



US00D722801S

(12) **United States Design Patent**
Tamura

(10) **Patent No.:** **US D722,801 S**
(45) **Date of Patent:** **** Feb. 24, 2015**

(54) **TABLE**

(71) Applicant: **Itoki Corporation**, Osaka-shi, Osaka
(JP)

(72) Inventor: **Motoki Tamura**, Kyoto (JP)

(73) Assignee: **Itoki Corporation**, Osaka-shi, Osaka
(JP)

(**) Term: **14 Years**

(21) Appl. No.: **29/454,225**

(22) Filed: **May 8, 2013**

(30) **Foreign Application Priority Data**

Nov. 9, 2012 (JP) 2012-027470

(51) **LOC (10) Cl.** **06-06**

(52) **U.S. Cl.**
USPC **D6/708**

(58) **Field of Classification Search**

USPC D6/708, 708.16, 709, 641, 642, 656,
D6/656.13; 108/50.01, 50.02, 152, 153.1,
108/156, 161; 248/188, 188.1, 188.8

See application file for complete search history.

(56) **References Cited**

U.S. PATENT DOCUMENTS

D308,444 S * 6/1990 Burdick D6/480
D644,046 S * 8/2011 Cronk D6/495

FOREIGN PATENT DOCUMENTS

JP 1443751 S 6/2012

* cited by examiner

Primary Examiner — Janice Seeger

(74) *Attorney, Agent, or Firm* — Drinker Biddle & Reath
LLP

(57) **CLAIM**

The ornamental design for the table, as shown and described.

DESCRIPTION

FIG. 1 is a perspective view of the front, top and left side of the table;

FIG. 2 is a perspective view of the front, bottom and left side thereof;

FIG. 3 is a front view thereof;

FIG. 4 is a rear view thereof;

FIG. 5 is a left side view thereof;

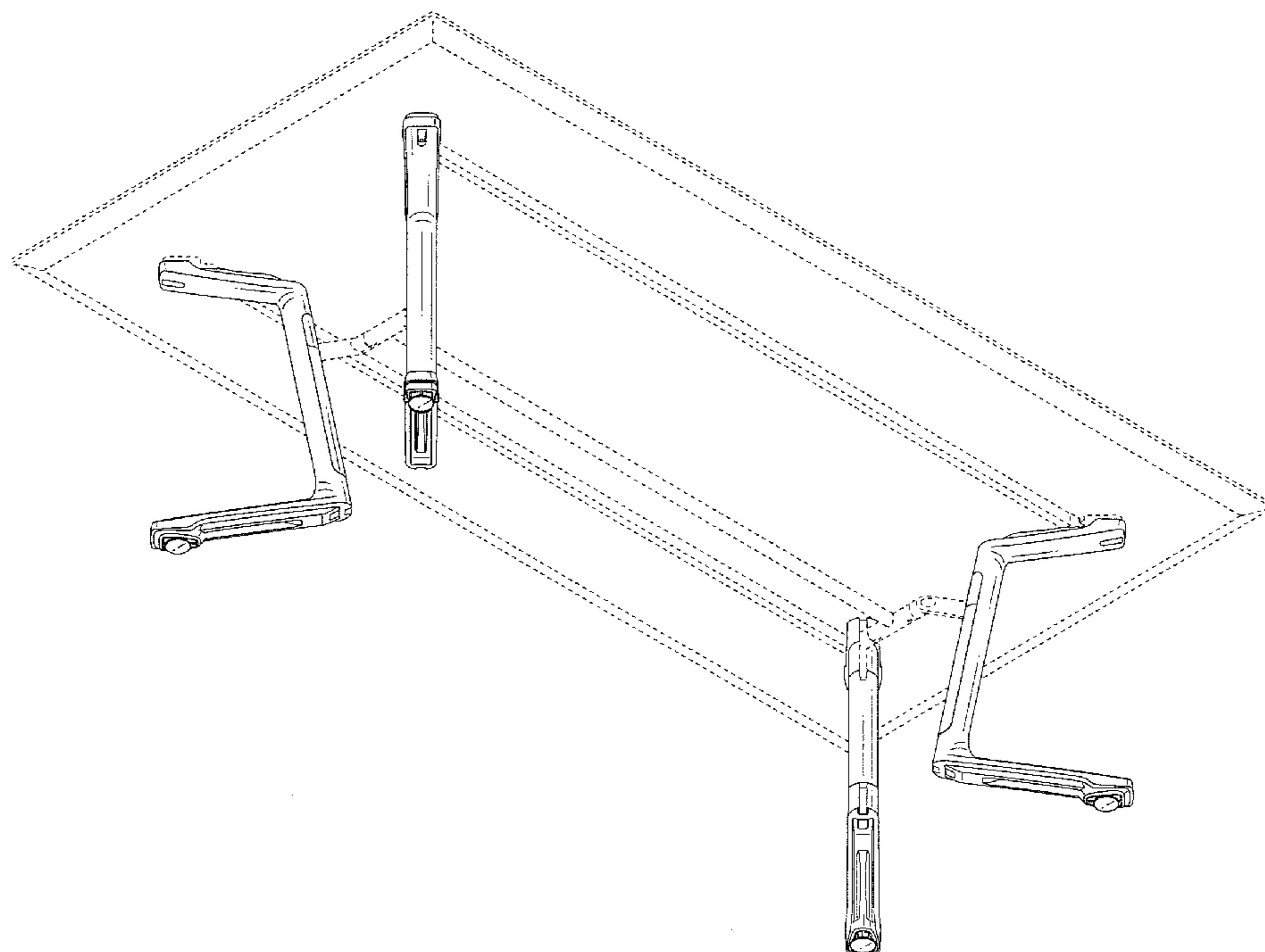
FIG. 6 is a right side view thereof;

FIG. 7 is a top plan view thereof; and,

FIG. 8 is a bottom view thereof.

The portions of the article in broken lines are shown for illustrative purposes only and form no part of the claimed design.

1 Claim, 7 Drawing Sheets



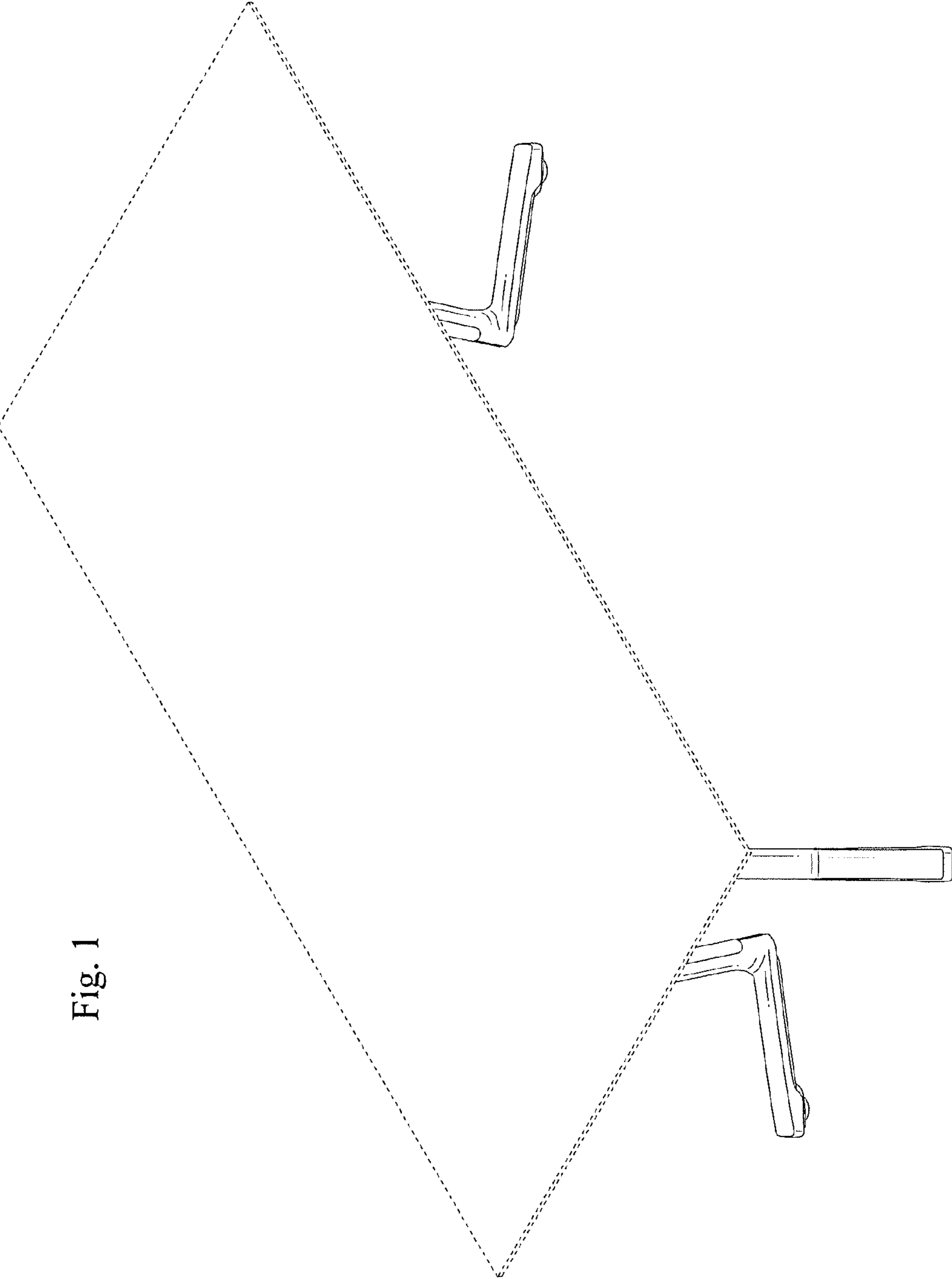


Fig. 1

Fig. 2

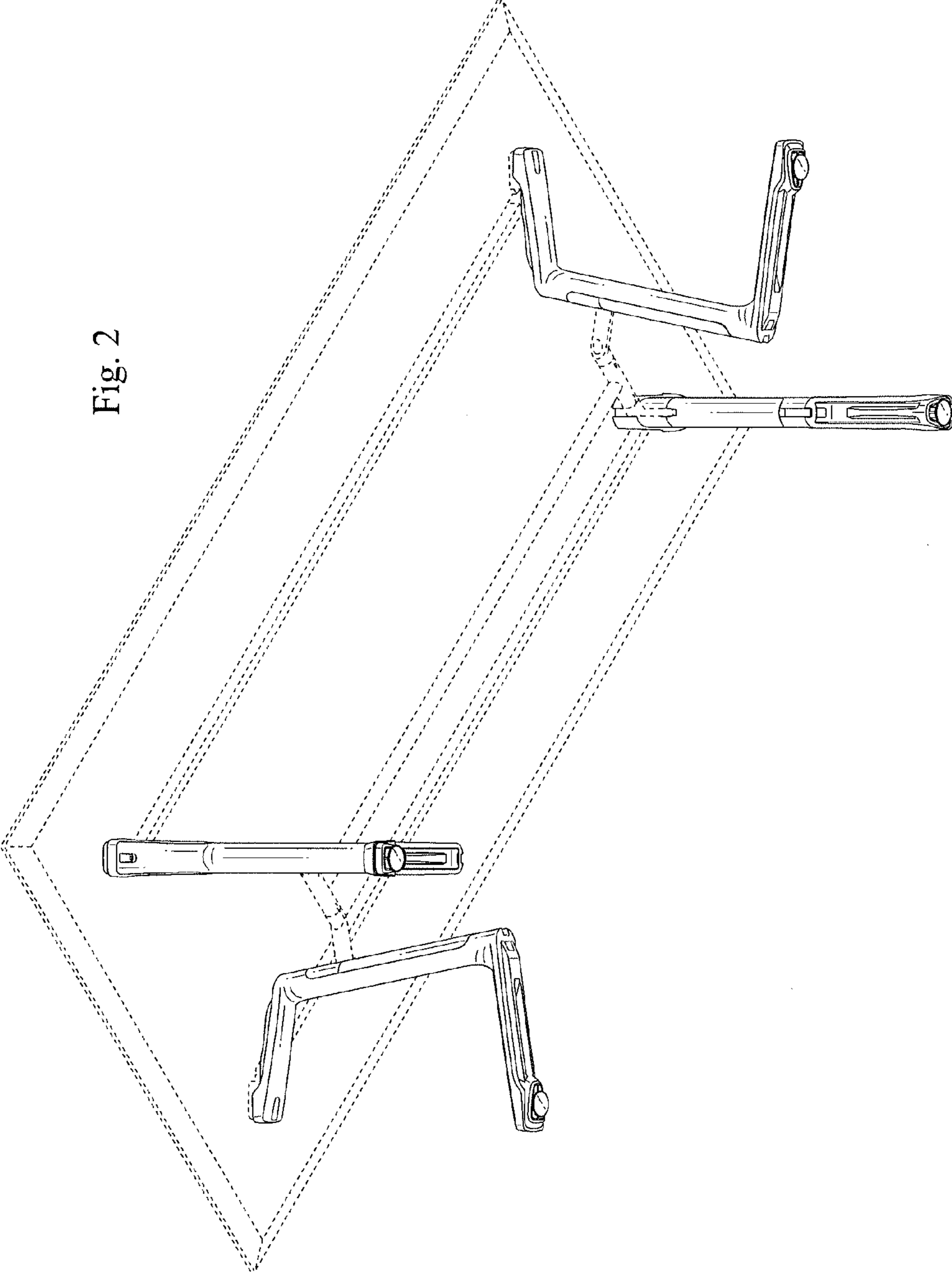


Fig. 3

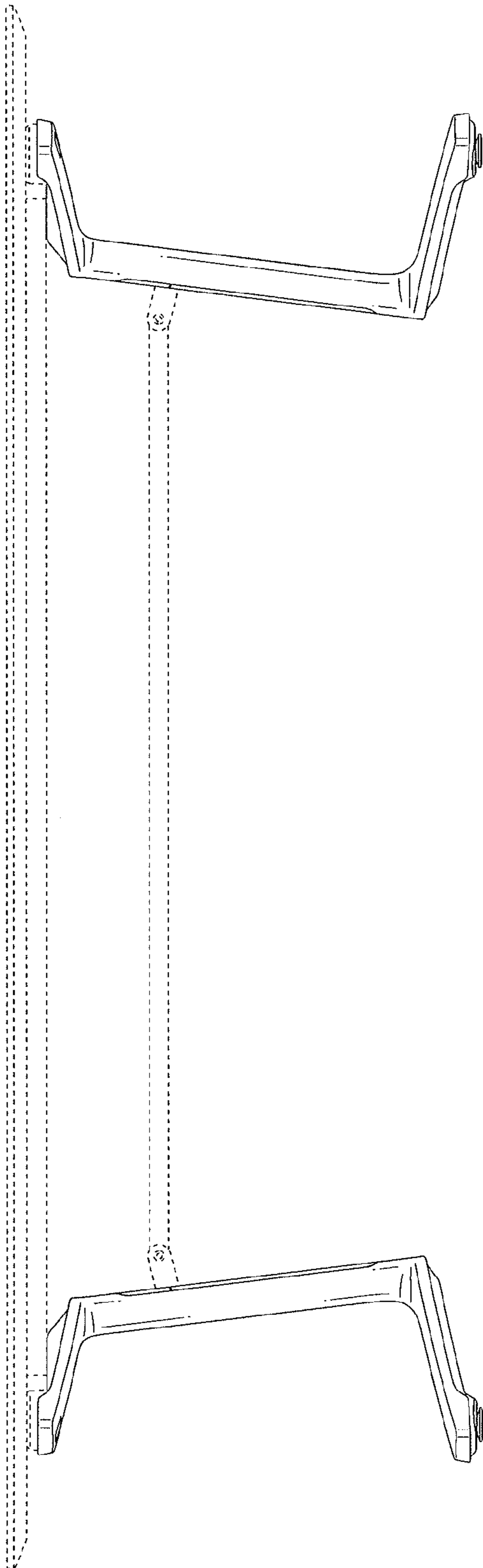


Fig. 4

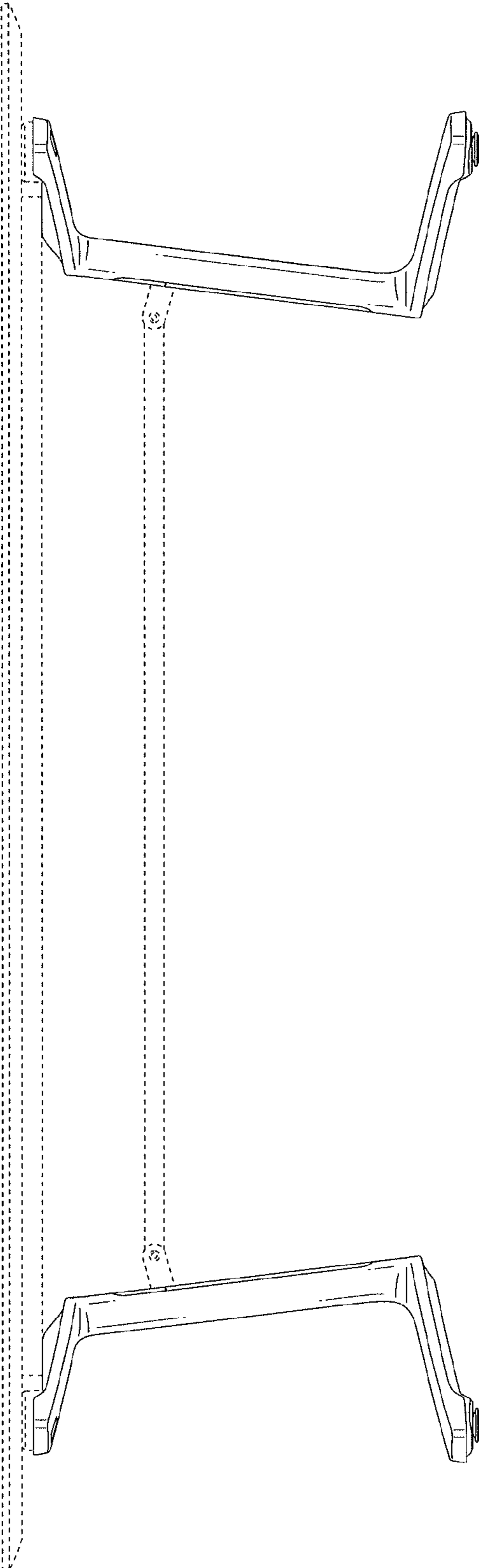


Fig. 6

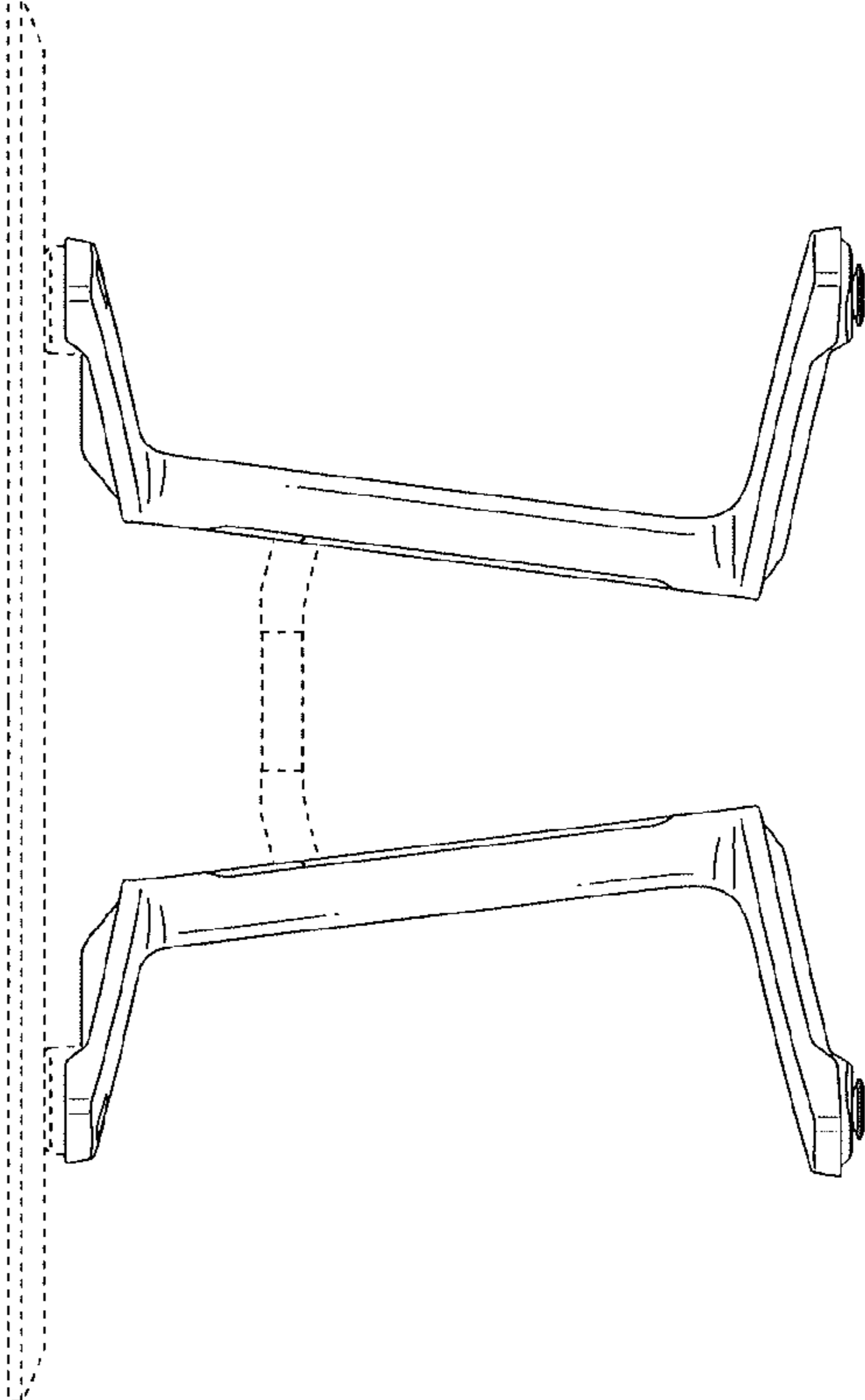


Fig. 5

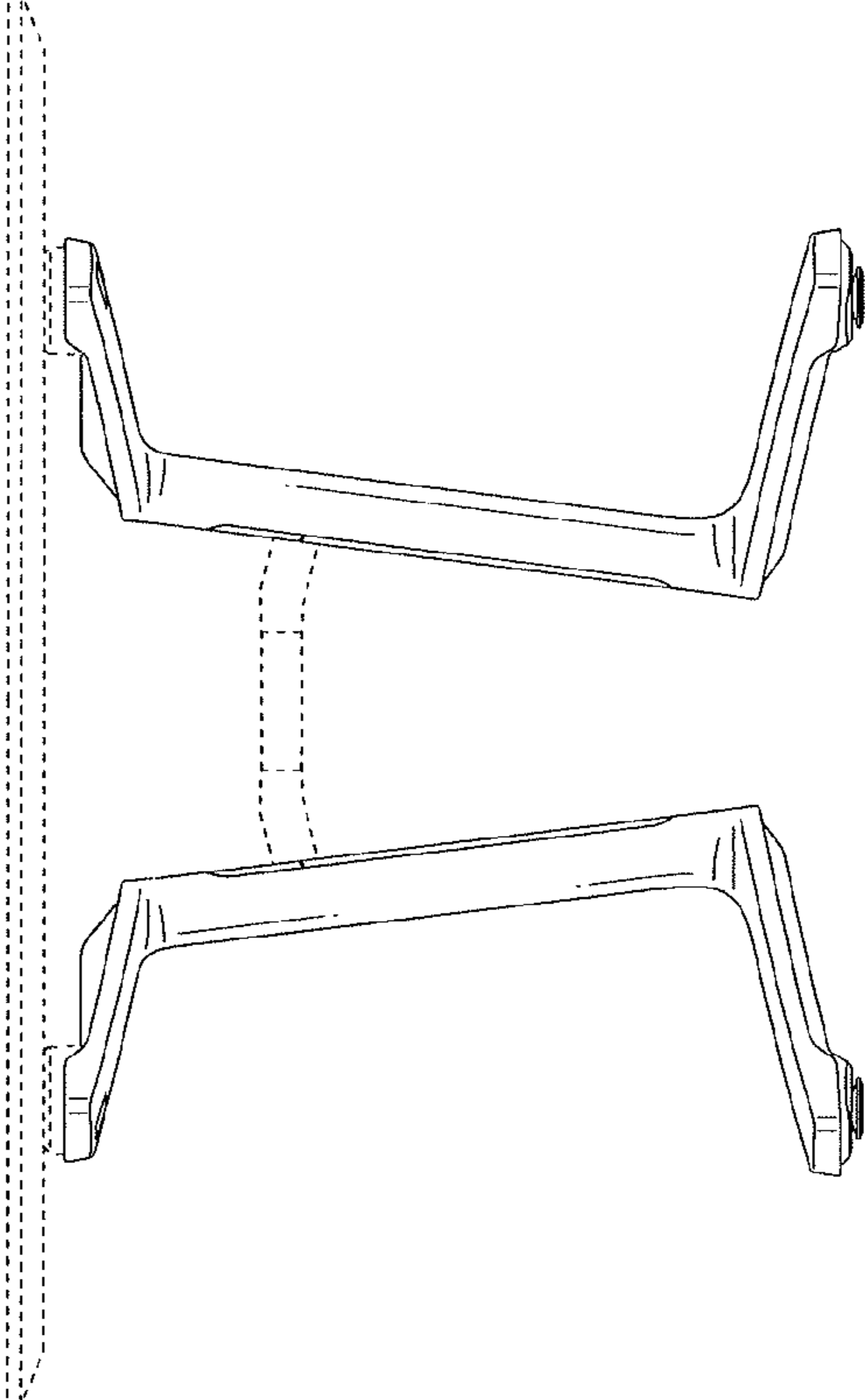


Fig. 7



Fig. 8

