



US00D722800S

(12) **United States Design Patent**
Krueger

(10) **Patent No.:** **US D722,800 S**

(45) **Date of Patent:** **** Feb. 24, 2015**

(54) **CABINET**

Primary Examiner — Ricky Pham

(71) Applicant: **Andrew J. Krueger**, Middleton, WI
(US)

(74) *Attorney, Agent, or Firm* — Boardman & Clark LLP

(72) Inventor: **Andrew J. Krueger**, Middleton, WI
(US)

(57) **CLAIM**

The ornamental design for a cabinet, as shown and described.

(**) Term: **14 Years**

DESCRIPTION

(21) Appl. No.: **29/477,181**

(22) Filed: **Dec. 19, 2013**

(51) **LOC (10) Cl.** **06-04**

(52) **U.S. Cl.**
USPC **D6/702**

(58) **Field of Classification Search**
USPC D6/648, 651–652, 657–661, 661.3,
D6/662.1, 663–664, 664.1, 667–668,
D6/668.2, 670–671, 671.1, 671.2,
D6/675.1–675.3, 681, 691.8, 694,
D6/702–703, 703.1–703.4, 705.5, 707;
D13/122; D15/85; 312/138.1,
312/203–205, 217, 224, 257.1, 265.3,
312/265.6, 293.2, 384.4

See application file for complete search history.

FIG. 1 is a front perspective view of the design of the cabinet according to one or more examples of embodiments;
FIG. 2 is a rear perspective view of the design of the cabinet shown in FIG. 1;
FIG. 3 is a front elevation view of the design of the cabinet shown in FIG. 1;
FIG. 4 is a rear elevation view of the design of the cabinet shown in FIG. 1;
FIG. 5 is a top plan view of the design of the cabinet shown in FIG. 1;
FIG. 6 is a bottom plan view of the design of the cabinet shown in FIG. 1;
FIG. 7 is a left side elevation view of the design of the cabinet shown in FIG. 1;
FIG. 8 is a right side elevation view of the design of the cabinet shown in FIG. 1;
FIG. 9 is a front perspective view of the design of the cabinet according to one or more alternative examples of embodiments; and,
FIG. 10 is a top plan view of the design of the cabinet shown in FIG. 9.

The broken lines (if any) are provided for illustrative purposes only and form no part of the claimed design. The claimed design is directed to one or more edges of the cabinet, and not to any hole or interior surface thereof. Further, the portions of the cabinet that are not shown in the drawings do not form any part of the claimed design.

(56) **References Cited**

U.S. PATENT DOCUMENTS

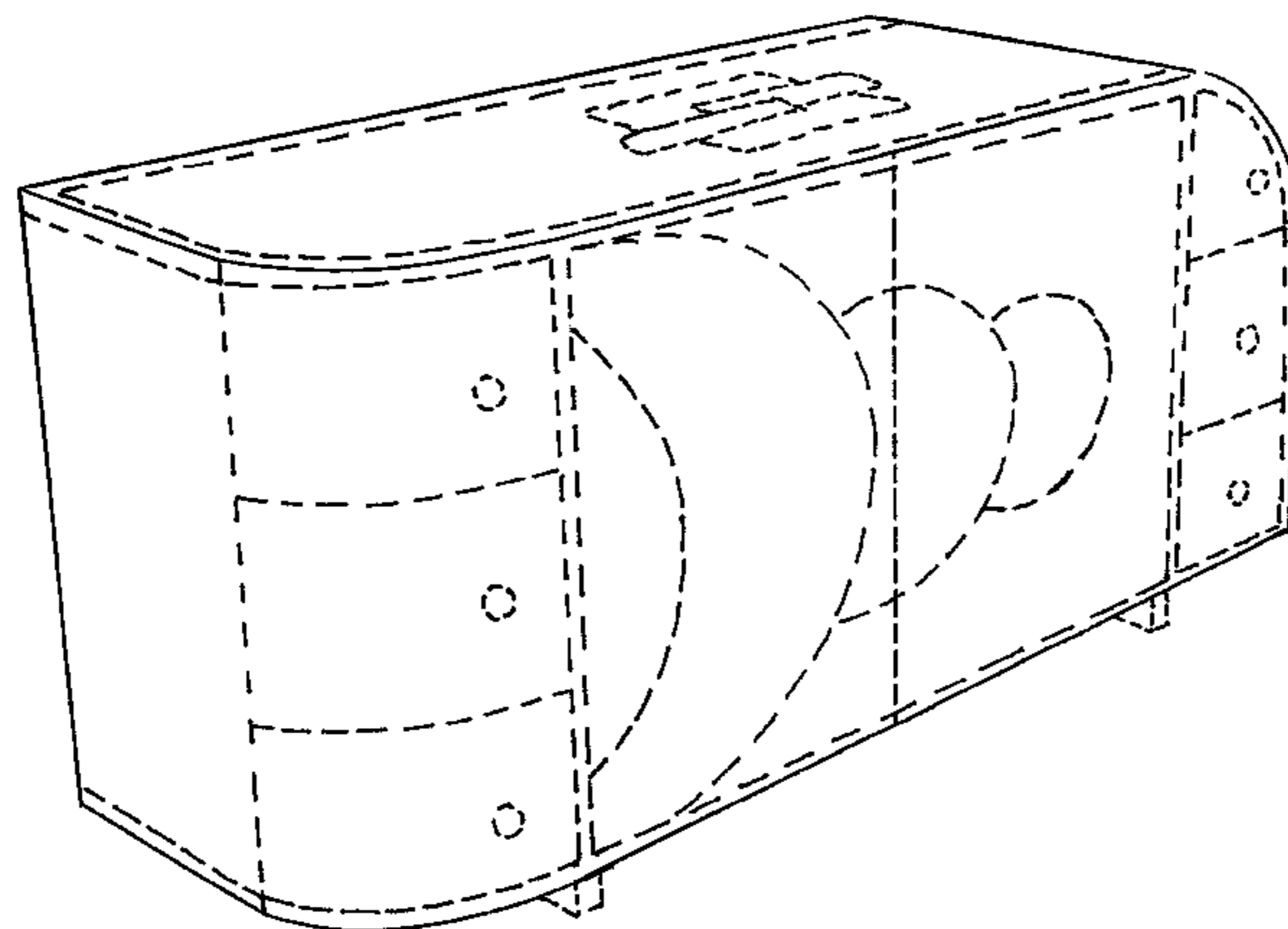
D278,010	S	*	3/1985	Ostrander	D6/472
D339,934	S	*	10/1993	Reuter	D6/441
D430,173	S	*	8/2000	Tombs	D15/85
D446,965	S	*	8/2001	Lopes	D6/441
D464,500	S	*	10/2002	Roberts	D6/422
D470,333	S	*	2/2003	Roberts	D6/422
D472,069	S	*	3/2003	Sedor et al.	D6/422
D522,770	S	*	6/2006	Easton	D6/436
D566,429	S	*	4/2008	Roberts	D6/477
D571,126	S	*	6/2008	Roberts	D6/477
D574,771	S	*	8/2008	Flanigan	D13/122
D586,151	S	*	2/2009	Roberts	D6/445
D634,562	S	*	3/2011	Bauchet	D6/436

OTHER PUBLICATIONS

Photograph of “deco radio”, date unknown.

* cited by examiner

1 Claim, 9 Drawing Sheets



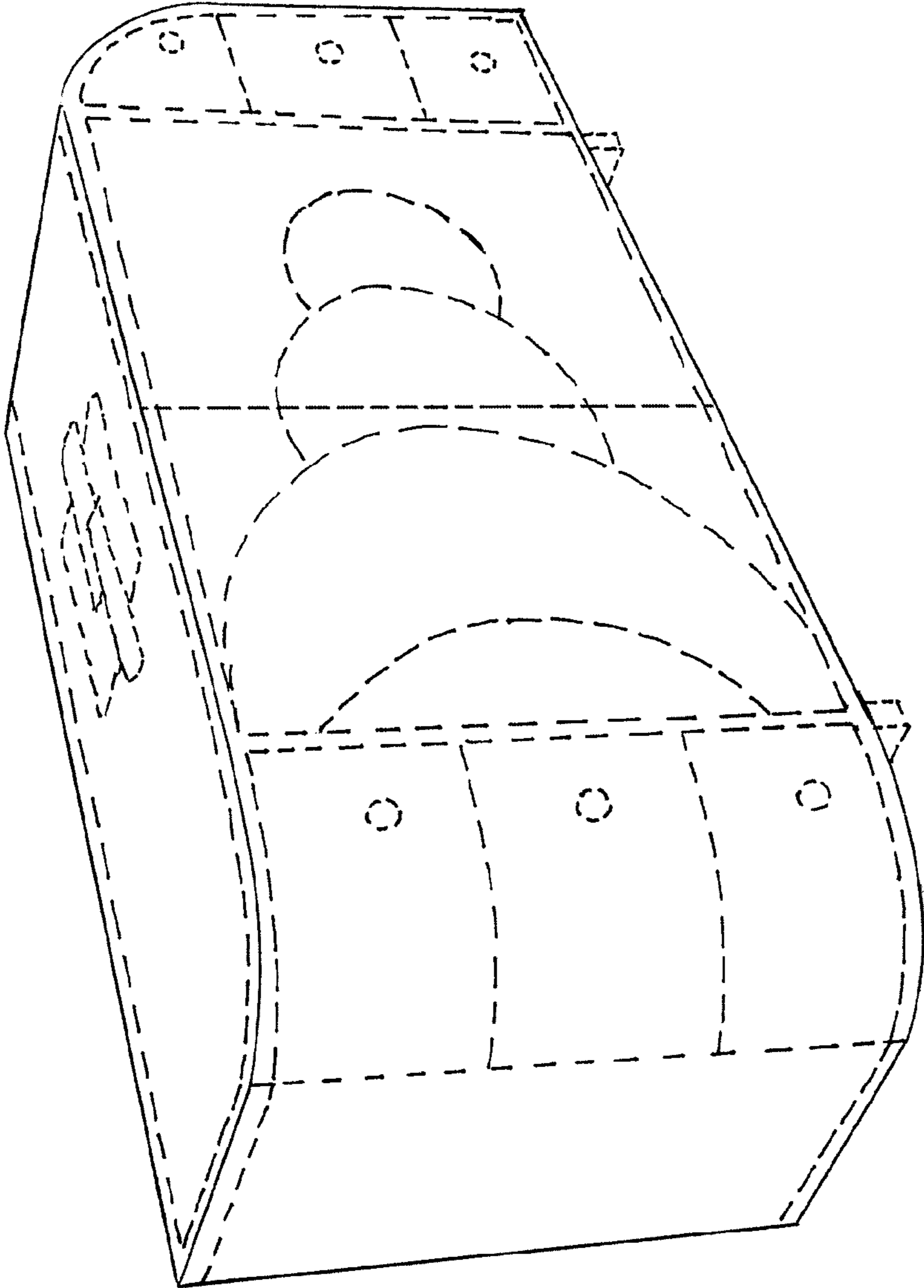


FIG. 1

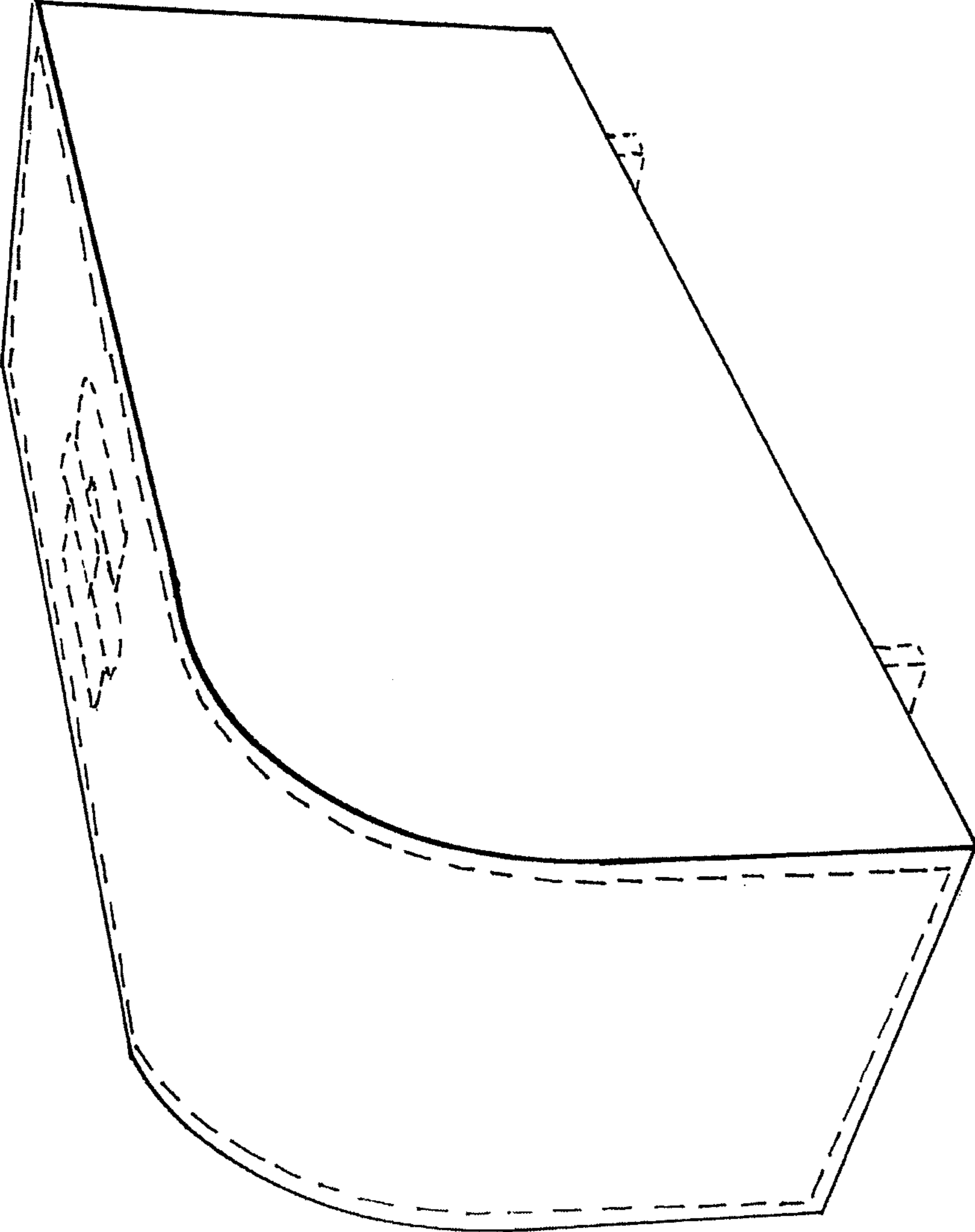


FIG. 2

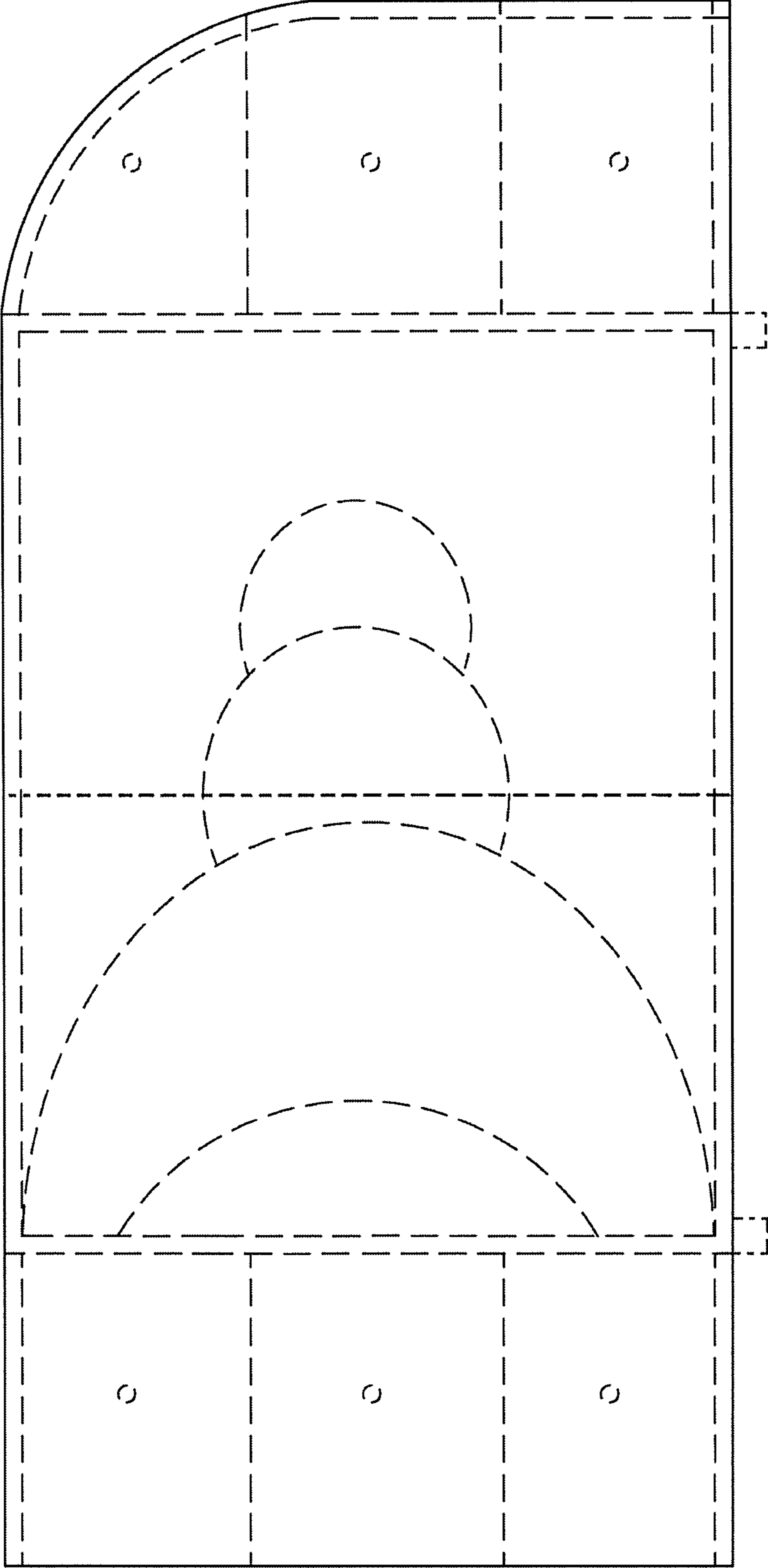


FIG. 3

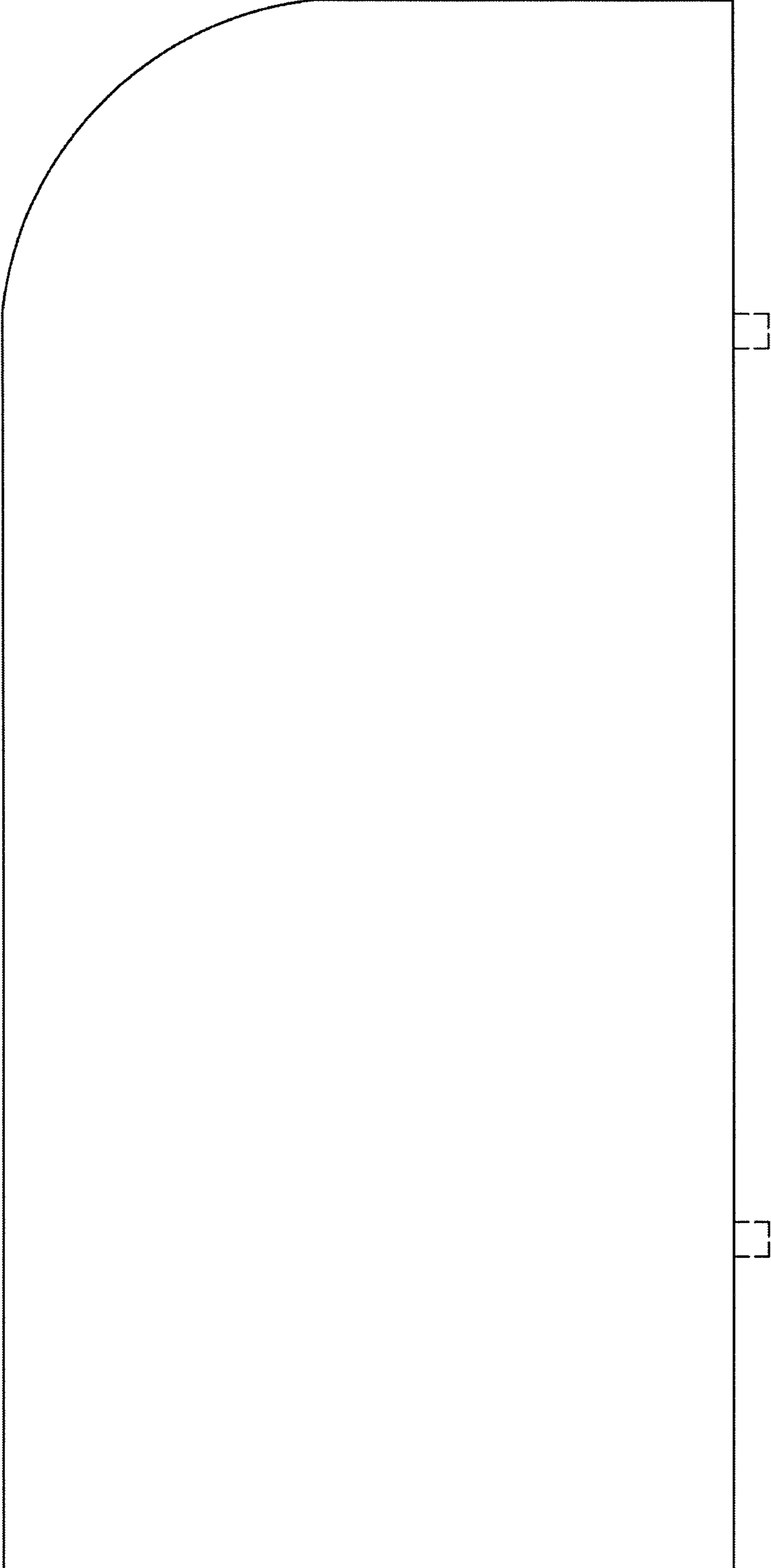


FIG. 4

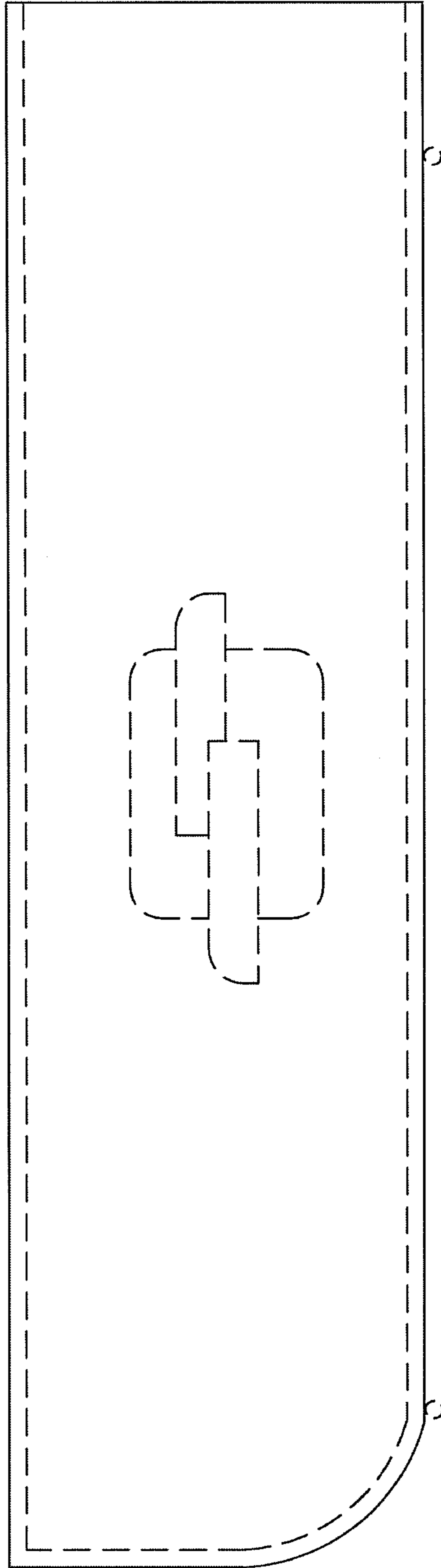


FIG. 5

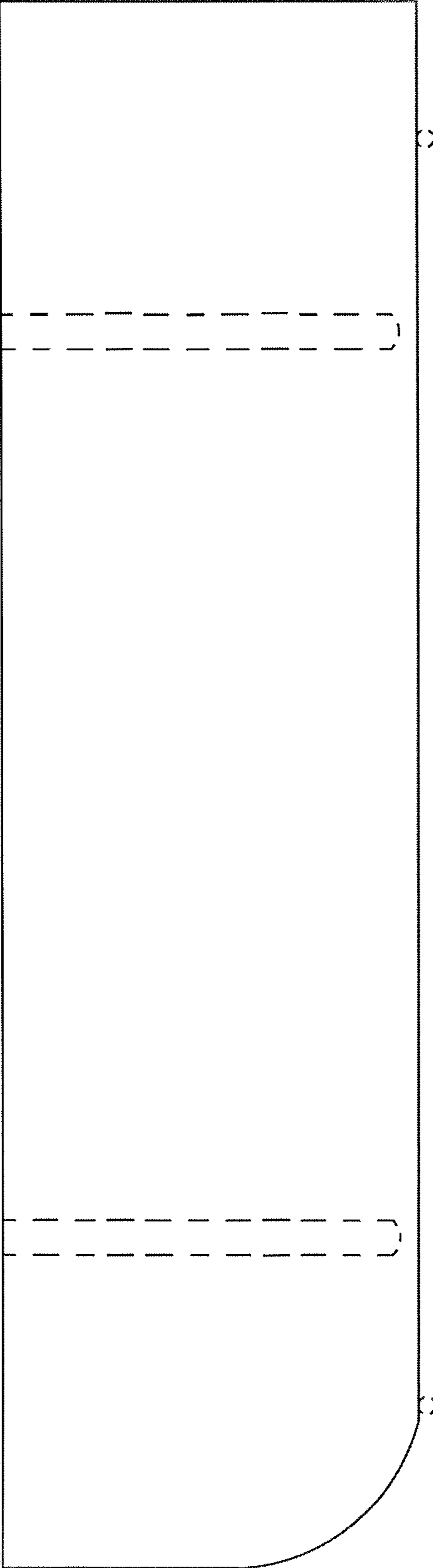


FIG. 6

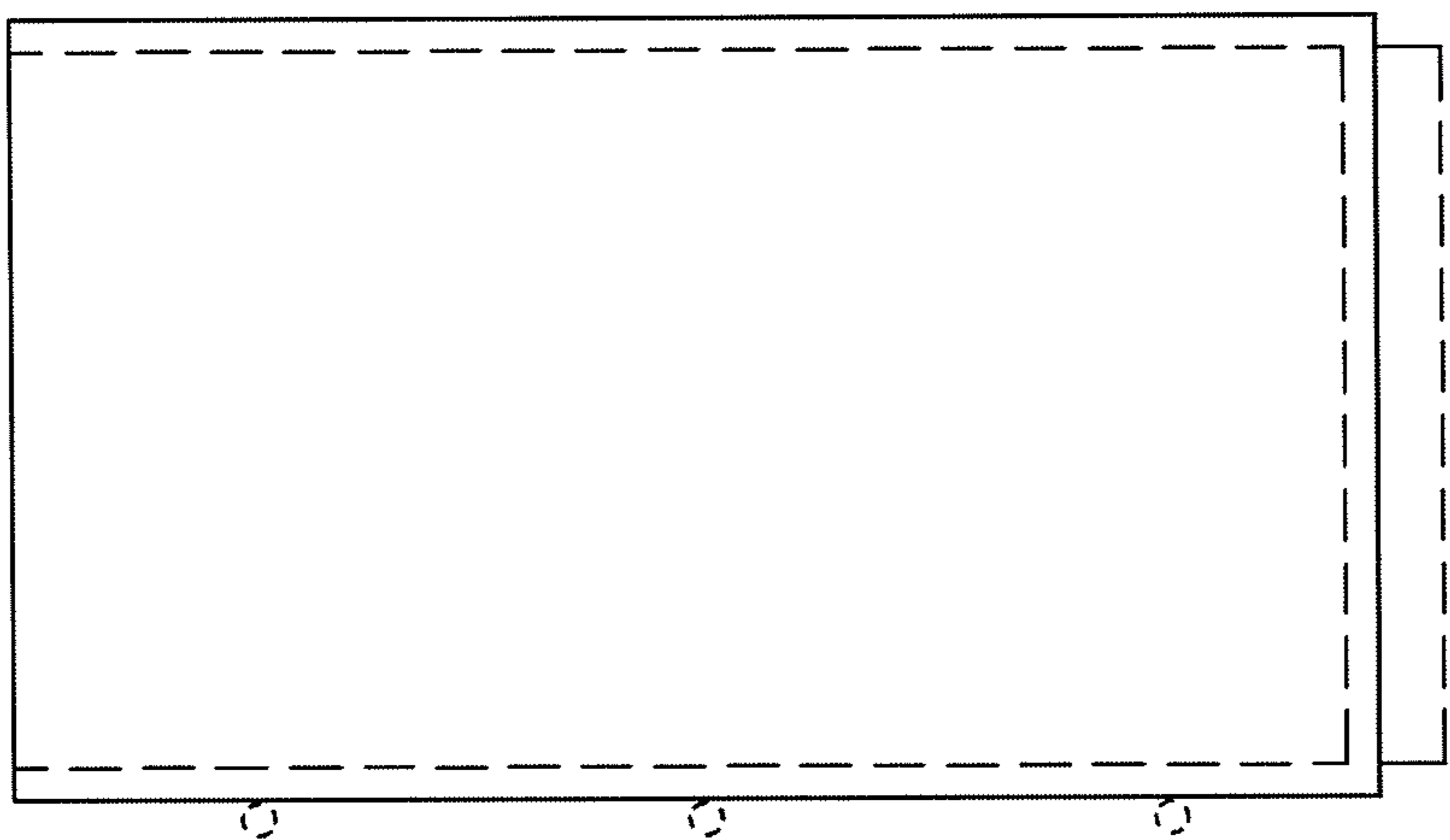


FIG. 8

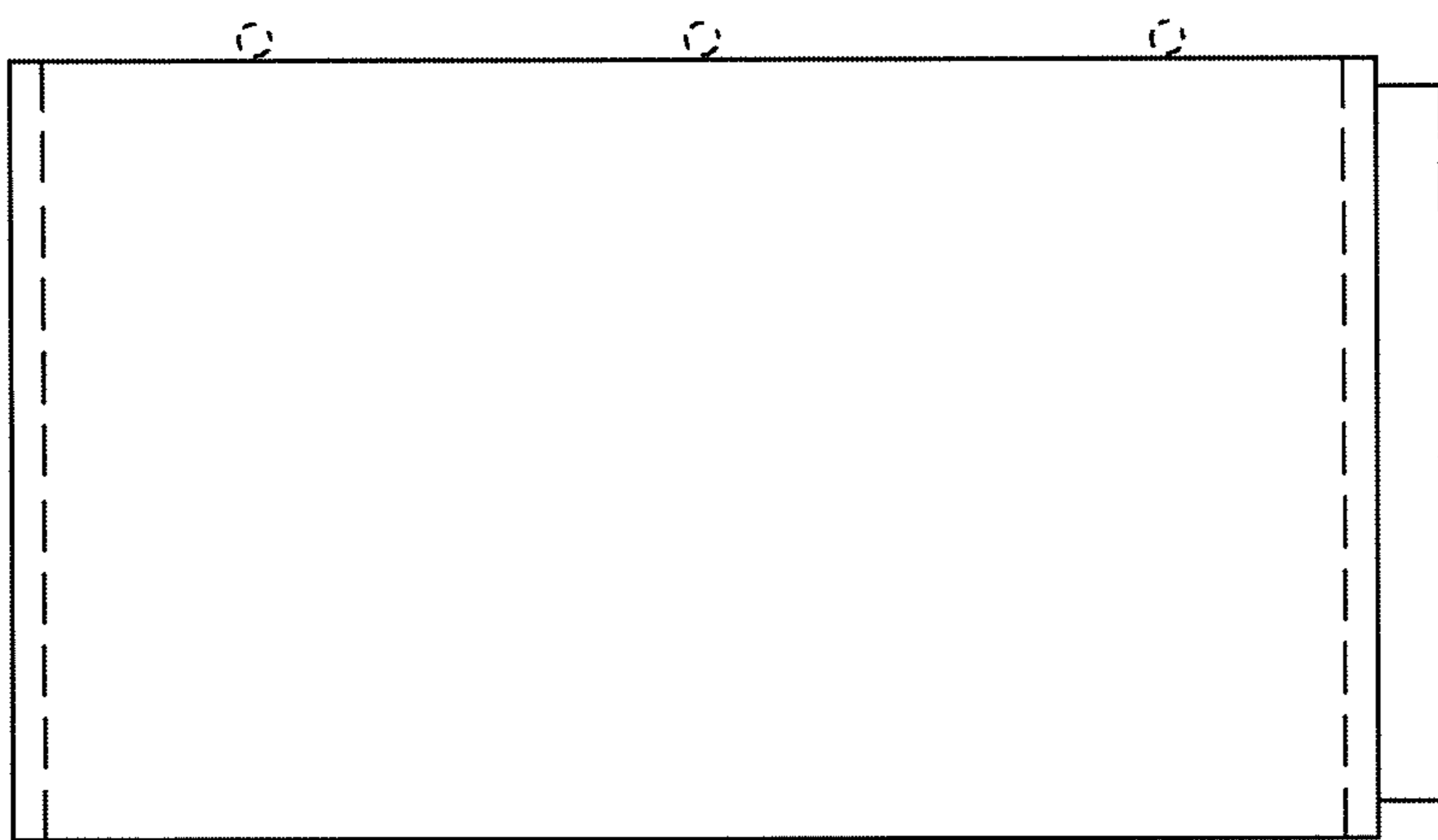


FIG. 7

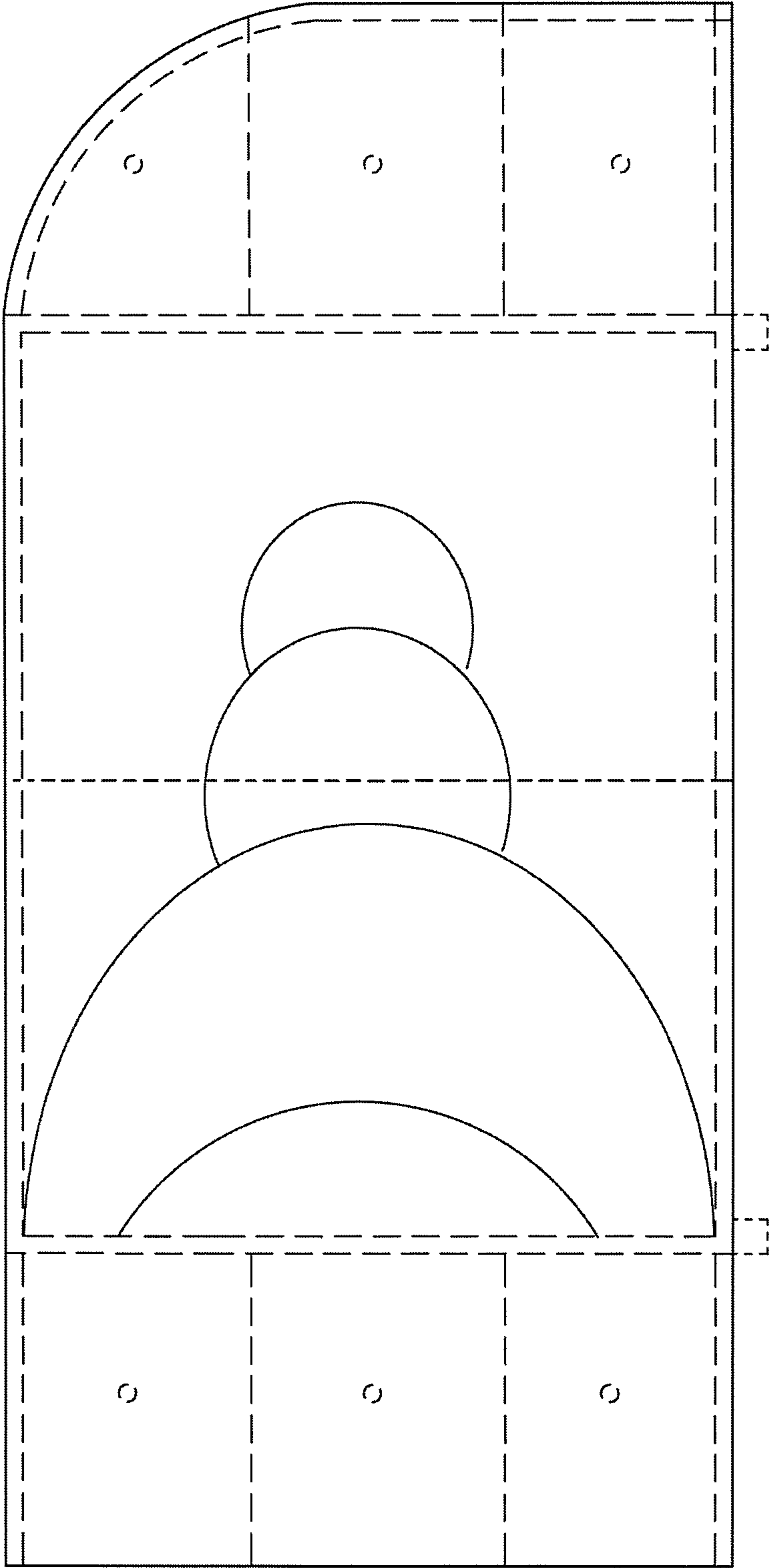


FIG. 9

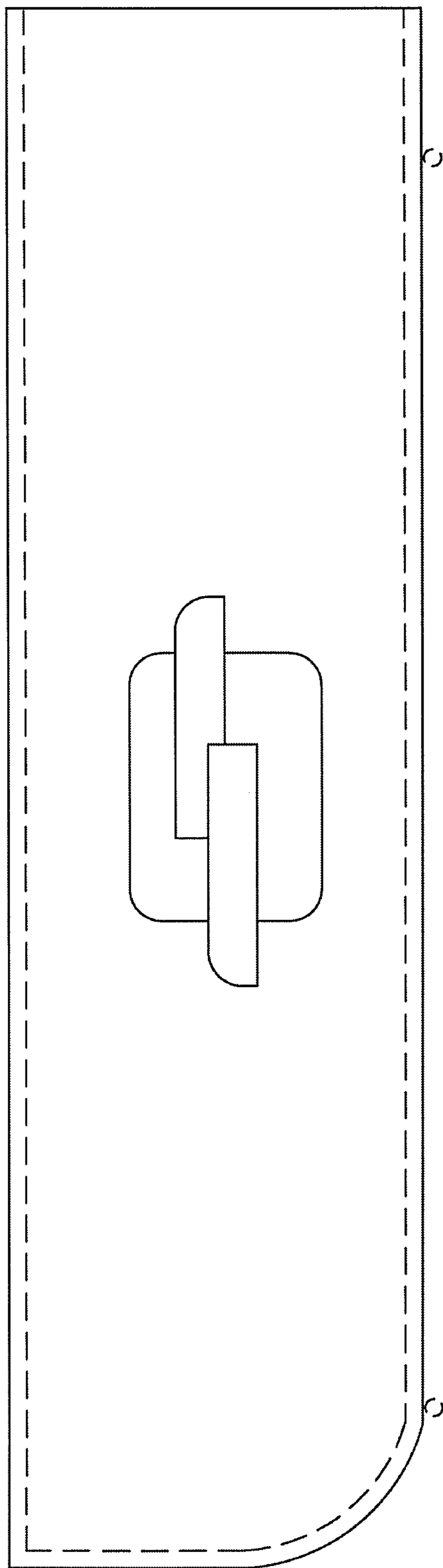


FIG. 10