



US00D722797S

(12) **United States Design Patent**
Plikat et al.

(10) **Patent No.:** **US D722,797 S**
(45) **Date of Patent:** **** Feb. 24, 2015**

- (54) **PARTITION AND PARTITION SURFACE**
- (71) Applicant: **Herman Miller, Inc.**, Zeeland, MI (US)
- (72) Inventors: **Claudia Plikat**, Berlin (DE); **Johann Burkhard Schmitz**, Berlin (DE); **Carola Eva Marianne Zwick**, Berlin (DE); **Roland Rolf Otto Zwick**, Berlin (DE)
- (73) Assignee: **Herman Miller, Inc.**, Zeeland, MI (US)
- (**) Term: **14 Years**
- (21) Appl. No.: **29/480,152**
- (22) Filed: **Jan. 23, 2014**

Related U.S. Application Data

- (62) Division of application No. 29/453,127, filed on Apr. 25, 2013, now Pat. No. Des. 699,989, which is a division of application No. 29/426,751, filed on Jul. 10, 2012, now Pat. No. Des. 683,159, which is a division of application No. 29/379,704, filed on Nov. 23, 2010, now Pat. No. Des. 665,196.

Foreign Application Priority Data

- Jun. 12, 2010 (DE) 40 2010 003 174
- (51) **LOC (10) Cl.** **06-04**
- (52) **U.S. Cl.**
USPC **D6/682.4**
- (58) **Field of Classification Search**
USPC D6/468; 312/11, 125, 135;
211/128–129, 131, 163, 50, 189, 58;
D19/75, 78, 90–61; 40/124.2, 776,
40/761, 657, 729, 771; 248/450, 473
See application file for complete search history.

(56) **References Cited**

U.S. PATENT DOCUMENTS

D53,058 S * 3/1919 Weinberg D6/455
1,647,889 A 11/1927 Saunders

(Continued)

FOREIGN PATENT DOCUMENTS

DE 2345934 A1 3/1975
DE 202004008322 U1 7/2004

(Continued)

OTHER PUBLICATIONS

Apartment Therapy, "Good Questions: Stepped Room Divider?", 1 page.

(Continued)

Primary Examiner — Robert Delehanty

(74) *Attorney, Agent, or Firm* — Brinks Gilson & Lione

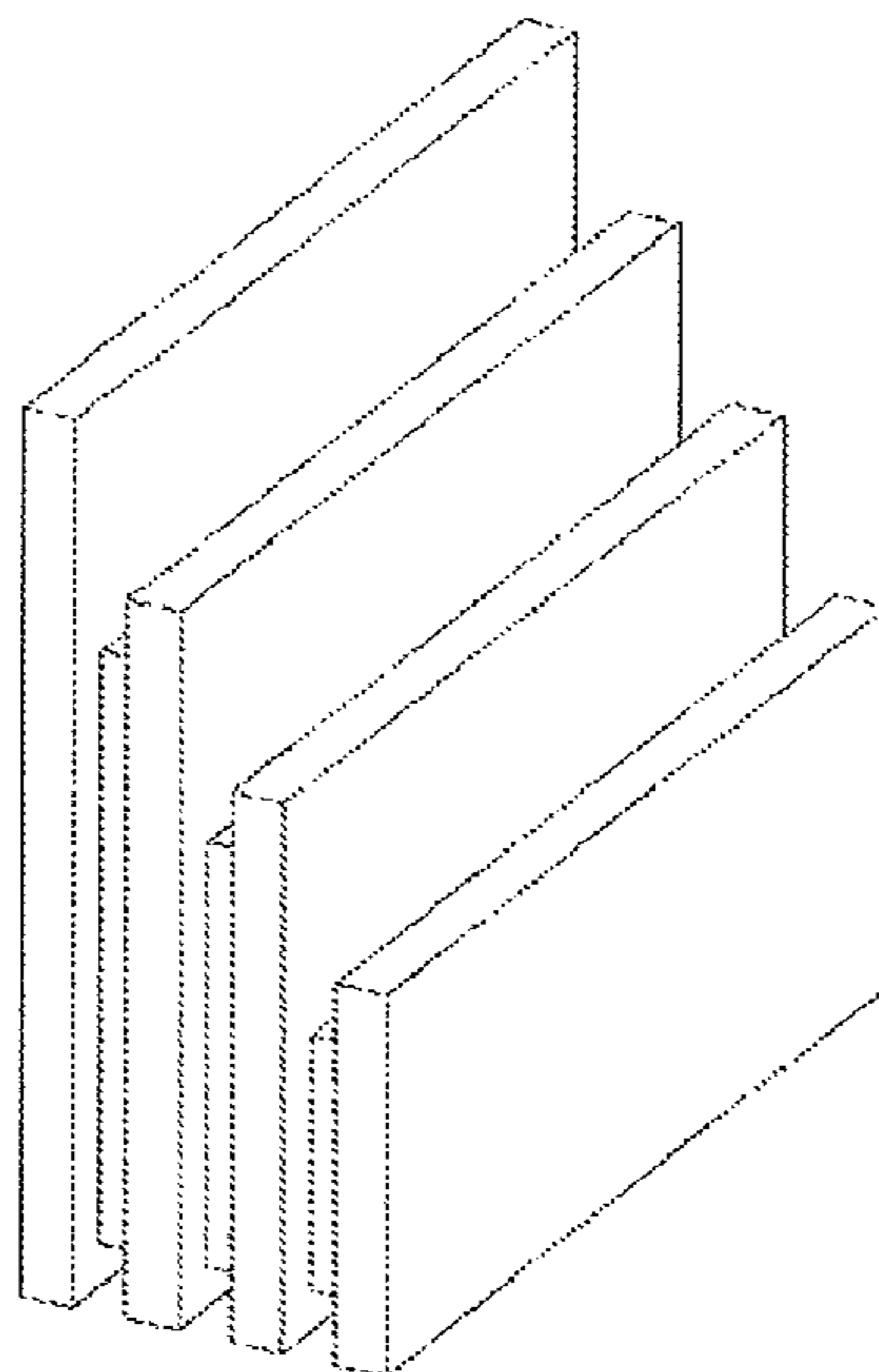
(57) **CLAIM**

The ornamental design for a partition and partition surface(s), as shown and described.

DESCRIPTION

FIG. 1 is a perspective view of a partition;
FIG. 2 is a front view of the partition shown in FIG. 1;
FIG. 3 is a rear view of the partition shown in FIG. 1;
FIG. 4 is a left side view of the partition shown in FIG. 1;
FIG. 5 is a right side view of the partition shown in FIG. 1;
FIG. 6 is a top view of the partition shown in FIG. 1;
FIG. 7 is a bottom view of the partition shown in FIG. 1;
FIG. 8 is a second perspective view of partition shown in FIG. 1; and,
FIG. 9 is a third perspective view of partition shown in FIG. 1.

1 Claim, 3 Drawing Sheets



(56)

References Cited

U.S. PATENT DOCUMENTS

1,694,520 A 12/1928 Sturdavant
 1,720,136 A 7/1929 Neumann
 D82,098 S 9/1930 Marsh
 D86,761 S 4/1932 Brooks
 D98,297 S 1/1936 Early
 2,129,396 A 9/1938 Archer
 D115,351 S * 6/1939 Rask D6/455
 D140,244 S * 2/1945 Wenyss D6/466
 D144,591 S * 4/1946 Schutes D6/424
 D157,082 S 1/1950 Patton
 D161,333 S * 12/1950 Gooken D6/455
 D180,106 S 4/1957 Seifert
 2,889,055 A 6/1959 Weller et al.
 D189,171 S * 11/1960 Ensign D6/457
 D189,245 S * 11/1960 Hunting, Sr. D6/424
 3,171,543 A 3/1965 Nelson et al.
 D211,546 S * 6/1968 Reibold D6/455
 D211,548 S * 6/1968 Hayes D6/466
 D212,267 S * 9/1968 Dreyfuss D6/457
 3,519,320 A 7/1970 Freedman
 3,811,728 A 5/1974 Redemske
 D232,142 S * 7/1974 Spydevold D6/457
 D233,579 S * 11/1974 Lindbo D6/457
 3,871,435 A * 3/1975 Lopatka D6/332
 D240,098 S * 6/1976 Juhlin D6/455
 D246,323 S * 11/1977 Kirk D6/332
 D253,152 S * 10/1979 Berlic D6/424
 4,203,239 A 5/1980 Williams et al.
 4,325,597 A 4/1982 Morrison
 D265,701 S * 8/1982 Colquhoun D6/424
 D266,210 S * 9/1982 Hannecke D6/509
 D272,834 S 2/1984 Moore
 4,460,097 A 7/1984 Darnell et al.
 4,534,473 A * 8/1985 Post 211/58
 D281,209 S 11/1985 Burns
 4,579,399 A * 4/1986 Poltash D6/450
 D299,990 S * 2/1989 Everett D6/415
 D300,489 S * 4/1989 Antonellis D6/466
 D301,189 S 5/1989 Wallace
 4,876,835 A 10/1989 Kelley et al.
 4,925,038 A 5/1990 Gajewski
 5,016,405 A * 5/1991 Lee D6/421
 D319,361 S 8/1991 Moser
 5,038,539 A 8/1991 Kelley et al.
 D327,385 S * 6/1992 Allen D6/474
 D334,306 S * 3/1993 Breen D6/455
 5,287,666 A 2/1994 Frascaroli et al.
 5,392,575 A * 2/1995 Hoffman et al. D25/138
 D358,067 S * 5/1995 Graves D6/466
 5,423,597 A 6/1995 Rogers
 D368,388 S * 4/1996 Schainholz D6/423
 5,553,934 A 9/1996 Wells et al.
 5,715,633 A 2/1998 Raz et al.
 D395,367 S * 6/1998 DePottay et al. D6/455
 D397,561 S * 9/1998 DePottay et al. D6/455
 5,836,112 A 11/1998 Lindale et al.
 5,857,742 A 1/1999 Karl et al.
 5,915,571 A 6/1999 Czalkiewicz et al.
 5,938,048 A 8/1999 Carroll et al.
 D415,580 S * 10/1999 Keating et al. D25/138
 5,983,574 A 11/1999 Holztrager

6,052,958 A 4/2000 Miedema et al.
 6,105,796 A 8/2000 Buchanan et al.
 6,138,583 A 10/2000 Mahone et al.
 D435,181 S * 12/2000 Brozak, Jr. D6/455
 D435,865 S * 1/2001 La Greca D6/455
 6,427,853 B2 8/2002 Brozak, Jr.
 6,460,470 B1 10/2002 Scharer et al.
 D492,964 S * 7/2004 Kuehl et al. D19/75
 D494,776 S * 8/2004 Metz D6/457
 6,851,226 B2 2/2005 MacGregor et al.
 6,929,131 B1 8/2005 Landi
 D520,263 S * 5/2006 Nobles et al. D6/421
 7,051,482 B2 5/2006 MacDonald et al.
 D526,819 S * 8/2006 Lee et al. D6/476
 D527,207 S * 8/2006 Lee et al. D6/476
 7,213,885 B2 5/2007 White, III et al.
 D551,002 S * 9/2007 Snell D6/525
 D559,564 S * 1/2008 Bakker et al. D6/332
 7,347,493 B2 3/2008 Mulmed
 D571,577 S * 6/2008 Van Es D6/460
 D572,042 S * 7/2008 Suzuki D6/457
 D572,043 S * 7/2008 Suzuki D6/457
 D575,556 S * 8/2008 Rohkar, Jr. D6/466
 7,461,484 B2 12/2008 Battey et al.
 D590,635 S * 4/2009 Beckerman D6/475
 D591,987 S * 5/2009 Thompson D6/509
 7,540,115 B2 6/2009 Metcalf et al.
 D605,425 S * 12/2009 Kelly D6/457
 D605,876 S * 12/2009 Linder D6/476
 D611,270 S * 3/2010 Castillo Higareda D6/475
 D613,079 S * 4/2010 Tsuchiyama D6/332
 D613,080 S * 4/2010 Tsuchiyama D6/332
 D613,966 S * 4/2010 Staw et al. D6/476
 D622,077 S * 8/2010 Nash D6/396
 7,775,379 B2 8/2010 Hodge
 D624,334 S * 9/2010 Linder D6/476
 D625,528 S * 10/2010 Sprague D6/449
 D629,228 S * 12/2010 Allman et al. D6/455
 D642,814 S * 8/2011 Pensi et al. D6/332
 2005/0144883 A1 7/2005 Hopson et al.

FOREIGN PATENT DOCUMENTS

DK 128131 B 3/1974
 EP 0 030 510 A2 6/1981
 FR 2 918 089 A1 1/2009
 JP 2001-197981 A 7/2001
 NL 1018730 C1 2/2003
 NL 1033119 C2 6/2008
 WO WO 98/04790 A1 2/1998
 WO WO 98/54688 A1 12/1998

OTHER PUBLICATIONS

Bookcase Superstore, "Guidecraft Book Display Children Bookcases", © 1997-2009, Mercantila, Inc., 6 pages.
 Our House Ideas, "Rustic Step Shelf", Fact Sheets, 1 page.
 Office Action from counterpart Japanese Application No. 2011-012212, dated Dec. 27, 2011 with English translation and prior art dated Mar. 1, 2007 pictured on p. 2, 3 pages.
 International Search Report for International Application No. PCT/DE2010/001059, dated Feb. 23, 2011, 2 pages.

* cited by examiner

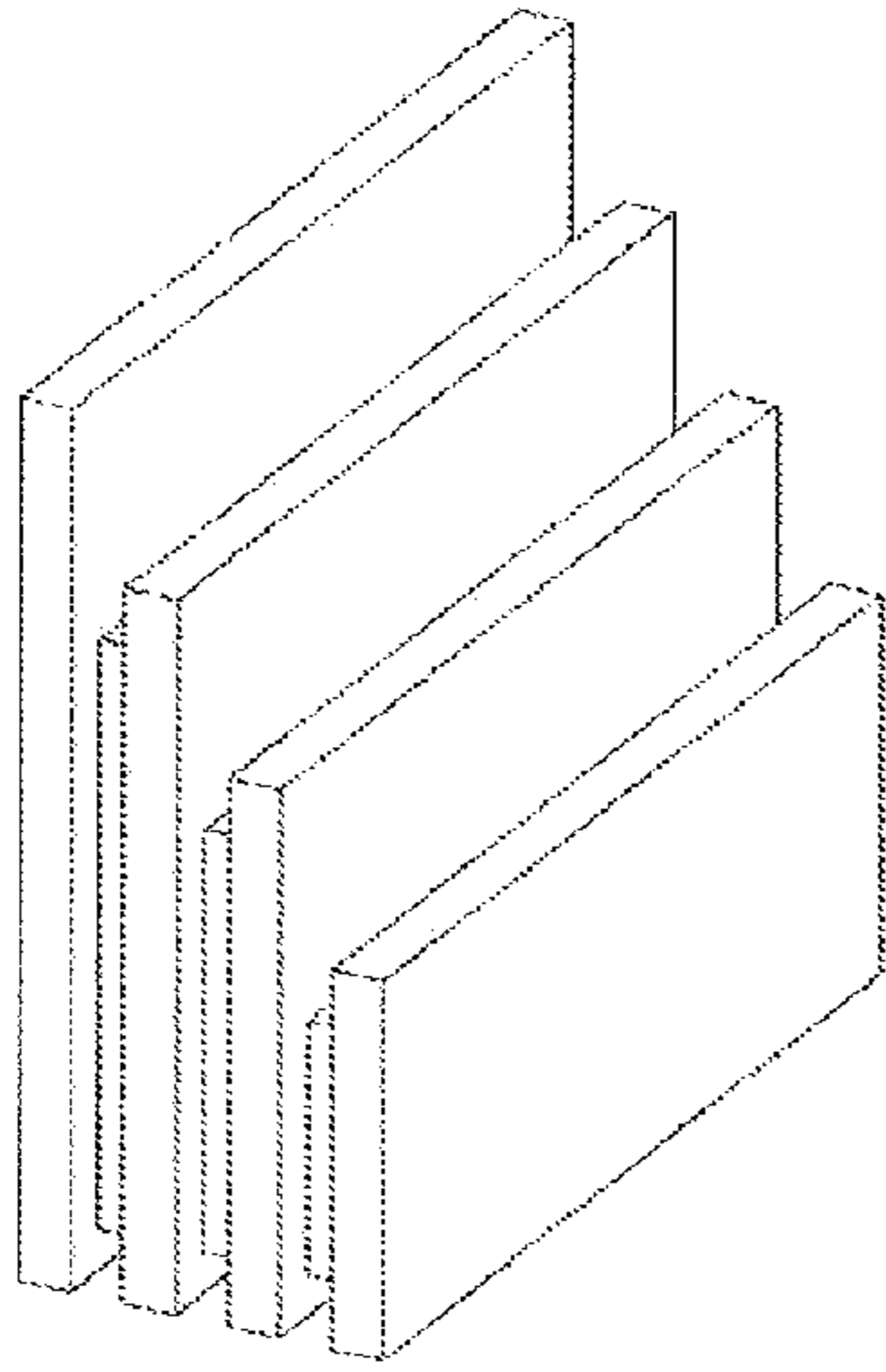


FIG. 1

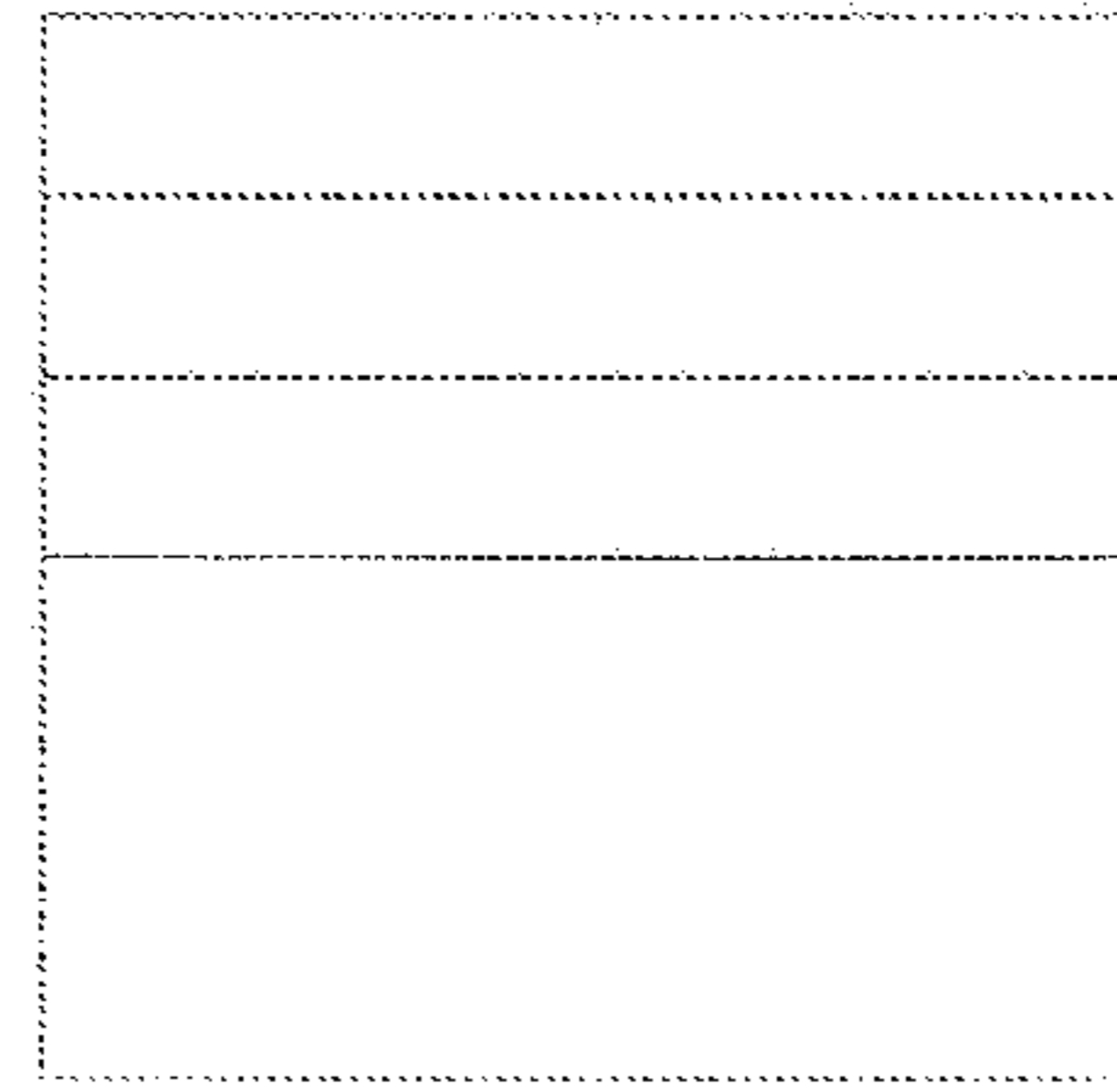


FIG. 2

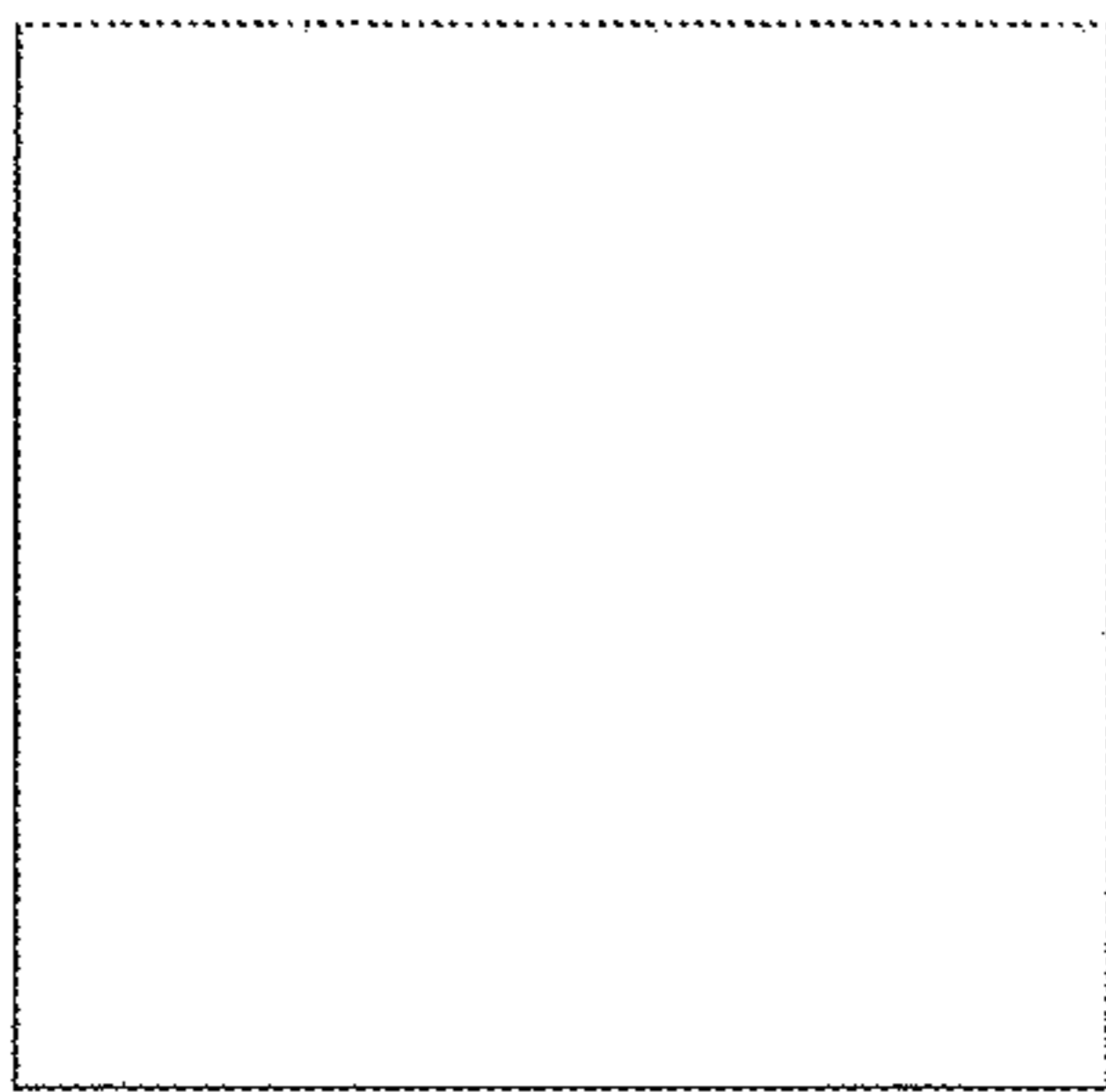


FIG. 3

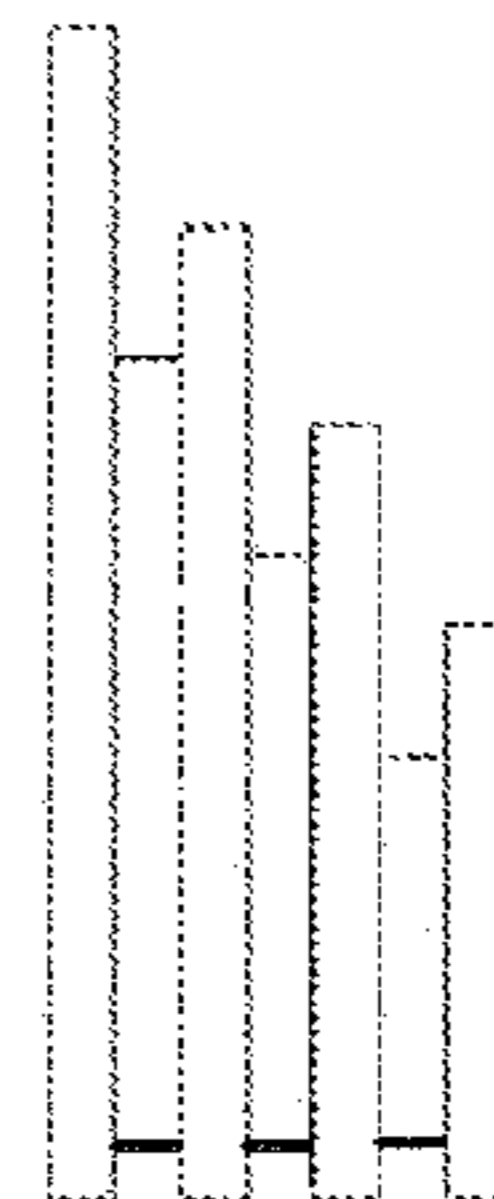


FIG. 4

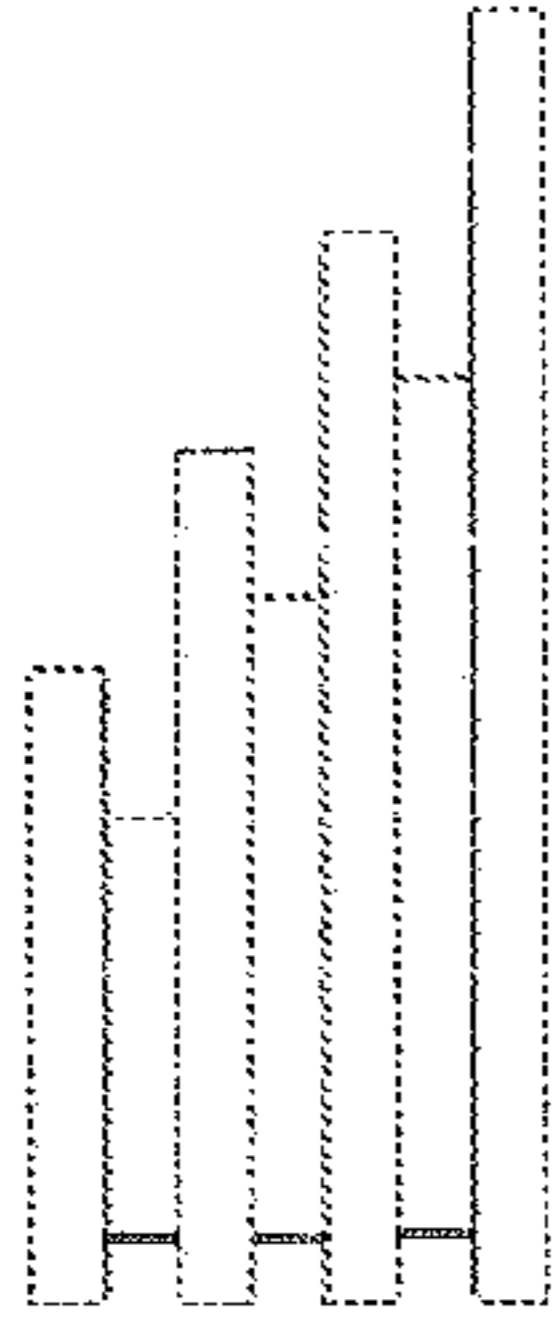


FIG. 5

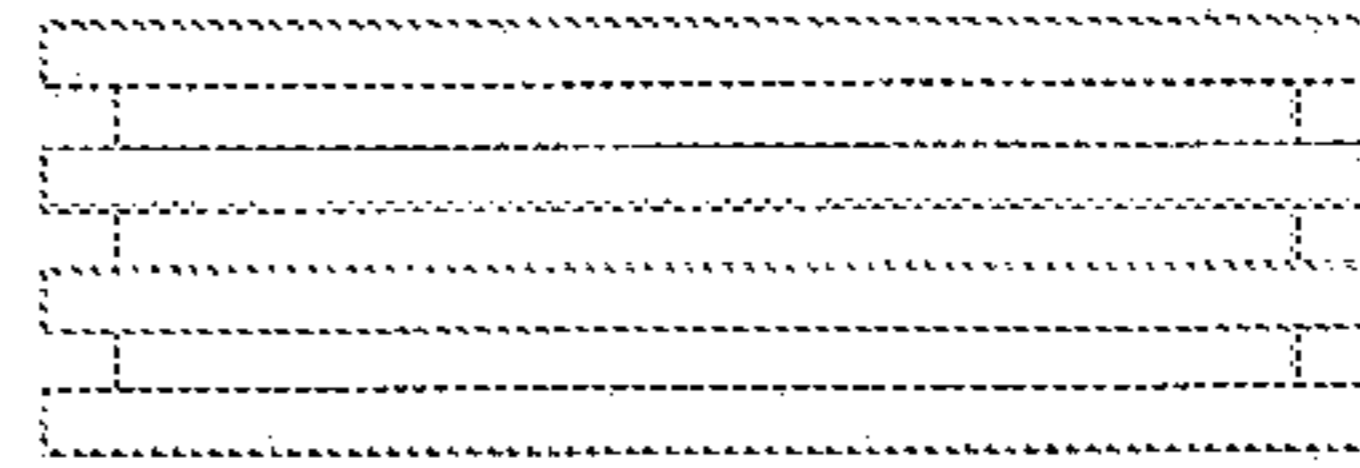


FIG. 6

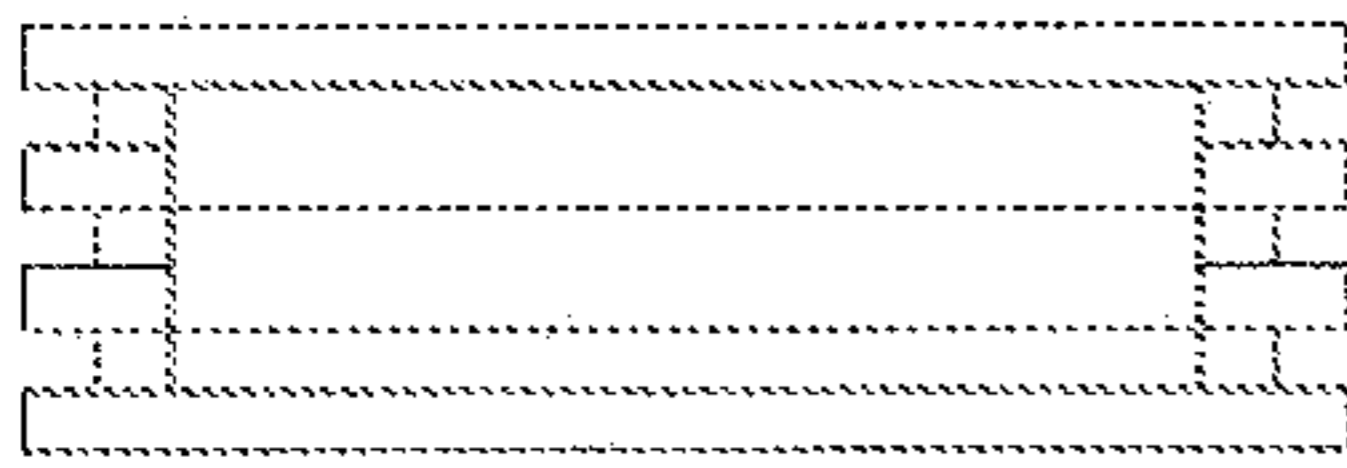


FIG. 7

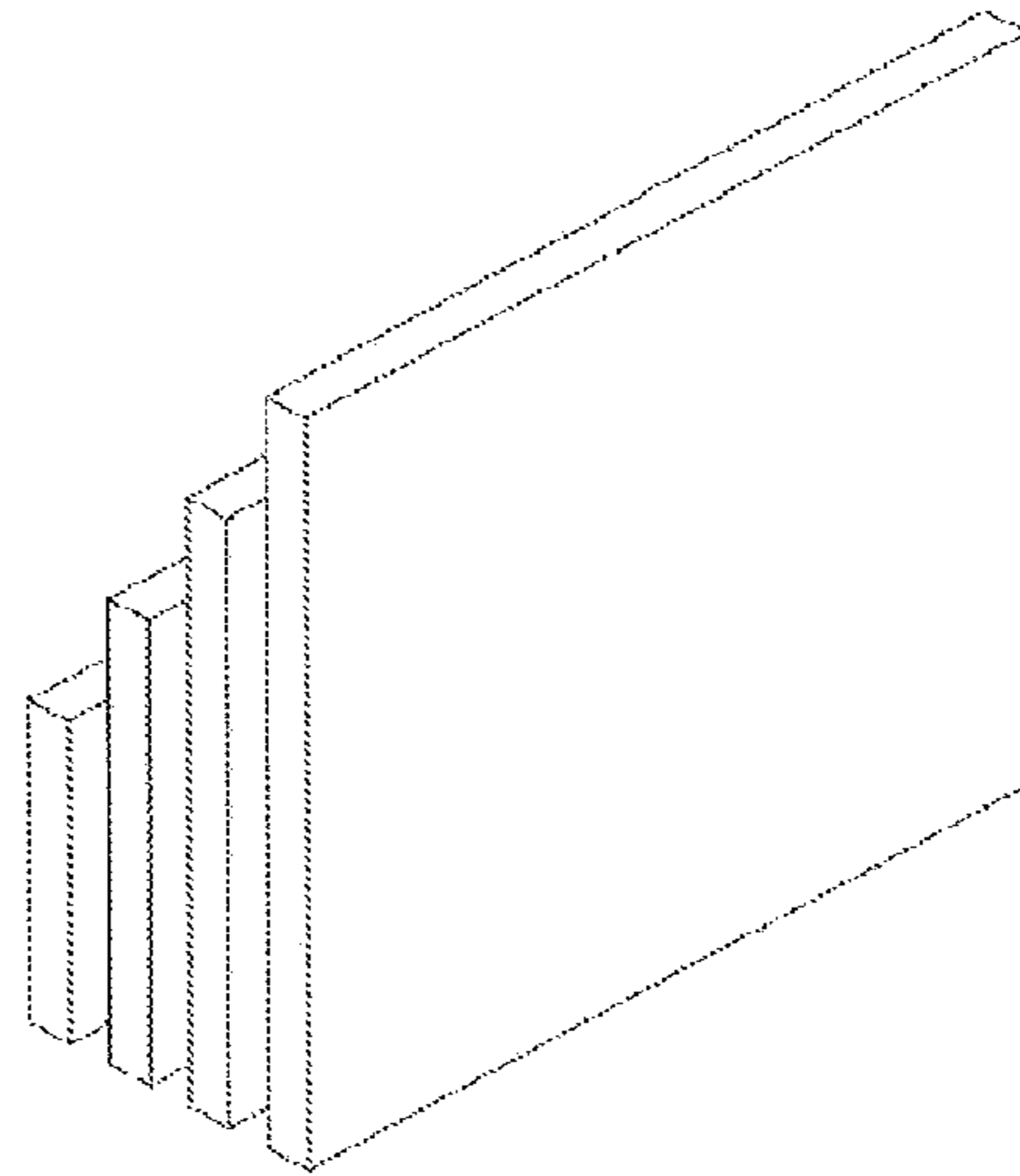


FIG. 8

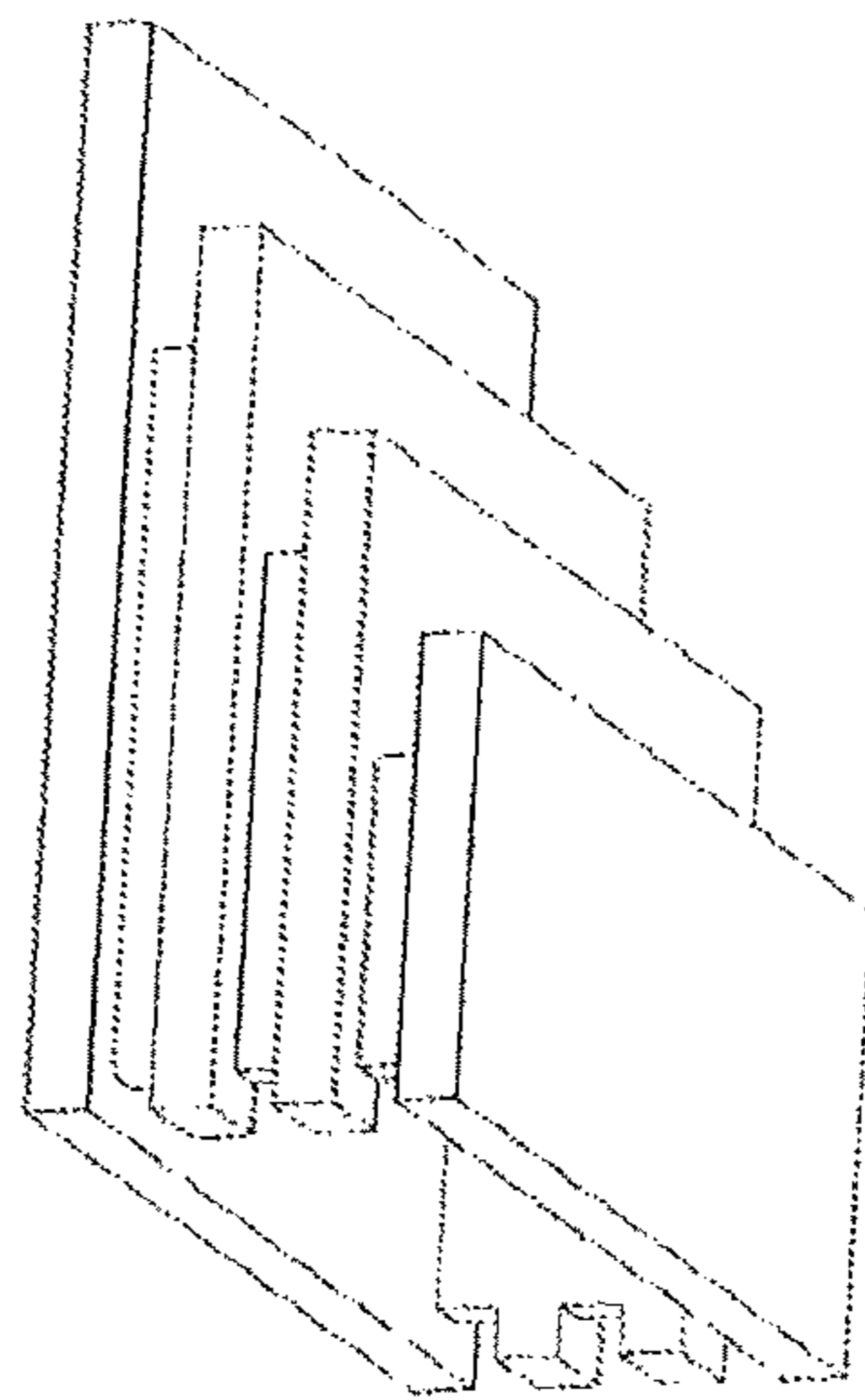


FIG. 9