

US00D722796S

(12) **United States Design Patent**
Lievore et al.

(10) **Patent No.:** **US D722,796 S**
(45) **Date of Patent:** **** Feb. 24, 2015**

(54) **COAT STAND**

(71) Applicant: **Arper S.p.A.**, Monastier di Treviso,
Treviso (IT)
(72) Inventors: **Alberto Lievore**, Treviso (IT);
Jeannette Altherr, Treviso (IT); **Manuel**
Molina, Treviso (IT)
(73) Assignee: **Arper S.p.A.**, Monastier di Treviso,
Treviso (IT)
(**) Term: **14 Years**
(21) Appl. No.: **29/468,602**
(22) Filed: **Oct. 1, 2013**

(30) **Foreign Application Priority Data**

Apr. 8, 2013 (WO) 730868701

(51) **LOC (10) Cl.** **06-04**

(52) **U.S. Cl.**
USPC **D6/681.3; D6/681.1**

(58) **Field of Classification Search**
CPC A47F 5/00; A47F 5/05; A47F 5/06;
A47F 7/19; A47F 7/22; A47F 7/24
USPC D6/310, 315, 316, 319, 320, 322, 324,
D6/363, 405, 546, 570, 673, 680.2, 680.3,
D6/681.1, 681.3, 689, 700, 701, 702;
D2/826, 828, 860; 211/33, 190

See application file for complete search history.

(56) **References Cited**

U.S. PATENT DOCUMENTS

2,010,093 A * 8/1935 Lazarus 211/30
D225,141 S * 11/1972 Acton D6/460
D326,573 S * 6/1992 Crawford et al. D6/458
D339,009 S * 9/1993 Evenson D6/411
D339,249 S * 9/1993 Wu D6/411
D450,200 S * 11/2001 Lowe D6/411
D639,087 S * 6/2011 Wisniewski D6/411

OTHER PUBLICATIONS

Coat Rack, announced Dec. 2, 2013, [online], [site visited Sep. 21,
2014]. Available from Internet, <URLhttps://www.1stdibs.com/fur-
niture/more-furniture-collectibles/coat-stands/coat-rack-at16-
osvaldo-borsani/id-f_810188/*

* cited by examiner

Primary Examiner — Cathron Brooks
Assistant Examiner — Catherine Posthauer
(74) *Attorney, Agent, or Firm* — Merchant & Gould P.C.

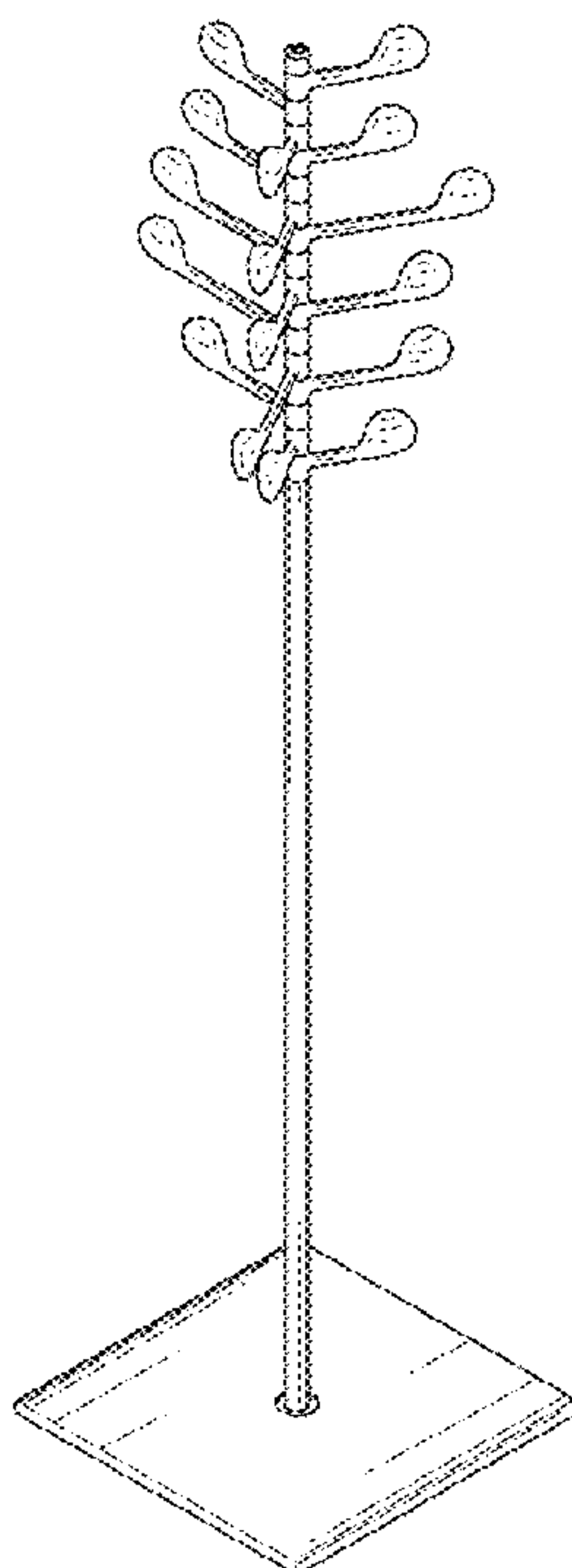
(57) **CLAIM**

The ornamental design for a coat stand, as shown and
described.

DESCRIPTION

FIG. 1 is a perspective view of a coat stand showing our new
design;
FIG. 2 is a left side view thereof;
FIG. 3 is a right side view thereof;
FIG. 4 is a front view thereof;
FIG. 5 is a rear view thereof; and,
FIG. 6 is a top plan view thereof.

1 Claim, 6 Drawing Sheets



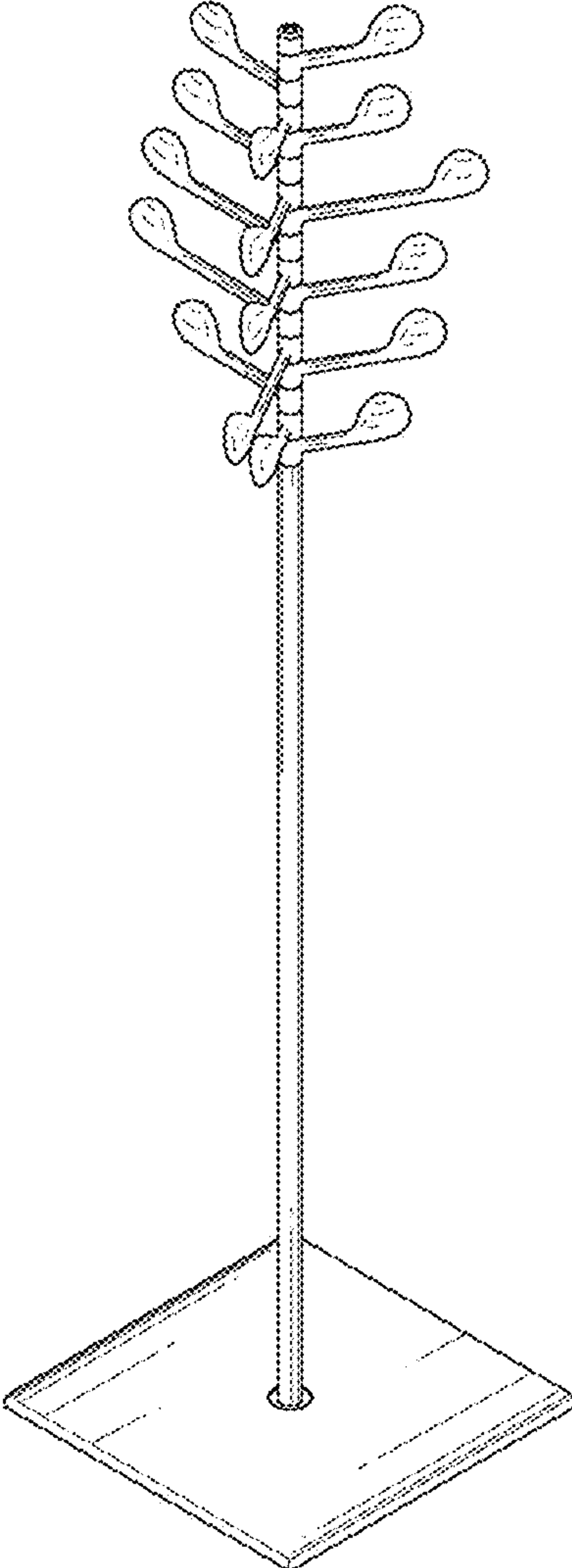


FIG. 1

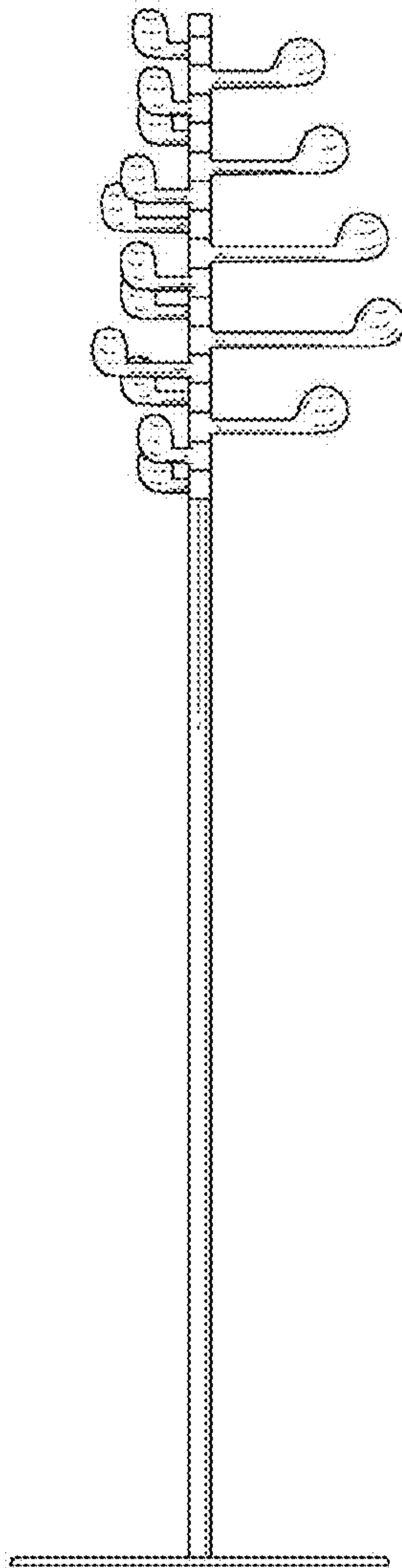


FIG. 2

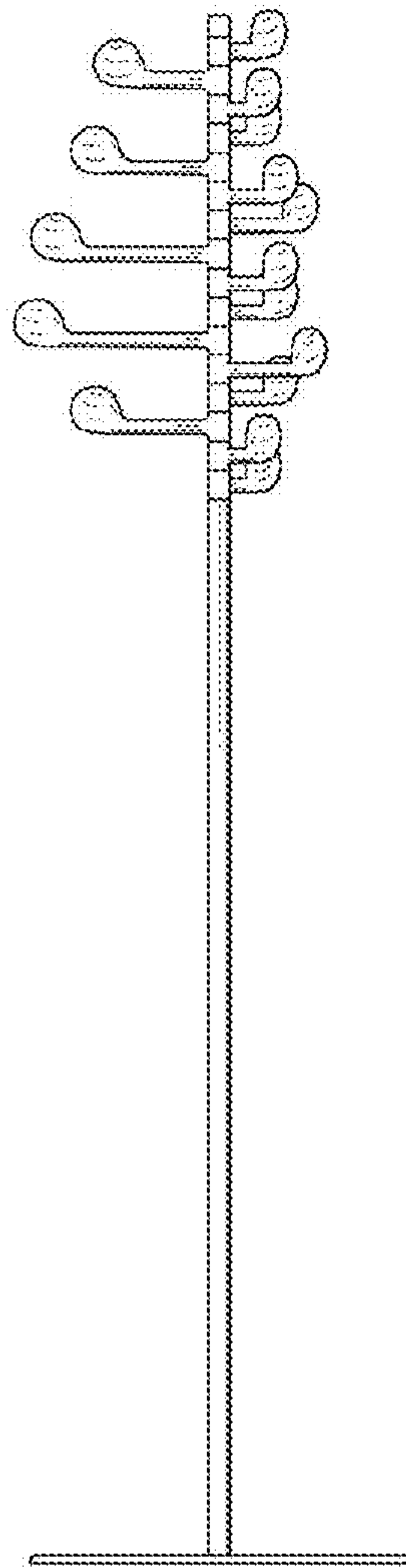


FIG. 3

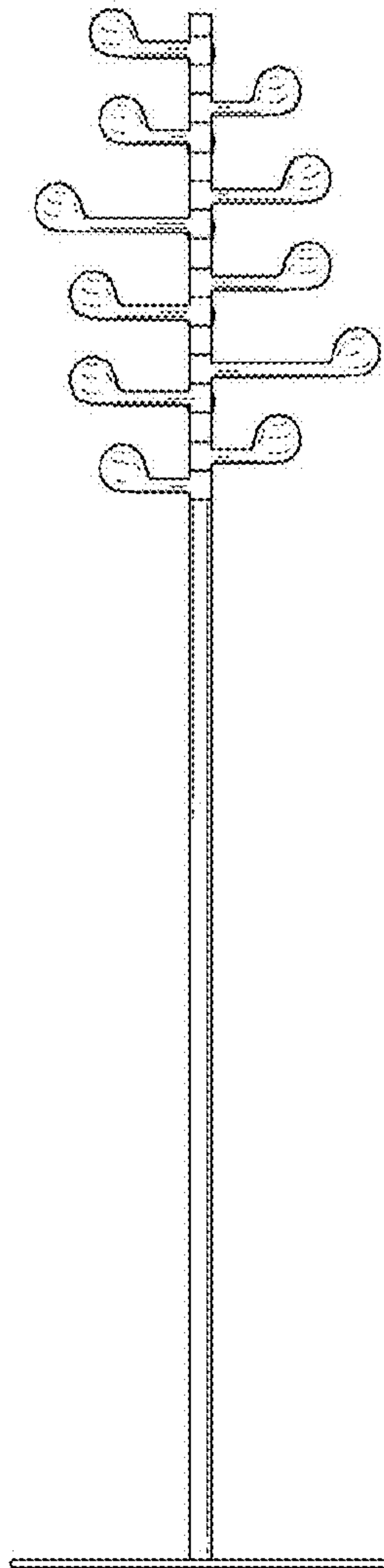


FIG. 4

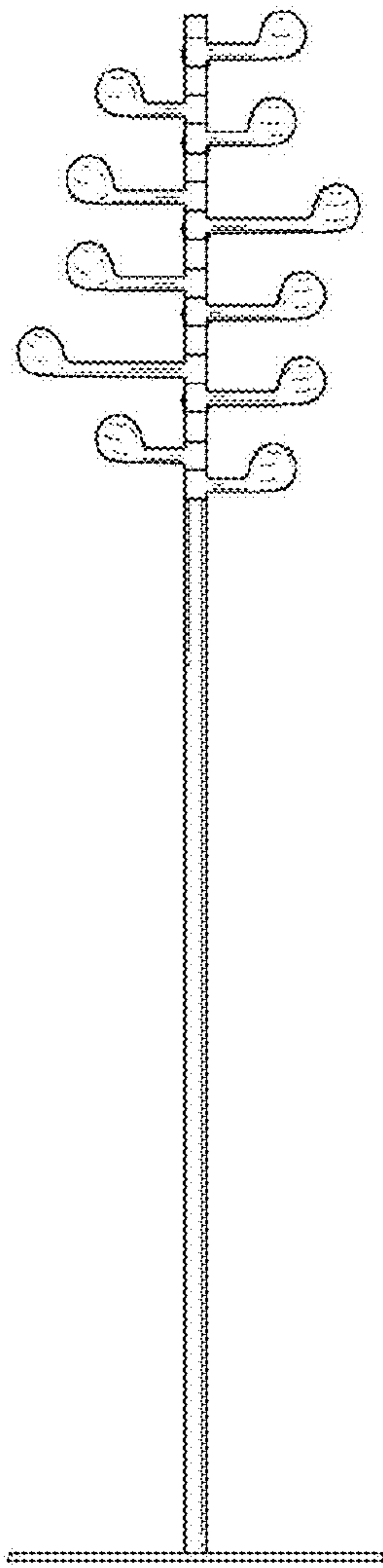


FIG. 5

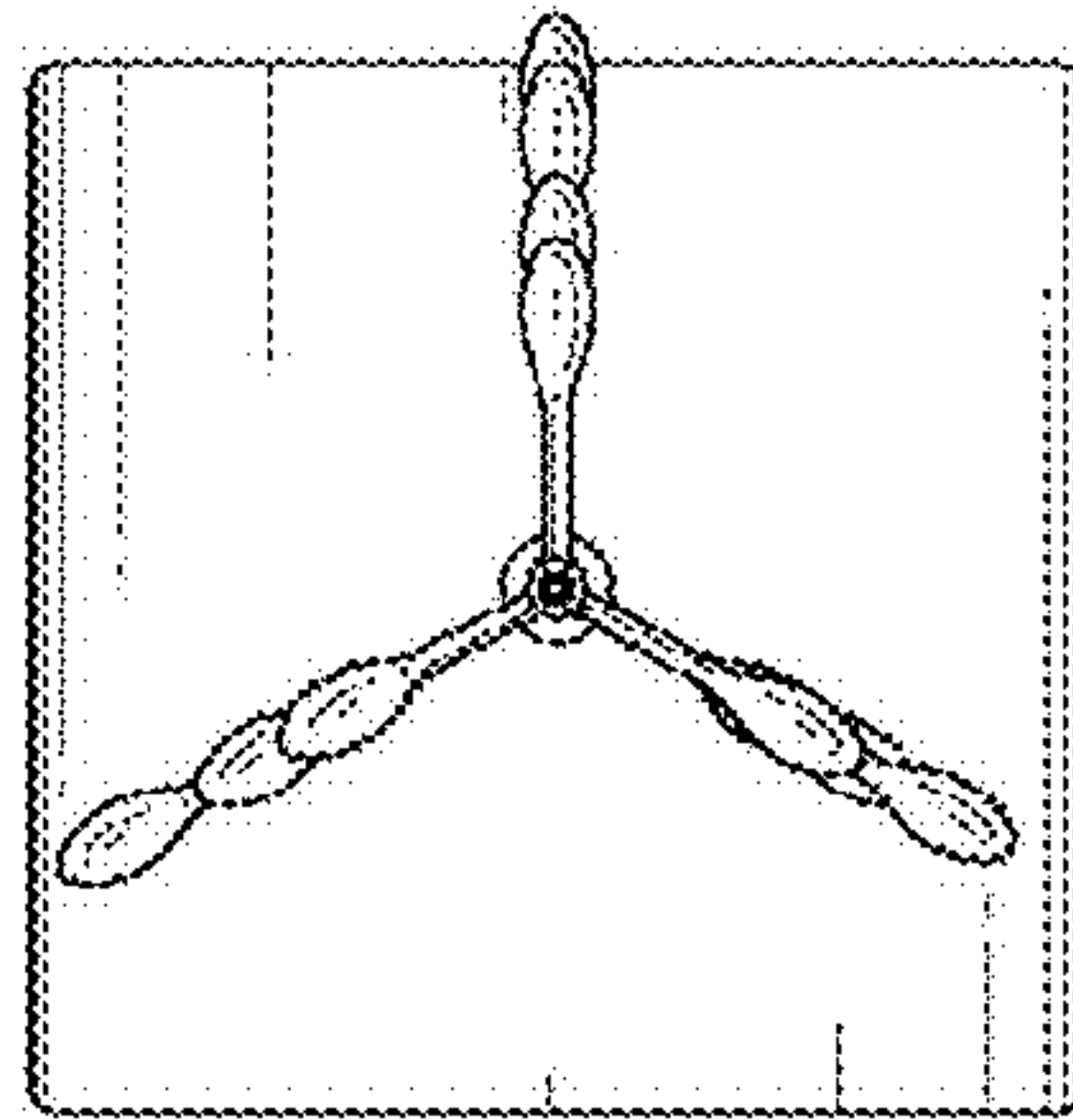


FIG. 6