



US00D722795S

(12) **United States Design Patent**  
**Wehner et al.**

(10) **Patent No.:** **US D722,795 S**  
(45) **Date of Patent:** **\*\* \*Feb. 24, 2015**

- (54) **COLLAPSIBLE ENCLOSURE**
- (71) Applicant: **Worldwide Creations, LLC**, Clio, MI (US)
- (72) Inventors: **Scott D. Wehner**, Mt. Morris, MI (US); **Zhou Xiao Jin**, Linhai (CN)
- (73) Assignee: **Worldwide Creations, LLC**, Clio, MI (US)
- (\*) Notice: This patent is subject to a terminal disclaimer.
- (\*\*) Term: **14 Years**
- (21) Appl. No.: **29/468,224**
- (22) Filed: **Sep. 27, 2013**

- 218,680 A 8/1879 McCabe
- 418,827 A 1/1890 St. Marie
- 539,672 A 5/1895 Decker
- 610,602 A 9/1898 Doldt
- 694,172 A 2/1902 Moore
- 715,038 A 12/1902 Dunham
- 775,158 A 11/1904 Wenig
- 792,827 A 6/1905 Holbrook
- 818,304 A 4/1906 Shaw
- 867,558 A 10/1907 Carroll
- 931,702 A 8/1909 Otter
- 972,590 A 10/1910 Yates
- 1,018,338 A 2/1912 Pines
- 1,025,972 A 5/1912 Geisel
- 1,072,473 A 9/1913 Kindberg
- 1,095,391 A 5/1914 Fogle
- 1,106,418 A 8/1914 Sprunger
- 1,262,021 A 4/1918 Conroy
- 1,533,470 A 4/1925 Schmitt
- 1,597,265 A 8/1926 Cashiere

(Continued)

**Related U.S. Application Data**

- (63) Continuation-in-part of application No. 13/630,213, filed on Sep. 28, 2012.
- (51) **LOC (10) Cl.** ..... **06-06**
- (52) **U.S. Cl.**  
USPC ..... **D6/675.1**
- (58) **Field of Classification Search**  
USPC ..... D6/396-397, 407, 408, 449, 462-463, D6/464-468, 470-471, 473-474, 477-479, D6/515, 672-673, 675, 675.1; 211/126, 211/128, 13, 40, 194  
See application file for complete search history.

**References Cited**

**U.S. PATENT DOCUMENTS**

- 63,735 A 4/1867 Loomis
- RE3,710 E 11/1869 Stone
- 151,037 A 5/1874 Magee
- 156,842 A 11/1874 Duggan

Primary Examiner — Kelley Donnelly

(74) *Attorney, Agent, or Firm* — Young Basile Hanlon & MacFarlane P.C.

(57) **CLAIM**

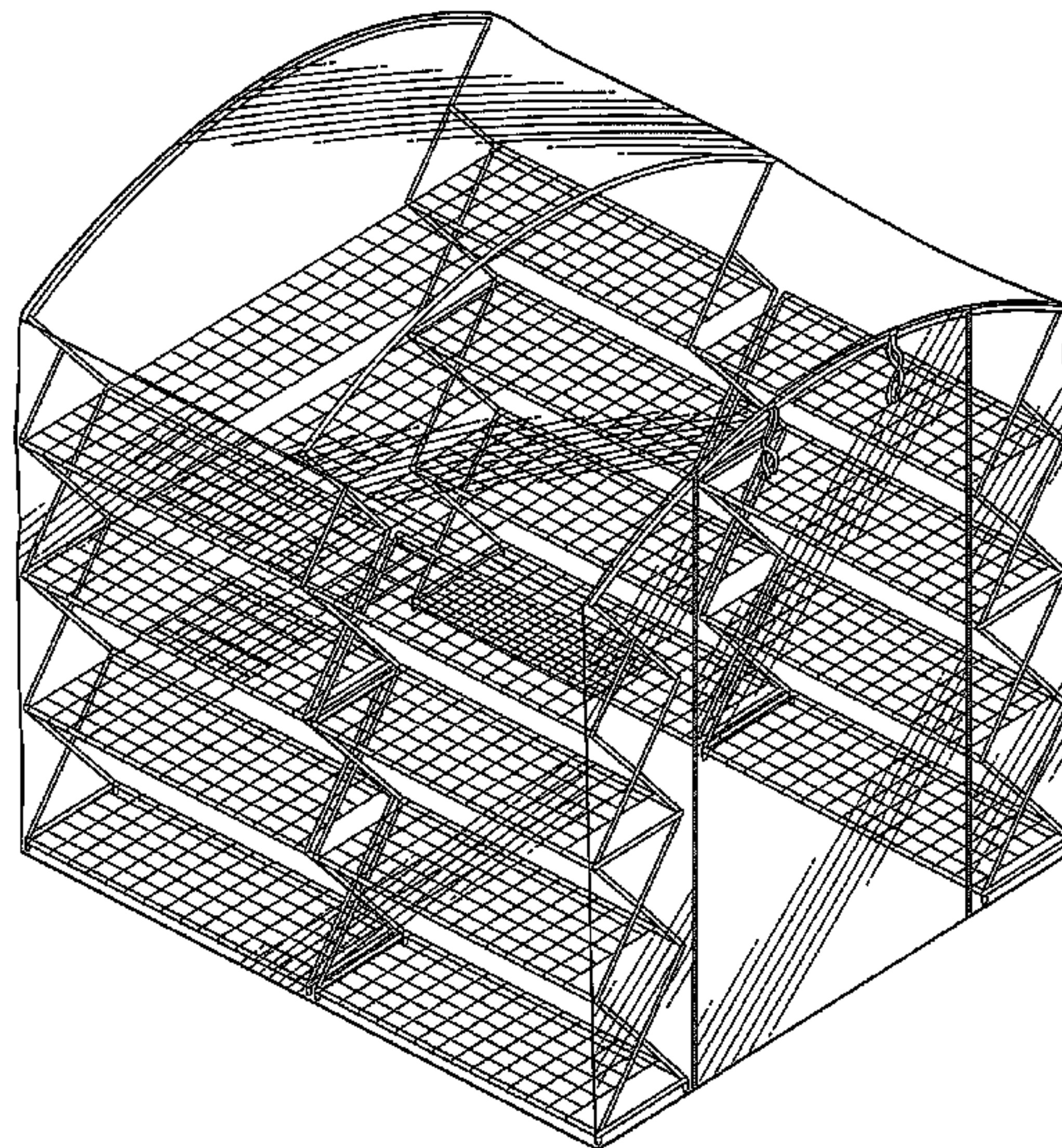
The ornamental design for a collapsible enclosure, as shown and described.

**DESCRIPTION**

FIG. 1 is a front perspective view of a collapsible enclosure showing my new design with a door flap in a closed position; FIG. 2 is a front perspective view thereof with the door flap in an open position; FIG. 3 is a front elevational view thereof; FIG. 4 is a rear elevational view thereof; FIG. 5 is a left side side elevational view thereof; and, FIG. 6 is a top view thereof.

The broken lines showing additional detail are for illustrative purposes only and form no part of the claimed design.

**1 Claim, 6 Drawing Sheets**





(56)

References Cited

U.S. PATENT DOCUMENTS

1,652,581 A	12/1927	Roberts	5,222,513 A	6/1993	Hilliard
1,669,484 A	5/1928	Mowry	5,301,705 A	4/1994	Zheng
1,708,113 A	4/1929	Allen	5,351,843 A	10/1994	Wichman et al.
1,773,847 A	8/1930	Nickles	5,375,368 A	12/1994	Motz
1,803,626 A	5/1931	Lasley	5,394,897 A	3/1995	Leavitt
1,912,425 A	6/1933	Baumer	5,411,046 A	5/1995	Wan
2,199,127 A	4/1940	Clearmond	5,467,794 A	11/1995	Zheng
2,293,625 A	8/1942	Patch	5,519,964 A	5/1996	Kujirai et al.
2,402,579 A	6/1946	Ross	5,560,385 A	10/1996	Zheng
2,445,403 A	7/1948	Mayerman	5,579,799 A	12/1996	Zheng
2,523,682 A	9/1950	Corwin	5,605,007 A	2/1997	Hinsperger
2,594,065 A	4/1952	O'Neill	5,622,415 A	4/1997	Felsenthal et al.
2,645,541 A	7/1953	Mintz et al.	5,660,002 A	8/1997	Lashingner
2,781,766 A	2/1957	Krieger	5,664,596 A	9/1997	Zheng
3,007,539 A	11/1961	Brewer et al.	5,671,766 A *	9/1997	Williams ..... 135/121
3,292,561 A	12/1966	Hoodis	5,692,337 A	12/1997	Motz
3,375,624 A	4/1968	Mikulin	5,778,915 A	7/1998	Zheng
3,435,570 A	4/1969	Berry	5,816,279 A	10/1998	Zheng
3,502,091 A	3/1970	Goltemann	5,975,101 A	11/1999	Zheng
3,509,891 A	5/1970	DeBolt	6,014,837 A	1/2000	Morgan
3,675,667 A	7/1972	Miller	6,019,112 A	2/2000	Matlock
3,700,070 A	10/1972	King	6,021,794 A	2/2000	Guerra
3,746,151 A	7/1973	Brophy et al.	6,088,953 A	7/2000	Morgan
3,766,932 A	10/1973	Sidis et al.	D429,307 S	8/2000	Wu et al.
3,796,282 A	3/1974	Denier et al.	6,098,335 A	8/2000	Brown
3,810,482 A	5/1974	Beavers	6,155,281 A	12/2000	Zheng
3,941,140 A	3/1976	Beavers	6,209,557 B1	4/2001	Zheng
3,960,161 A	6/1976	Norman	6,257,263 B1	7/2001	Brereton
3,990,463 A	11/1976	Norman	6,269,826 B1	8/2001	Zheng
4,023,306 A	5/1977	Ruggieri	6,296,415 B1	10/2001	Johnson et al.
4,026,312 A	5/1977	Beavers	D452,153 S *	12/2001	Dardashti ..... D6/629
4,067,346 A	1/1978	Husted	6,325,086 B1	12/2001	Shinner et al.
4,070,807 A	1/1978	Smith, Jr.	6,390,111 B2	5/2002	Zheng
4,077,417 A	3/1978	Beavers	6,427,858 B2	8/2002	Sabounjian
4,088,203 A	5/1978	Smith, Jr.	6,499,260 B2	12/2002	Kasinger et al.
4,130,178 A	12/1978	Smith, Jr.	6,575,185 B2	6/2003	Zheng
4,131,205 A	12/1978	Malecki	6,701,948 B2	3/2004	Jopp
4,138,952 A	2/1979	Hodson	6,799,594 B2	10/2004	Kuo
4,154,253 A	5/1979	McCullough	D499,278 S	12/2004	Dardashi
4,285,354 A	8/1981	Beavers	6,829,869 B1	12/2004	Savoie
4,425,929 A	1/1984	VonMosshalm	6,840,182 B2	1/2005	Price
D276,466 S *	11/1984	Giovagnoli ..... D25/1	D504,519 S *	4/2005	Wehner ..... D25/33
4,635,729 A	1/1987	Harmathy	6,892,743 B2	5/2005	Armstrong
4,637,748 A	1/1987	Beavers	D510,972 S	10/2005	Wehner
4,724,181 A	2/1988	Mingenbach	D511,196 S	11/2005	Wehner
4,815,784 A	3/1989	Zheng	7,020,993 B2	4/2006	Pritchard
4,819,680 A	4/1989	Beavers	7,063,035 B2	6/2006	Belcher
4,828,123 A	5/1989	Basore	7,121,290 B2	10/2006	Eastman
D304,981 S *	12/1989	Raskas ..... D6/478	D536,761 S	2/2007	Wehner
4,941,499 A	7/1990	Pelsue et al.	D537,275 S *	2/2007	Chang ..... D6/463
4,950,511 A	8/1990	Francis	D537,276 S	2/2007	Kelman
4,951,333 A	8/1990	Gutch	D570,438 S *	6/2008	Adams ..... D21/814
4,970,841 A	11/1990	Zeigler	D570,439 S *	6/2008	Adams ..... D21/814
4,974,525 A	12/1990	Sheffield	7,614,415 B1	11/2009	Wehner
4,998,552 A	3/1991	Niksic et al.	7,665,478 B2	2/2010	Wehner
5,010,909 A	4/1991	Cleveland	D613,975 S	4/2010	Davis
5,024,262 A	6/1991	Huang	D630,266 S	1/2011	Frank et al.
D318,767 S *	8/1991	Schneider et al. .... D6/408	D640,798 S *	6/2011	Rassat ..... D25/15
5,038,812 A	8/1991	Norman	8,371,088 B2	2/2013	Merrifield
5,069,572 A	12/1991	Niksic	D693,158 S	11/2013	Jung et al.
D327,189 S *	6/1992	McPherson et al. .... D6/474	8,590,716 B2	11/2013	Behjat
5,123,550 A	6/1992	Nodskov et al.	8,616,328 B2	12/2013	Daraio et al.
5,137,044 A	8/1992	Brady	2001/0001199 A1	5/2001	Sabounjian
5,140,768 A	8/1992	Forbes	2004/0074858 A1	4/2004	Thuma et al.
5,143,214 A	9/1992	Freeland et al.	2005/0211652 A1	9/2005	Li
5,145,029 A	9/1992	Blasdell et al.	2006/0055289 A1	3/2006	Wu
5,146,635 A	9/1992	Gastle et al.	2007/0138119 A1	6/2007	Schwerdlin
5,163,262 A	11/1992	Adams	2007/0221598 A1	9/2007	Sabounjian
5,179,798 A	1/1993	Sonagere	2012/0006371 A1	1/2012	Livacich et al.
			2012/0204770 A1	8/2012	Grace

\* cited by examiner



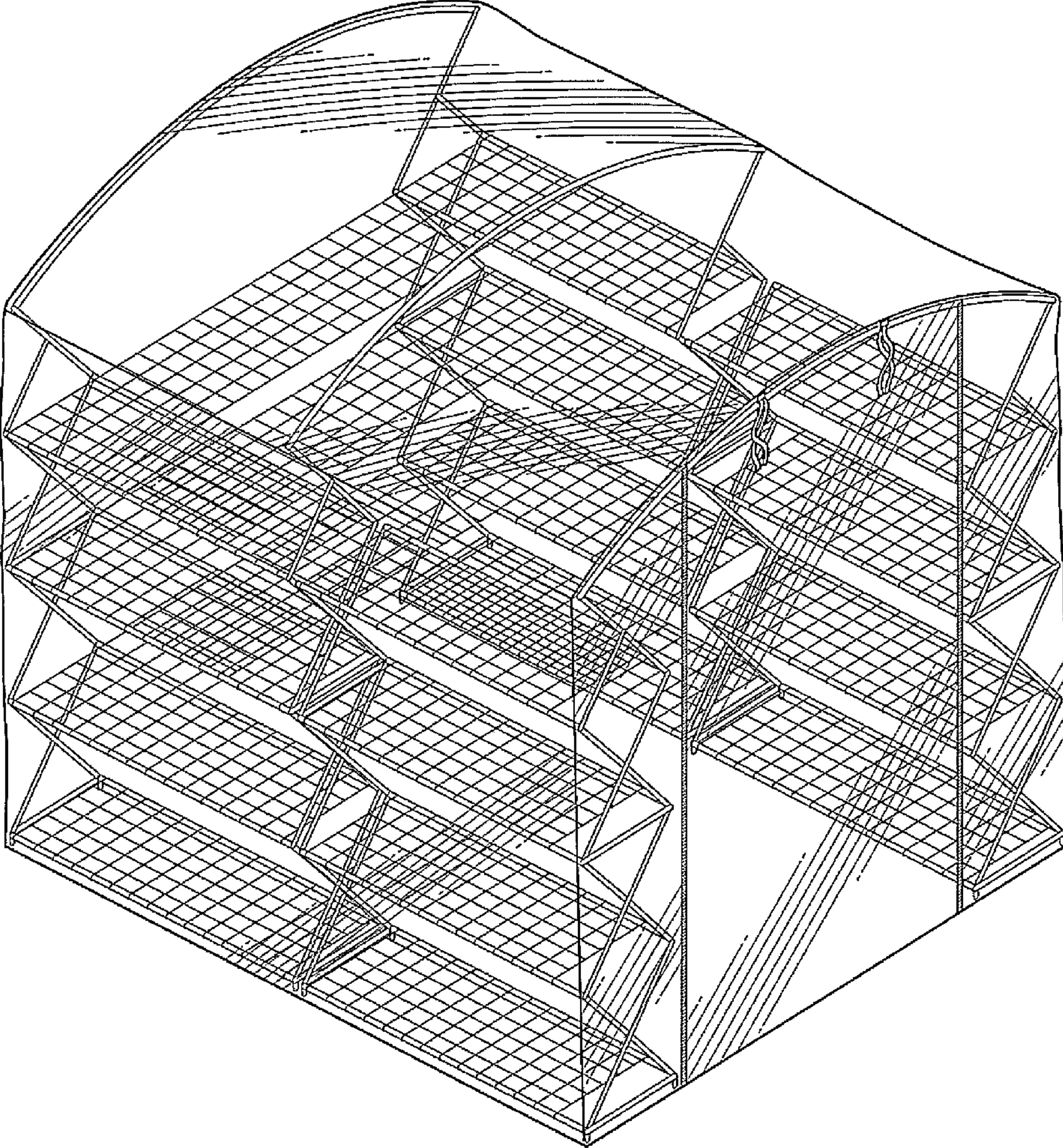


FIG. 1



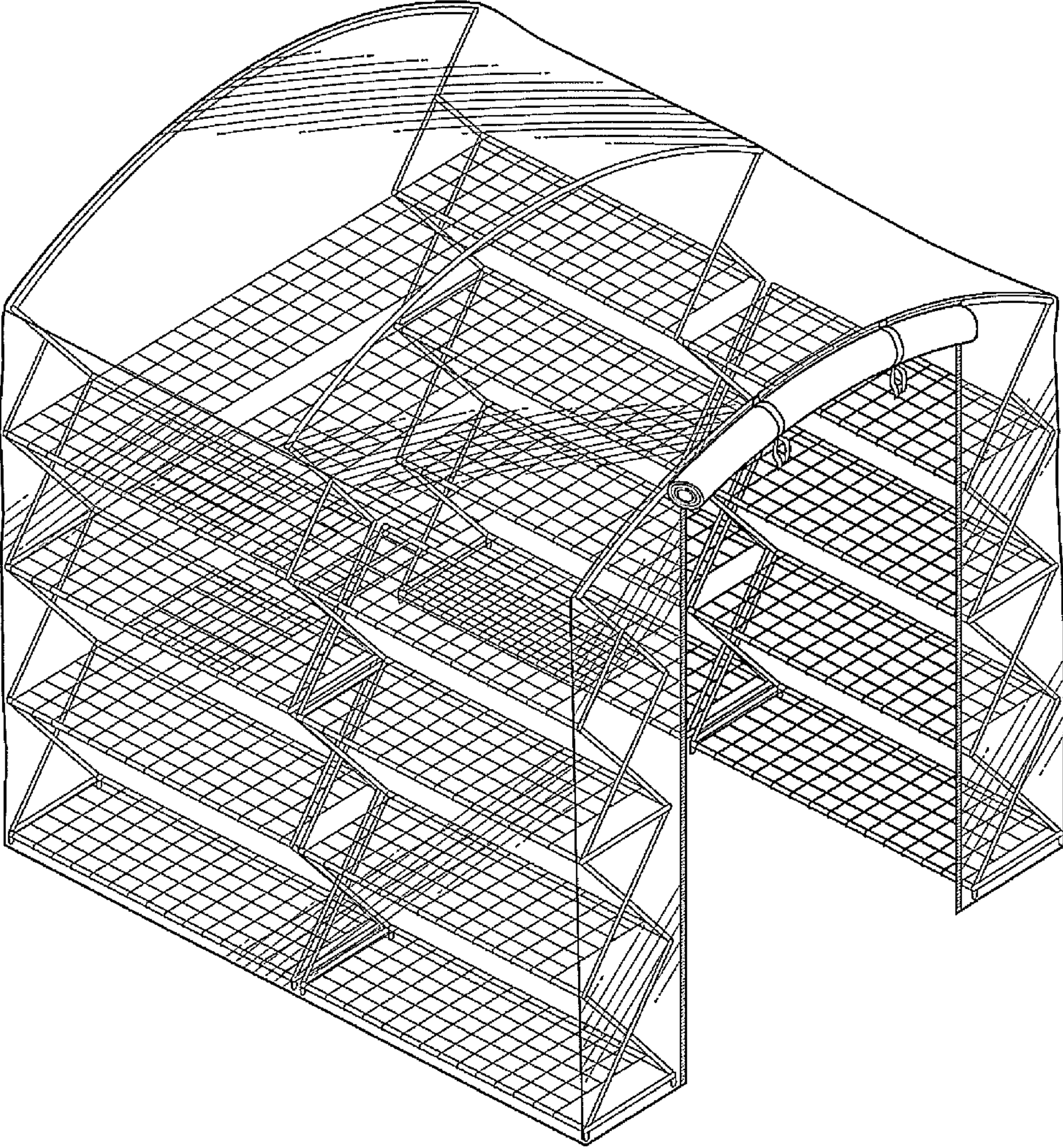


FIG. 2

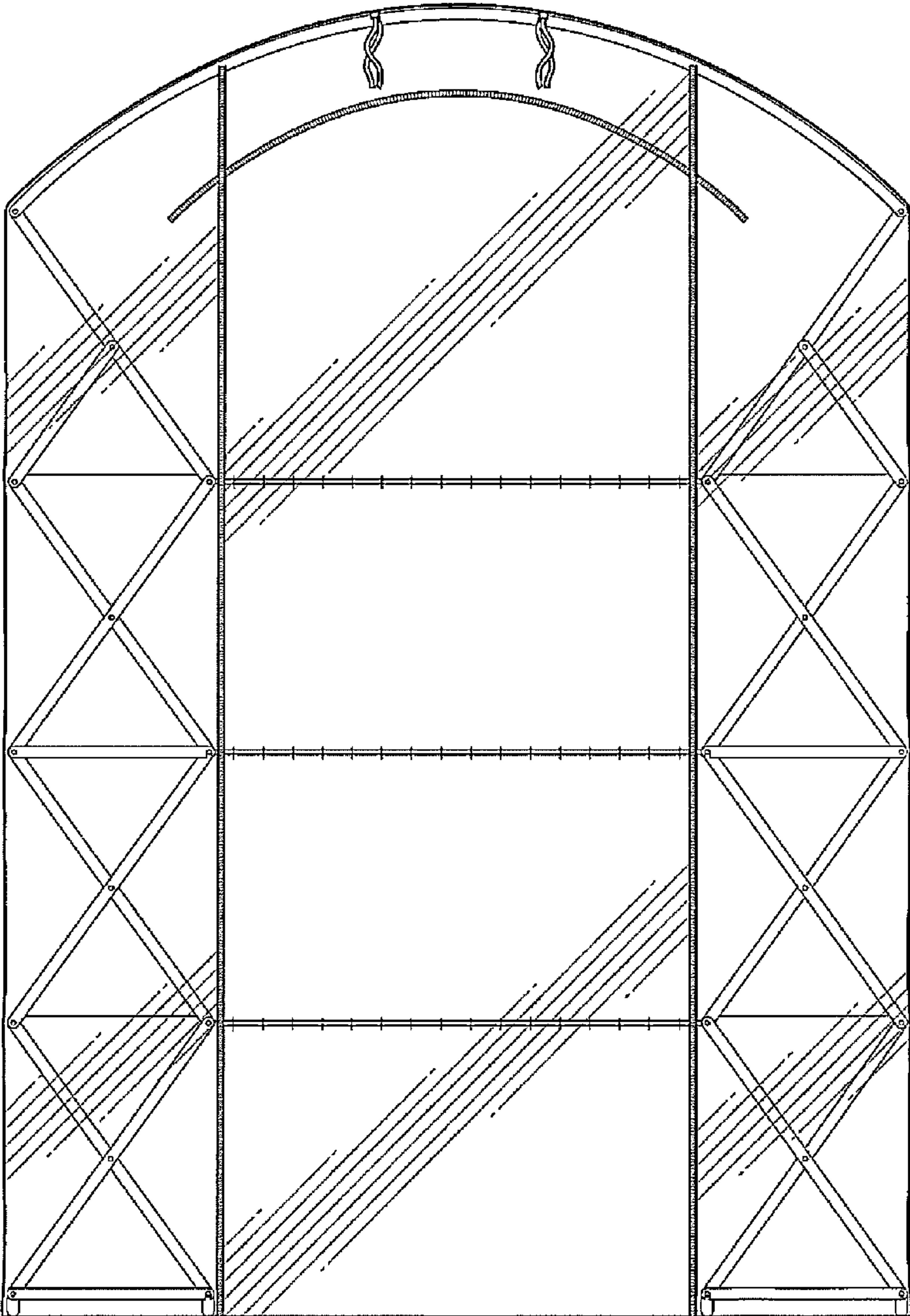


FIG. 3



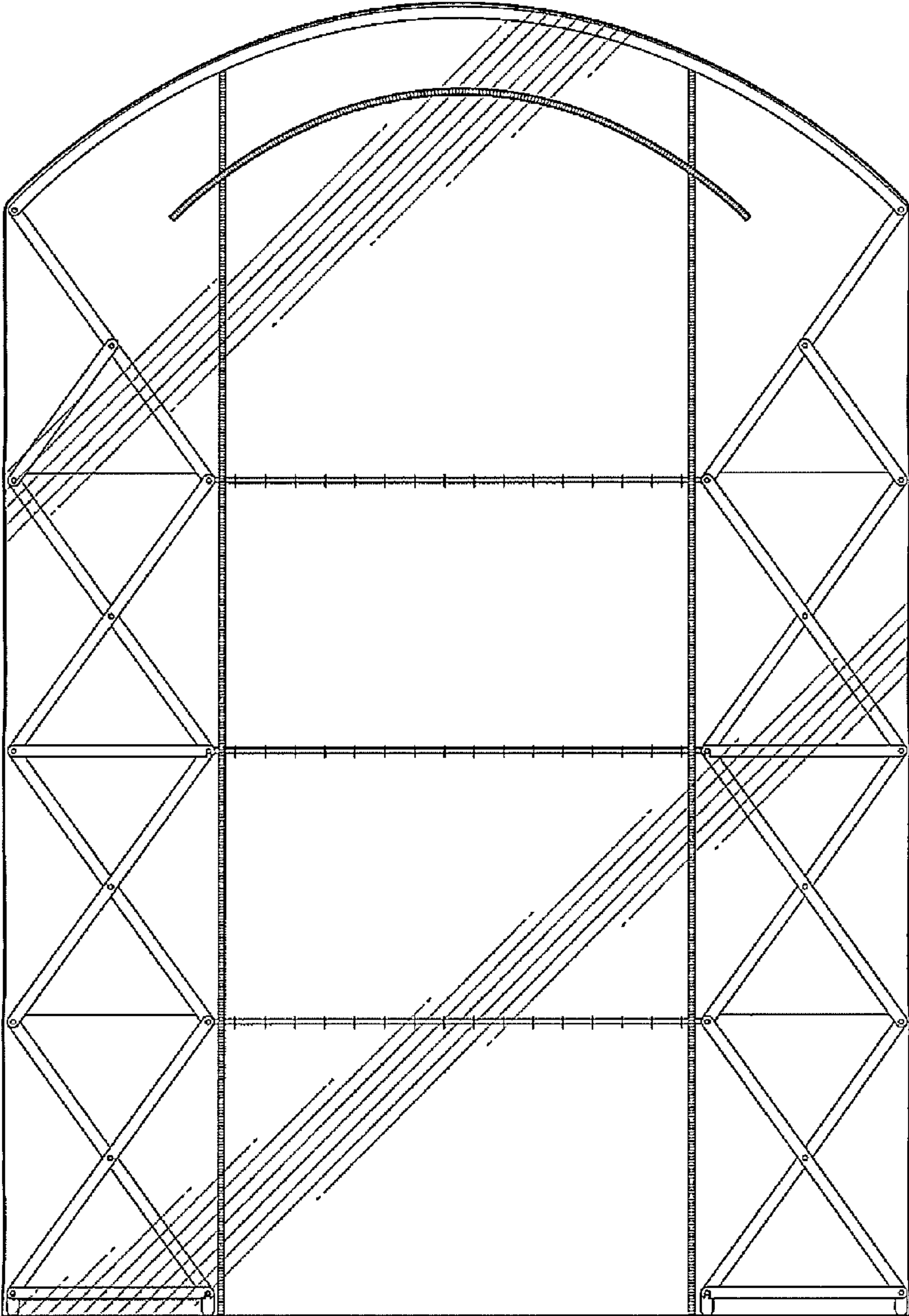


FIG. 4

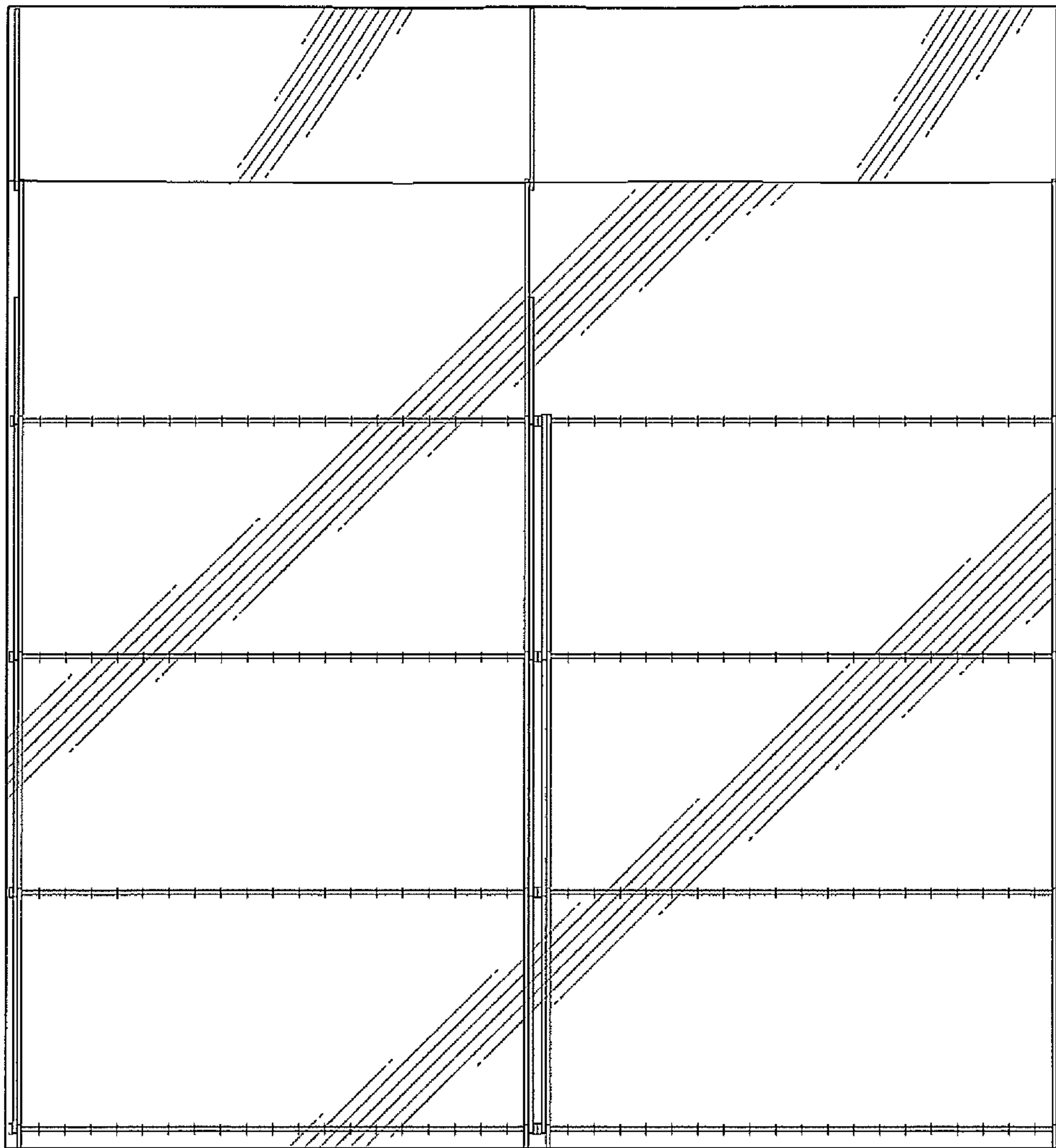


FIG. 5

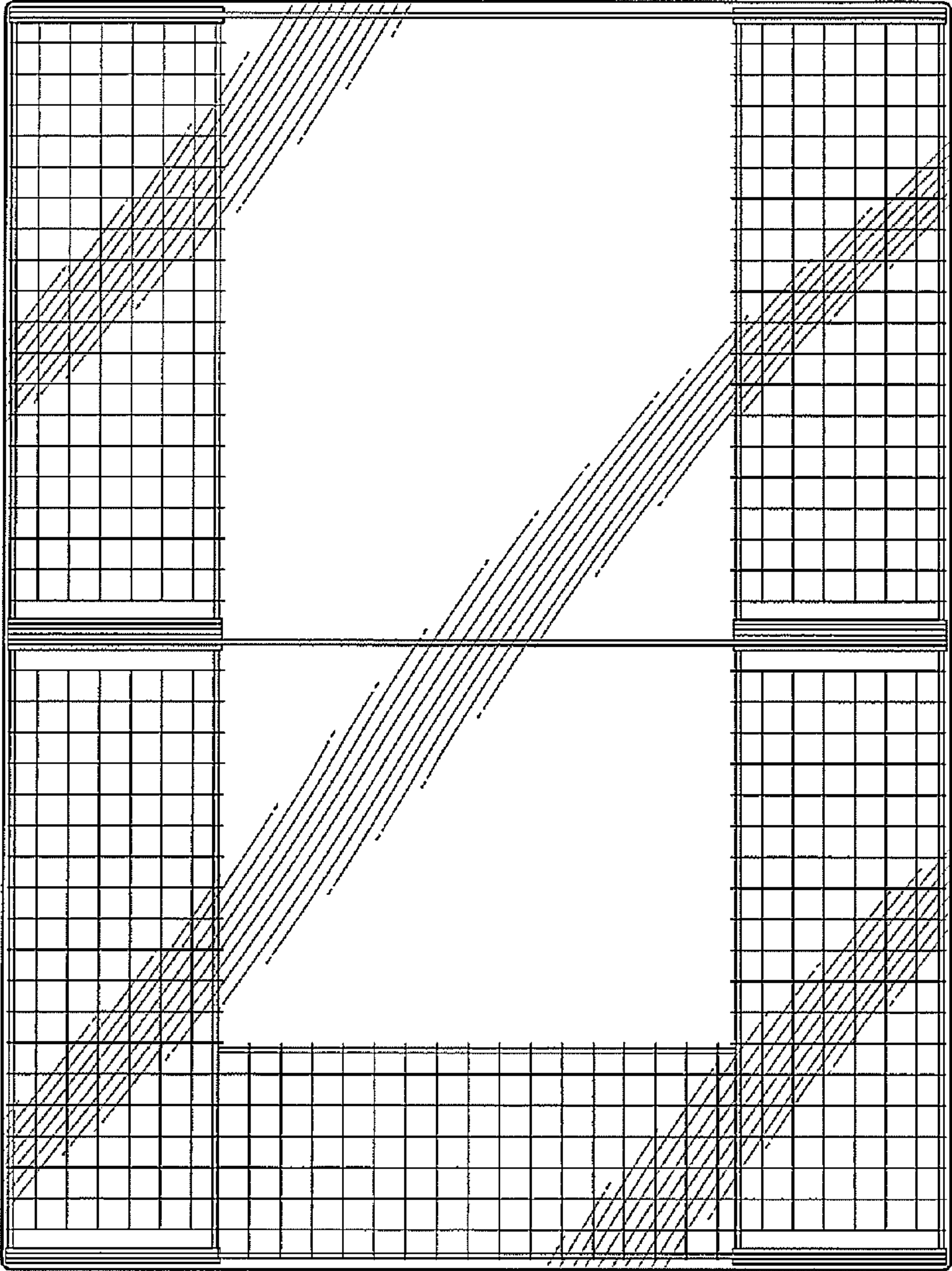


FIG. 6