

US00D722794S

(12) **United States Design Patent**
Luong

(10) **Patent No.:** **US D722,794 S**

(45) **Date of Patent:** **** Feb. 24, 2015**

(54) **RETAIL MULTIMEDIA PRODUCT AND PRESENTATION DISPLAY**

(71) Applicant: **Kevin Luong**, Irvine, CA (US)

(72) Inventor: **Kevin Luong**, Irvine, CA (US)

(**) Term: **14 Years**

(21) Appl. No.: **29/437,551**

(22) Filed: **Nov. 18, 2012**

(51) **LOC (10) CI.** **06-04**

(52) **U.S. CI.**

USPC **D6/673**; D20/19; D6/574

(58) **Field of Classification Search**

CPC A47F 5/114; G09F 5/00

USPC D6/672, 673, 681.2, 682, 553, 567, 568,

D6/574, 403–405; D14/301, 302, 307,

D14/125, 126, 129, 133; D20/10, 19, 99;

D19/34.1–34.5; 312/114, 117

See application file for complete search history.

(56) **References Cited**

U.S. PATENT DOCUMENTS

3,721,413	A *	3/1973	Robinson	248/174
D377,784	S *	2/1997	Wilson	D14/302
D378,082	S *	2/1997	Wilson	D14/302
D379,377	S *	5/1997	Rath	D20/41
D391,565	S *	3/1998	Nanjo	D14/130
D398,653	S *	9/1998	Hiraguchi et al.	D20/10
5,921,190	A *	7/1999	Wood	108/108
D417,440	S *	12/1999	Wilson	D14/374
D438,256	S *	2/2001	Timmermans et al.	D20/10
D473,554	S *	4/2003	Landerholm et al.	D14/302
D478,582	S *	8/2003	Becker et al.	D14/302
D486,804	S *	2/2004	Takami et al.	D14/126
D488,139	S *	4/2004	Takami et al.	D14/126
D533,855	S *	12/2006	Rashid	D14/126
D540,859	S *	4/2007	Weiler	D19/34.1
D559,577	S *	1/2008	Quinn	D6/397
D585,943	S *	2/2009	Pymm et al.	D20/10

D620,737	S *	8/2010	Nakaoka et al.	D6/574
D636,441	S *	4/2011	Potts	D20/19
D639,086	S *	6/2011	Curbbun et al.	D6/396
D655,108	S *	3/2012	Majrani	D6/479
D658,615	S *	5/2012	Chiu	D14/126
D660,361	S *	5/2012	Carver, Jr.	D20/19
8,228,668	B2 *	7/2012	Asamarai et al.	361/679.05
D675,203	S *	1/2013	Yang	D14/341
D697,506	S *	1/2014	Bianco et al.	D14/336

OTHER PUBLICATIONS

Stand and Kiosks, available May 14, 2011, [online], [site visited Oct. 9, 2014]. Available from internet, <URL: https://web.archive.org/web/20110514070341/http://www.millertech.com/digital_signage/stands&kiosks/KD70_Series.htm>.*

Display Kiosk, available Oct. 3, 2009, [online], [site visited Oct. 9, 2014]. Available from internet, <URL: <http://www.shopdisplays.net/tag/marketing/>>.*

(Continued)

Primary Examiner — Cathron Brooks

Assistant Examiner — Teddy Falloway

(74) *Attorney, Agent, or Firm* — QuickPatents; Kevin Prince

(57) **CLAIM**

I claim the ornamental design for a retail multimedia product and presentation display, as shown and described.

DESCRIPTION

FIG. 1 is a perspective view of a retail multimedia product and presentation display, showing my new design;

FIG. 2 is a front elevational view thereof;

FIG. 3 is a rear elevational view thereof;

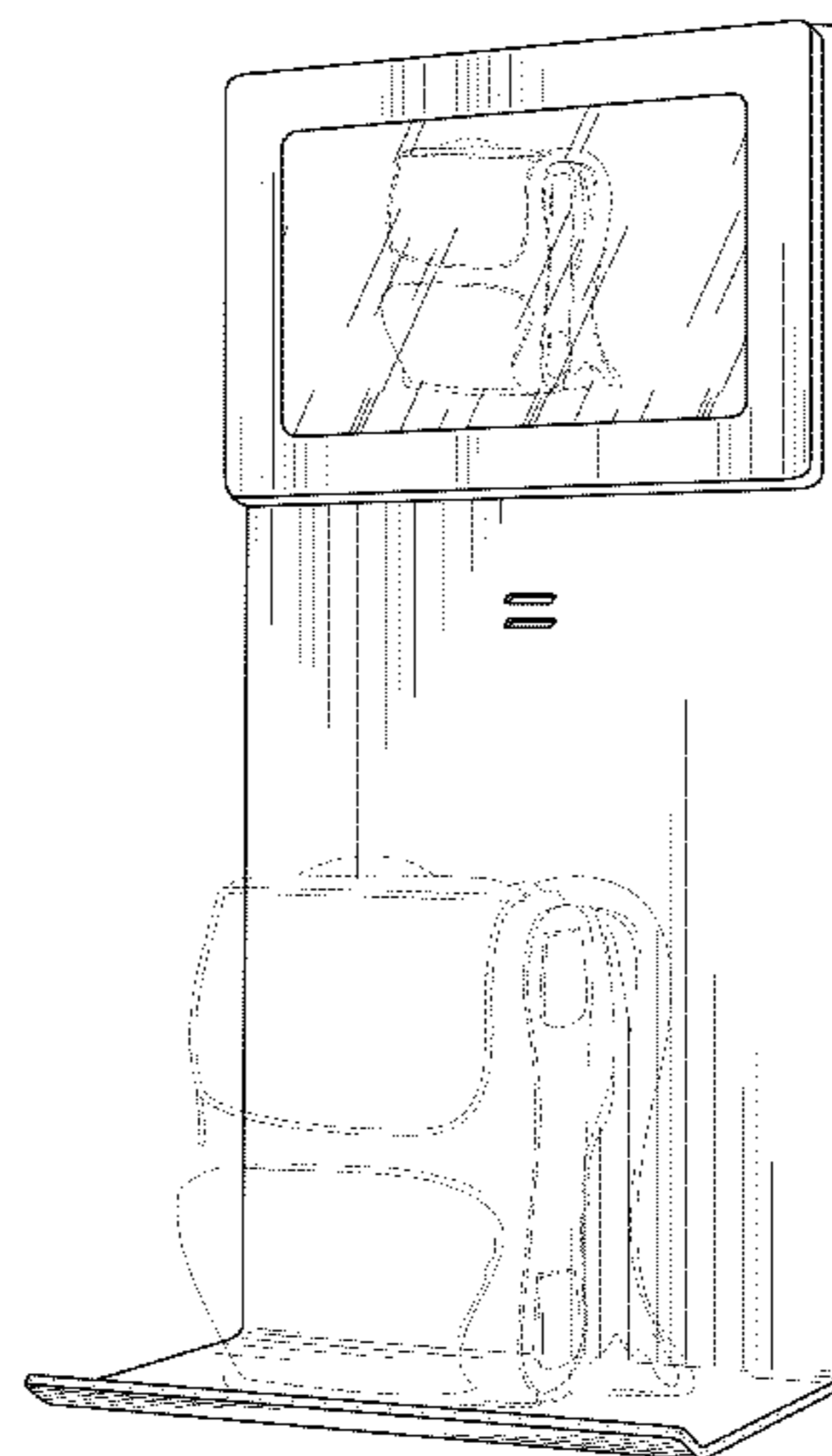
FIG. 4 is a left-side elevational view thereof, the right-side elevational view being a mirror image thereof;

FIG. 5 is a top plan view thereof; and,

FIG. 6 is a bottom plan view thereof.

The broken lines showing a backpack in FIG. 1 depict environmental matter and form no part of the claimed design.

1 Claim, 3 Drawing Sheets



(56)

References Cited

OTHER PUBLICATIONS

Kiosks, available Mar. 2, 2012, [online], [site visited Oct. 9, 2014]. Available from internet, <URL: <http://retailtechnologytrends.com/tag/kiosk/>>.*

Display stand with LCD, available May 18, 2012, [online], [site visited Oct. 9, 2014]. Available from internet, <URL: http://www.alibaba.com/product-detail/product-display-stand-with-LCD-screen_329918772/showimage.html>.*

* cited by examiner

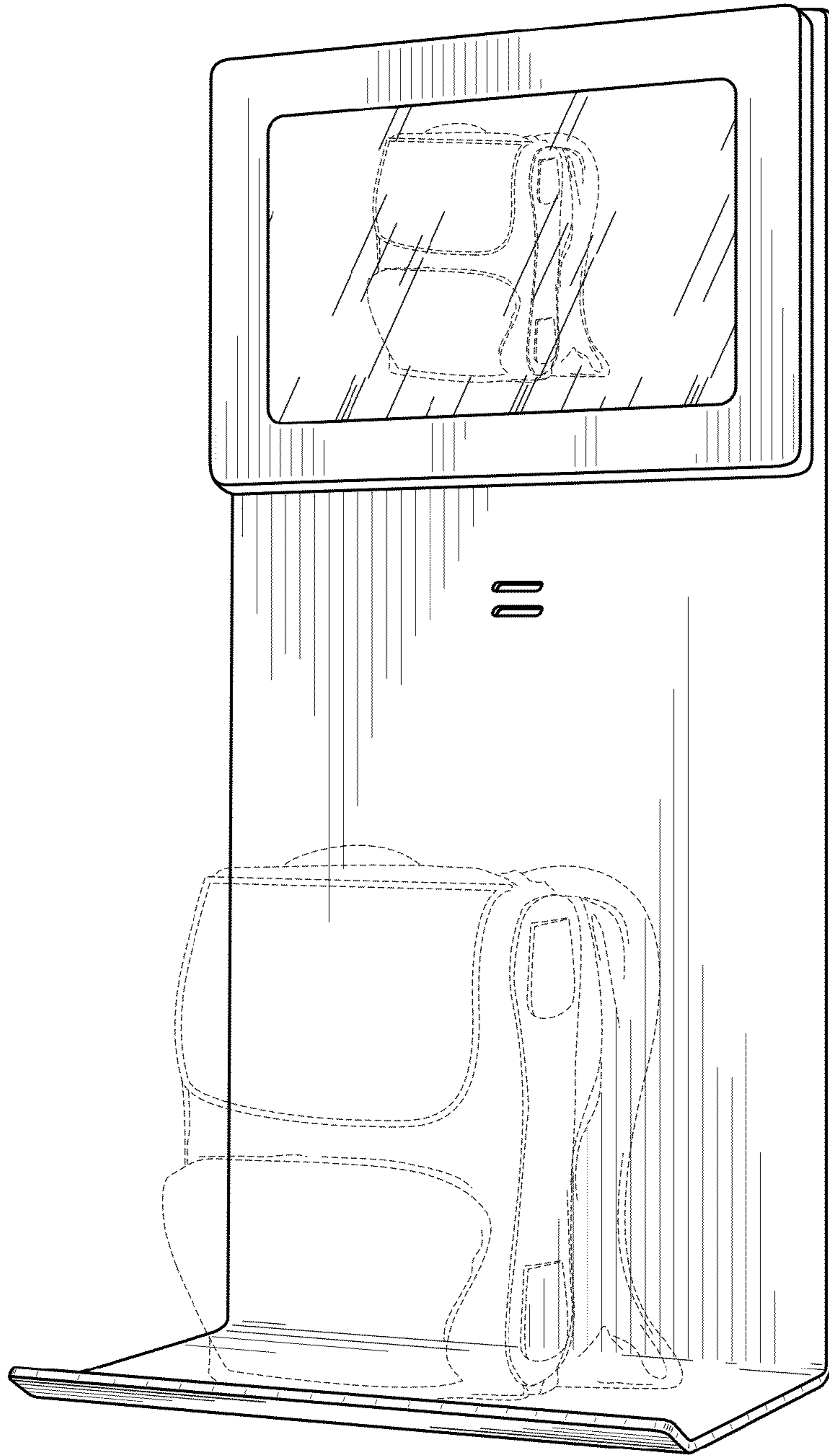


FIG. 1

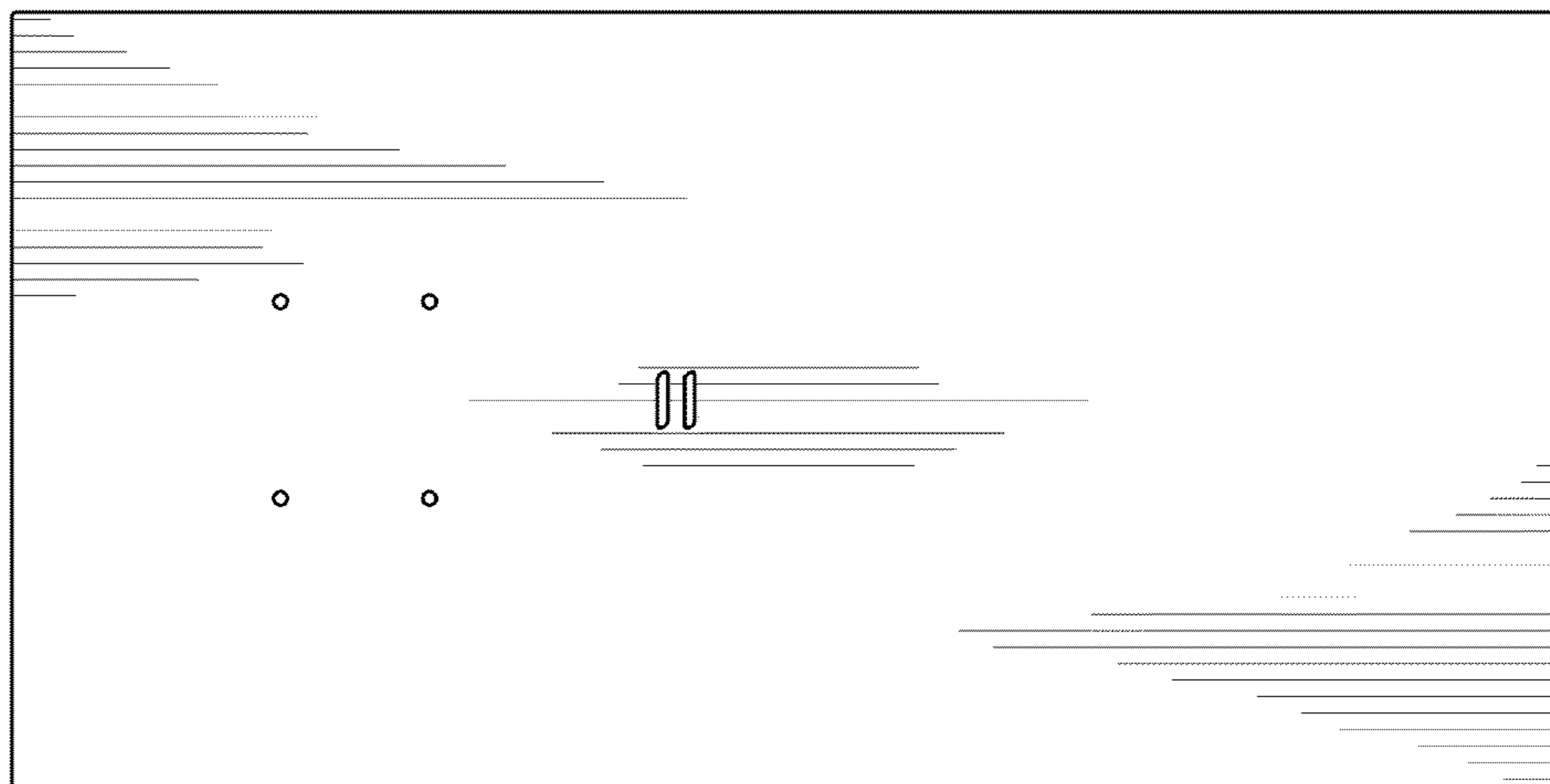


FIG. 3

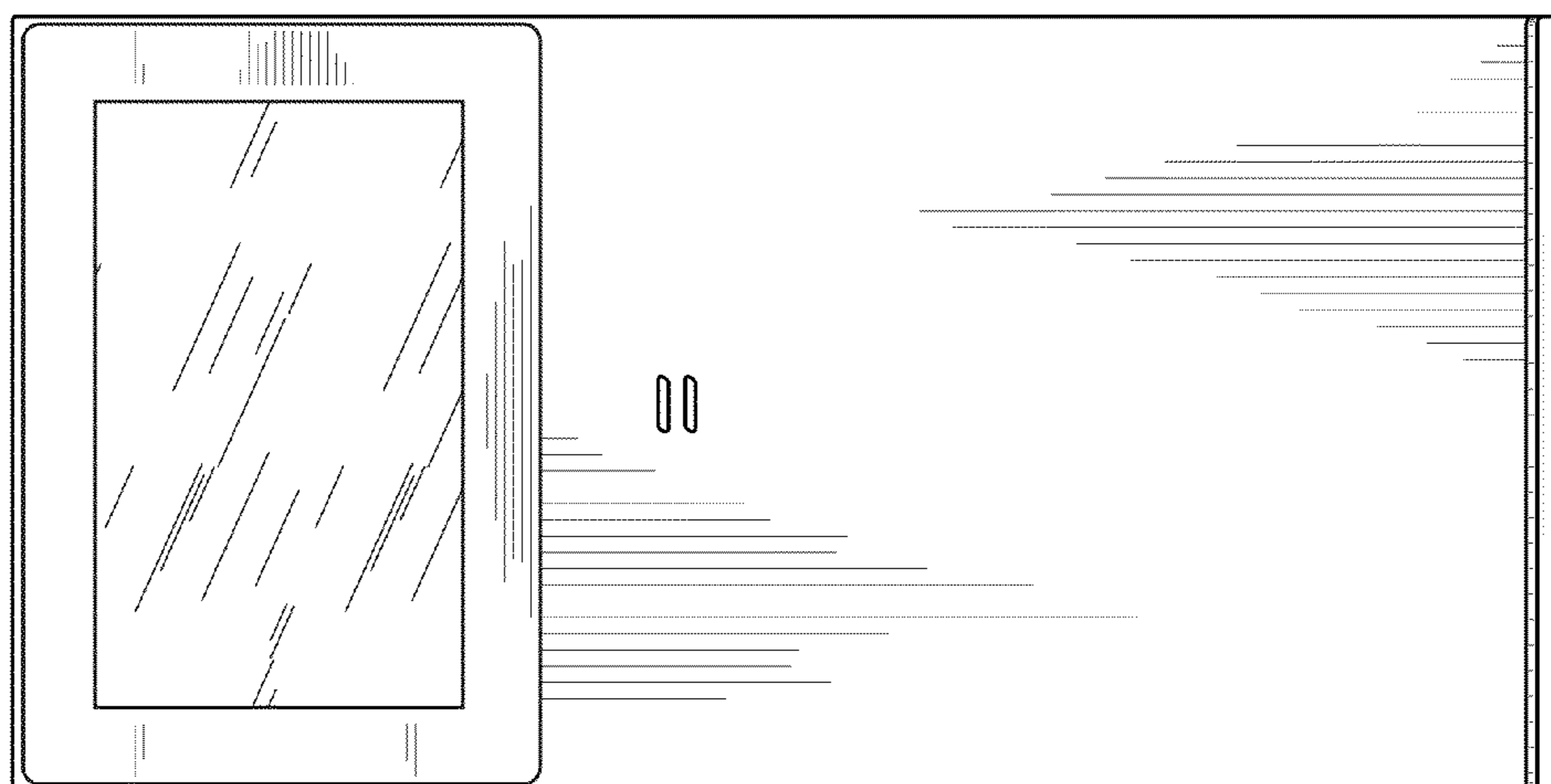


FIG. 2

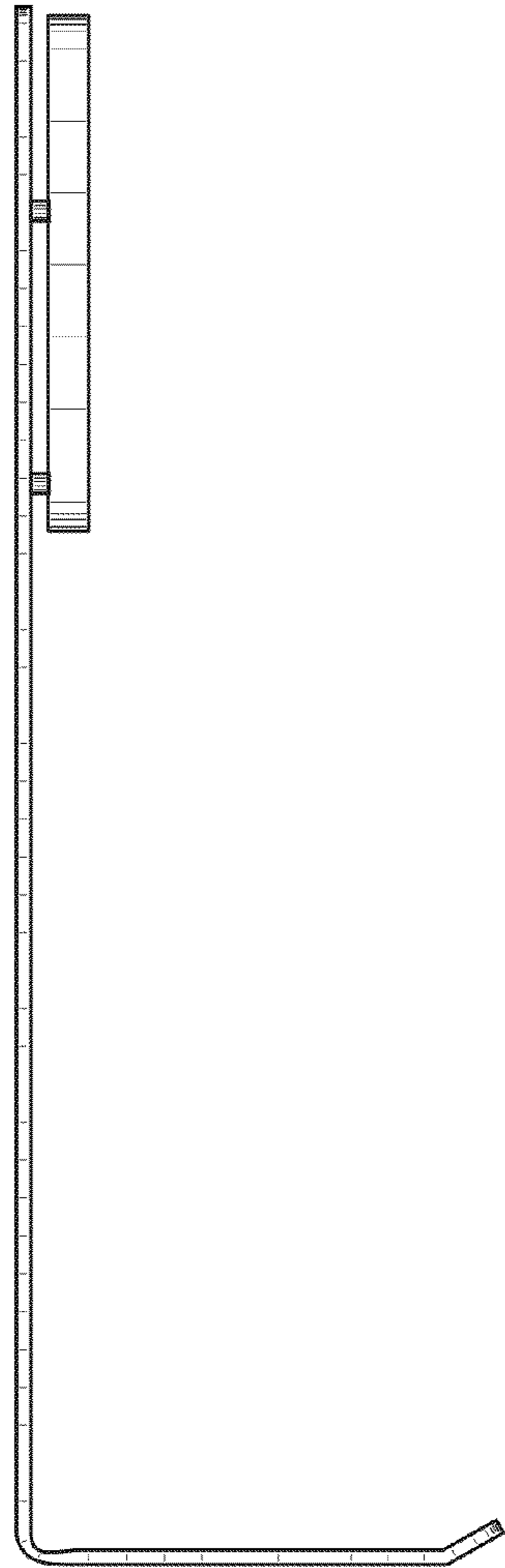


FIG. 4

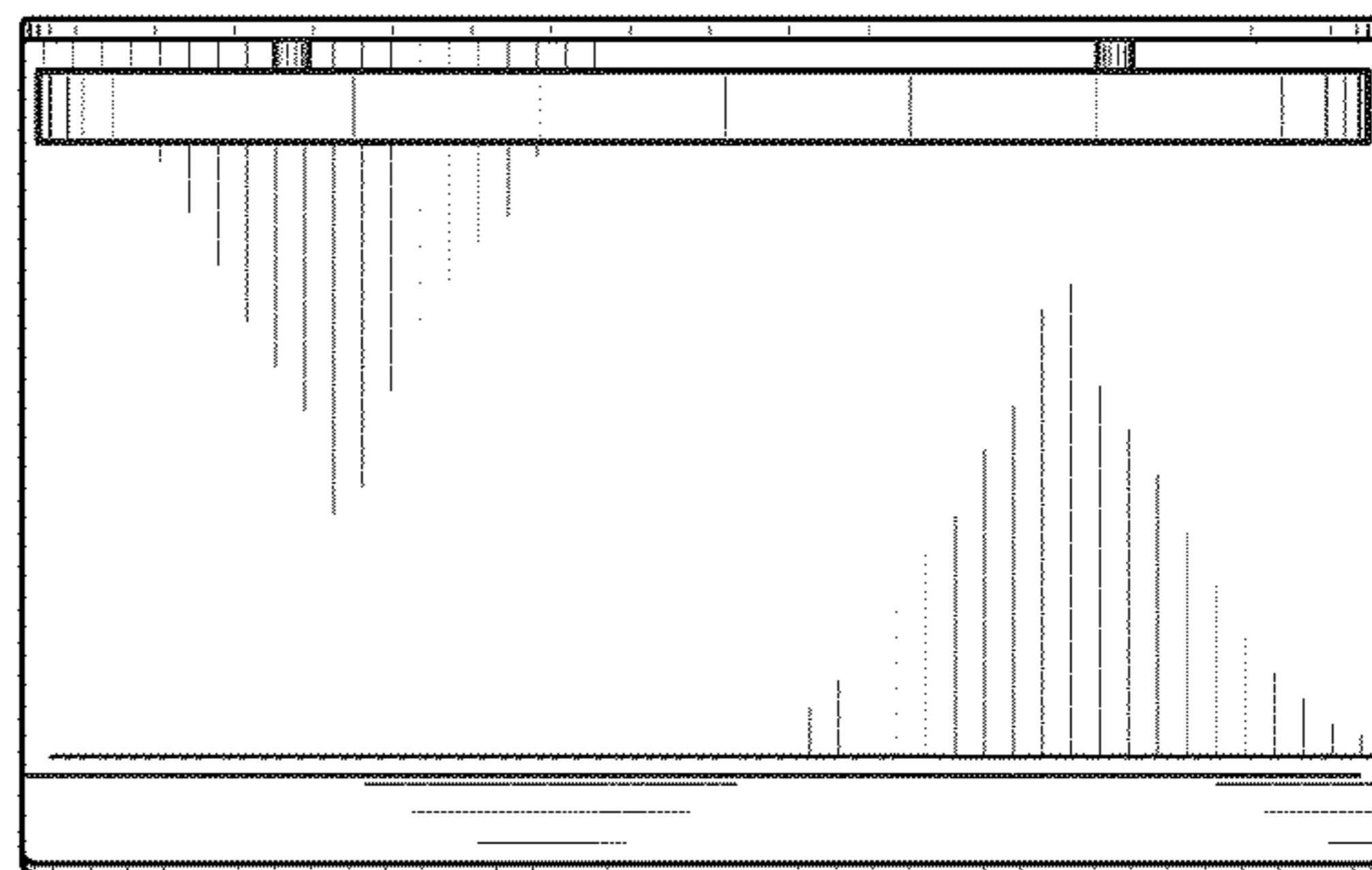


FIG. 5

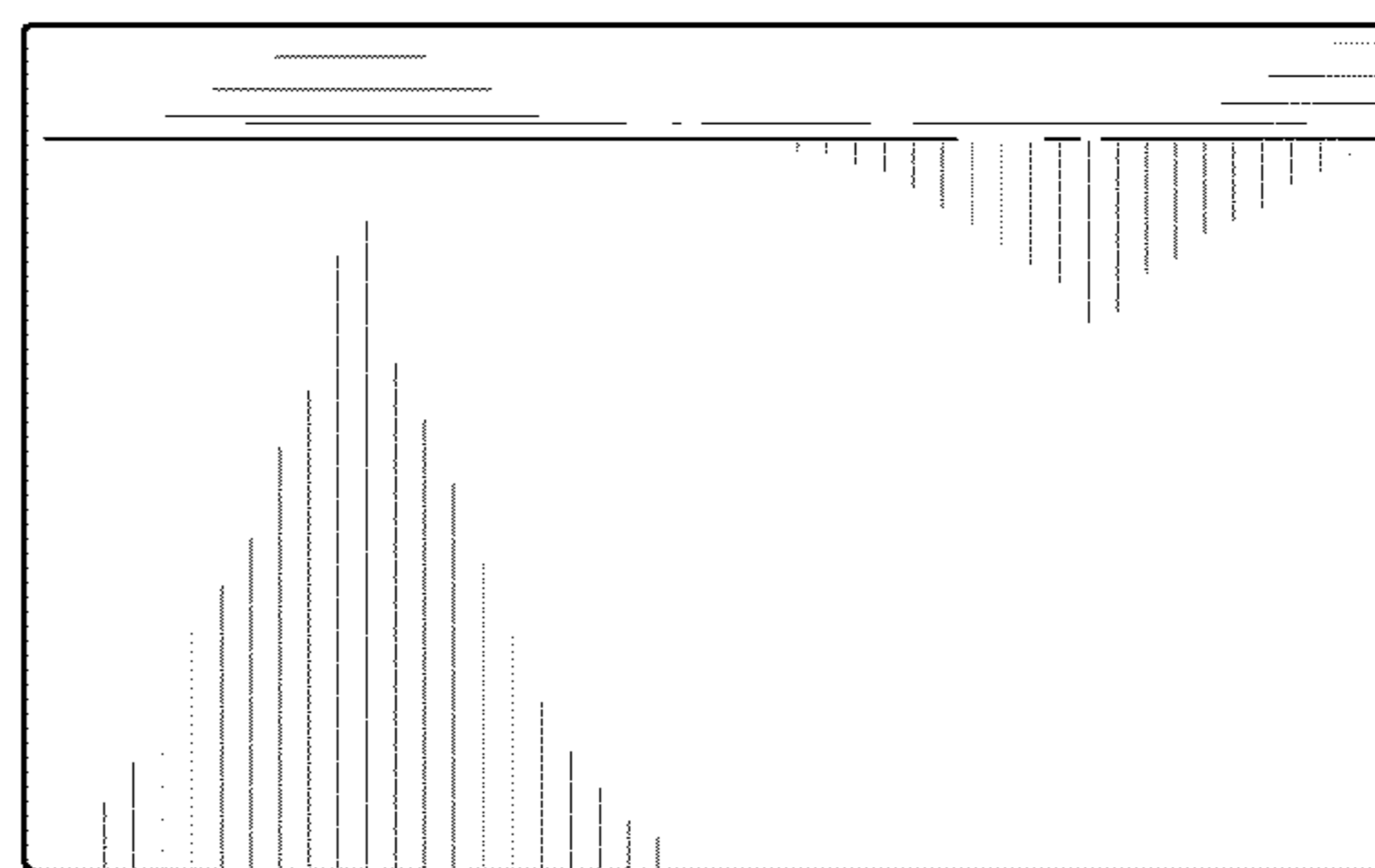


FIG. 6