



US00D722787S

(12) **United States Design Patent**
Miller

(10) **Patent No.:** **US D722,787 S**
(45) **Date of Patent:** **** Feb. 24, 2015**

- (54) **PLACARD**
- (71) Applicant: **Kenneth C. Miller**, Aptos, CA (US)
- (72) Inventor: **Kenneth C. Miller**, Aptos, CA (US)
- (**) Term: **14 Years**
- (21) Appl. No.: **29/434,571**
- (22) Filed: **Oct. 15, 2012**
- (51) **LOC (10) Cl.** **06-04**
- (52) **U.S. Cl.**
USPC **D6/574**
- (58) **Field of Classification Search**
USPC D26/60-66, 72, 82-90, 138; 362/153,
362/153.1, 267, 269, 281, 285, 287,
362/418-419, 427, 430
See application file for complete search history.

- D553,892 S * 10/2007 Lior D6/574
- D554,421 S * 11/2007 Sheppard D6/574
- D666,446 S * 9/2012 McShane D6/574

* cited by examiner

Primary Examiner — Brian N Vinson
(74) *Attorney, Agent, or Firm* — Blue Filament Law PLLC;
Avery N. Goldstein

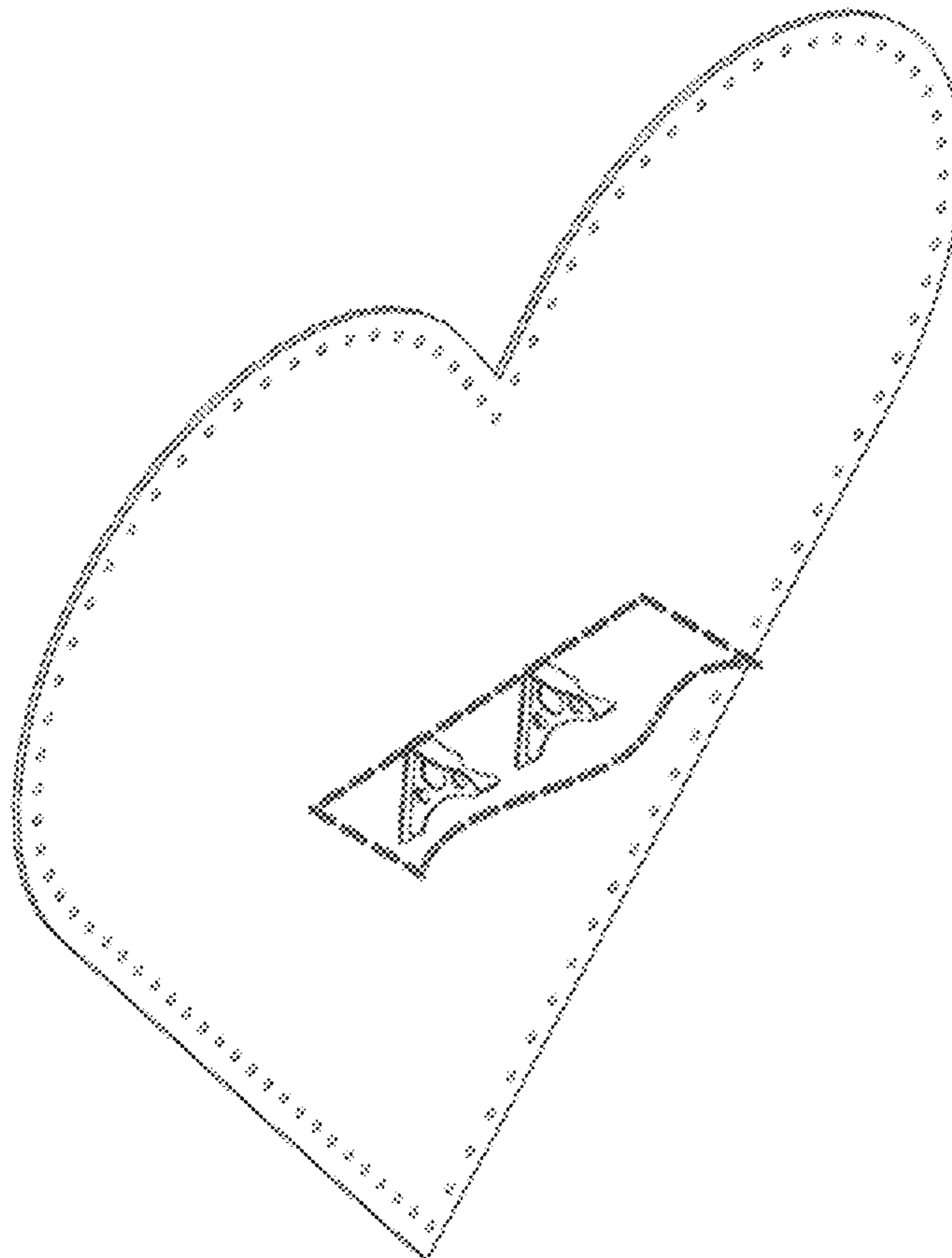
(57) **CLAIM**
The ornamental design for a placard, as shown and described.

DESCRIPTION

FIG. 1 is a downward perspective view of a placard, with a shelf shown in ghost;
FIG. 2 is an upward perspective view of the placard depicted in FIG. 1;
FIG. 3 is a front view of the placard depicted in FIG. 1;
FIG. 4 is a back view of the placard depicted in FIG. 1;
FIG. 5 is a right side view of the placard depicted in FIG. 1, where the left side view is a mirror image of that shown; and, FIG. 6 is a top view of the placard depicted in FIG. 1 where the bottom view is a similar to that shown save for a central point. The broken-line disclosure of a shelf forms no part of the claimed design.

- (56) **References Cited**
U.S. PATENT DOCUMENTS
D369,573 S * 5/1996 Sorce D11/133
D393,556 S * 4/1998 Jordan D6/540
D453,439 S * 2/2002 Bahariance D6/574

1 Claim, 5 Drawing Sheets



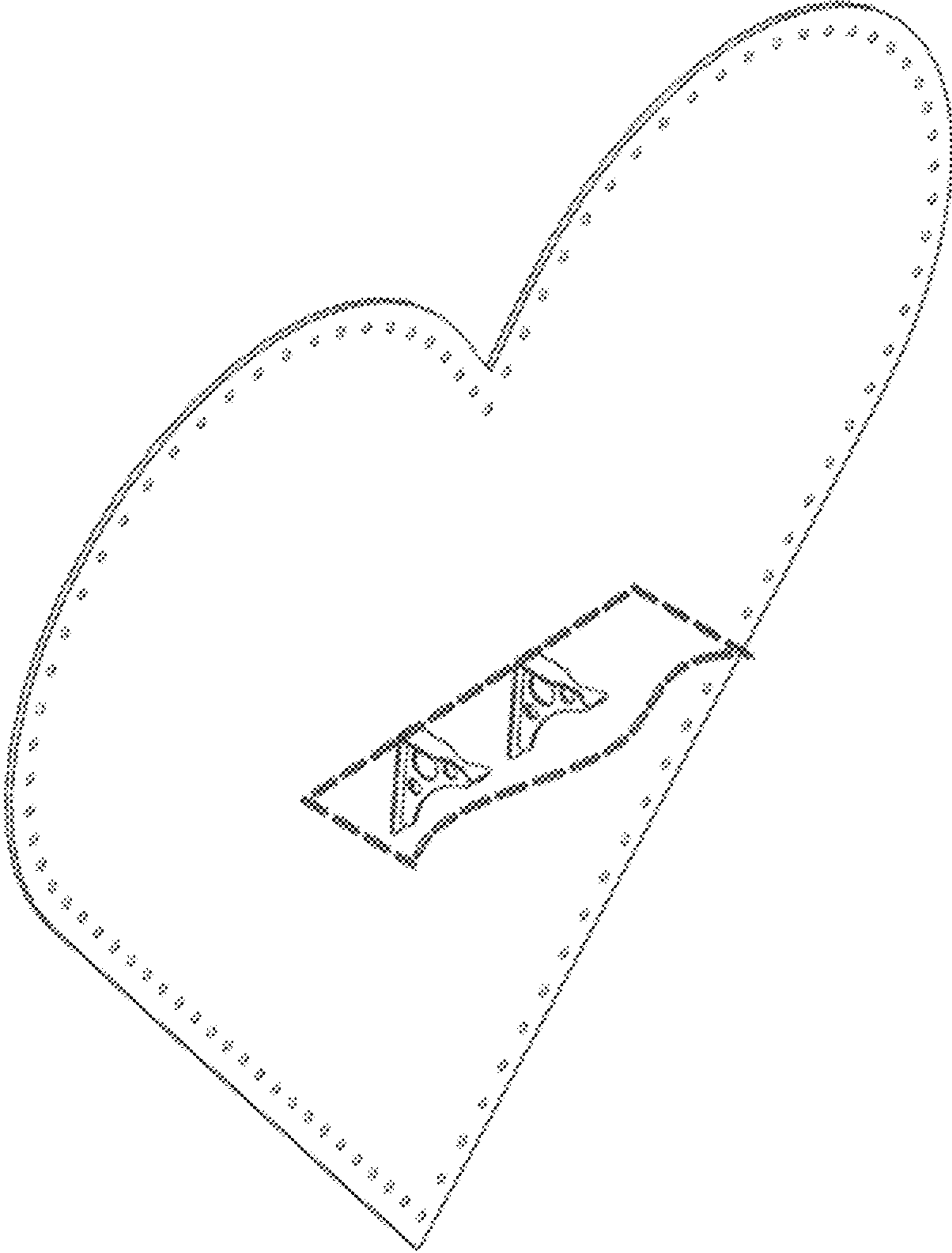


FIG. 1

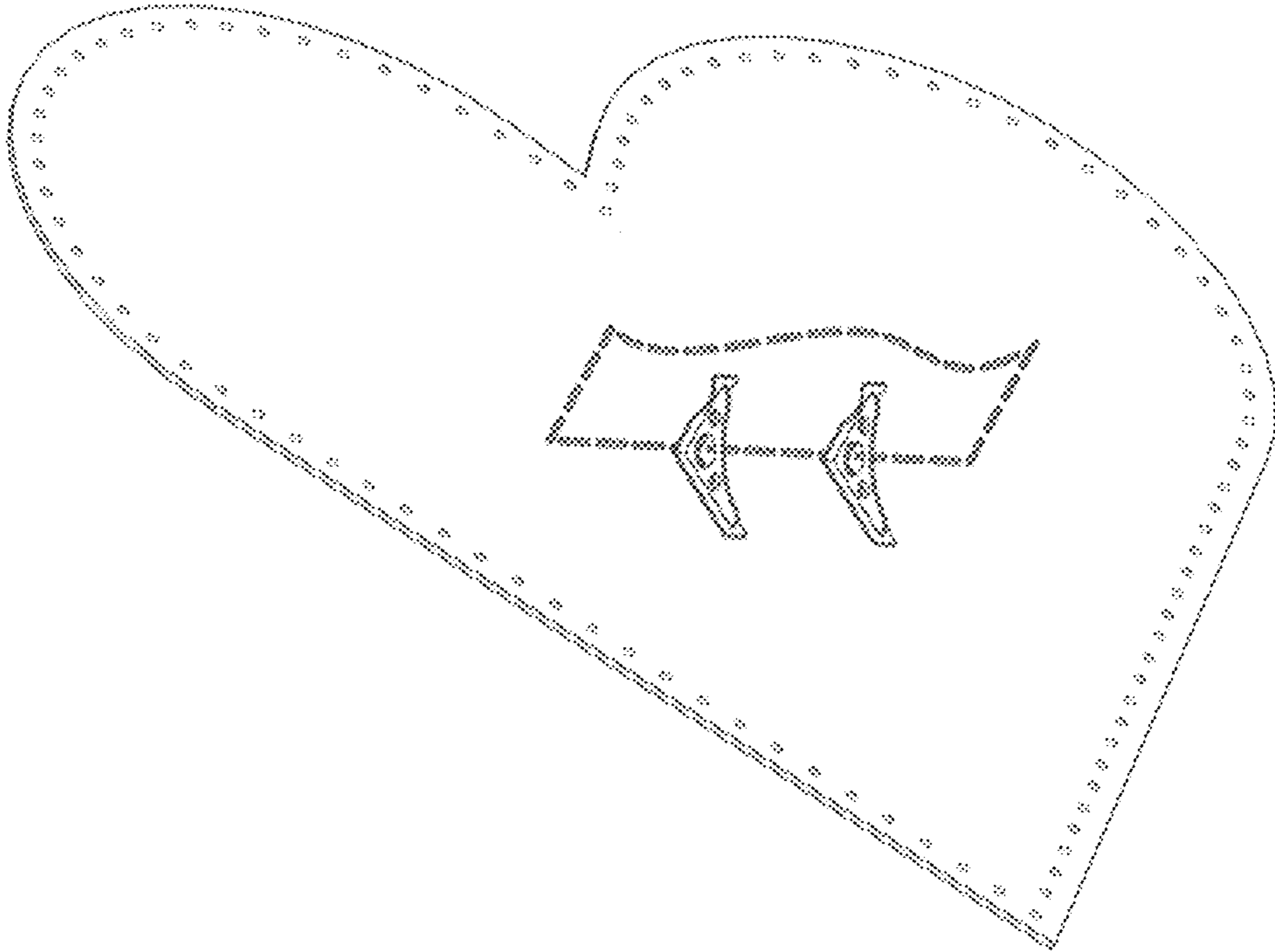


FIG. 2

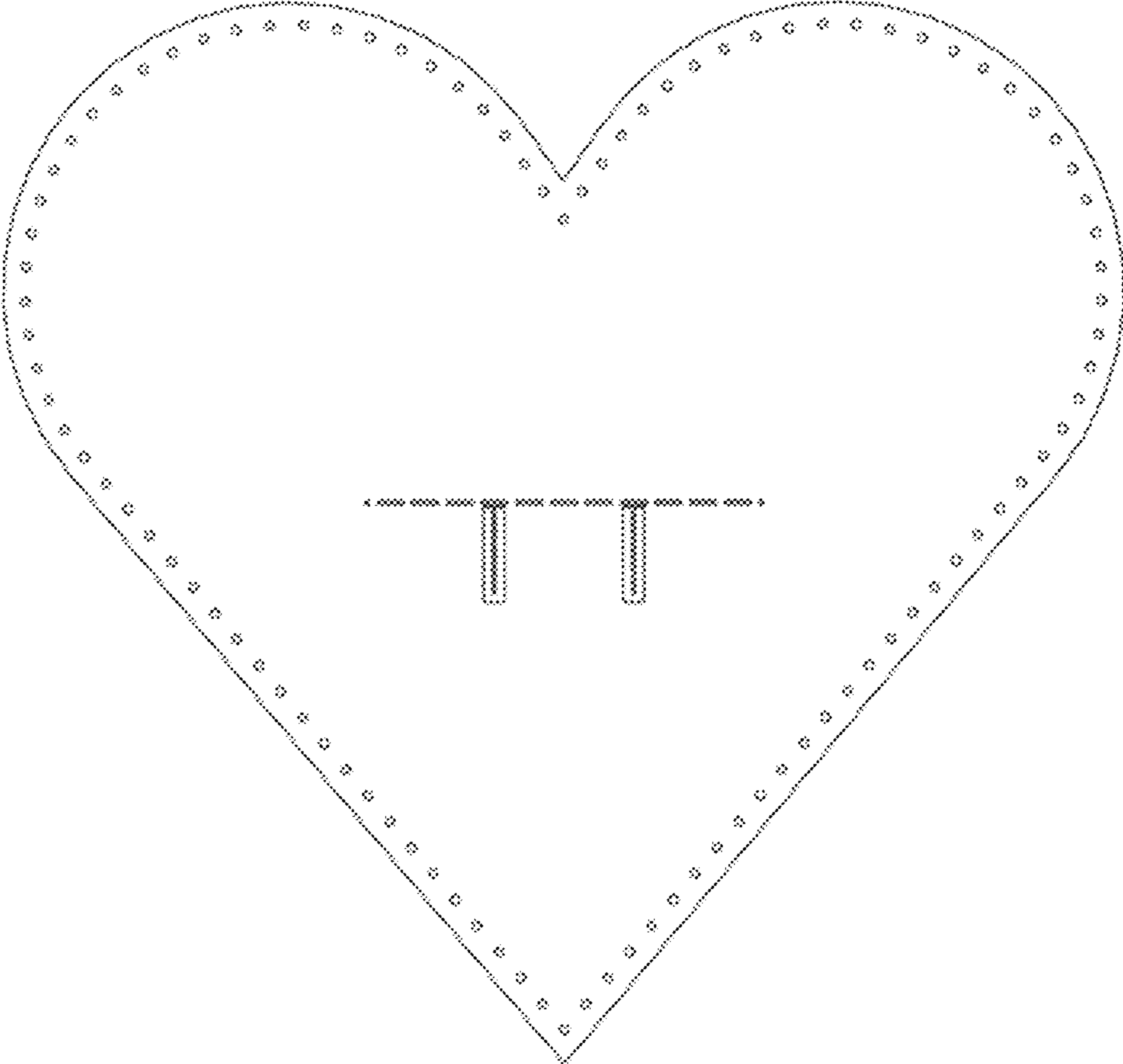


FIG. 3

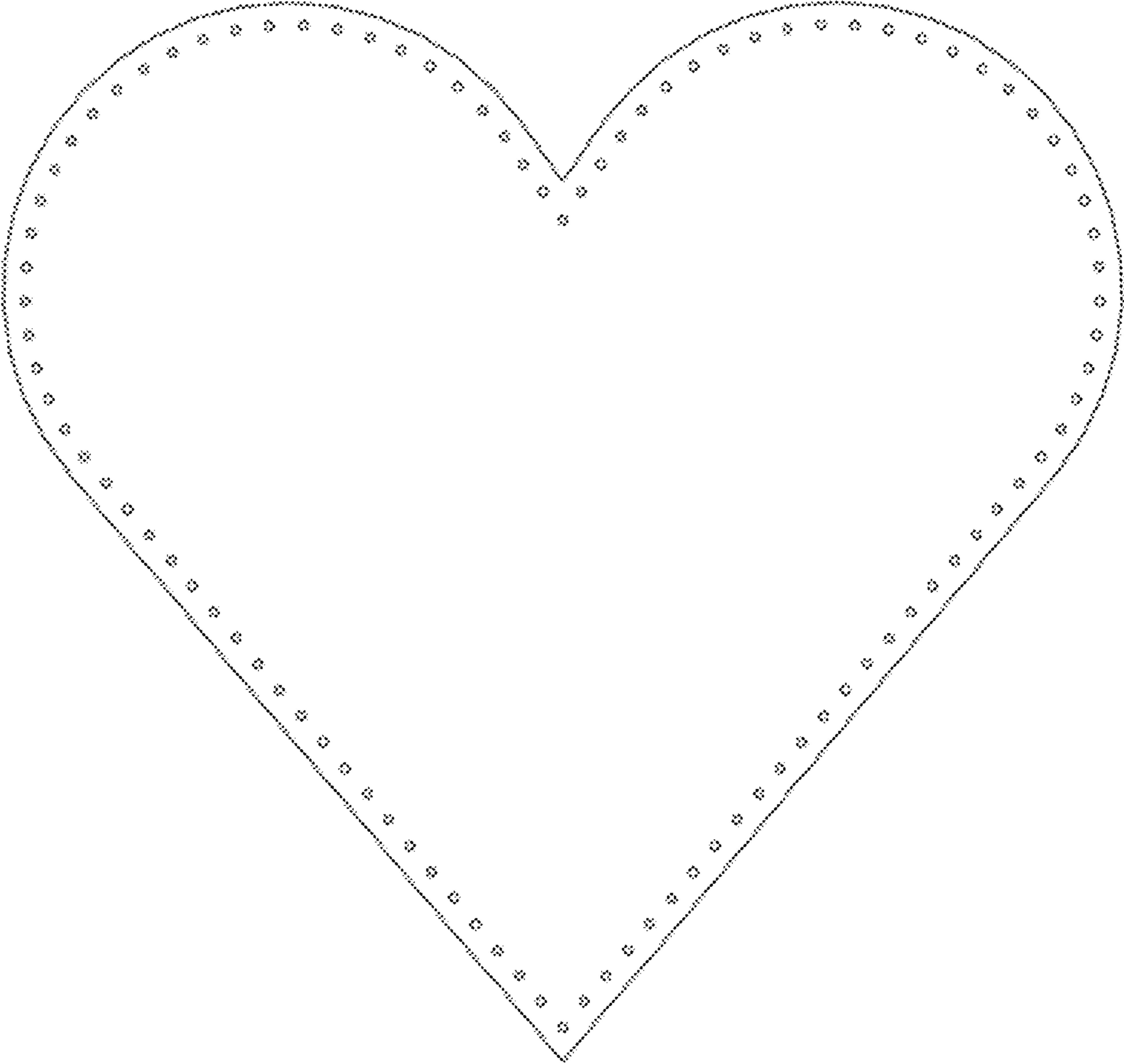


FIG. 4

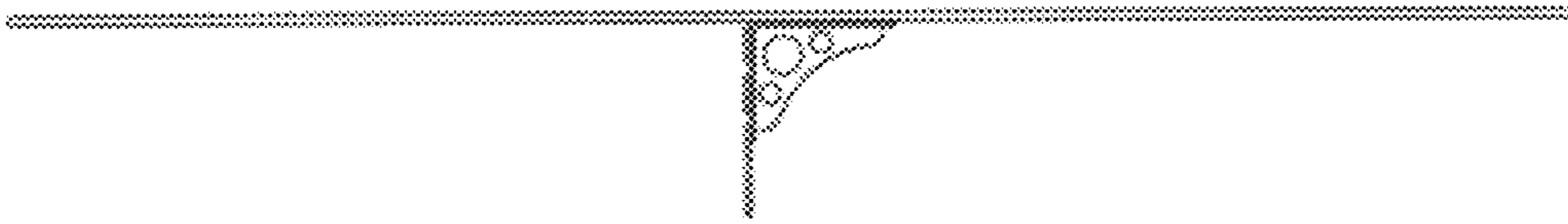


FIG. 5

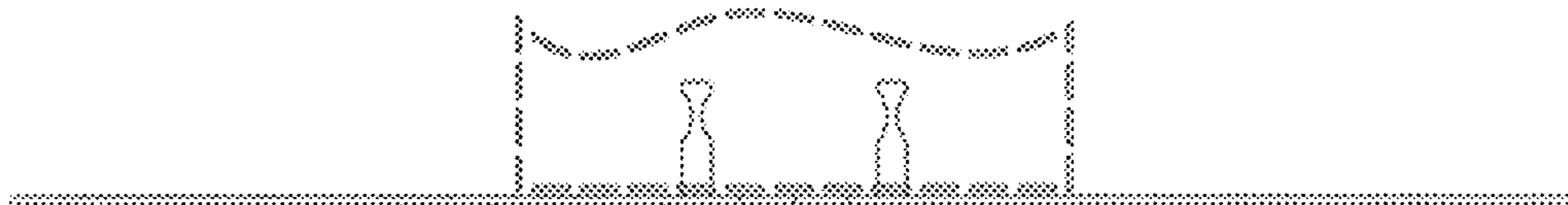


FIG. 6