



US00D722784S

(12) **United States Design Patent**
Thurman

(10) **Patent No.:** **US D722,784 S**

(45) **Date of Patent:** **** Feb. 24, 2015**

(54) **FISHING ROD HOLDER**

(71) Applicant: **Alvin R. Thurman**, Atlanta, GA (US)

(72) Inventor: **Alvin R. Thurman**, Atlanta, GA (US)

(**) Term: **14 Years**

(21) Appl. No.: **29/457,933**

(22) Filed: **Jun. 14, 2013**

(51) **LOC (10) Cl.** **08-08**

(52) **U.S. Cl.**
USPC **D6/552**

(58) **Field of Classification Search**
USPC D6/552, 553, 567, 396; D11/134, 158;
211/13.1, 60.1, 64, 70.2, 70.6, 70.8;
248/512, 520, 538; 43/21.2; D8/349,
D8/354, 373, 380

See application file for complete search history.

(56) **References Cited**

U.S. PATENT DOCUMENTS

D272,785 S	2/1984	Rumbaugh	
4,856,221 A	8/1989	Thompson	
D303,192 S	9/1989	Bogar, III	
D335,058 S	4/1993	Williams	
5,257,700 A	11/1993	Wallace	
5,307,585 A	5/1994	Thompson	
D371,726 S *	7/1996	Strohlein	D11/134
D378,482 S	3/1997	Hall, Sr. et al.	
5,625,973 A	5/1997	Anthony	
D380,327 S	7/1997	Marshall et al.	
5,979,102 A	11/1999	Sagryn	
6,216,889 B1	4/2001	Chang	
D503,440 S *	3/2005	Weiser et al.	D11/158
D520,407 S *	5/2006	Zhang	D11/158
D556,485 S *	12/2007	Allain	D6/552
D655,549 S *	3/2012	Allain	D6/552

* cited by examiner

Primary Examiner — Brian N Vinson

(74) *Attorney, Agent, or Firm* — Withers & Keys, LLC

(57) **CLAIM**

The ornamental design for a fishing rod holder, as shown and described.

DESCRIPTION

FIG. 1 shows a side view of a fishing rod holder including a fish-shaped holder element mounted protruding from a standard base.

FIG. 2 shows a front view of a fishing rod holder including a fish-shaped holder element mounted protruding from a standard base.

FIG. 3 shows a top view of a fishing rod holder including a fish-shaped holder element mounted protruding from a standard base.

FIG. 4 shows an isometric view of a fishing rod holder including a fish-shaped holder element mounted protruding from a standard base and also includes a second fishing rod holder shown in phantom.

FIG. 5 shows another isometric view of a fishing rod holder including a fish-shaped holder element mounted protruding from a standard base and also includes a second fishing rod holder shown in phantom; and,

FIG. 6 shows yet another isometric view of a fishing rod holder including a fish-shaped holder element mounted protruding from a standard base and also includes a second fishing rod holder and two fishing rods shown in phantom.

The second fishing rod holder shown in each of FIGS. 4-6 in phantom lines is for illustrative purposes only and forms no part of the claimed design. Additionally, the fishing rods shown supported in FIG. 6 in phantom lines are for illustrative purposes only and likewise form no part of the claimed design.

1 Claim, 4 Drawing Sheets

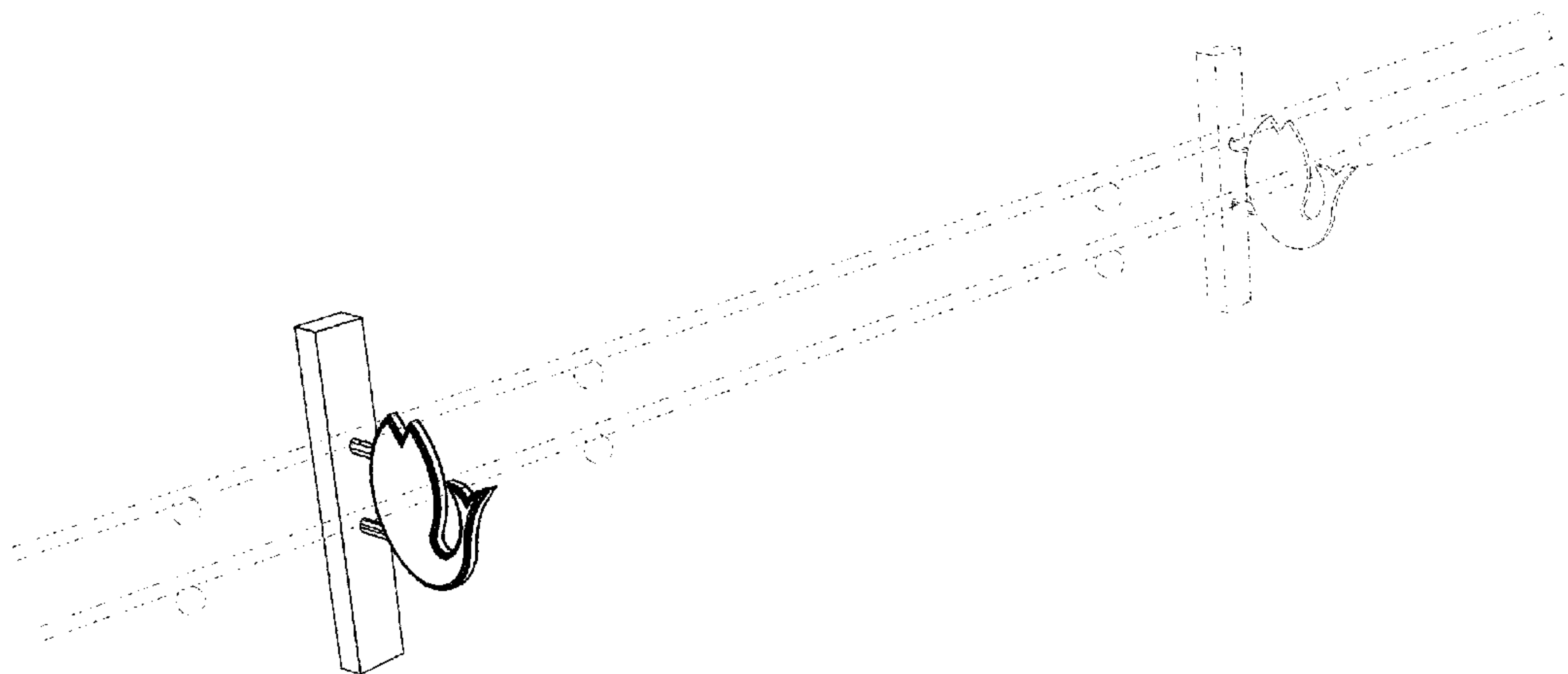


Fig. 1

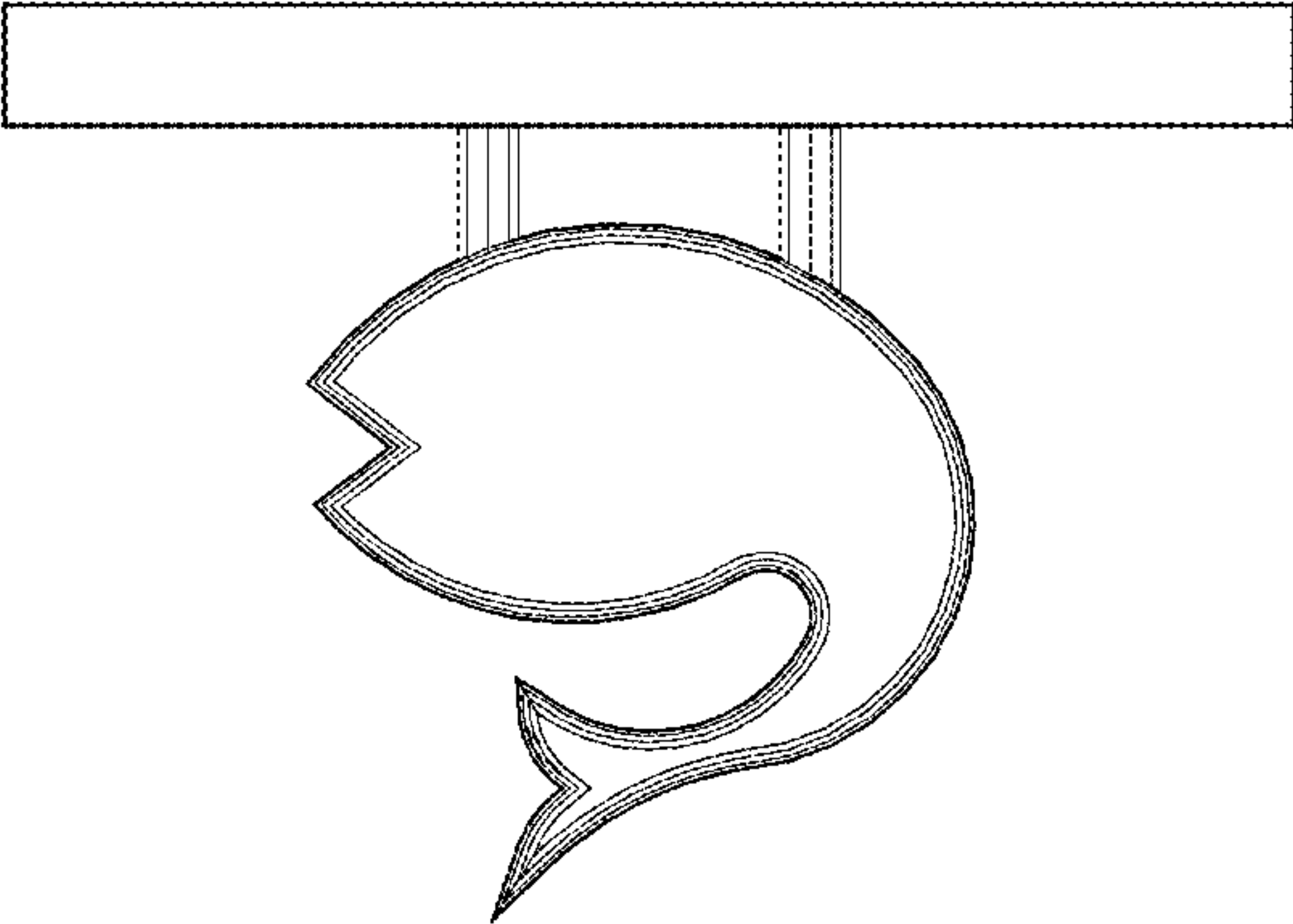
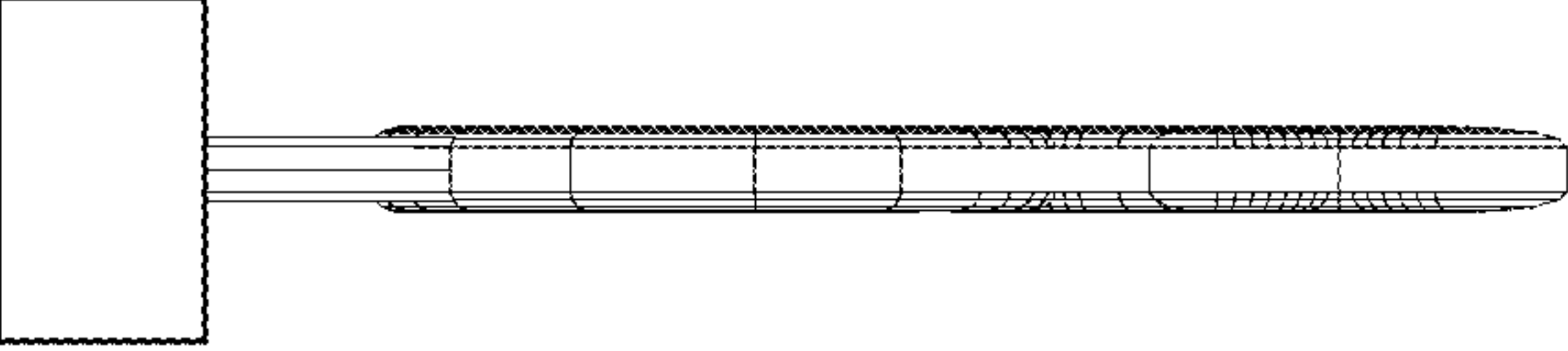


Fig. 2



Fig. 3



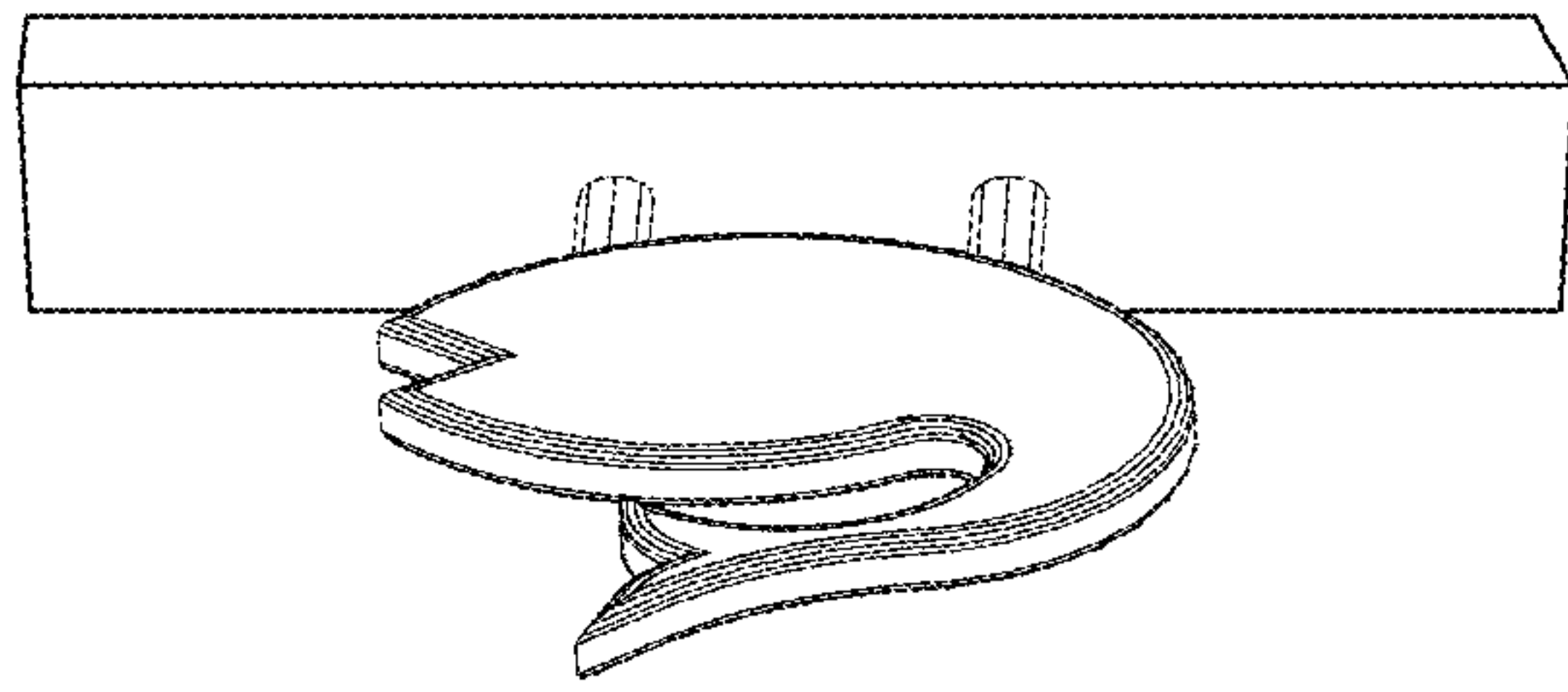
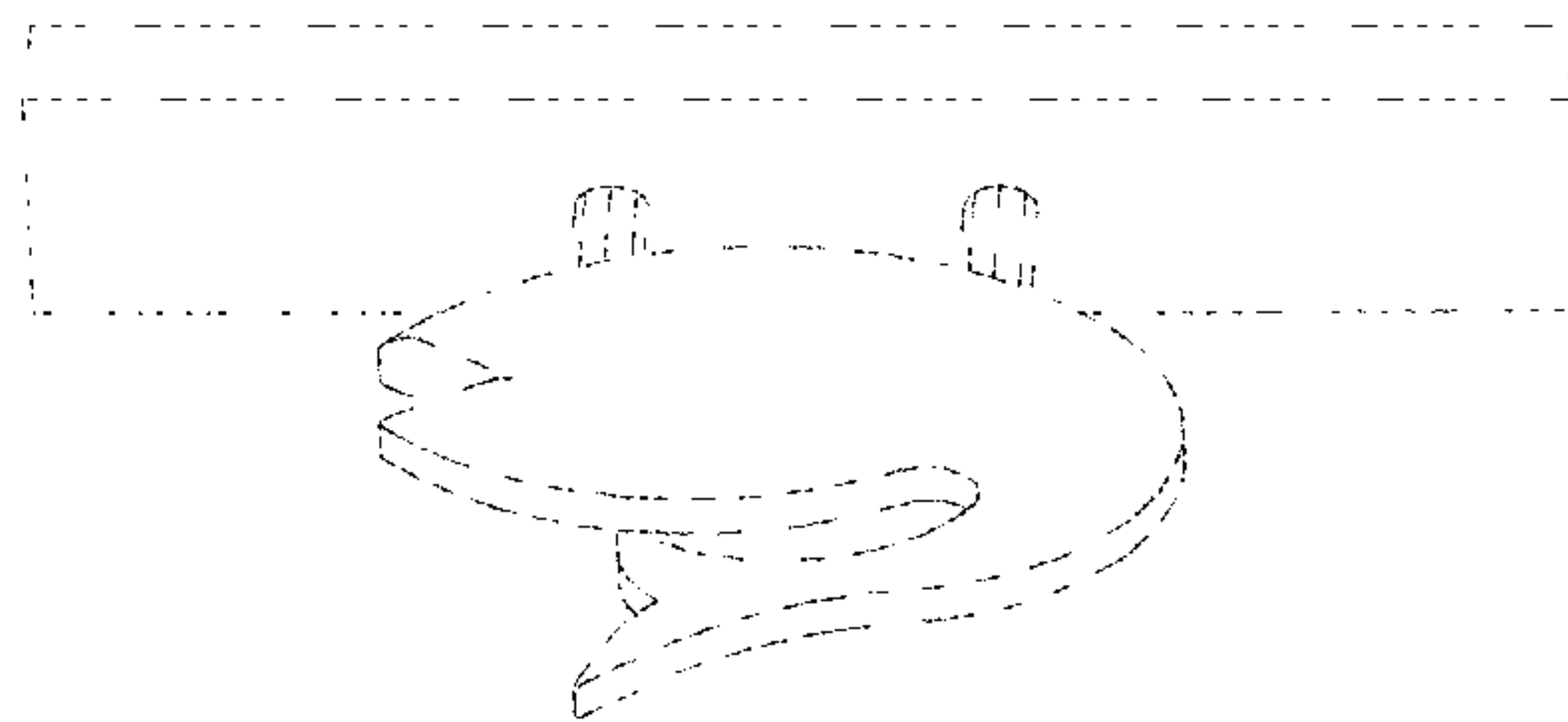


Fig. 4



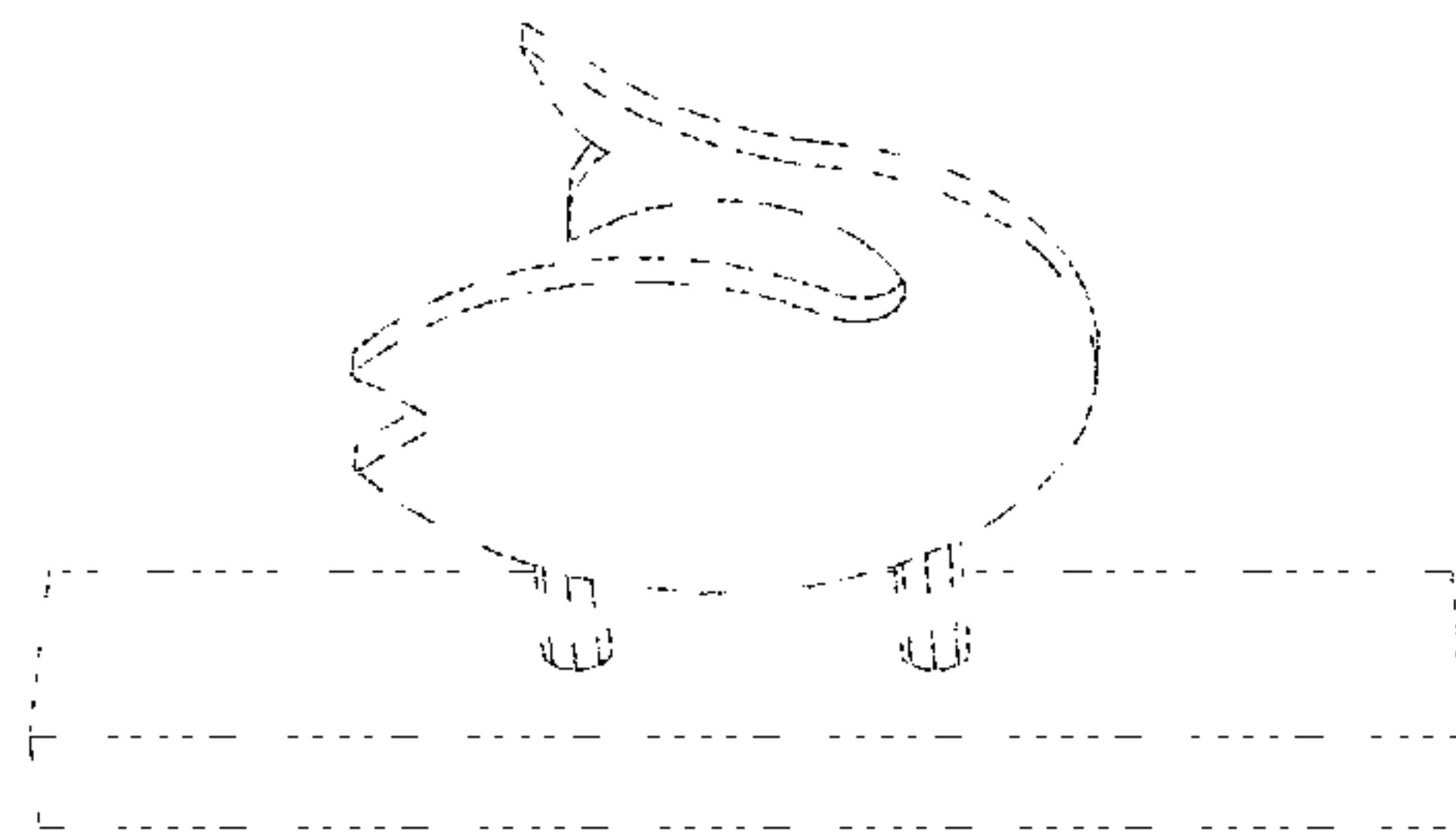


Fig. 5

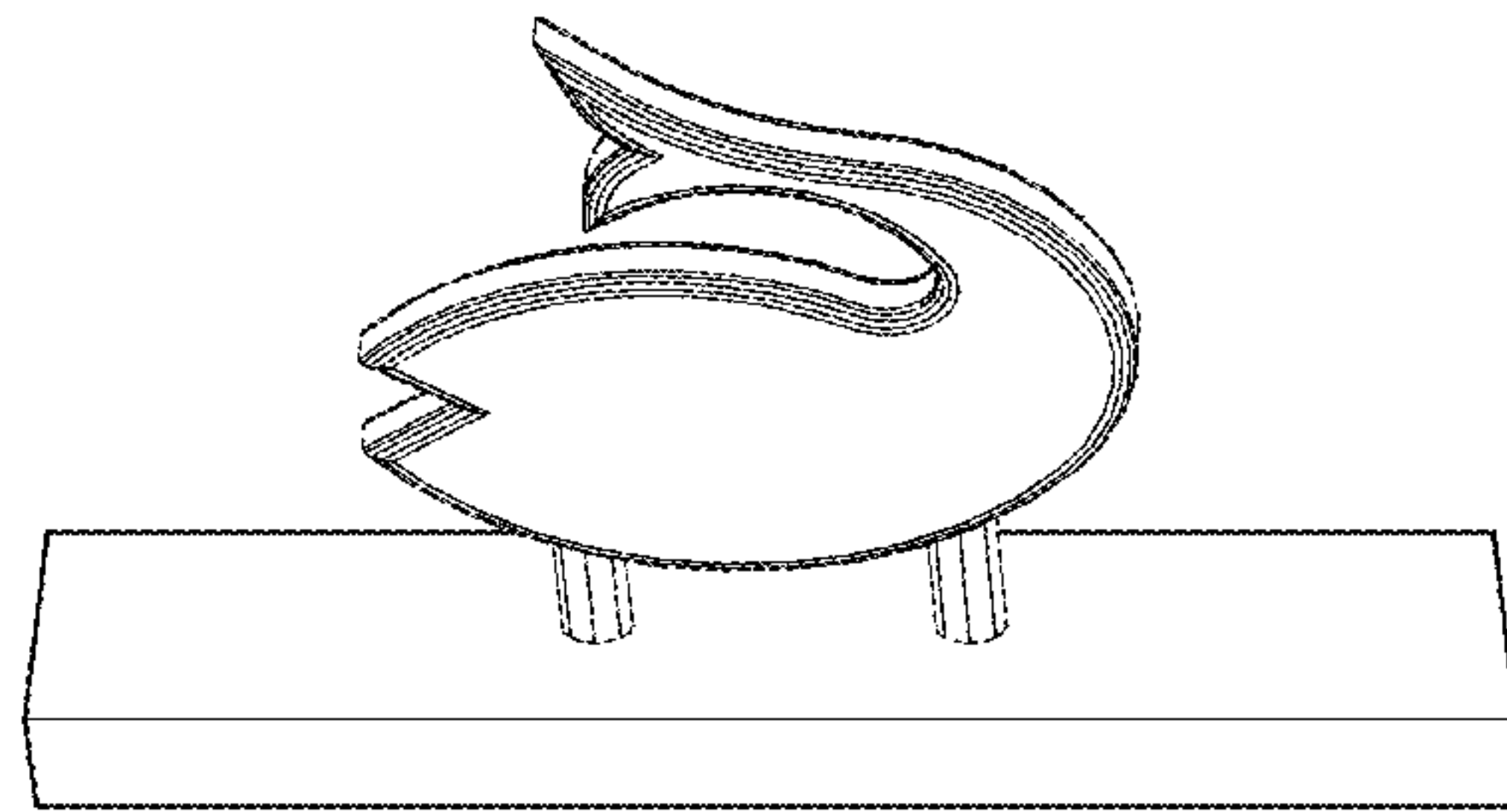


Fig. 6

