



US00D722783S

(12) **United States Design Patent**
Tuttle

(10) **Patent No.:** **US D722,783 S**

(45) **Date of Patent:** **** Feb. 24, 2015**

- (54) **ROLL PAPER TOWEL HOLDER**
- (71) Applicant: **Billy W. Tuttle**, Burlington, KY (US)
- (72) Inventor: **Billy W. Tuttle**, Burlington, KY (US)
- (**) Term: **14 Years**
- (21) Appl. No.: **29/476,038**
- (22) Filed: **Dec. 10, 2013**

D555,954	S *	11/2007	Yang et al.	D6/521
D562,042	S *	2/2008	Shek	D6/521
7,559,504	B2	7/2009	Yang et al.		
D609,949	S *	2/2010	Yang et al.	D6/521
D635,806	S *	4/2011	Bodum	D6/521
D672,590	S *	12/2012	Yang et al.	D6/521
8,602,345	B2	12/2013	Tuttle		
D704,473	S *	5/2014	Hartshorn et al.	D6/521
D714,074	S *	9/2014	Murphy	D6/521
2002/0130211	A1	9/2002	Kerr		
2007/0158489	A1	7/2007	Anderson		

Related U.S. Application Data

- (63) Continuation of application No. 13/374,990, filed on Jan. 27, 2012, now Pat. No. 8,602,345.
- (51) **LOC (10) Cl.** **20-02**
- (52) **U.S. Cl.**
USPC **D6/521**
- (58) **Field of Classification Search**
USPC D6/518-523; 206/389, 391; 211/13.1, 211/59.1, 45, 890.1; 242/570, 590, 597.7; 248/309.1, 309.2
See application file for complete search history.

References Cited

U.S. PATENT DOCUMENTS

1,242,927	A	10/1917	Du Brul		
1,518,749	A	12/1924	Nelson		
3,048,348	A	8/1962	Griffin		
5,788,136	A	8/1998	Othman		
6,776,368	B1	8/2004	Duncan et al.		
6,832,739	B1	12/2004	Kraus		
D520,785	S *	5/2006	Joseph	D6/521
7,048,225	B2	5/2006	Delfino		
D545,599	S *	7/2007	Yu	D6/521
7,264,197	B2	9/2007	Yu		

OTHER PUBLICATIONS

Commercial Paper Towel Dispenser (photo by Applicant), purchased by Applicant Jul. 2012 (1 page/photo).

* cited by examiner

Primary Examiner — Brian N Vinson

(74) *Attorney, Agent, or Firm* — Hasse & Nesbitt LLC; Daniel F. Nesbitt

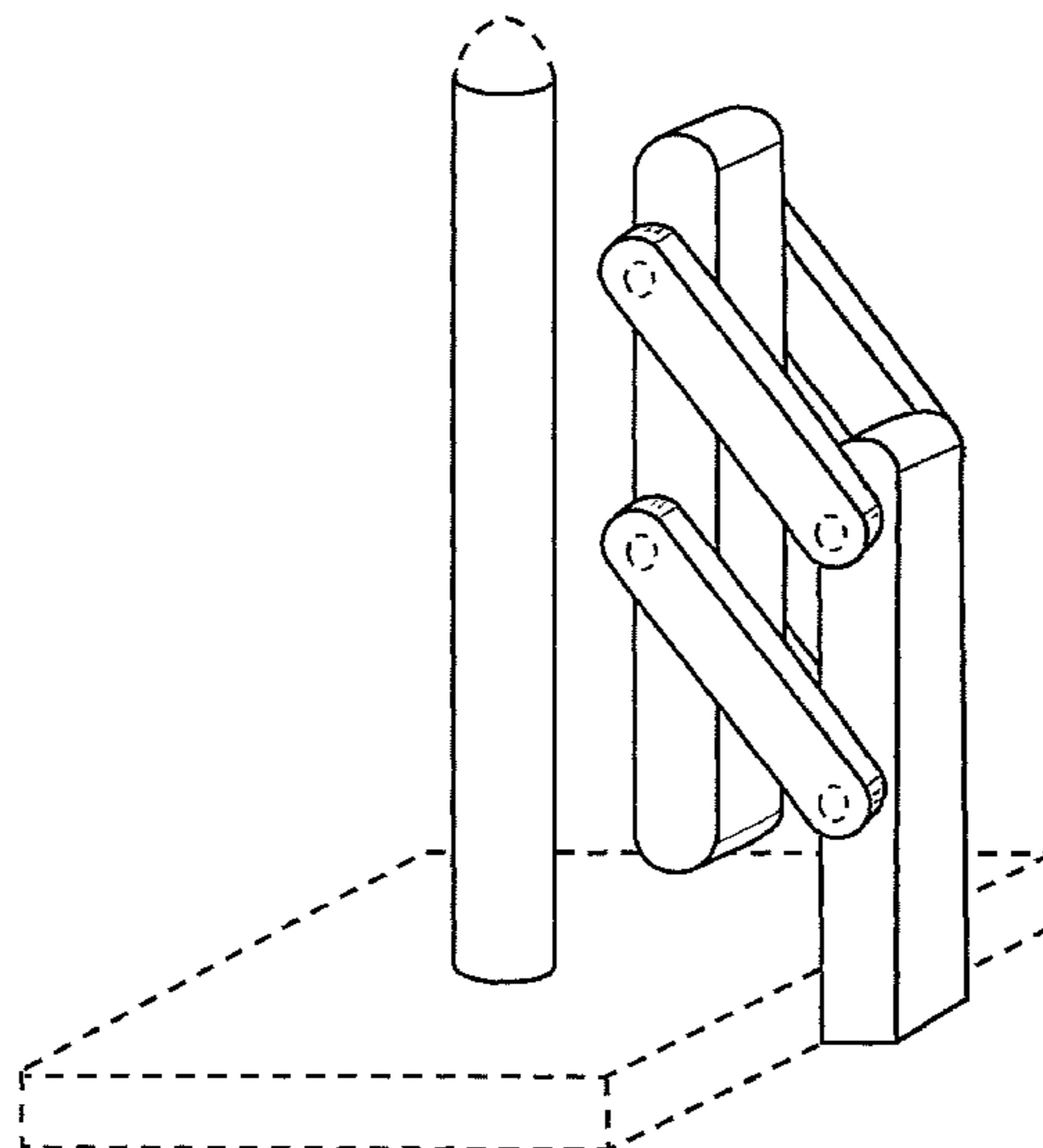
(57) **CLAIM**

I claim the ornamental design for a roll paper towel holder, as shown and described.

DESCRIPTION

FIG. 1 is a perspective view of a roll paper towel holder. FIG. 2 is a left side view of the roll paper towel holder, with the right side view being a mirror image thereof. FIG. 3 is a rear view of the roll paper towel holder. FIG. 4 is a front view of the roll paper towel holder. FIG. 5 is a top view of the roll paper towel holder; and, FIG. 6 is a bottom view of the roll paper towel holder. The broken lines in the disclosure represent portions of the holder which form no part of the claimed design.

1 Claim, 3 Drawing Sheets



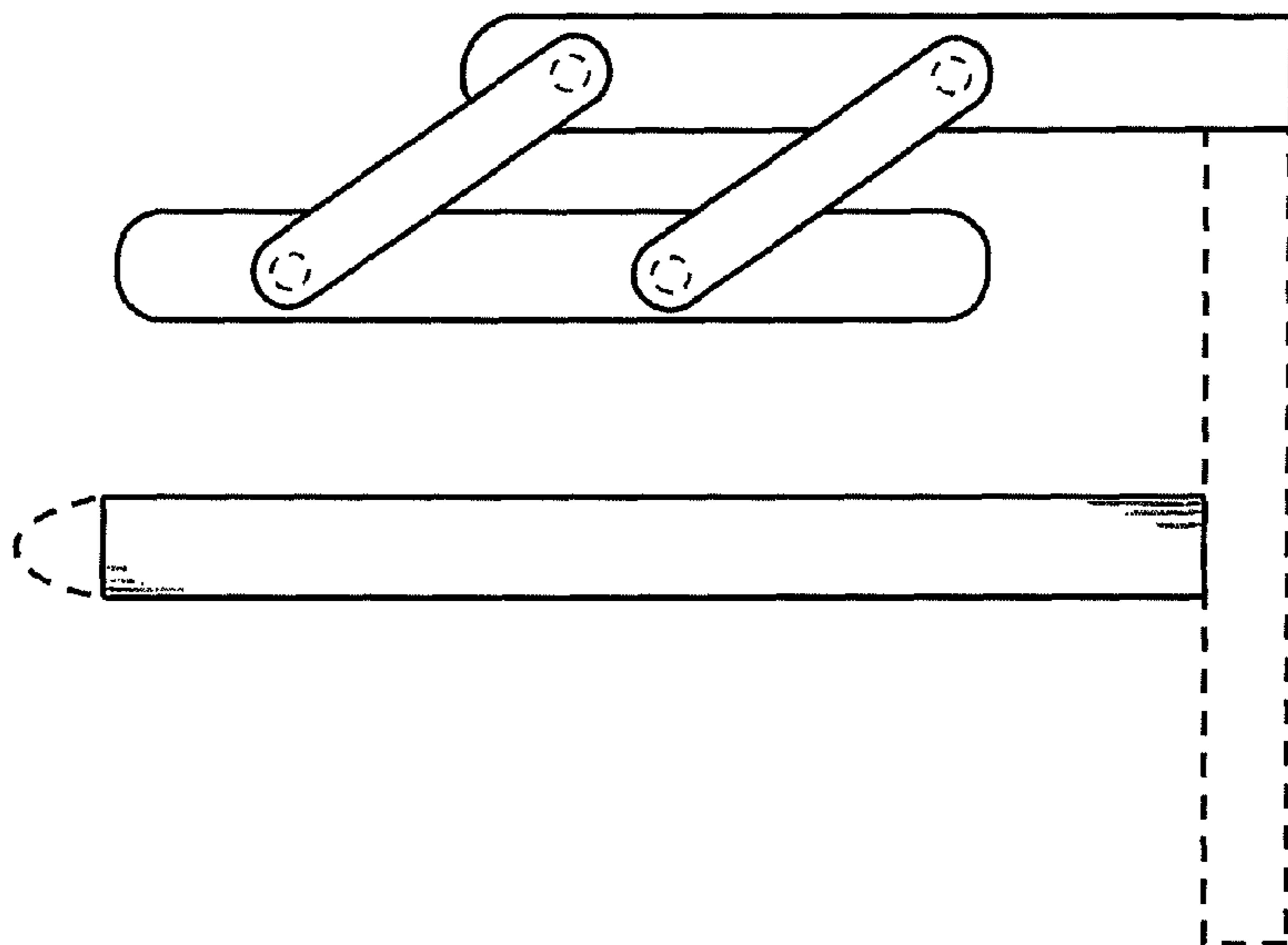


FIG. 2

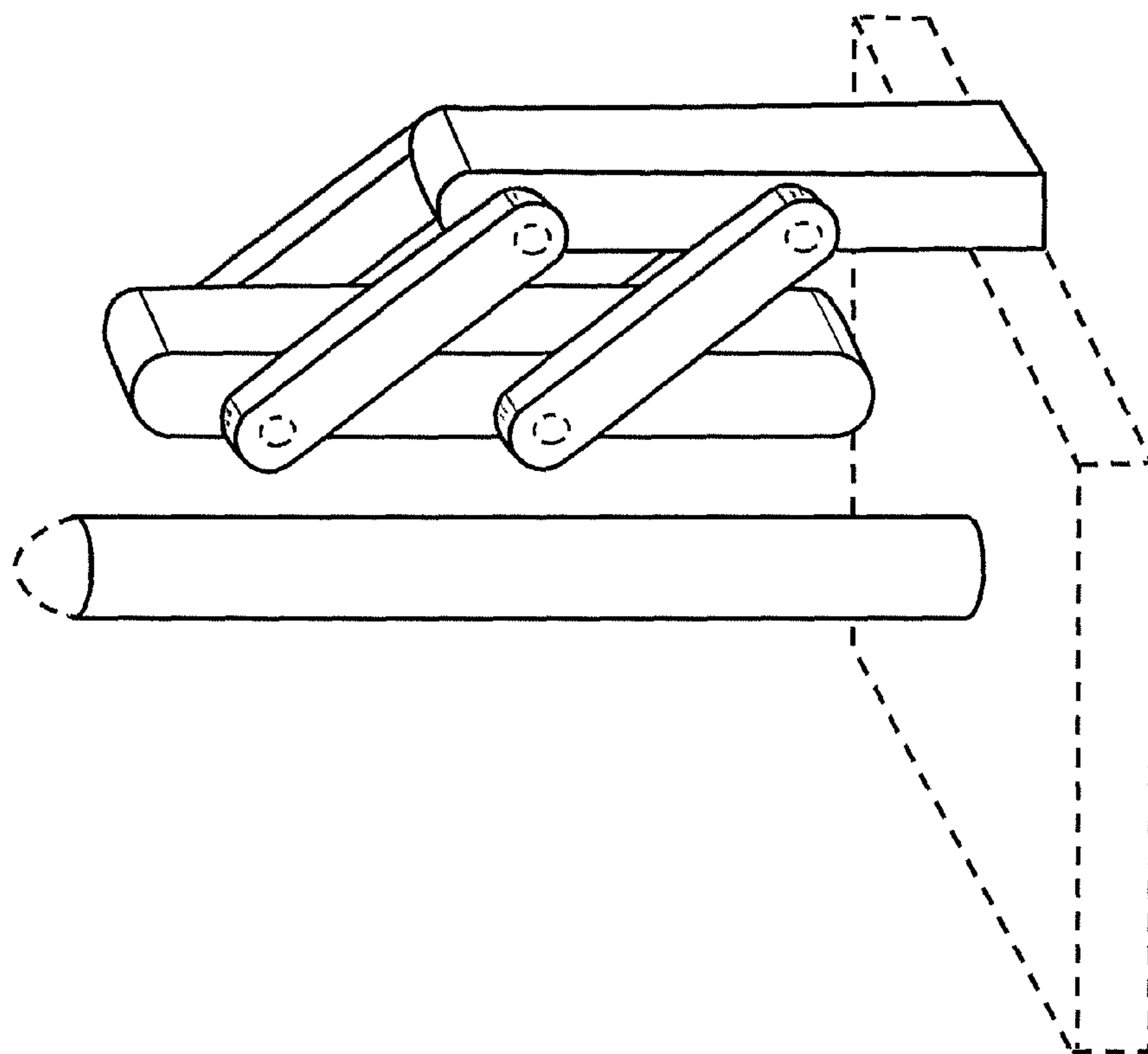


Fig. 1

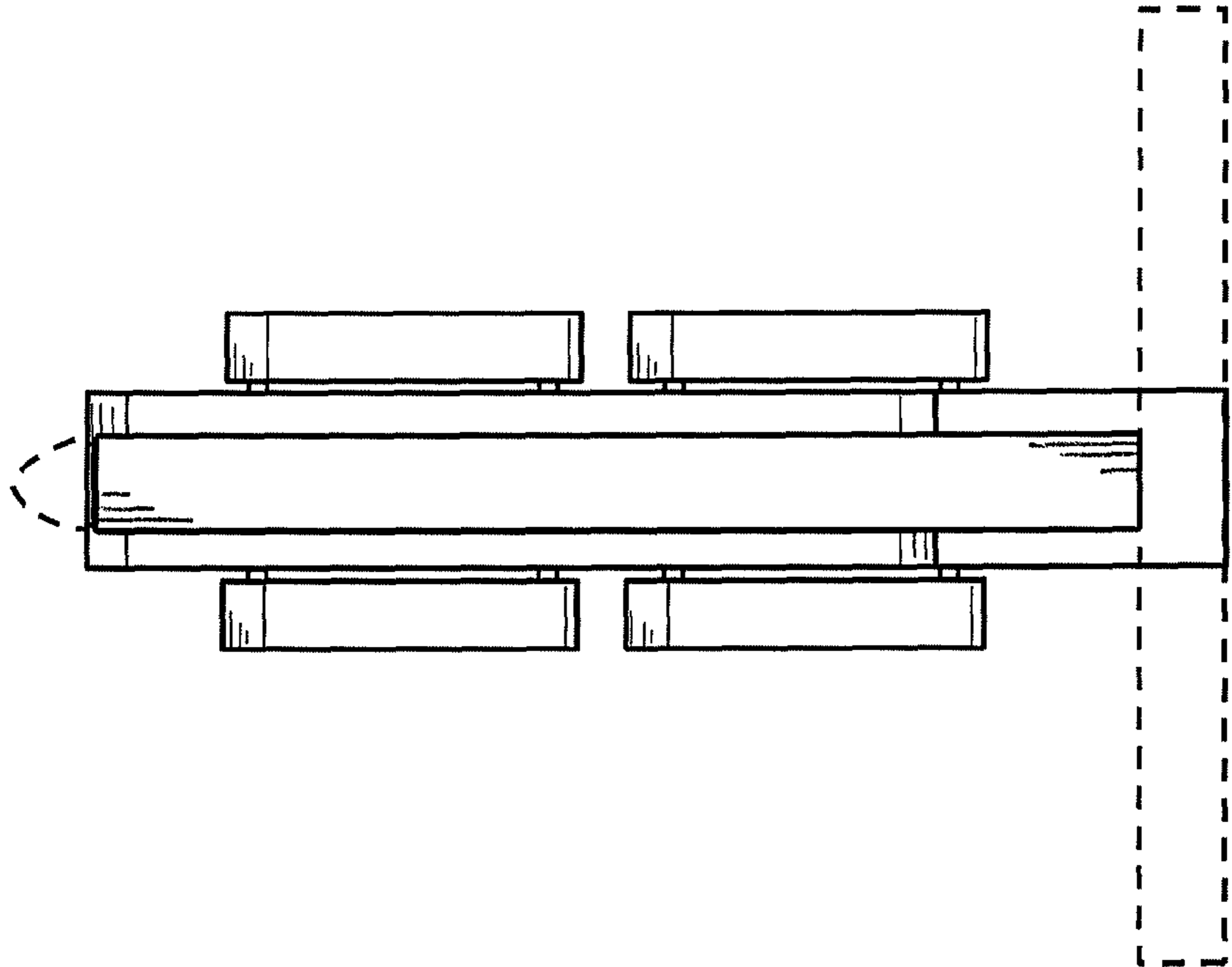


FIG. 4

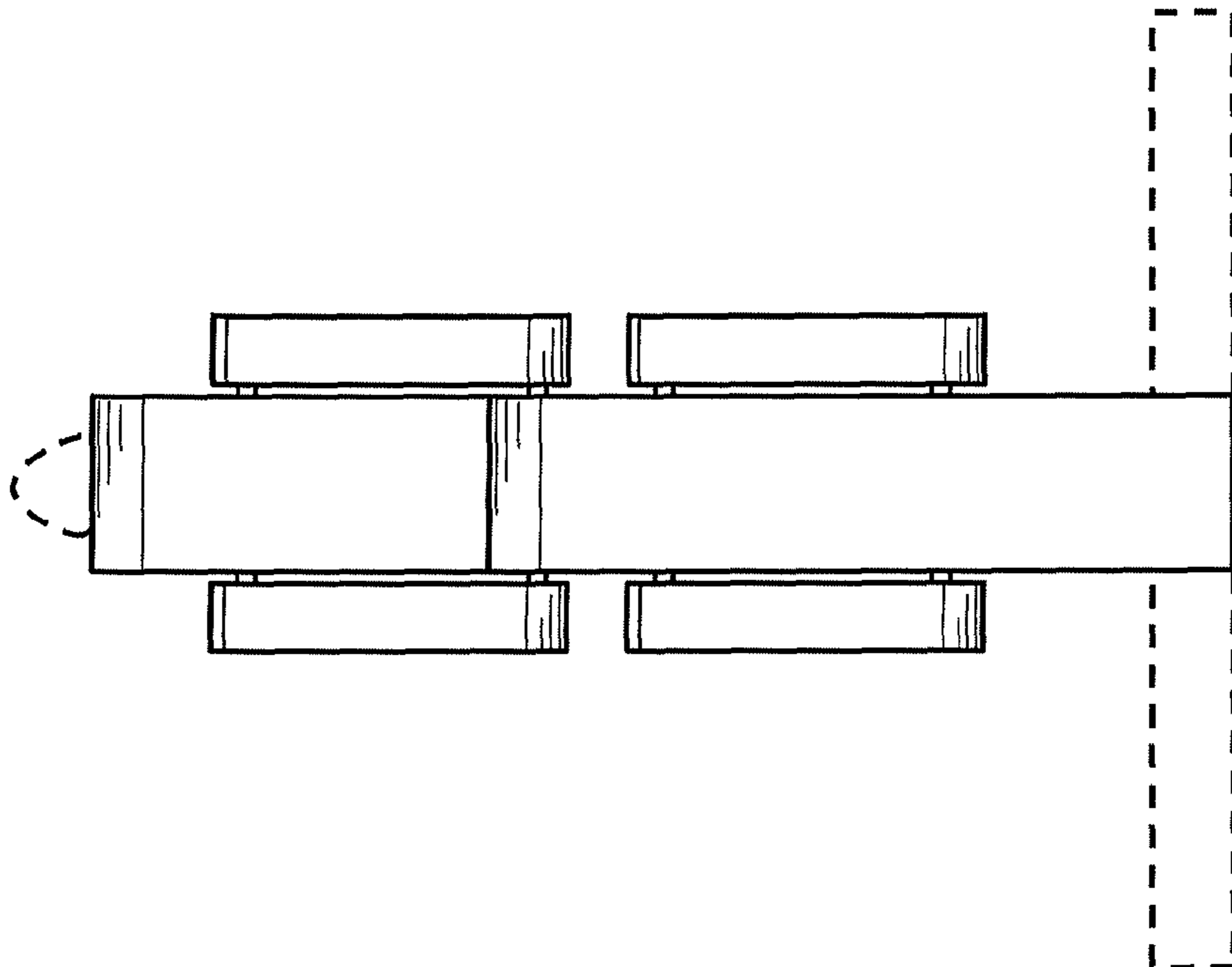


FIG. 3

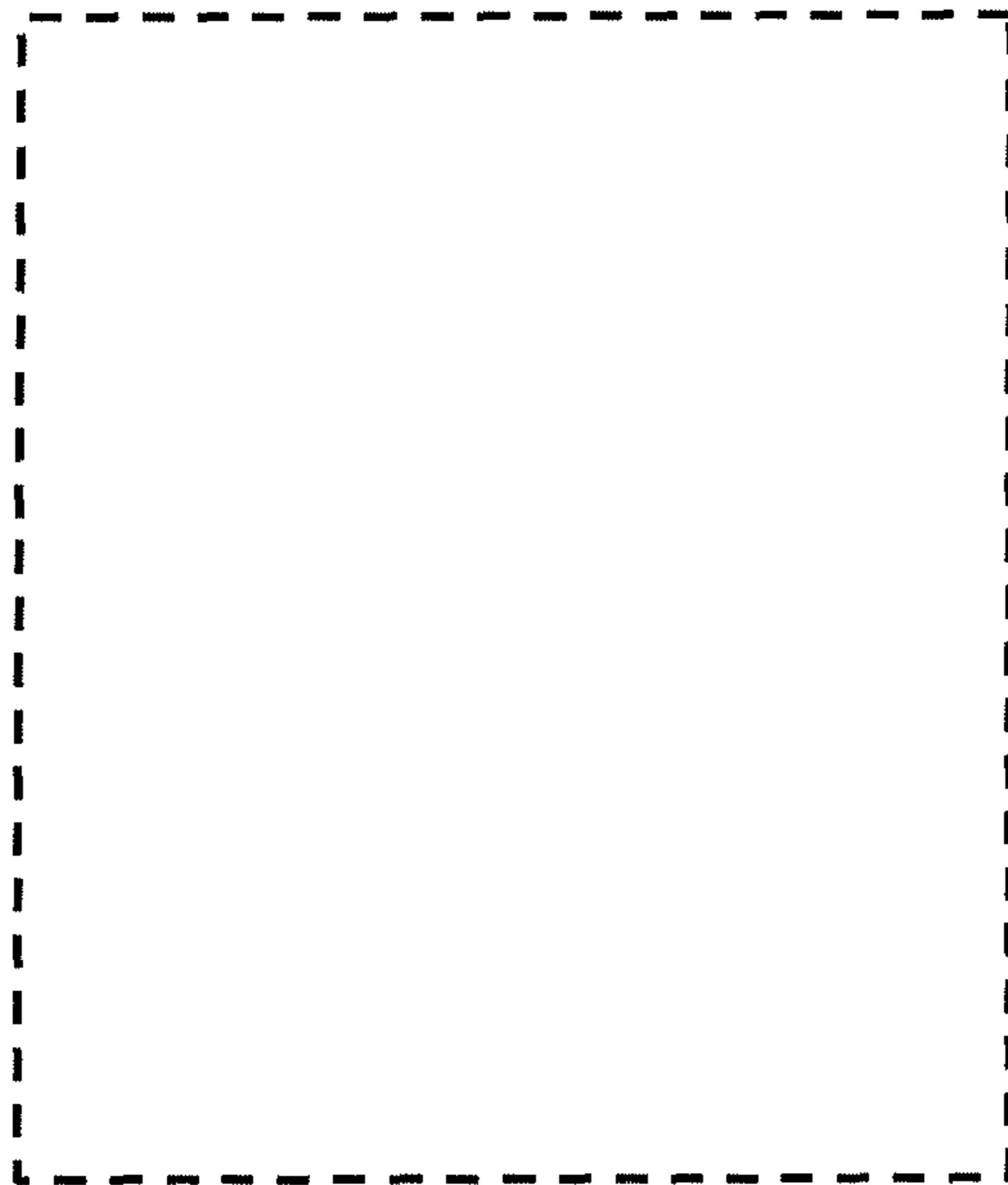


FIG 6

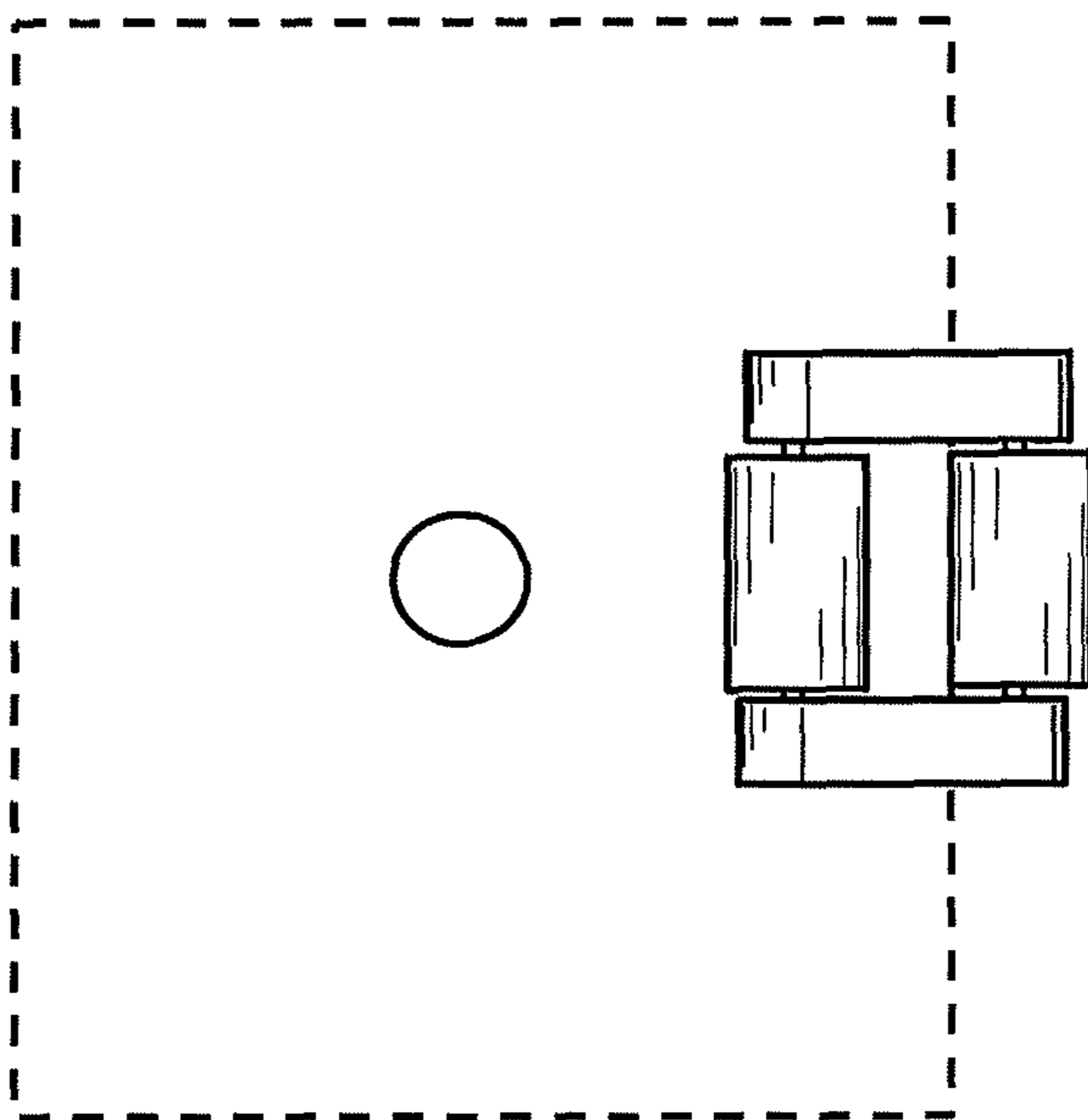


FIG 5