



US00D722780S

(12) **United States Design Patent**  
**Cohen**

(10) **Patent No.:** **US D722,780 S**

(45) **Date of Patent:** **\*\* Feb. 24, 2015**

(54) **DECORATIVE STOOL**

(71) Applicant: **Howard Cohen**, Indialantic, FL (US)

(72) Inventor: **Howard Cohen**, Indialantic, FL (US)

(\*\*) Term: **14 Years**

(21) Appl. No.: **29/460,015**

(22) Filed: **Jul. 6, 2013**

(51) **LOC (10) Cl.** ..... **06-01**

(52) **U.S. Cl.**  
USPC ..... **D6/349; D6/370**

(58) **Field of Classification Search**

CPC ..... A47C 3/18-3/20; A47C 5/02; A47C 9/00;  
A47C 11/00; A47C 13/00; A47C 9/06;  
A47C 7/16

USPC ..... D6/330, 337, 341, 346, 349-355, 357,  
D6/362, 364-373, 376, 377, 381, 645, 656,  
D6/658, 665, 674, 675.5, 676, 682.4,  
D6/685-692, 694, 694.2, 704, 705, 707,  
D6/707.8, 707.19, 708, 716.1-716.6, 717,  
D6/717.2; 297/423.12, 423.13, 423.37,  
297/461, 462, 115, 116, 135, 160-162

See application file for complete search history.

(56) **References Cited**

**U.S. PATENT DOCUMENTS**

D134,359 S *	11/1942	Warth, Sr. ....	D6/336
D159,947 S *	9/1950	Bell .....	D6/349
4,191,113 A *	3/1980	Hogberg .....	108/157.16
D303,877 S *	10/1989	Norton .....	D6/349
D438,024 S *	2/2001	Catalano et al. ....	D6/349
D555,919 S *	11/2007	Baade et al. ....	D6/349
D583,577 S *	12/2008	Wicha .....	D6/349
D586,572 S *	2/2009	Collette .....	D6/349
D614,877 S *	5/2010	Garzon .....	D6/349
D624,335 S *	9/2010	Lutz et al. ....	D6/480

**OTHER PUBLICATIONS**

24" Asia Teak & Stainless Shower Bench—From the Asia Collection 412. [online] Retrieved Mar. 9, 2014 from URL: <<http://www.aquateak.com/bath-and-shower-seating/24-teak-shower-benches/24-asia-teak-stainless-shower-bench-from-the-asia-collection-412/>>.\*

Serenity Teak Asian Design Shower Bench—29" Extended Length. [online] Retrieved Sep. 5, 2013 from URL: <<http://www.decoteak.com/teak/shower/bench/asia/29>>.\*

AquaTeak, 380 Asia Teak Shower Bench 24", Date Downloaded Jun. 24, 2013, [www.aquateak.com](http://www.aquateak.com).

AquaTeak, 380 Asia Teak Shower Bench 24", Dated Published Apr. 29, 2013, [www.aquateak.com](http://www.aquateak.com).

\* cited by examiner

*Primary Examiner* — Susan Bennett Hattan

*Assistant Examiner* — Vy Koenig

(74) *Attorney, Agent, or Firm* — Stephen C. Thomas

(57) **CLAIM**

The ornamental design for a decorative stool, as shown and described.

**DESCRIPTION**

FIG. 1 depicts a perspective view of the decorative stool of the invention.

FIG. 2 depicts a front view of the decorative stool of the invention.

FIG. 3 depicts a perspective left side view of the decorative stool of the invention.

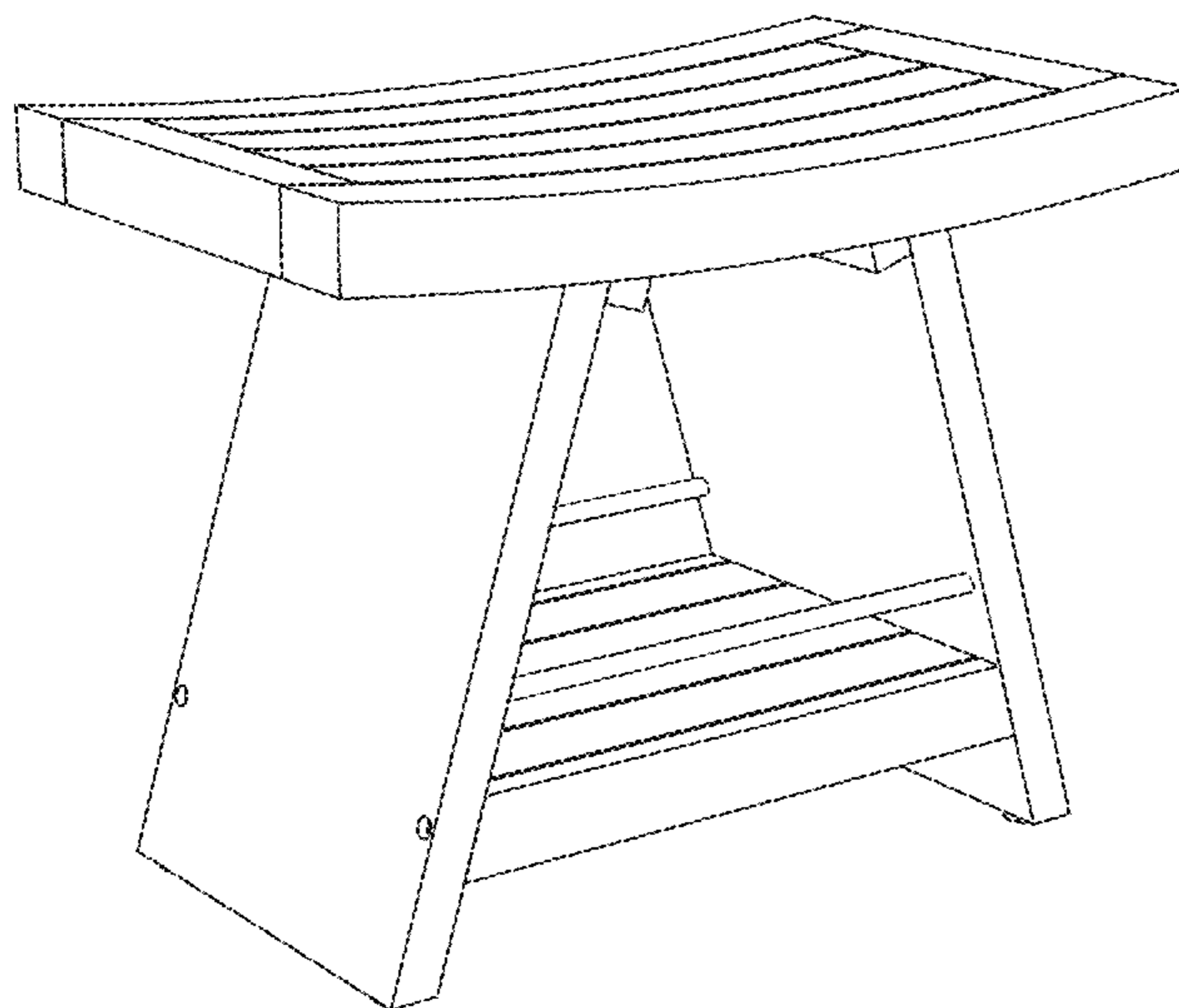
FIG. 4 depicts a perspective right side view of the decorative stool of the invention.

FIG. 5 depicts a top view of the decorative stool of the invention; and,

FIG. 6 depicts a bottom view of the decorative stool of the invention.

The broken lines depicted in the drawings depict environmental features that form no part of the claimed design.

**1 Claim, 6 Drawing Sheets**



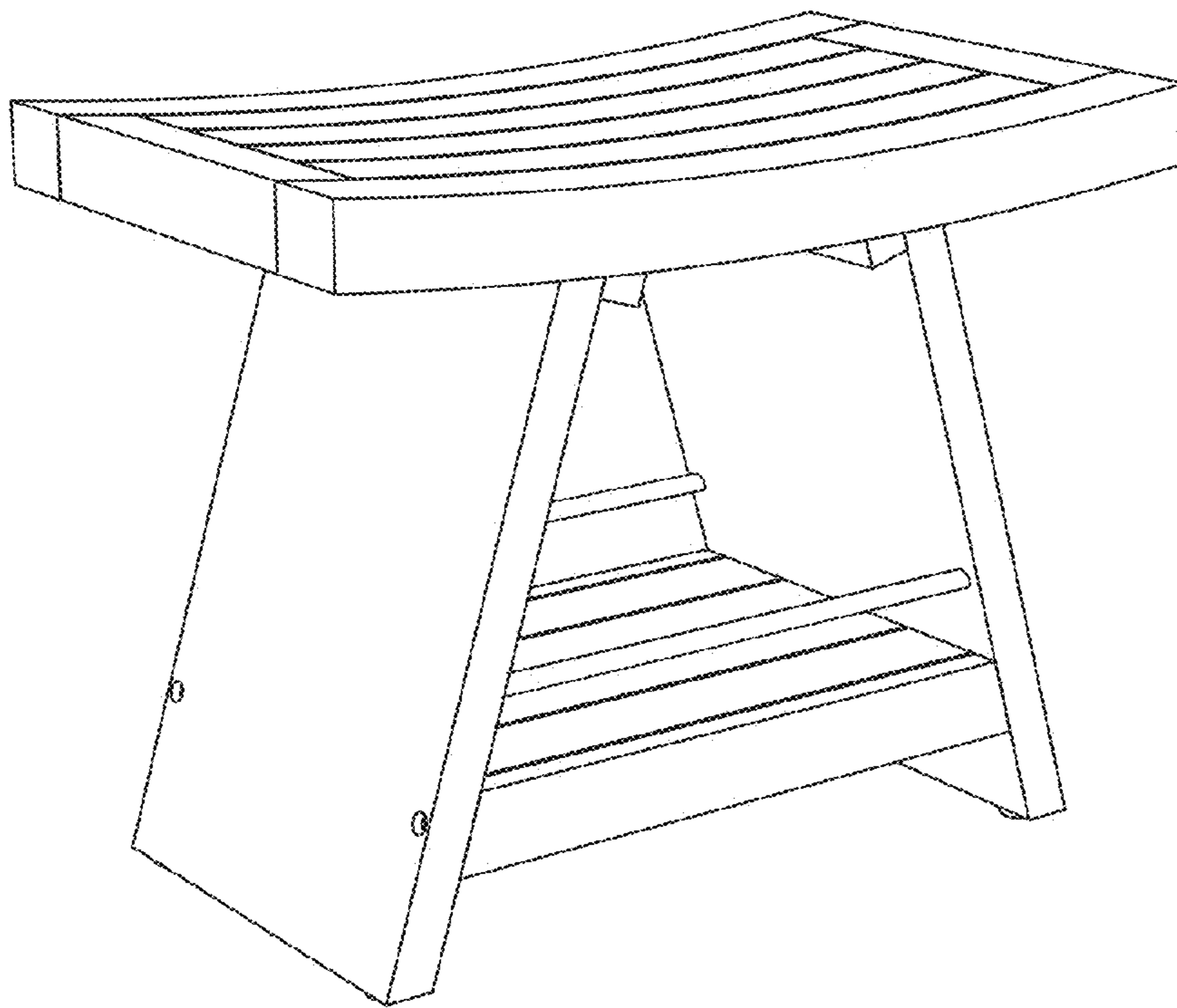


Fig. 1

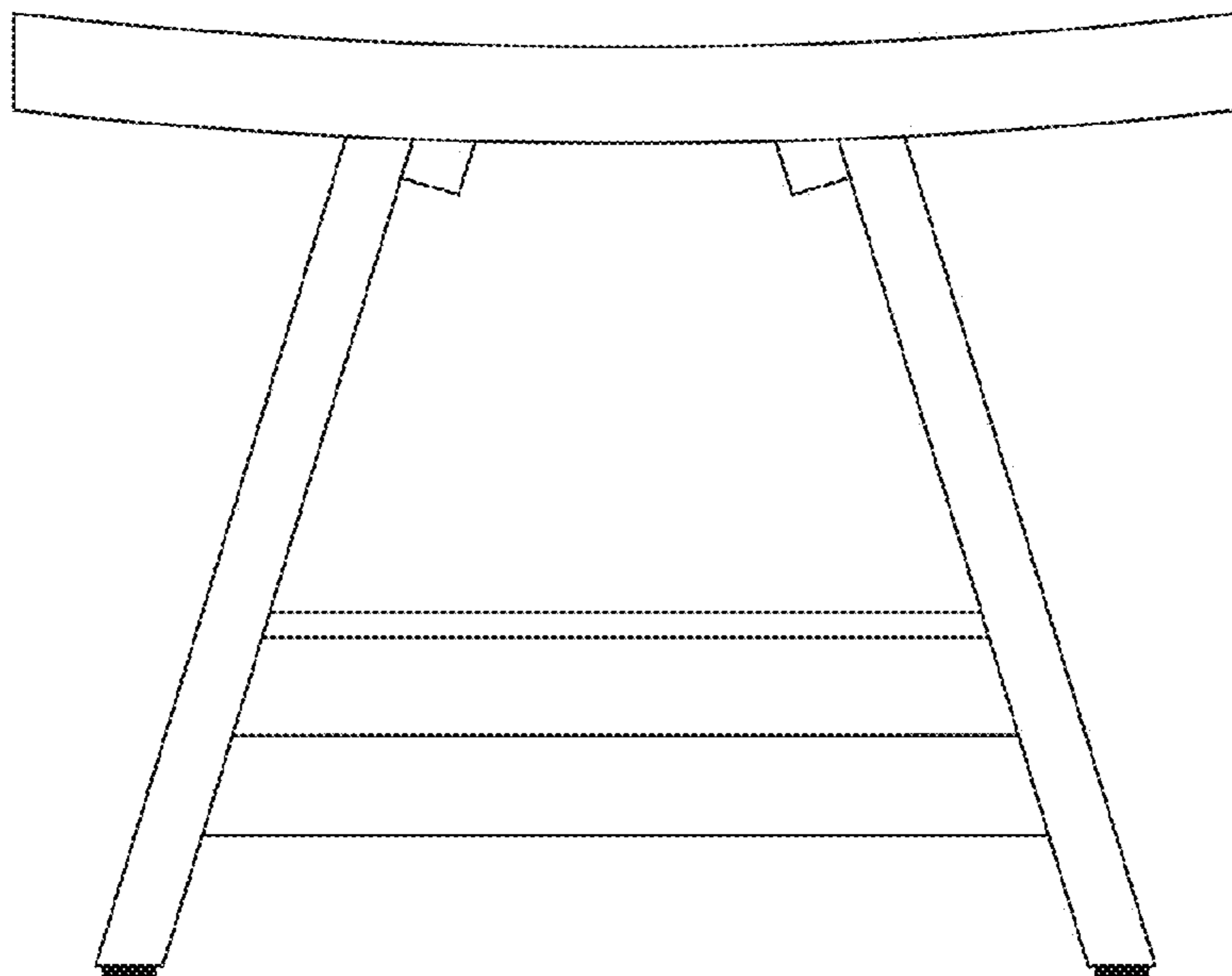


Fig. 2

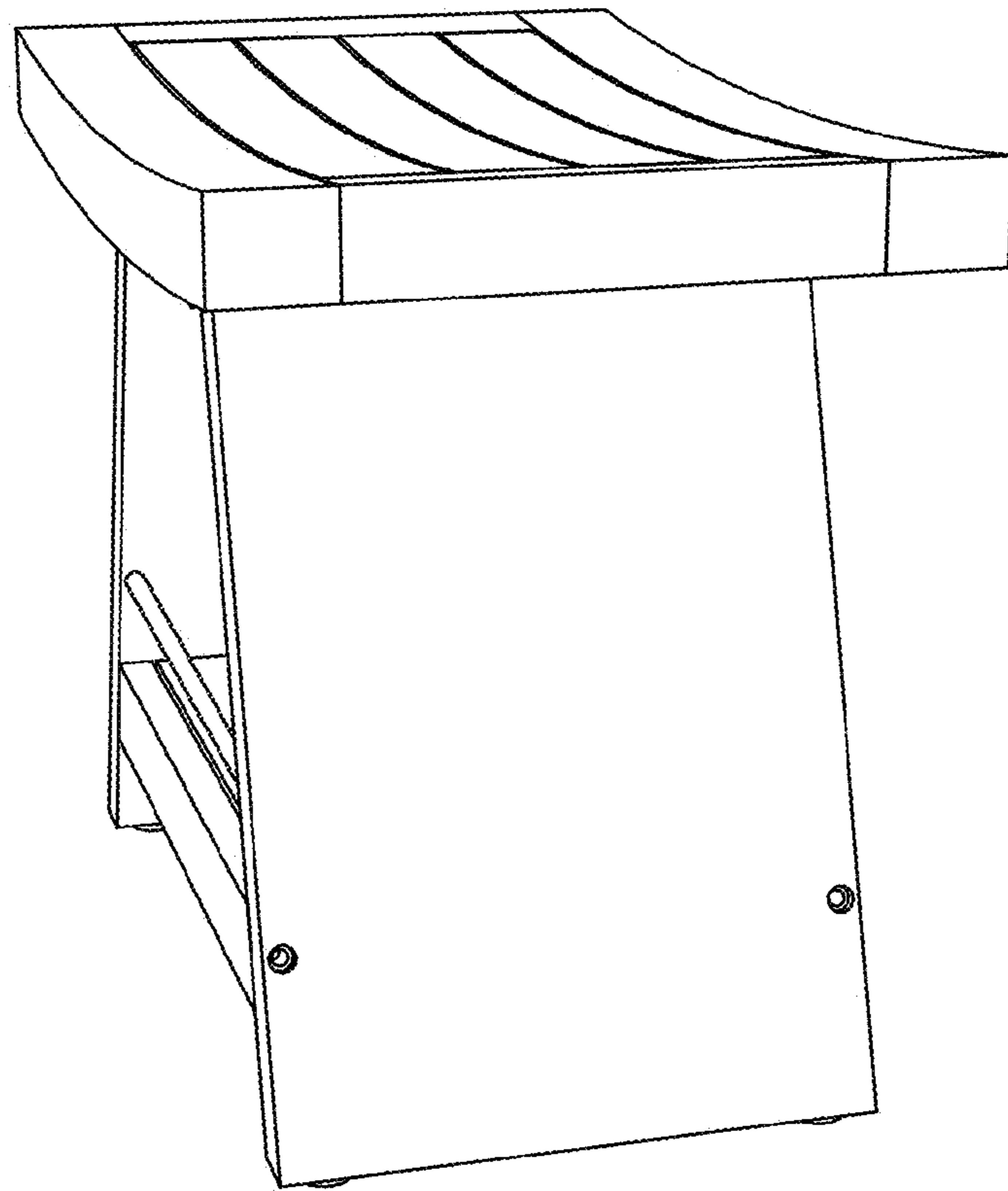


Fig. 3

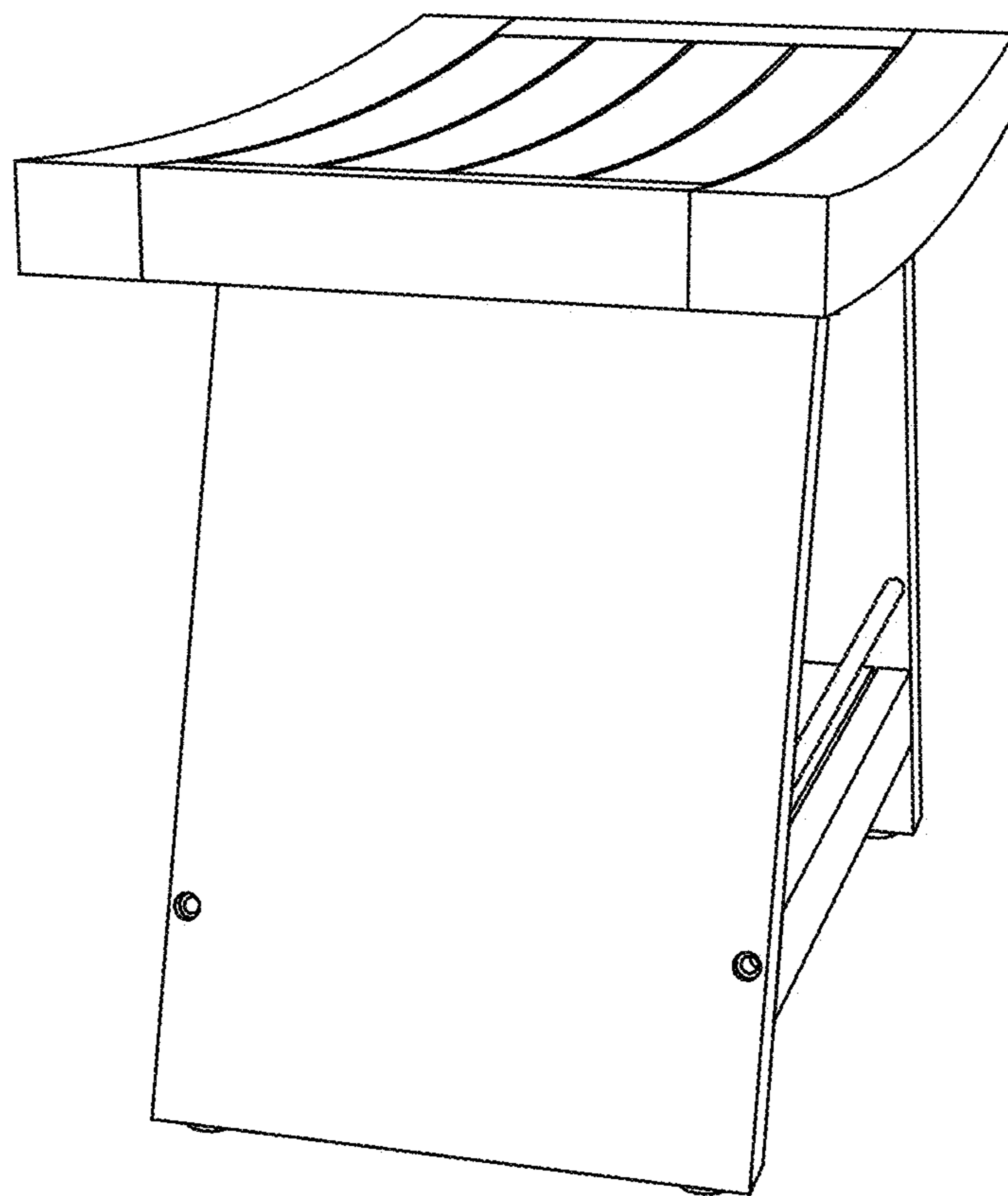
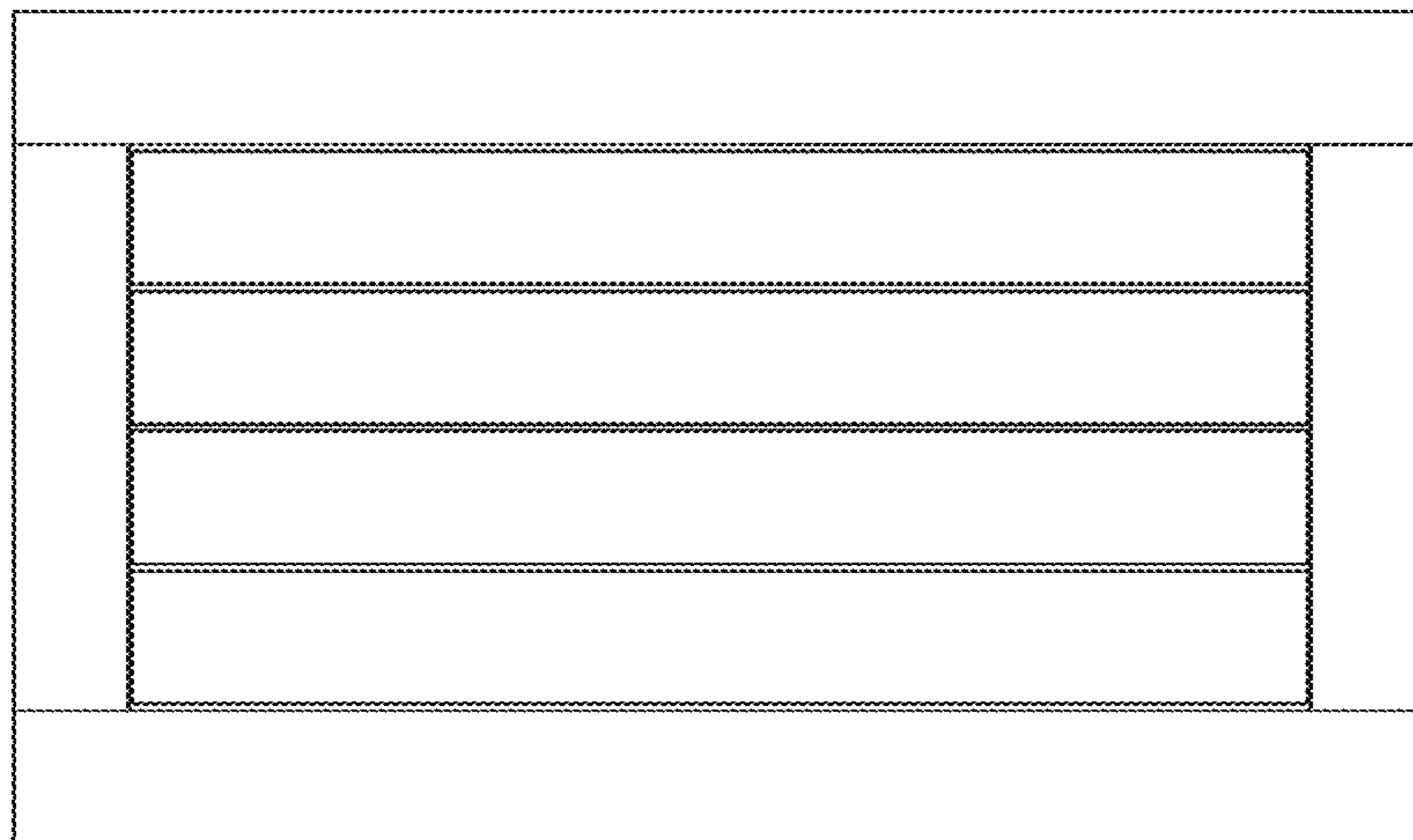


Fig 4

Fig. 5



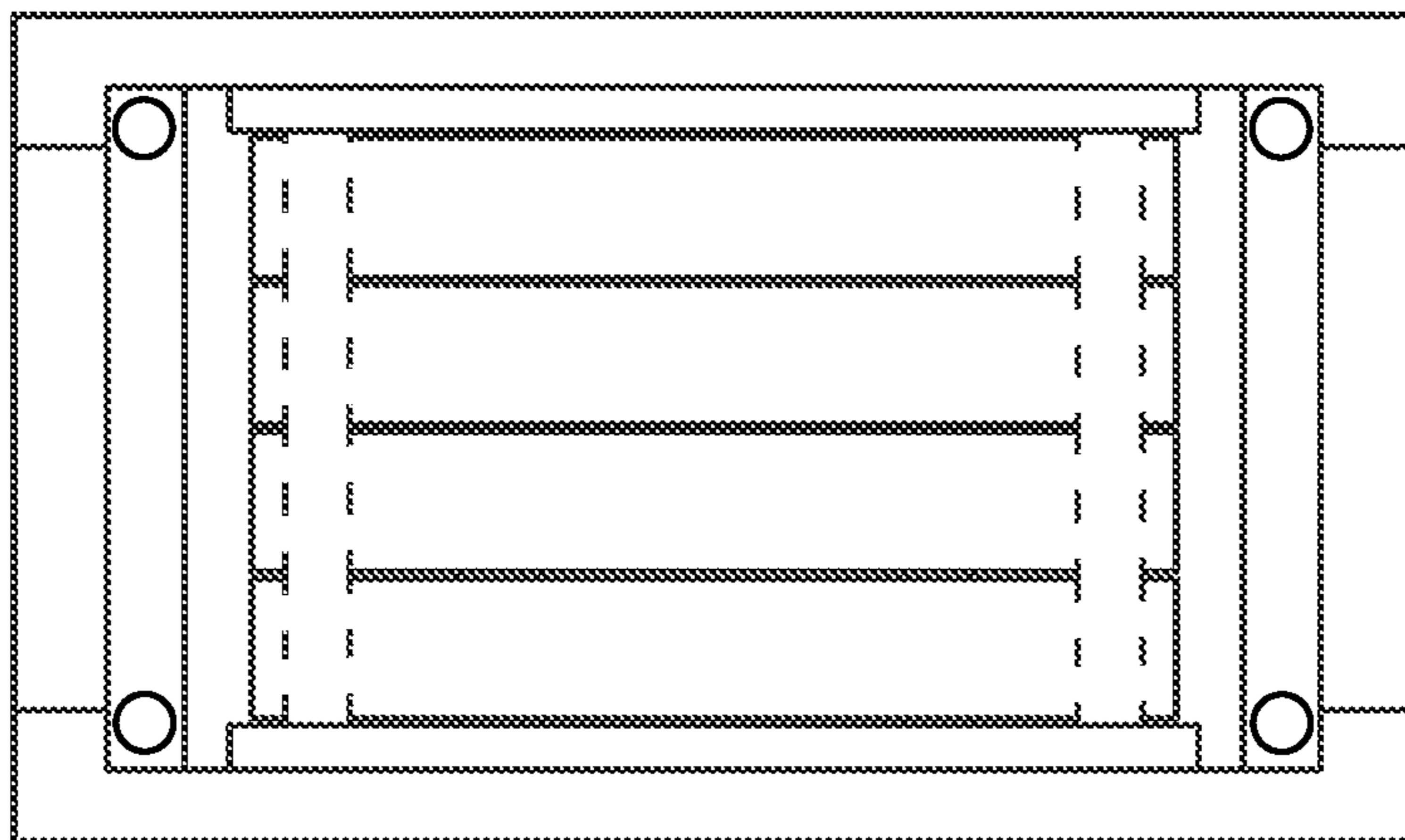


Fig. 6