



US00D722778S

(12) **United States Design Patent**
Miller

(10) **Patent No.:** **US D722,778 S**
(45) **Date of Patent:** **** Feb. 24, 2015**

(54) **PEDICURE CHAIR**

(71) Applicant: **Adam Miller**, Los Angeles, CA (US)

(72) Inventor: **Adam Miller**, Los Angeles, CA (US)

(**) Term: **14 Years**

(21) Appl. No.: **29/497,635**

(22) Filed: **Jul. 25, 2014**

(51) **LOC (10) Cl.** **06-01**

(52) **U.S. Cl.**
USPC **D6/338**; D24/204

(58) **Field of Classification Search**
USPC D6/334–338, 349, 355, 361, 368–370,
D6/376, 379–381, 716, 716.1, 716.2, 340,
D6/354, 708.18; 297/16.1, 42, 94, 135,
297/175, 232, 233, 350, 351, 445.1, 448.1,
297/448.2, 451.9; 5/12.1, 12.2; D24/204,
D24/212, 213

See application file for complete search history.

(56) **References Cited**

U.S. PATENT DOCUMENTS

D224,766 S *	9/1972	Rowland	D6/371
3,700,282 A *	10/1972	Rowland	297/440.23
D318,183 S *	7/1991	Fister, Jr.	D6/334
D318,576 S *	7/1991	Fister, Jr.	D6/334
D367,566 S *	3/1996	Walters et al.	D6/381
D417,558 S *	12/1999	Staubach et al.	D6/334
D430,740 S *	9/2000	Chun	D6/334
D458,466 S *	6/2002	McCairley	D6/365
D475,539 S *	6/2003	Savini	D6/334
D498,070 S *	11/2004	Sauer	D6/373

D600,356 S *	9/2009	Ton	D24/204
D600,817 S *	9/2009	Ton	D24/213
D602,163 S *	10/2009	Ton	D24/204
D606,325 S *	12/2009	Gharabegian	D6/334
D613,869 S *	4/2010	Ton	D24/204
D621,519 S *	8/2010	Ton	D24/204
D663,039 S *	7/2012	Petruccelli	D24/204
D702,844 S *	4/2014	Mai	D24/204

* cited by examiner

Primary Examiner — Sandra Snapp

(74) *Attorney, Agent, or Firm* — QuickPatents; Kevin Prince

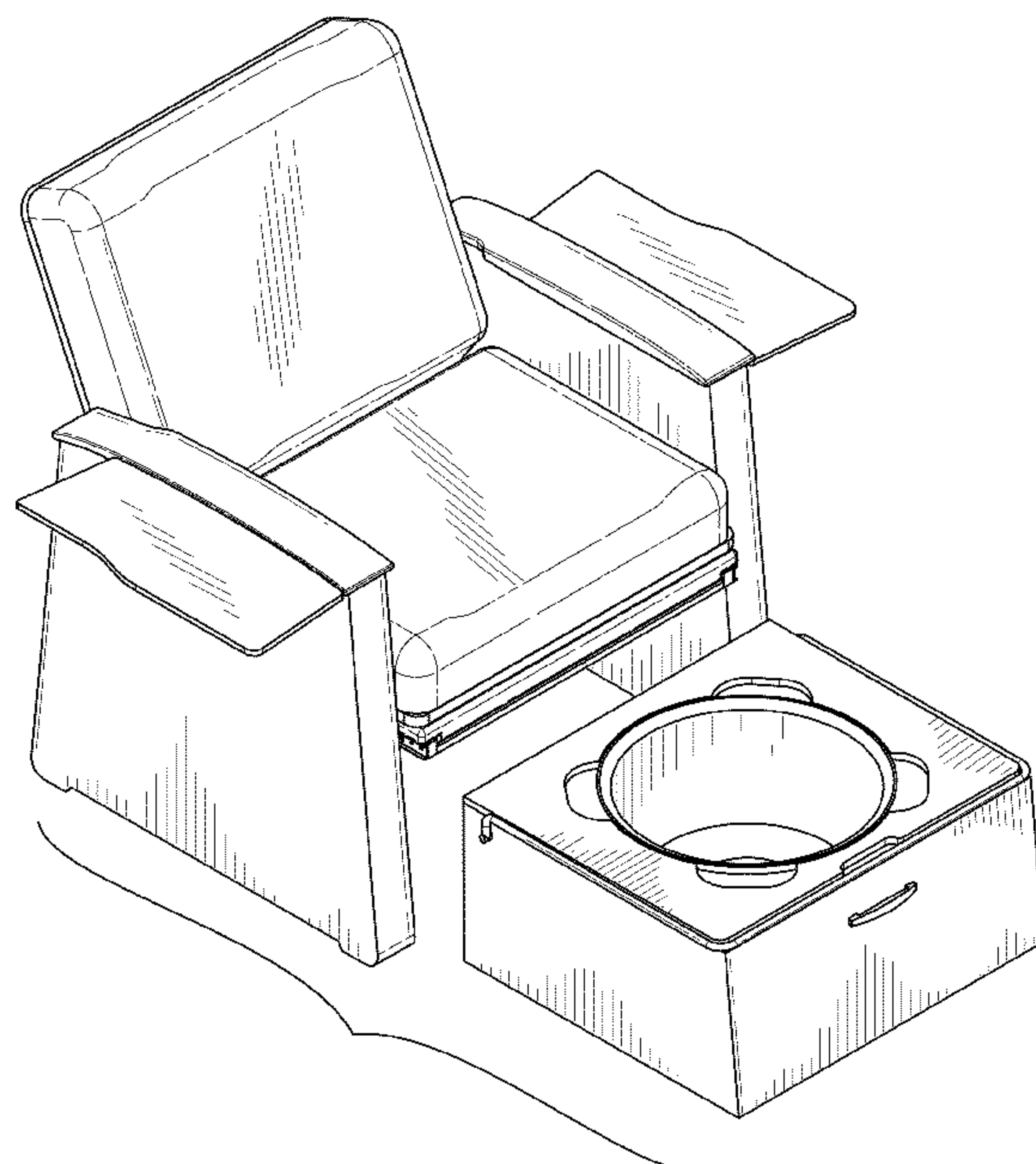
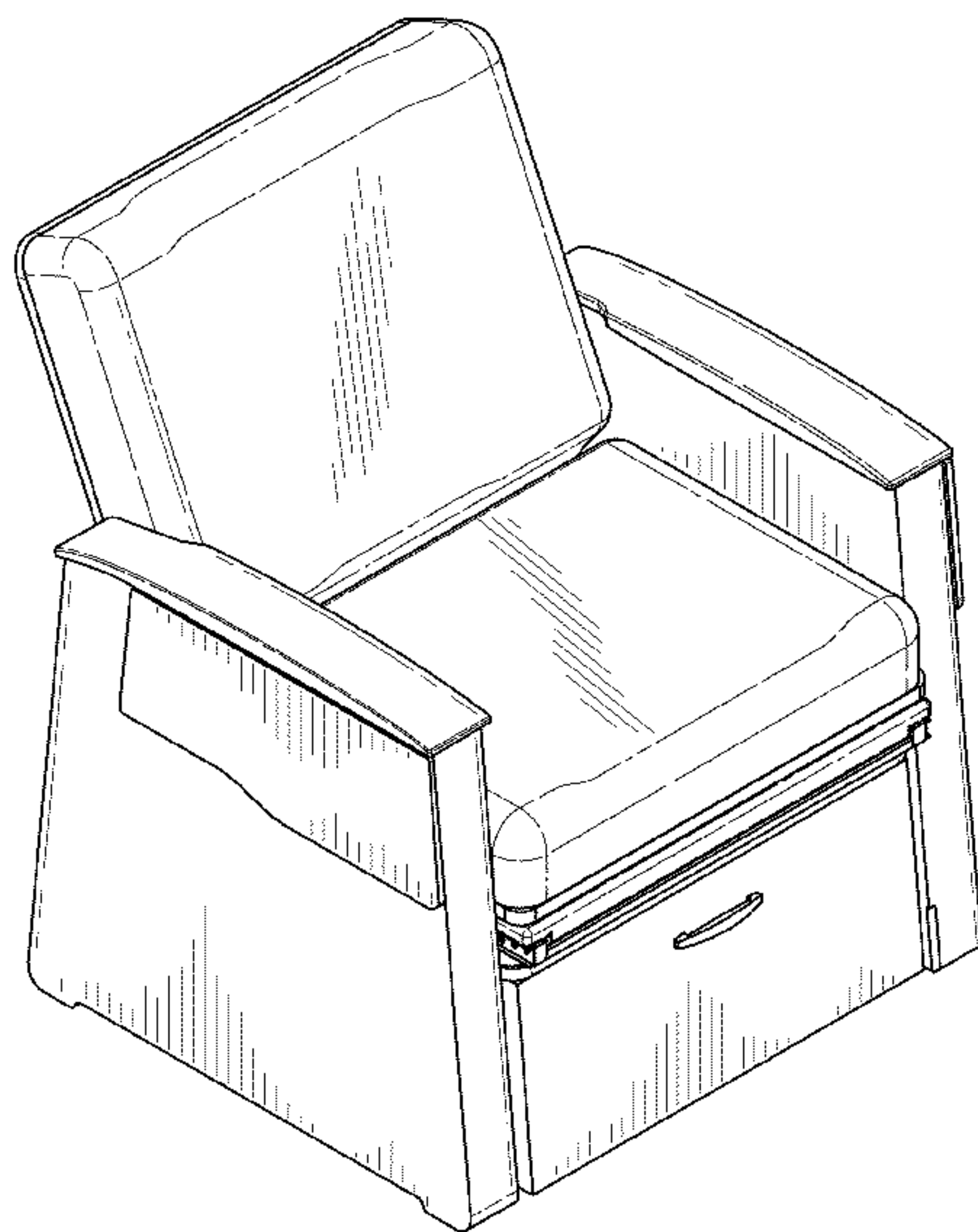
(57) **CLAIM**

I claim the ornamental design for a pedicure chair, as shown and described.

DESCRIPTION

FIG. 1 is a perspective view of a pedicure chair, showing my new design in a retracted configuration;
 FIG. 2 is a front elevational view of FIG. 1;
 FIG. 3 is a rear elevational view of FIG. 1;
 FIG. 4 is a right-side elevational view of FIG. 1;
 FIG. 5 is a left-side elevational view of FIG. 1;
 FIG. 6 is a top plan view of FIG. 1;
 FIG. 7 is a perspective view thereof, illustrated in an extended configuration;
 FIG. 8 is a front elevational view of FIG. 7;
 FIG. 9 is a rear elevational view of FIG. 7;
 FIG. 10 is a right-side elevational view of FIG. 7;
 FIG. 11 is a left-side elevational view of FIG. 7; and,
 FIG. 12 is a top plan view of FIG. 7.

1 Claim, 8 Drawing Sheets



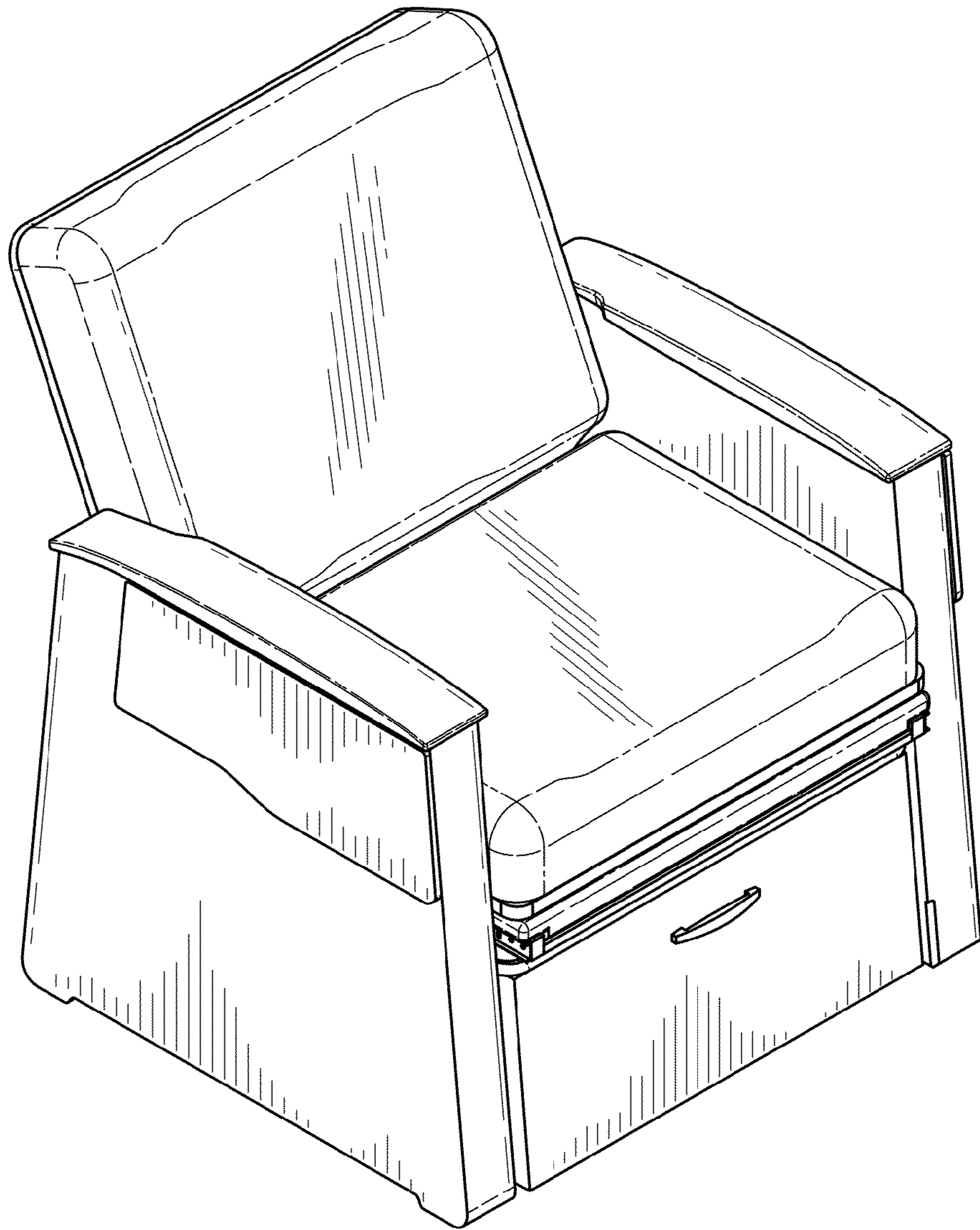


FIG. 1

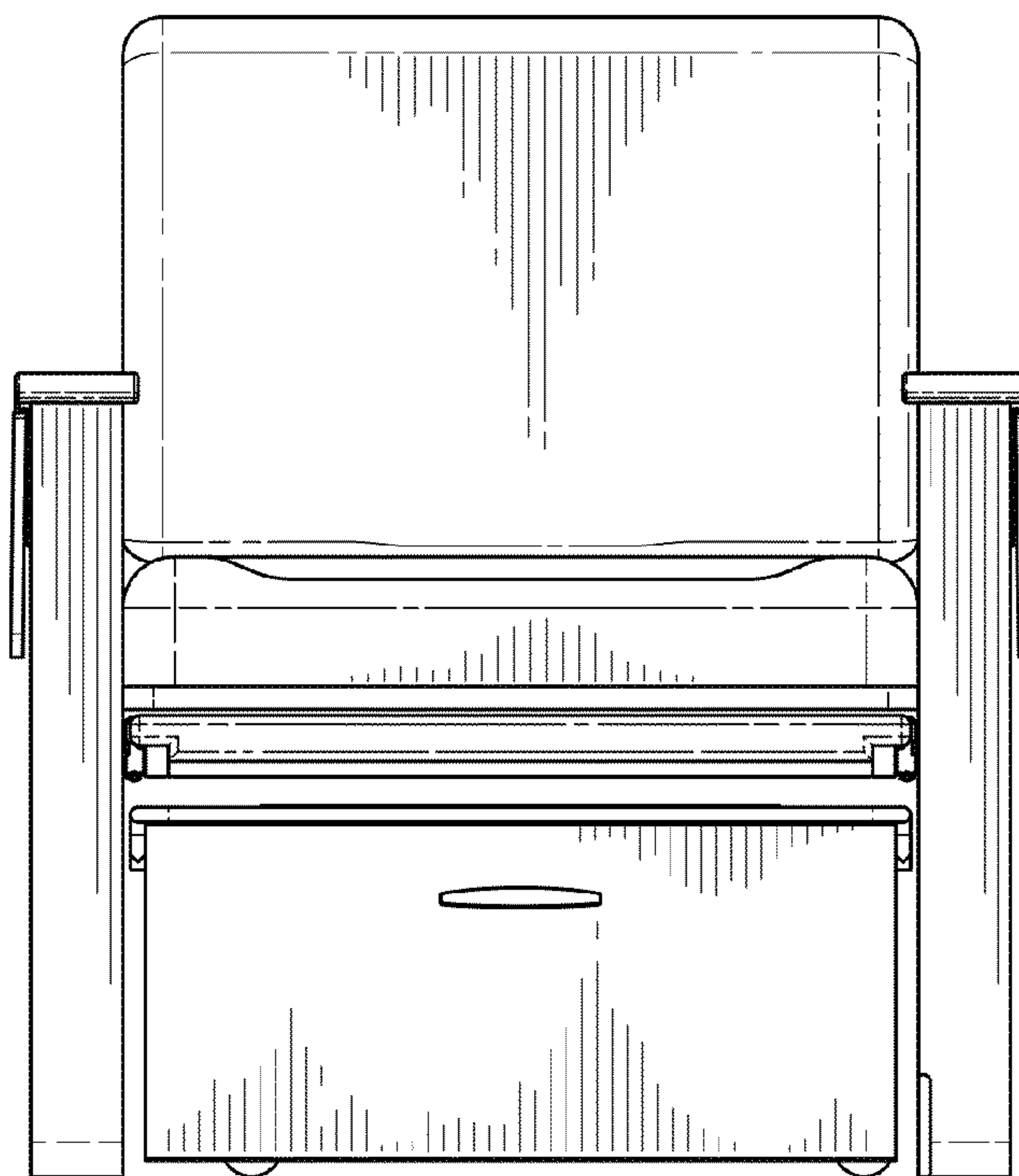


FIG. 2

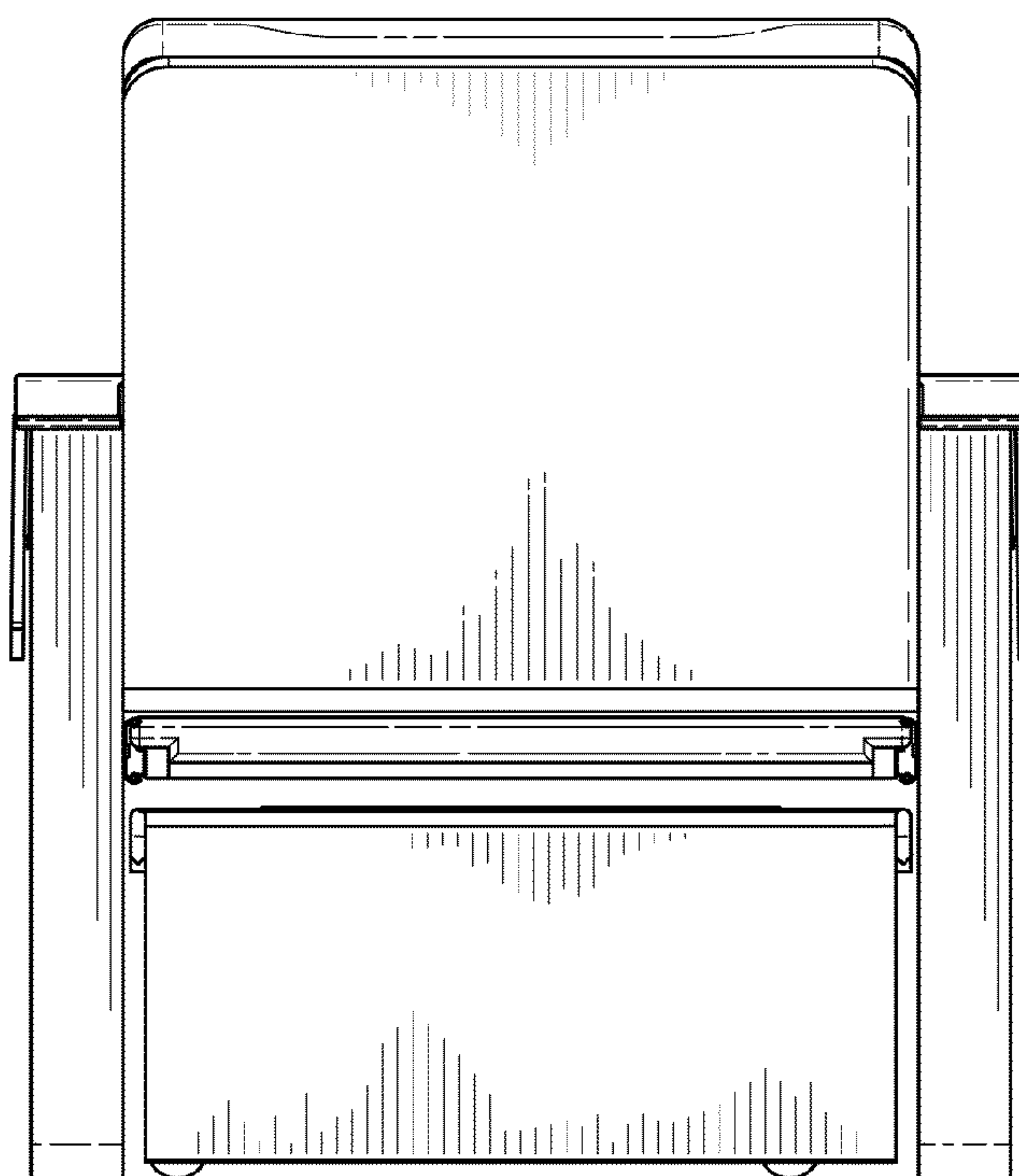


FIG. 3

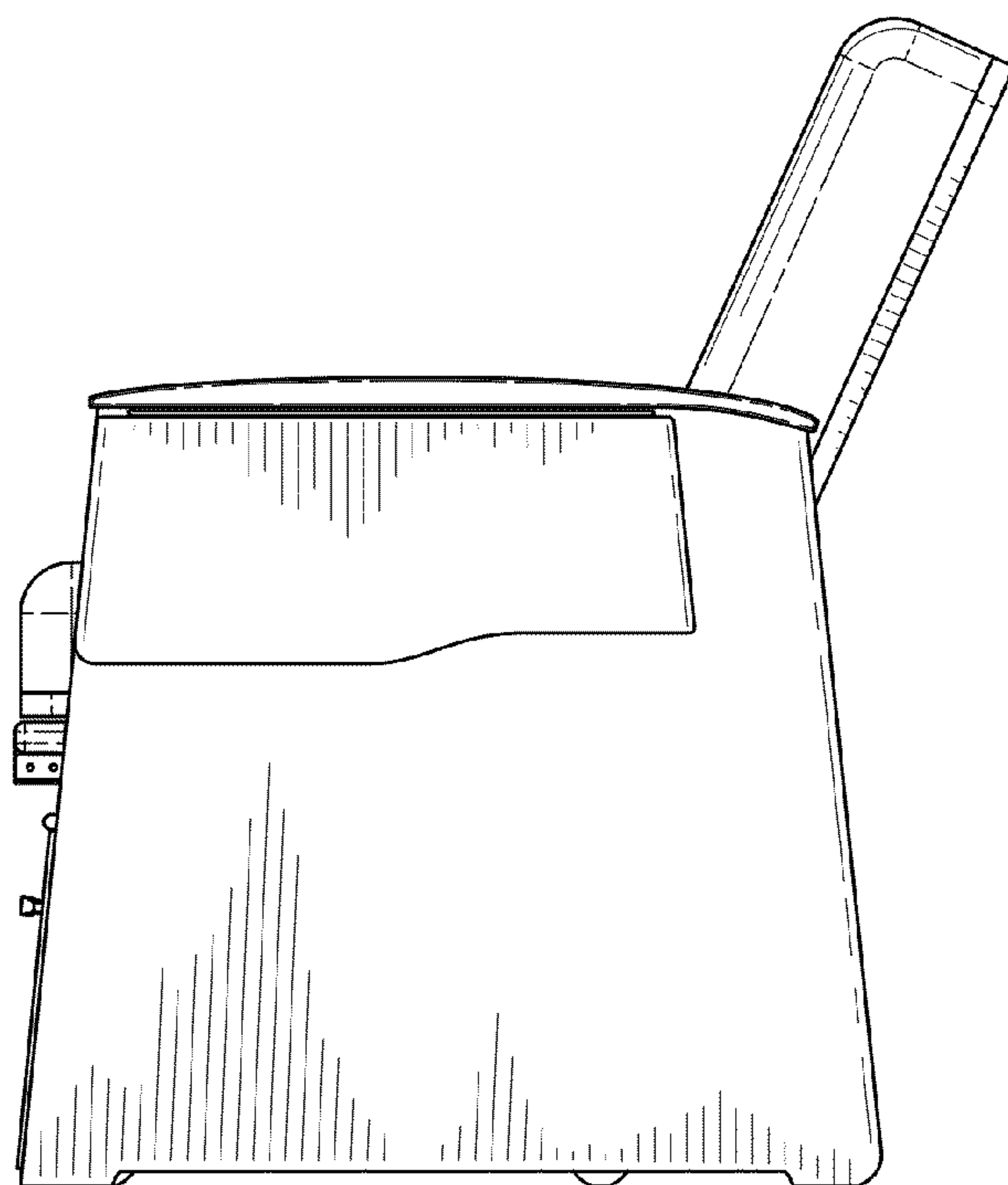


FIG. 4

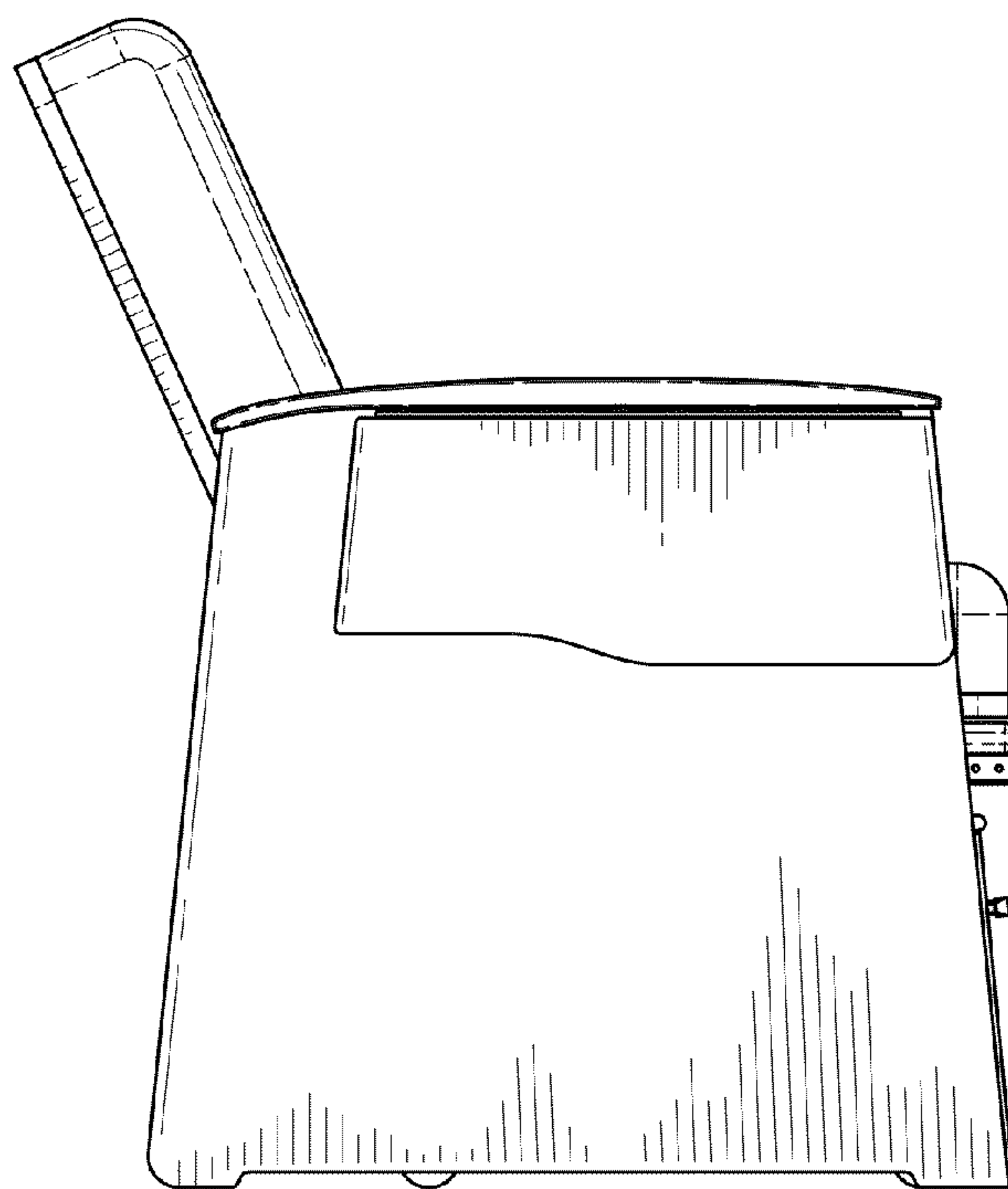


FIG. 5

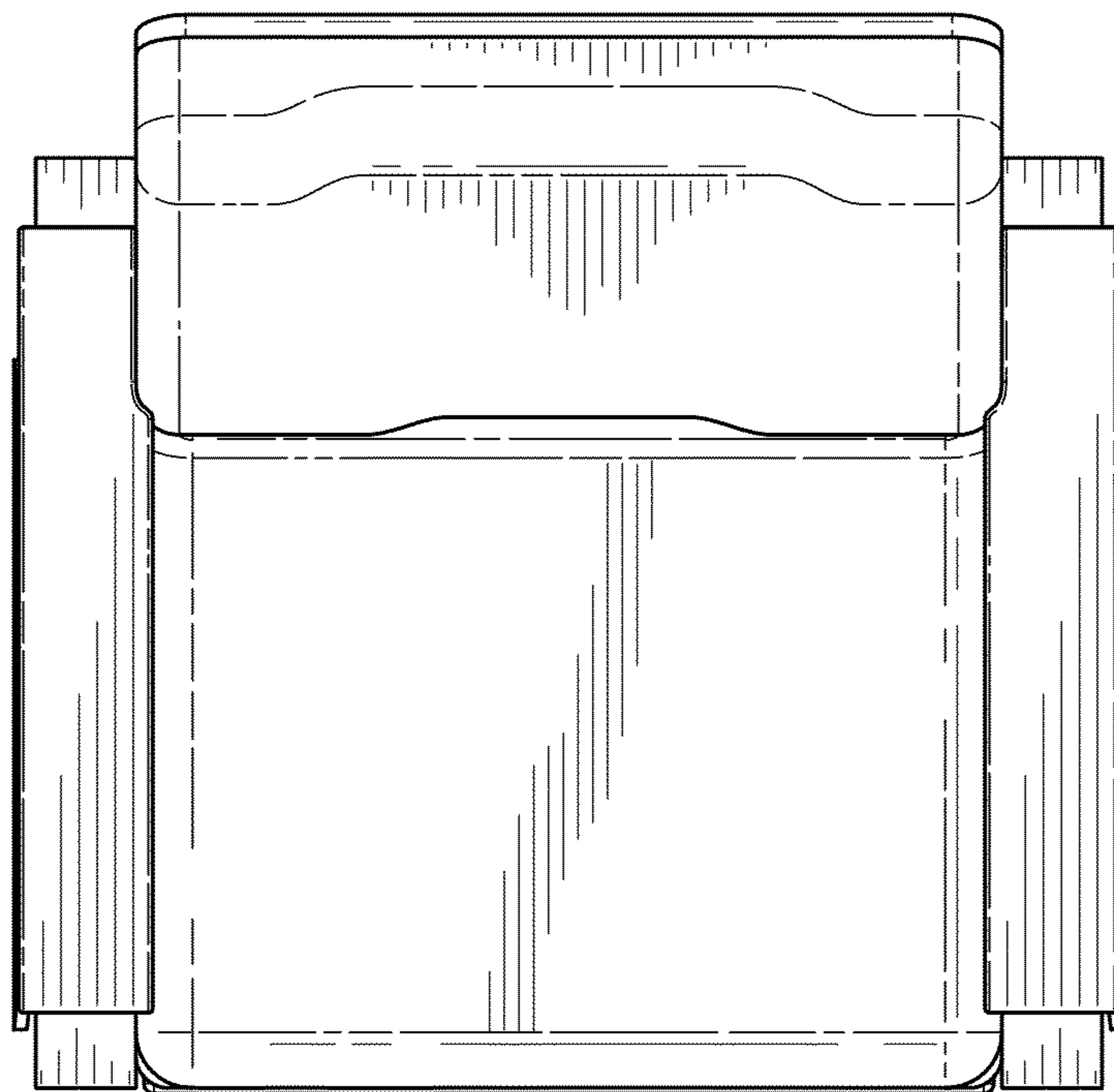


FIG. 6

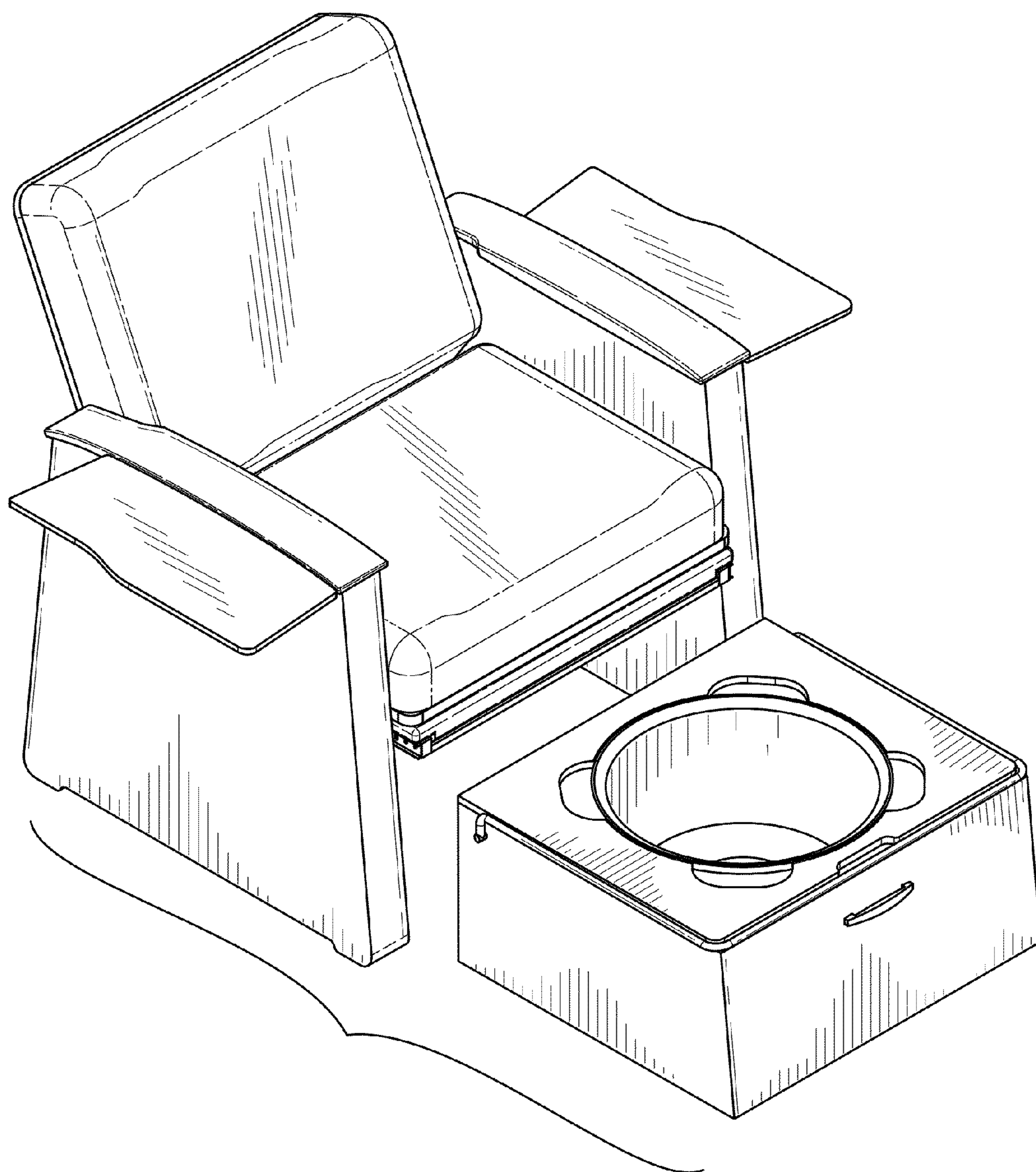


FIG. 7

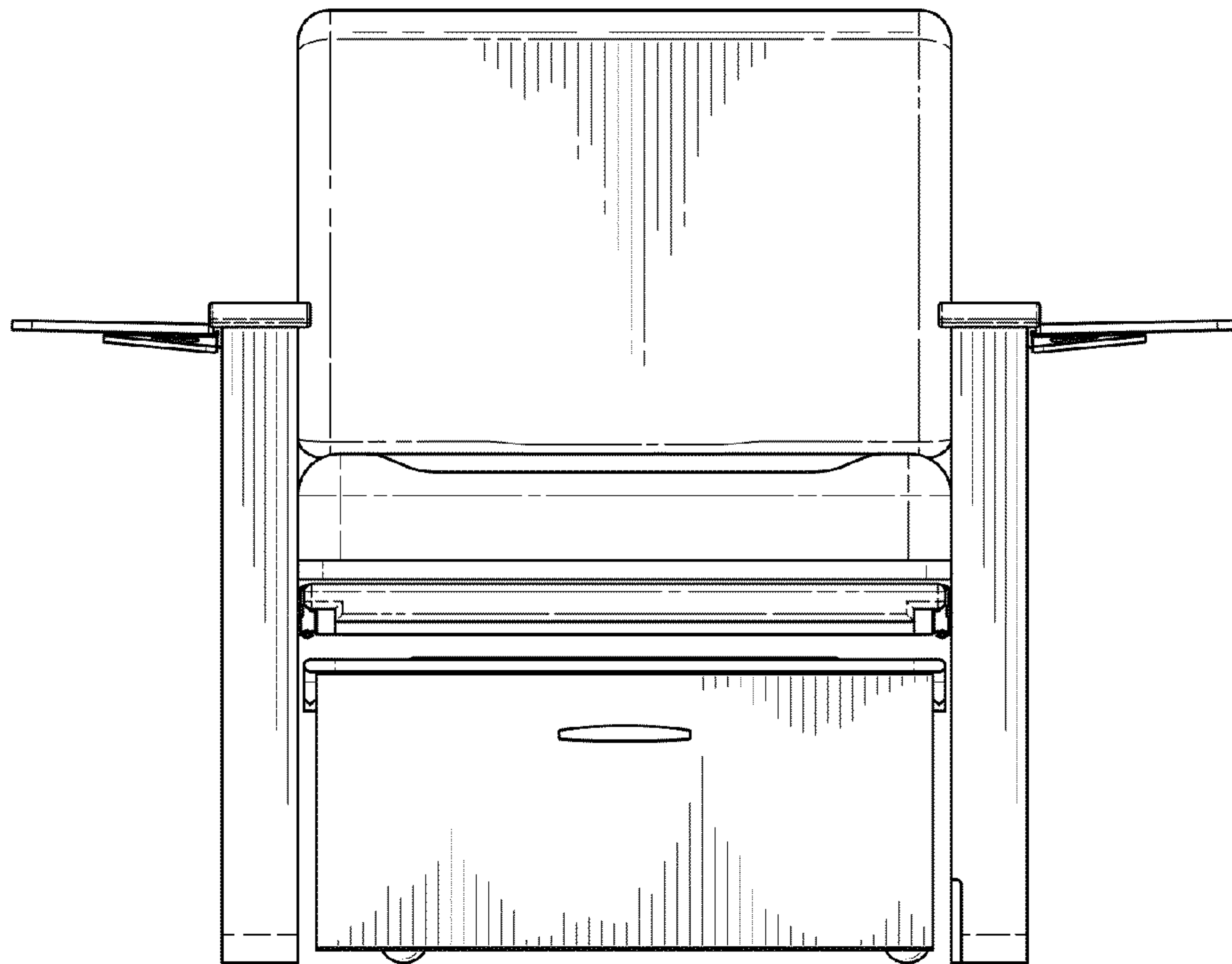


FIG. 8

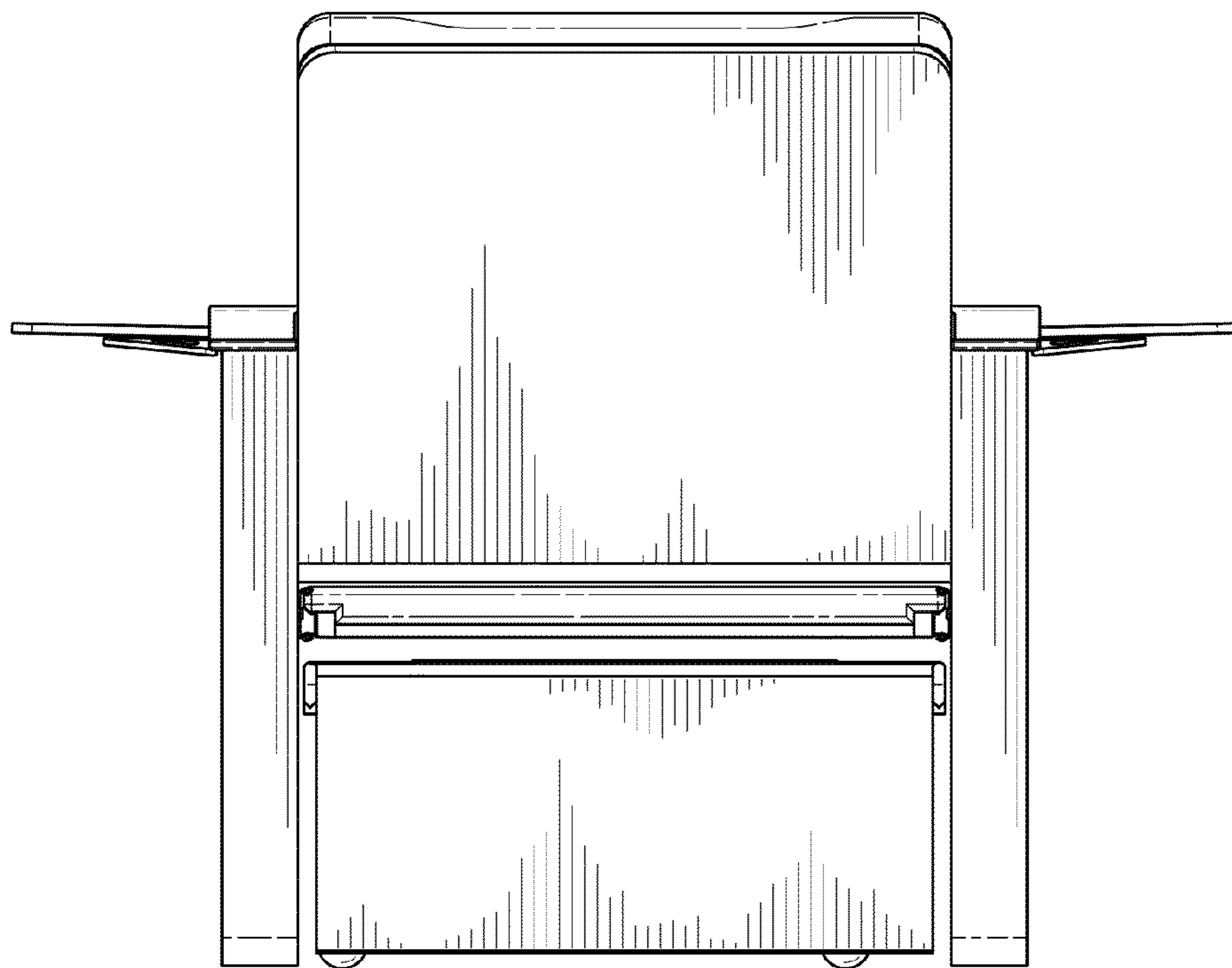


FIG. 9

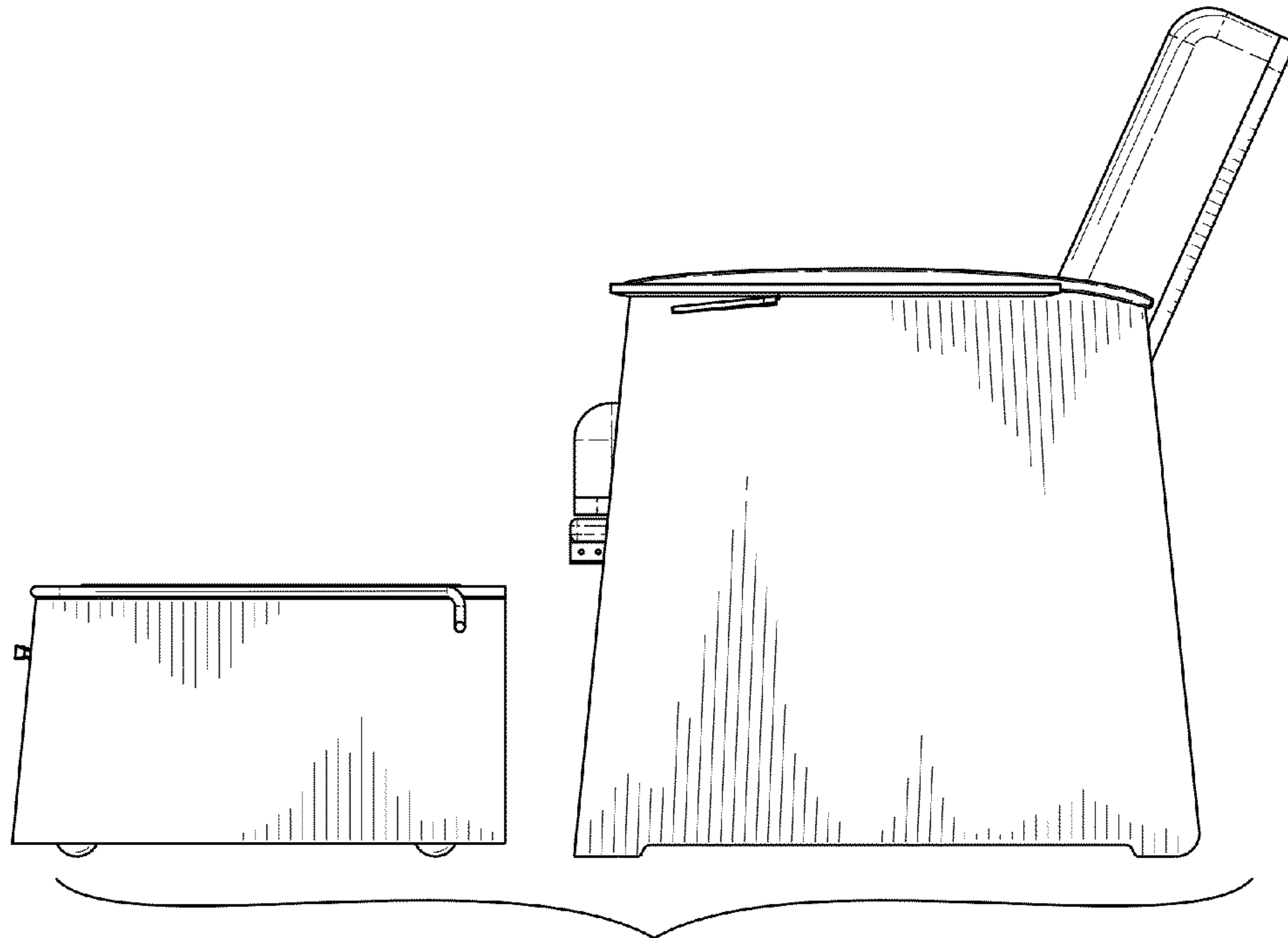


FIG. 10

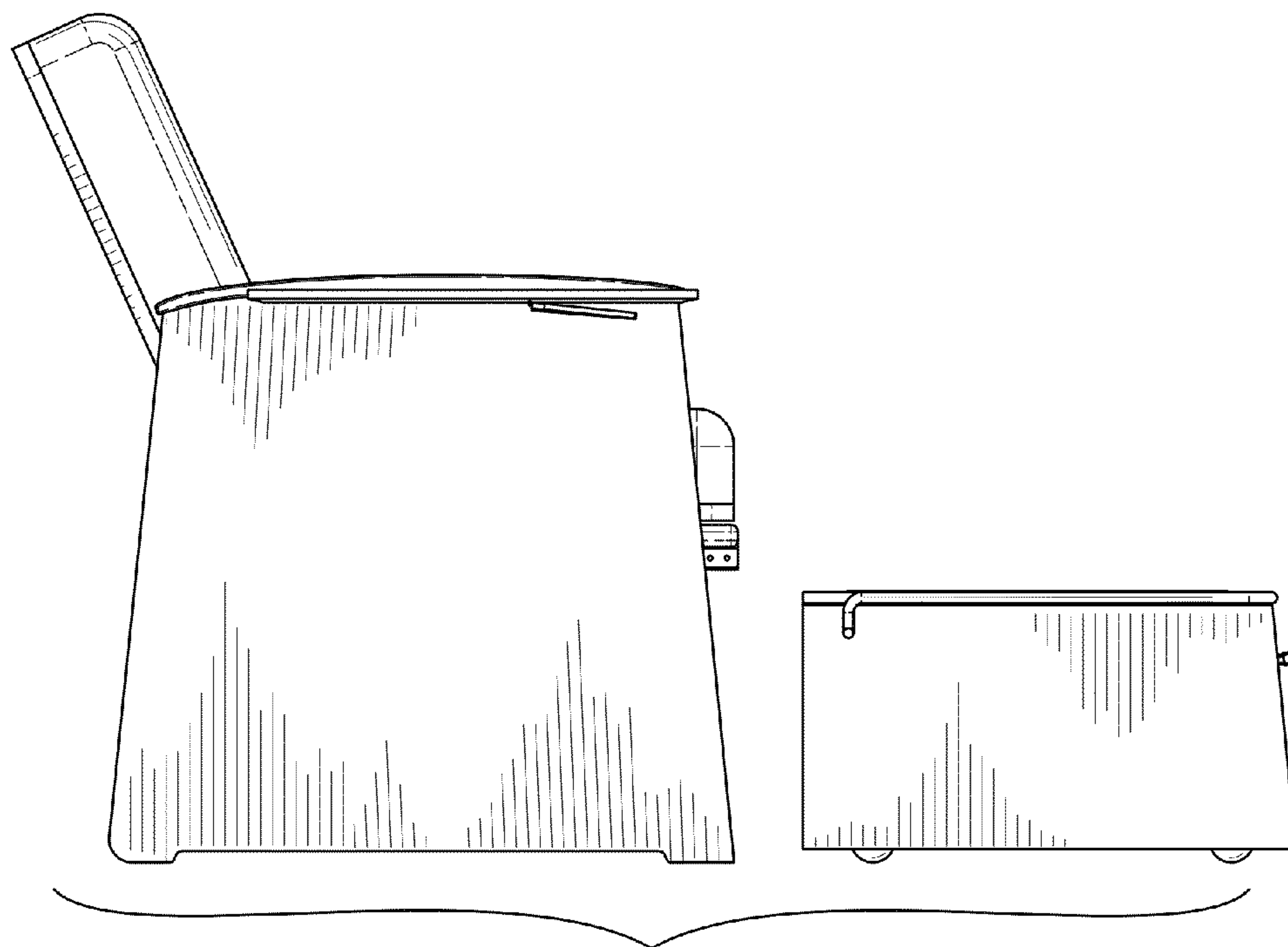


FIG. 11

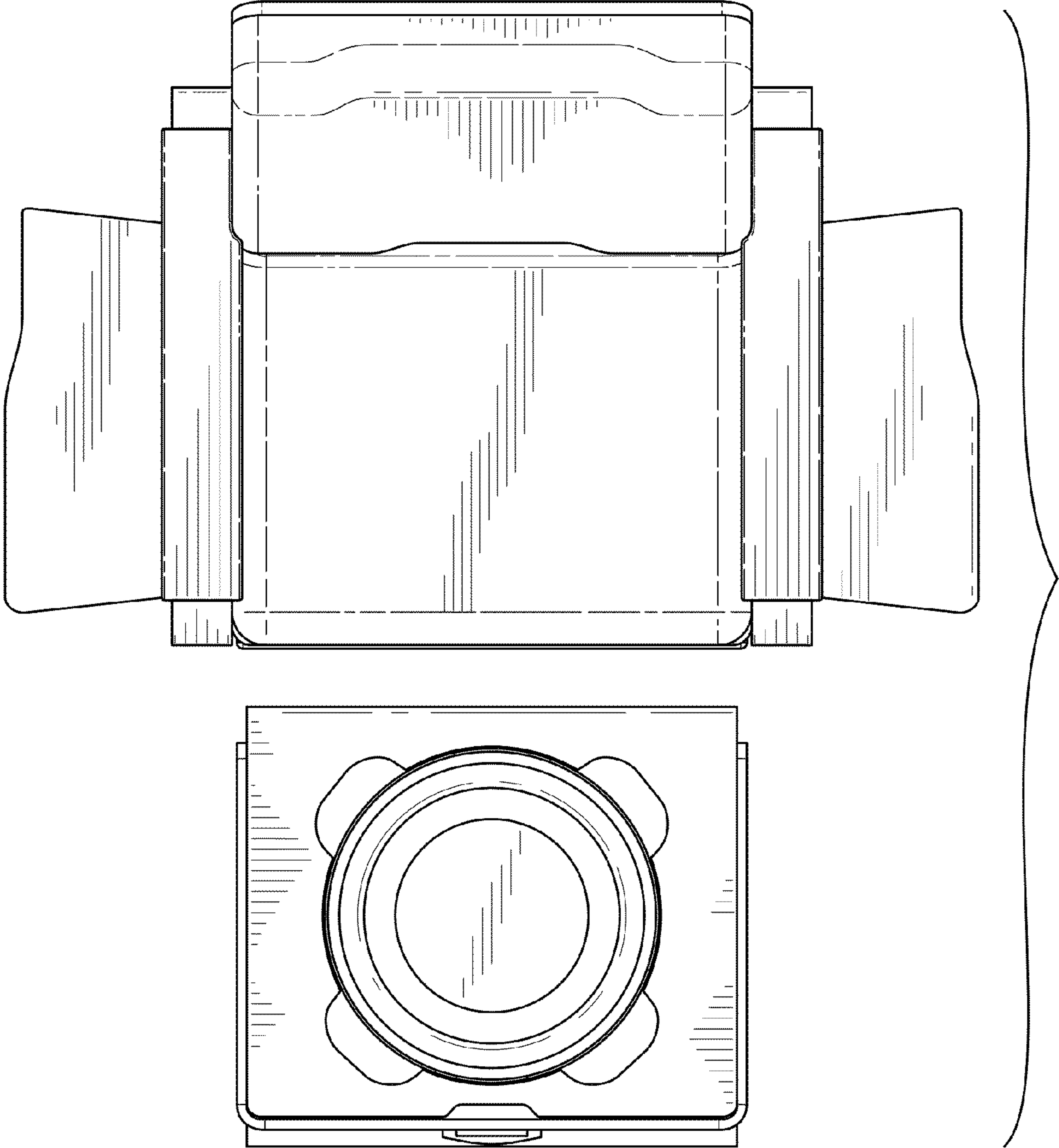


FIG. 12