



US00D722776S

(12) **United States Design Patent**  
**Roth et al.**

(10) **Patent No.:** **US D722,776 S**  
(45) **Date of Patent:** **\*\* Feb. 24, 2015**

(54) **FURNITURE**

(71) Applicant: **Richard Roth, LLC**, Phoenix, AZ (US)

(72) Inventors: **Phillip Roth**, Malibu Canyon, CA (US);  
**Richard L. Perlman**, Phoenix, AZ (US)

(73) Assignee: **Richard Roth, LLC**, Phoenix, AZ (US)

(\*\*) Term: **14 Years**

(21) Appl. No.: **29/491,359**

(22) Filed: **May 20, 2014**

(51) **LOC (10) Cl.** ..... **06-01**

(52) **U.S. Cl.**  
USPC ..... **D6/337**

(58) **Field of Classification Search**

CPC ..... A47C 17/00; A47C 17/02; A47C 17/12;  
A47C 17/18; A47C 7/021; A47C 31/00;  
A47C 3/16

USPC ..... D6/334, 335, 336, 379, 381, 369, 349,  
D6/707.2, 708, 337, 338; 297/94, 118,  
297/232, 445.1, 448.1, DIG. 7

See application file for complete search history.

(56) **References Cited**

**U.S. PATENT DOCUMENTS**

D143,454 S \* 1/1946 White ..... D6/484  
D387,571 S \* 12/1997 Schweter ..... D6/336

5,865,501 A \* 2/1999 Eisenberg et al. .... 297/158.5  
6,045,193 A \* 4/2000 Johnson ..... 297/423.41  
D627,981 S \* 11/2010 Shen ..... D6/338  
D650,179 S \* 12/2011 Rooth ..... D6/338

\* cited by examiner

*Primary Examiner* — Sandra Snapp

(74) *Attorney, Agent, or Firm* — Martin & Ferraro, LLP

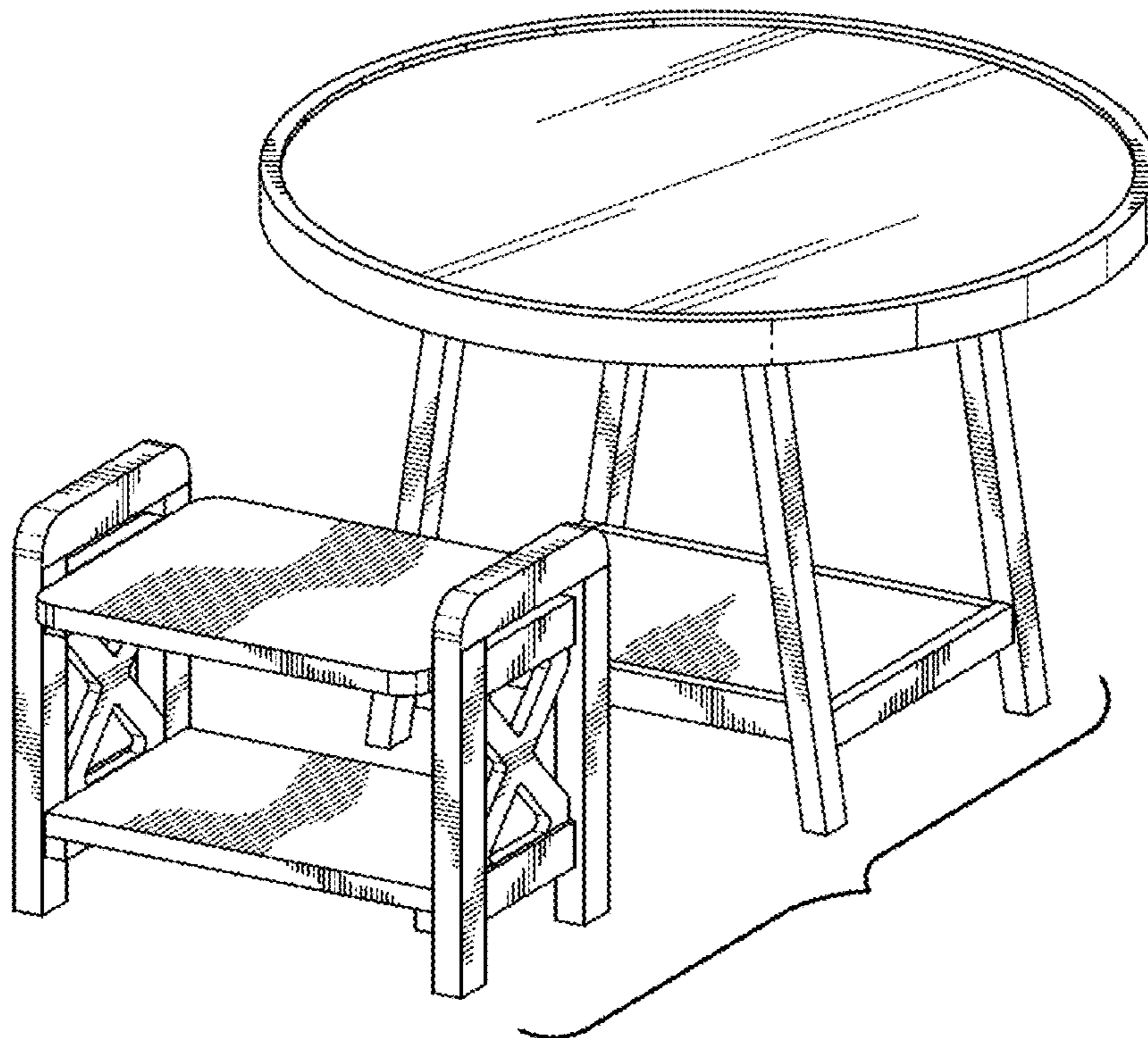
(57) **CLAIM**

The ornamental design for furniture, as shown and described.

**DESCRIPTION**

FIG. 1 is a front perspective view of furniture comprised of a table and a chair;  
FIG. 2 is a front perspective view of the table of the furniture, the table removed for ease of illustration;  
FIG. 3 is a front elevational view of the table of FIG. 2;  
FIG. 4 is a rear elevational view of the table of FIG. 2;  
FIG. 5 is a right side elevational view of the table of FIG. 2;  
FIG. 6 is a left side elevational view of the table of FIG. 2;  
FIG. 7 is a top plan view of the table of FIG. 2;  
FIG. 8 is a bottom plan view of the table of FIG. 2;  
FIG. 9 is a front perspective view of the chair of the furniture, the chair removed for ease of illustration;  
FIG. 10 is a front elevational view of the chair of FIG. 10;  
FIG. 11 is a rear elevational view of the chair of FIG. 10;  
FIG. 12 is a right side elevational view of the chair of FIG. 10;  
FIG. 13 is a left side elevational view of the chair of FIG. 10;  
FIG. 14 is a top plan view of the chair of FIG. 10; and,  
FIG. 15 is a bottom plan view of the chair of FIG. 10.

**1 Claim, 9 Drawing Sheets**



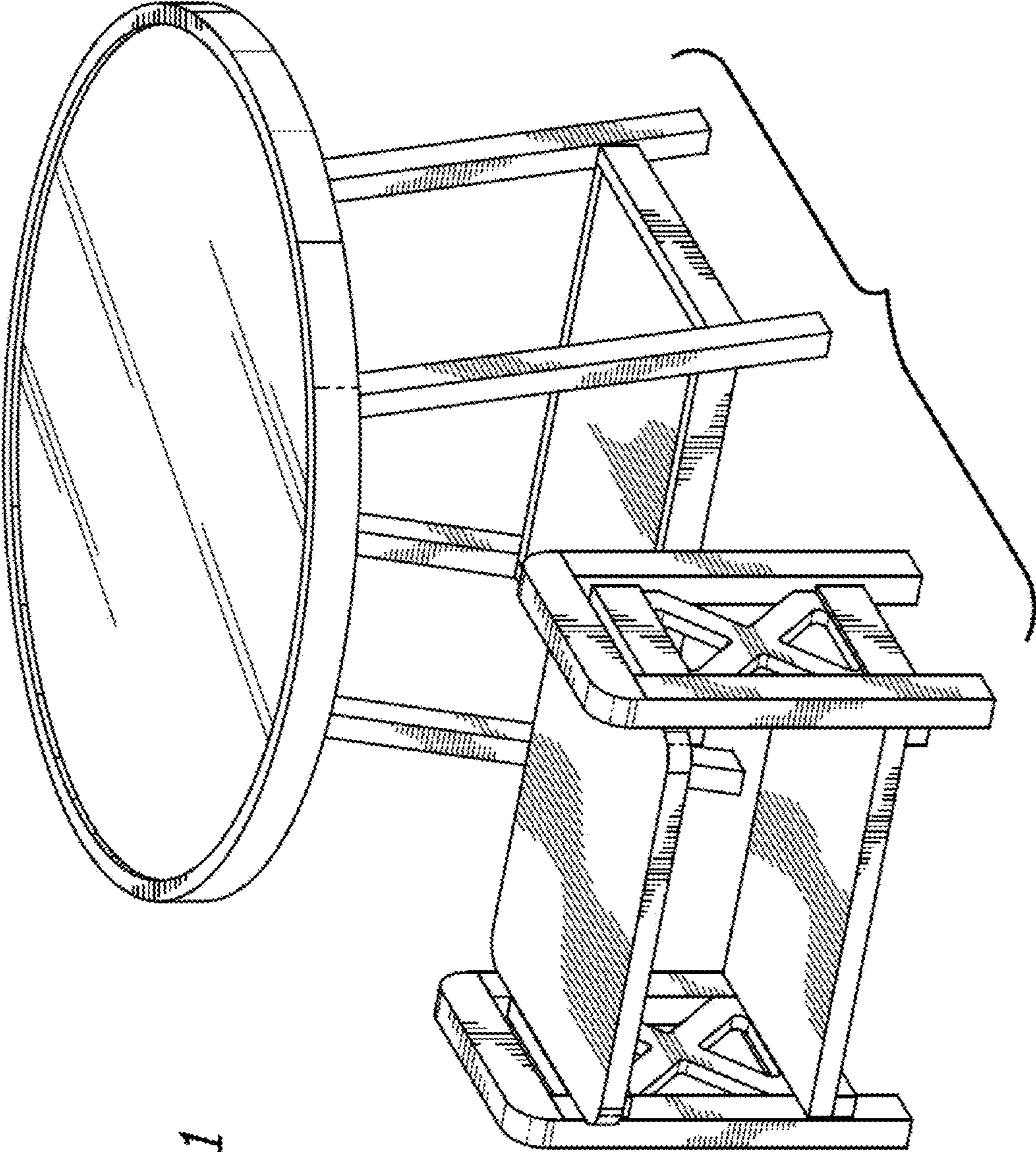
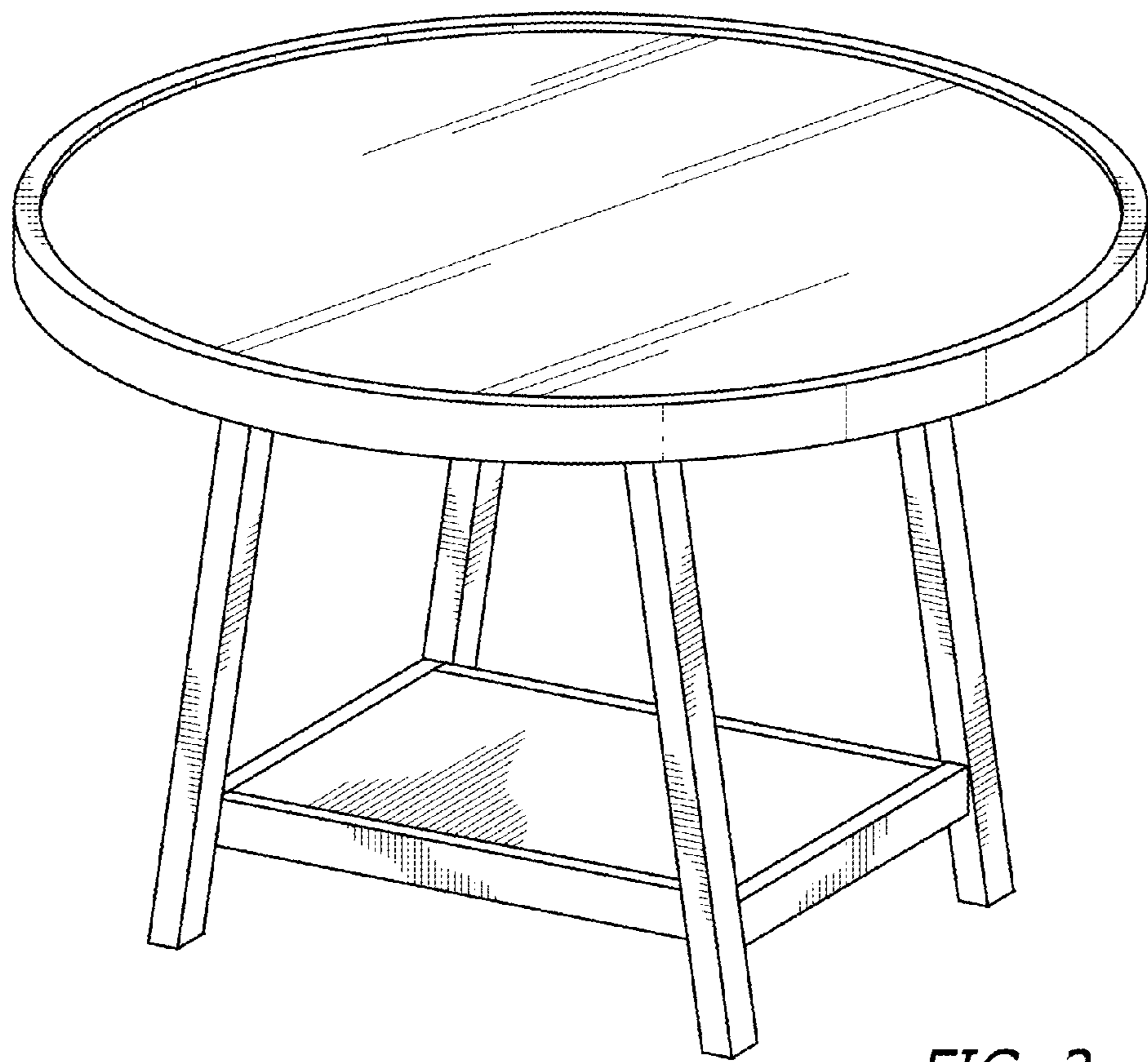
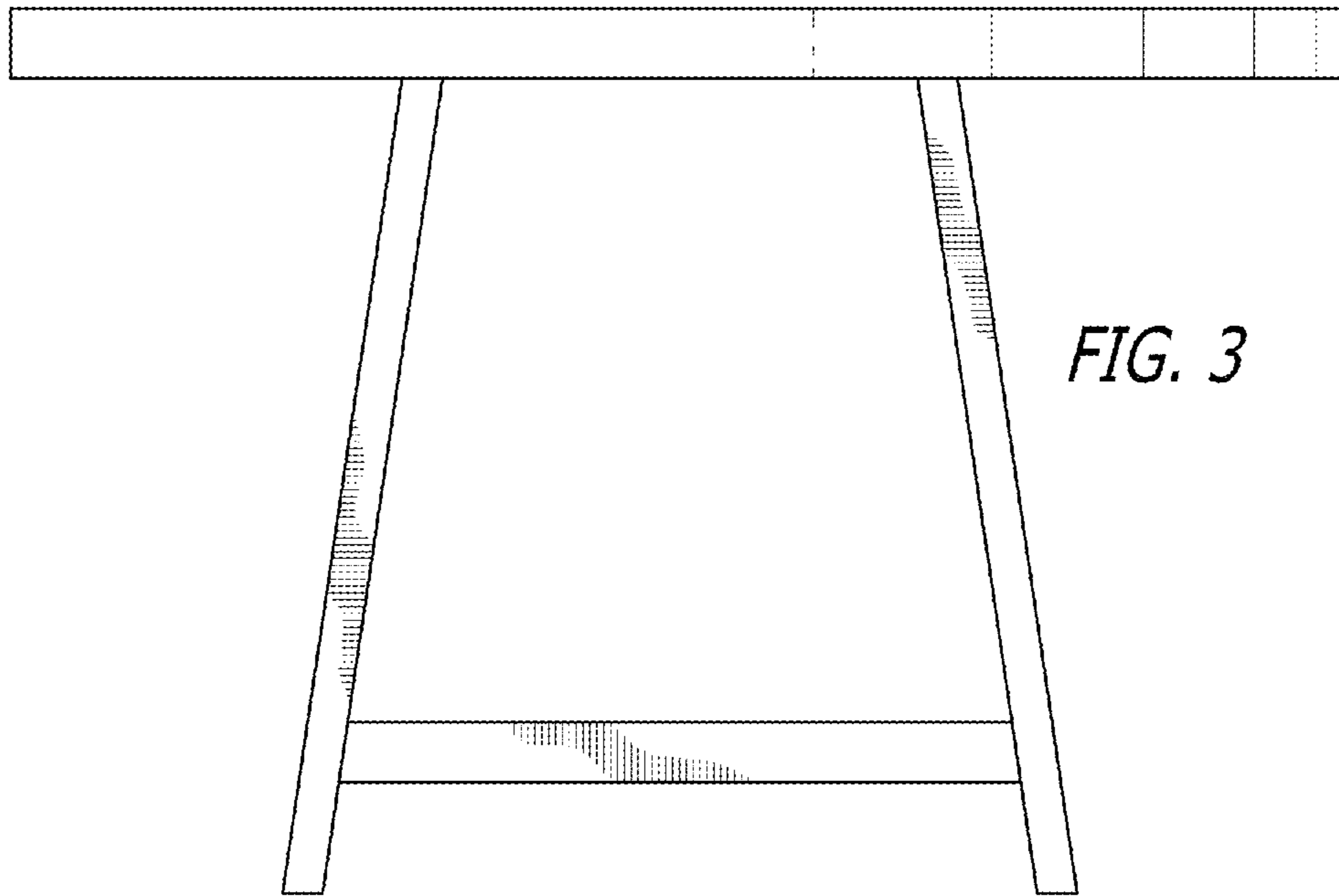


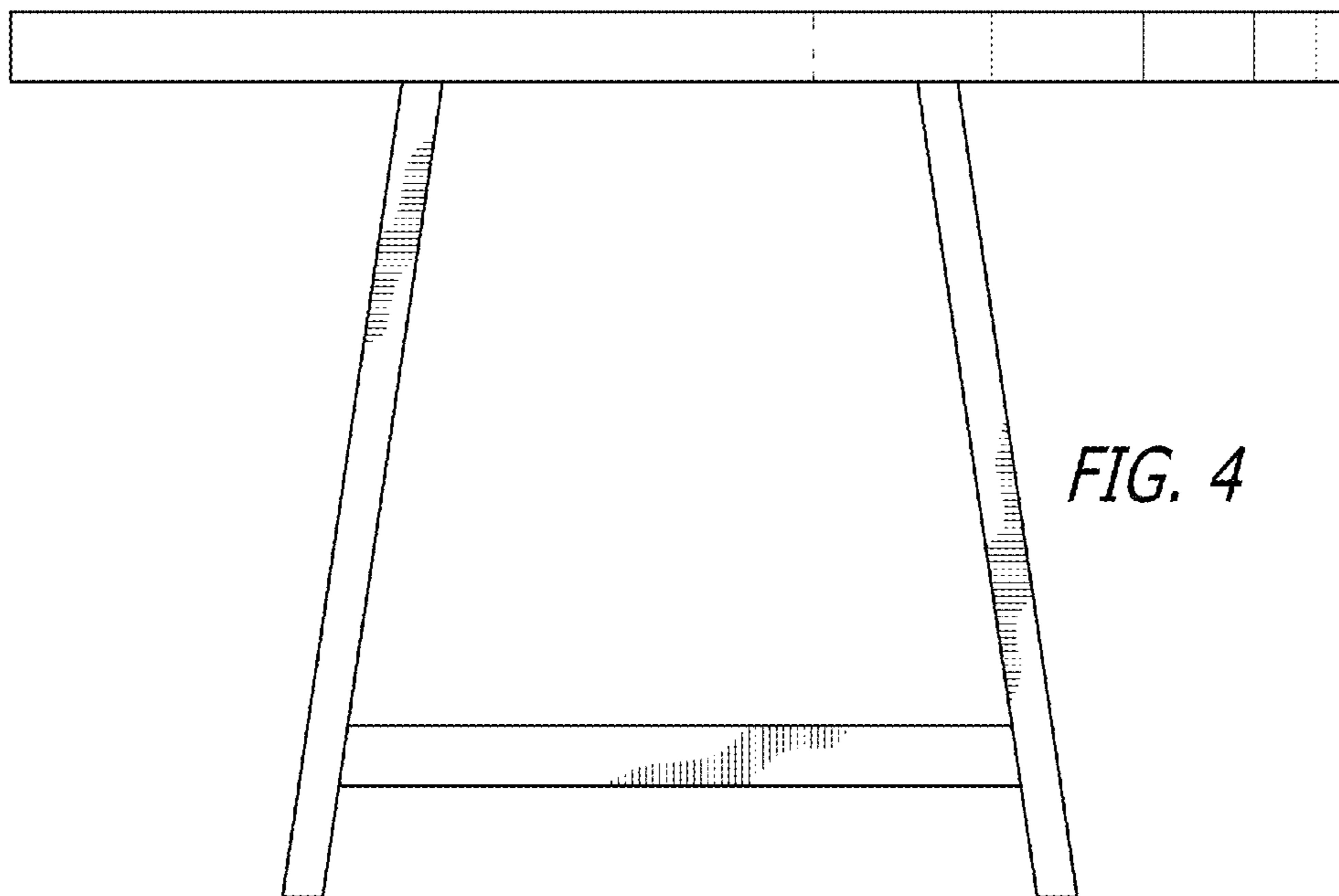
FIG. 1



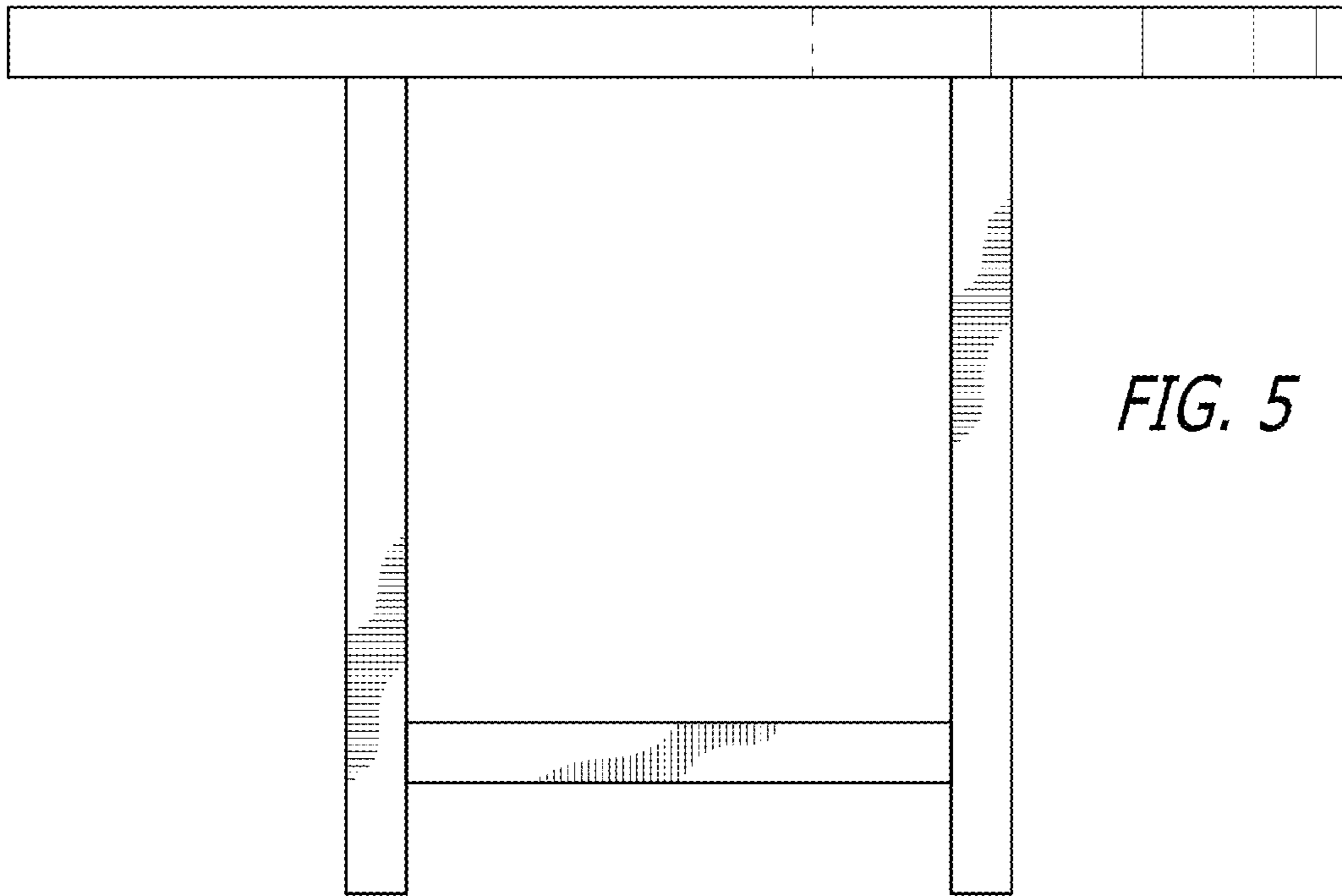
*FIG. 2*



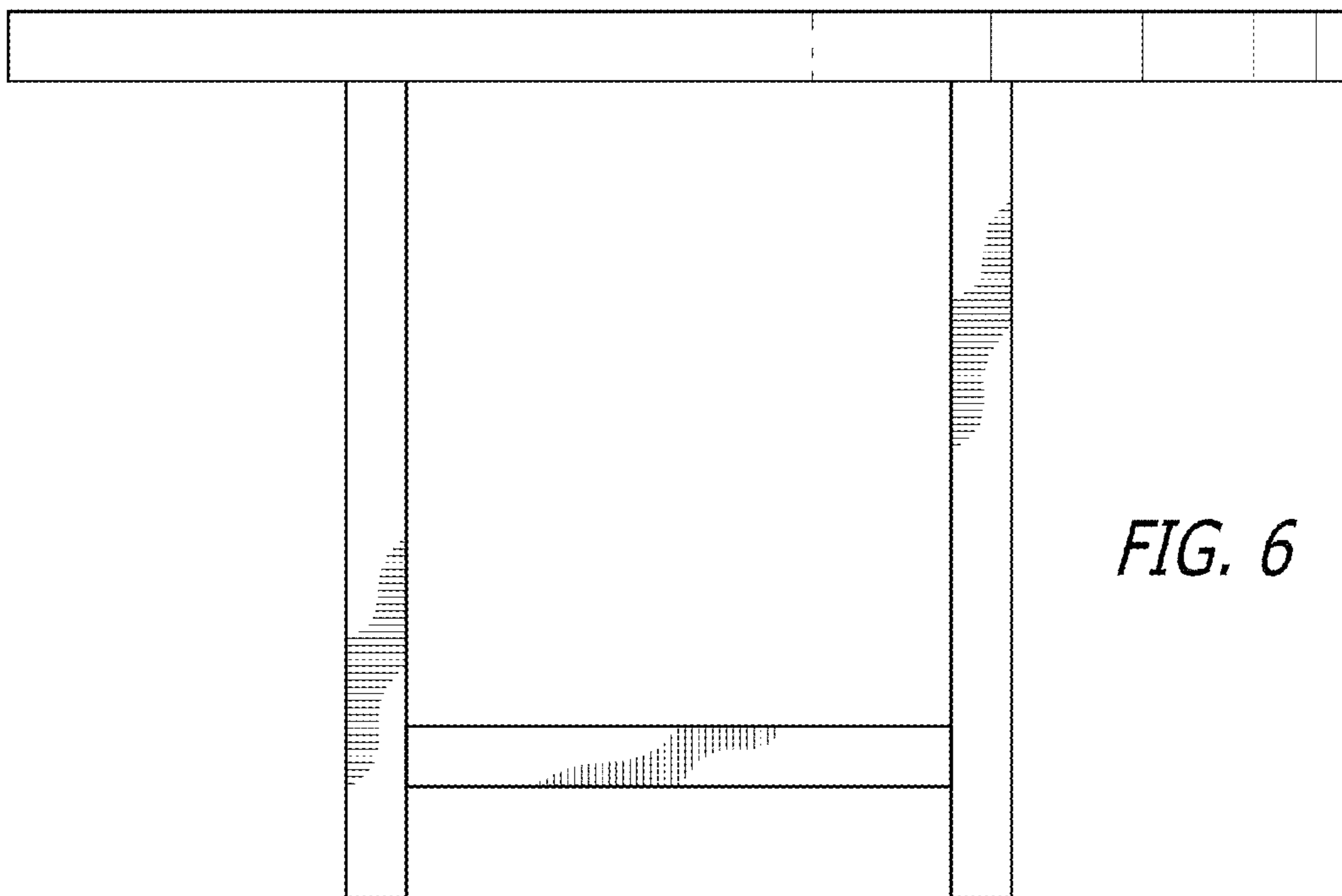
*FIG. 3*



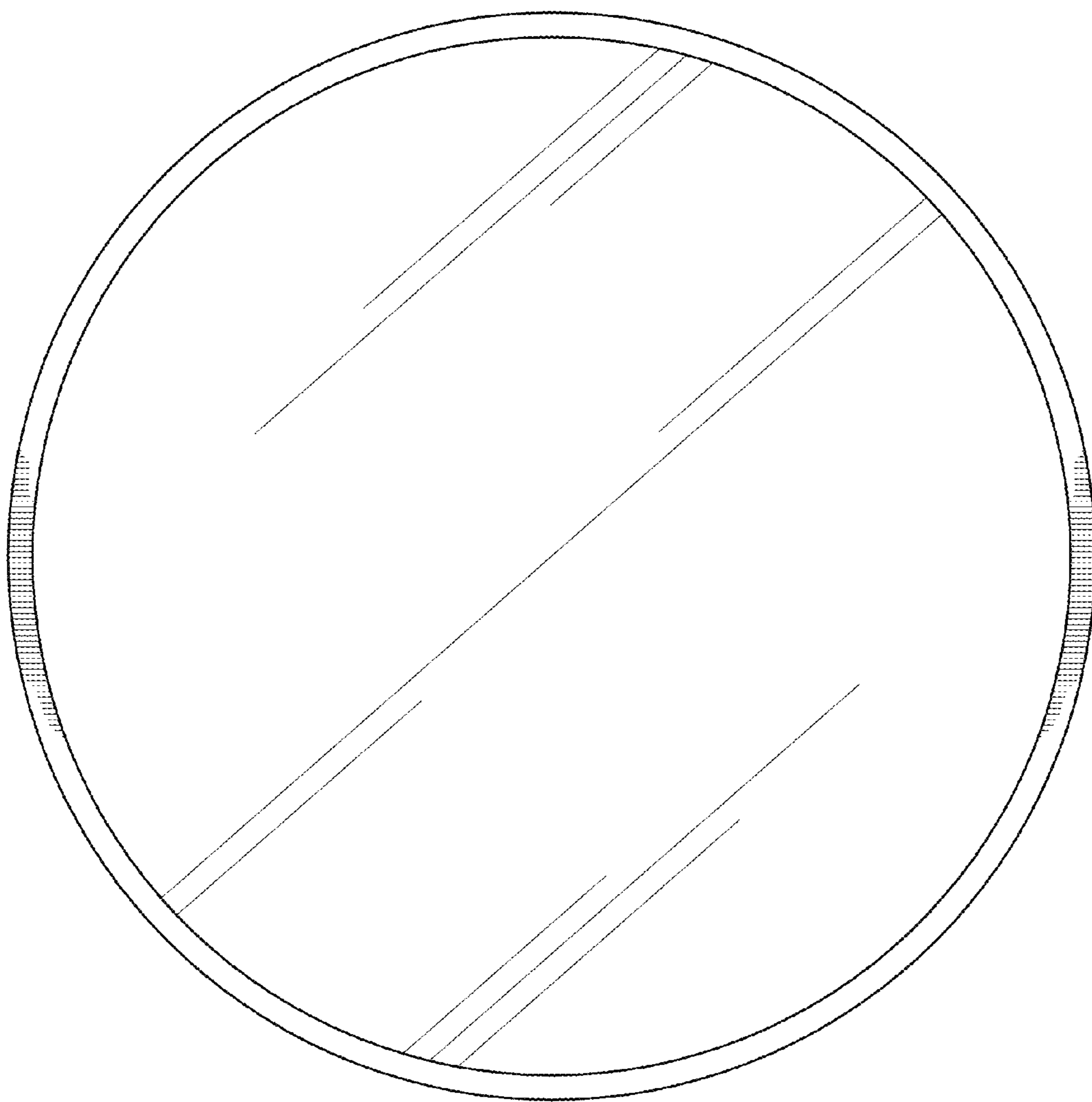
*FIG. 4*



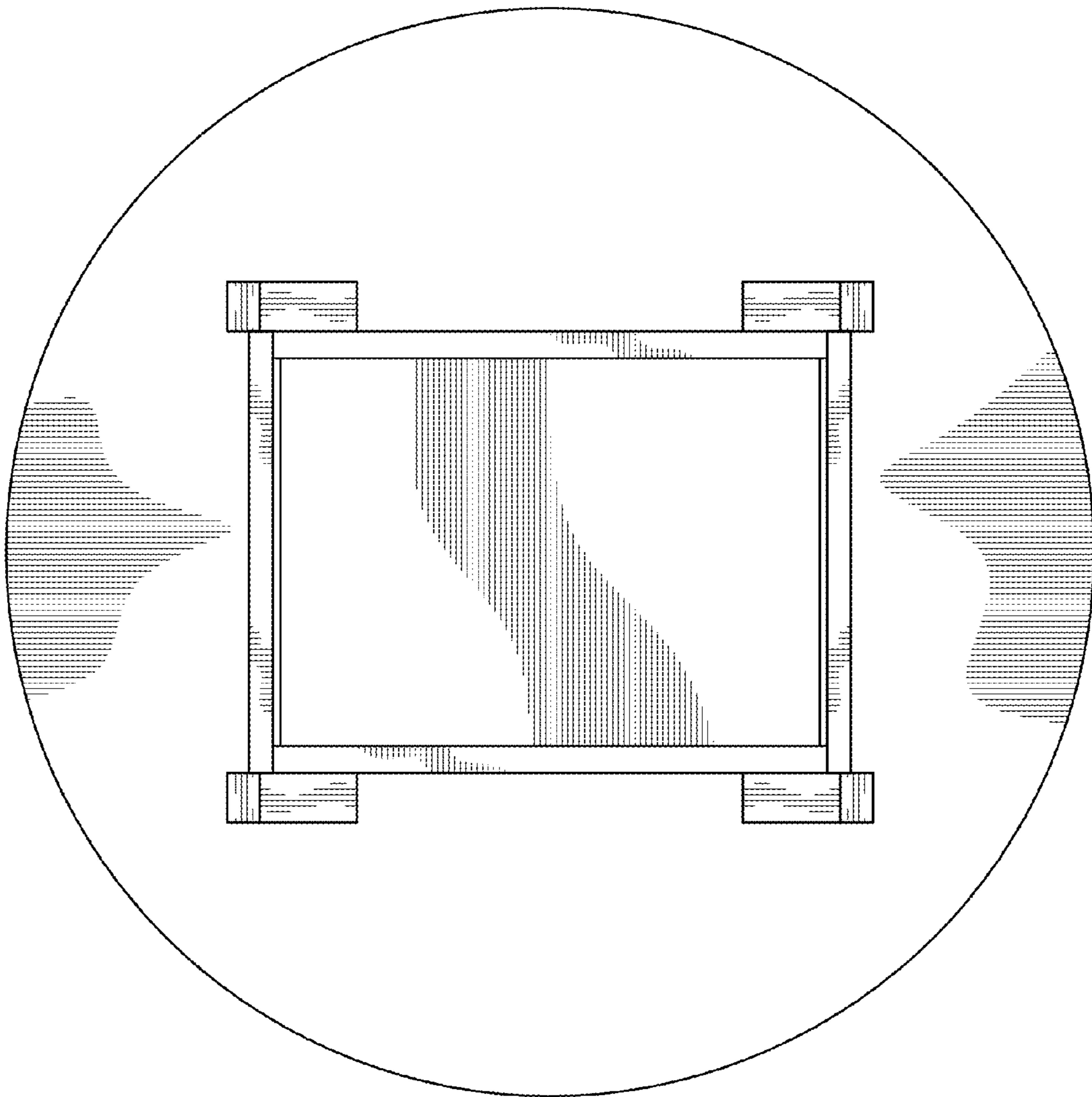
*FIG. 5*



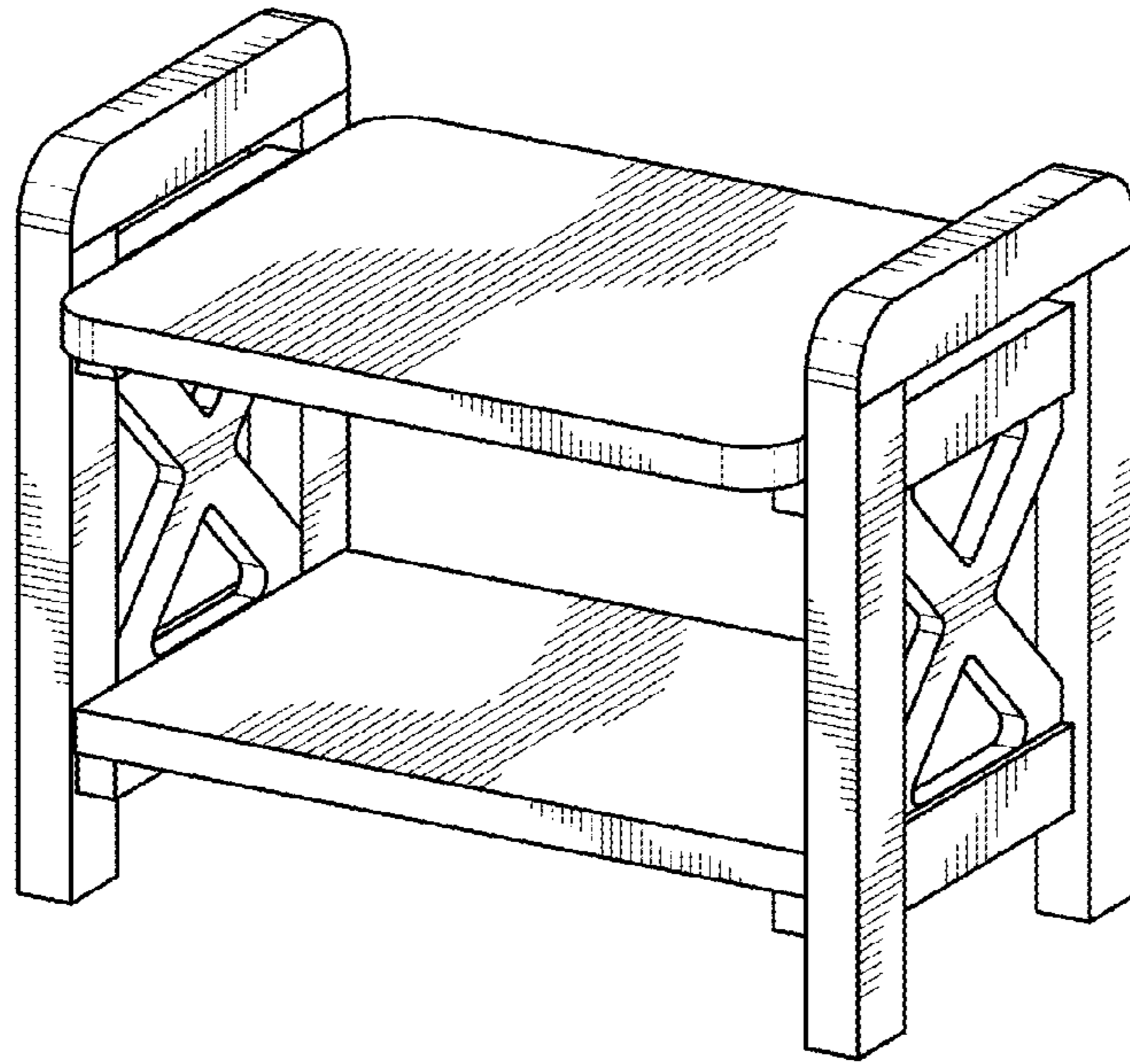
*FIG. 6*



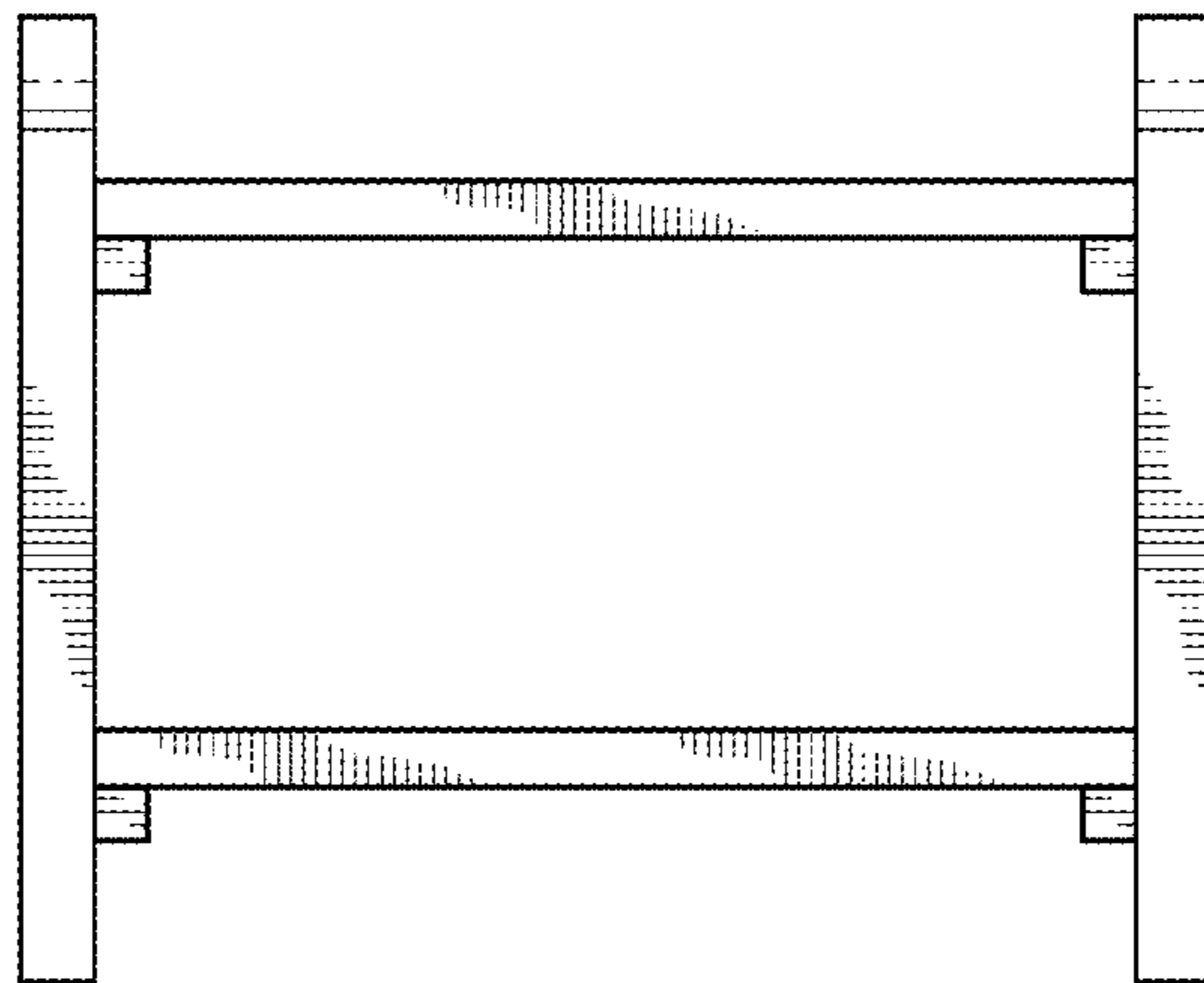
*FIG. 7*



*FIG. 8*

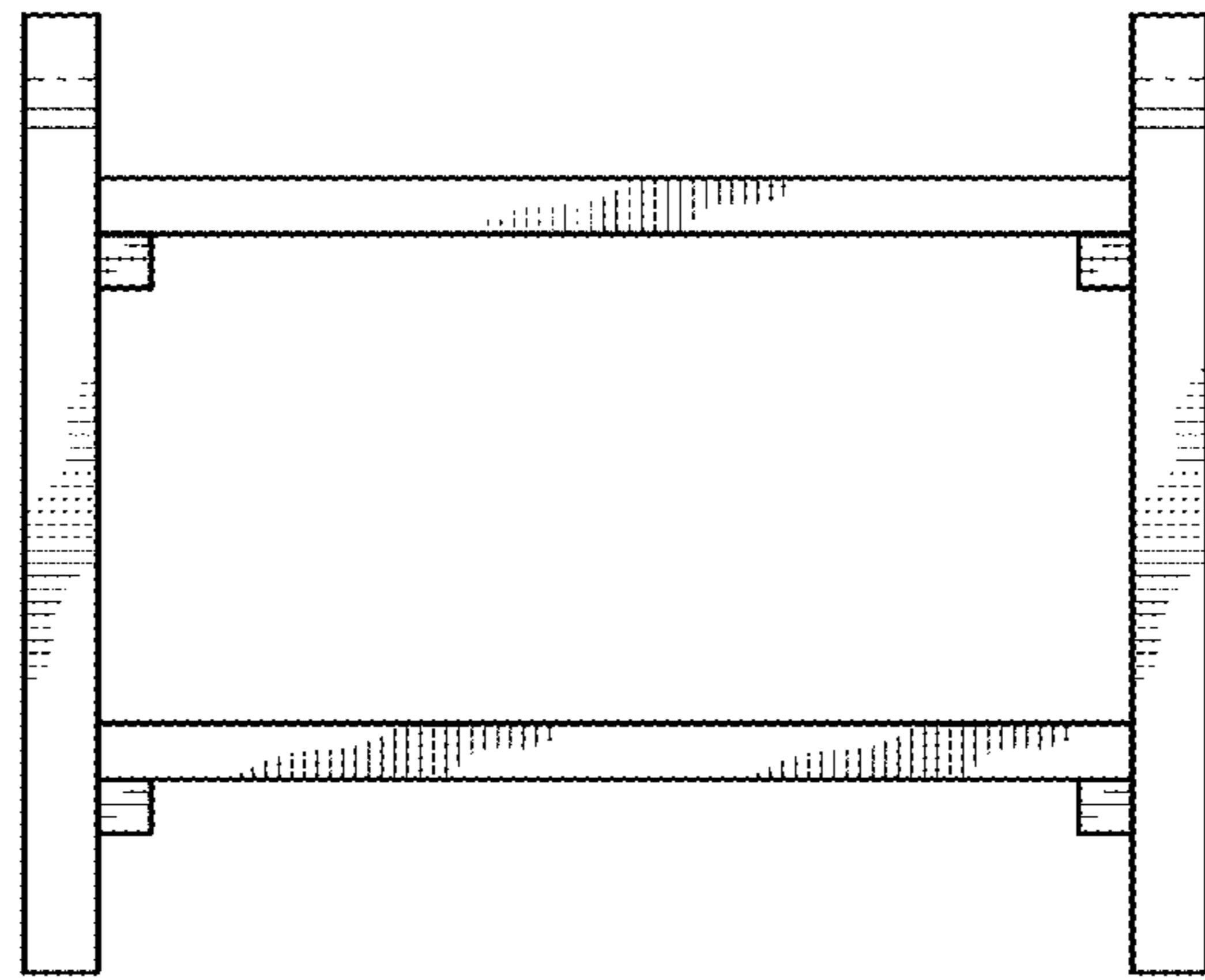


*FIG. 9*

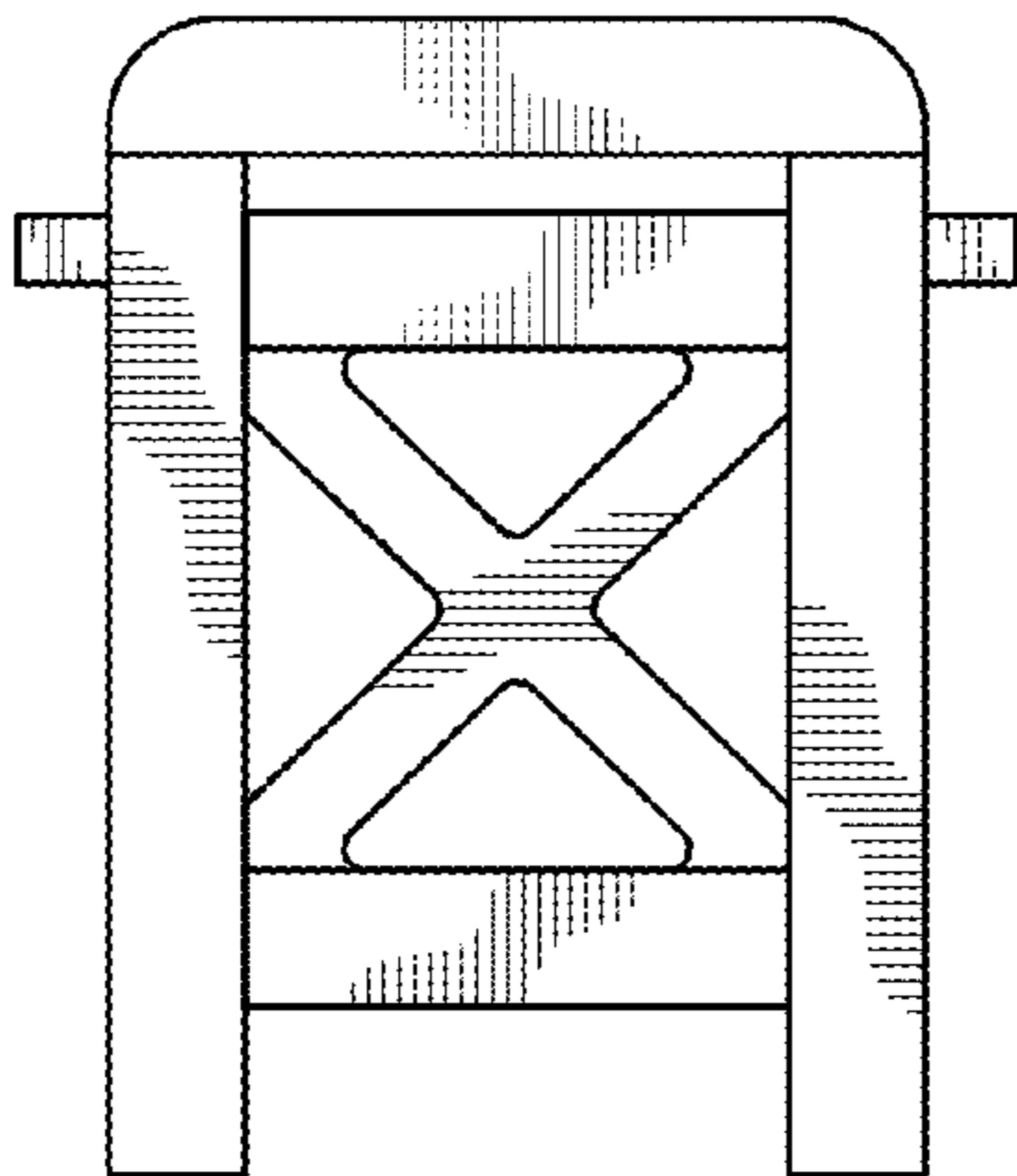


*FIG. 10*

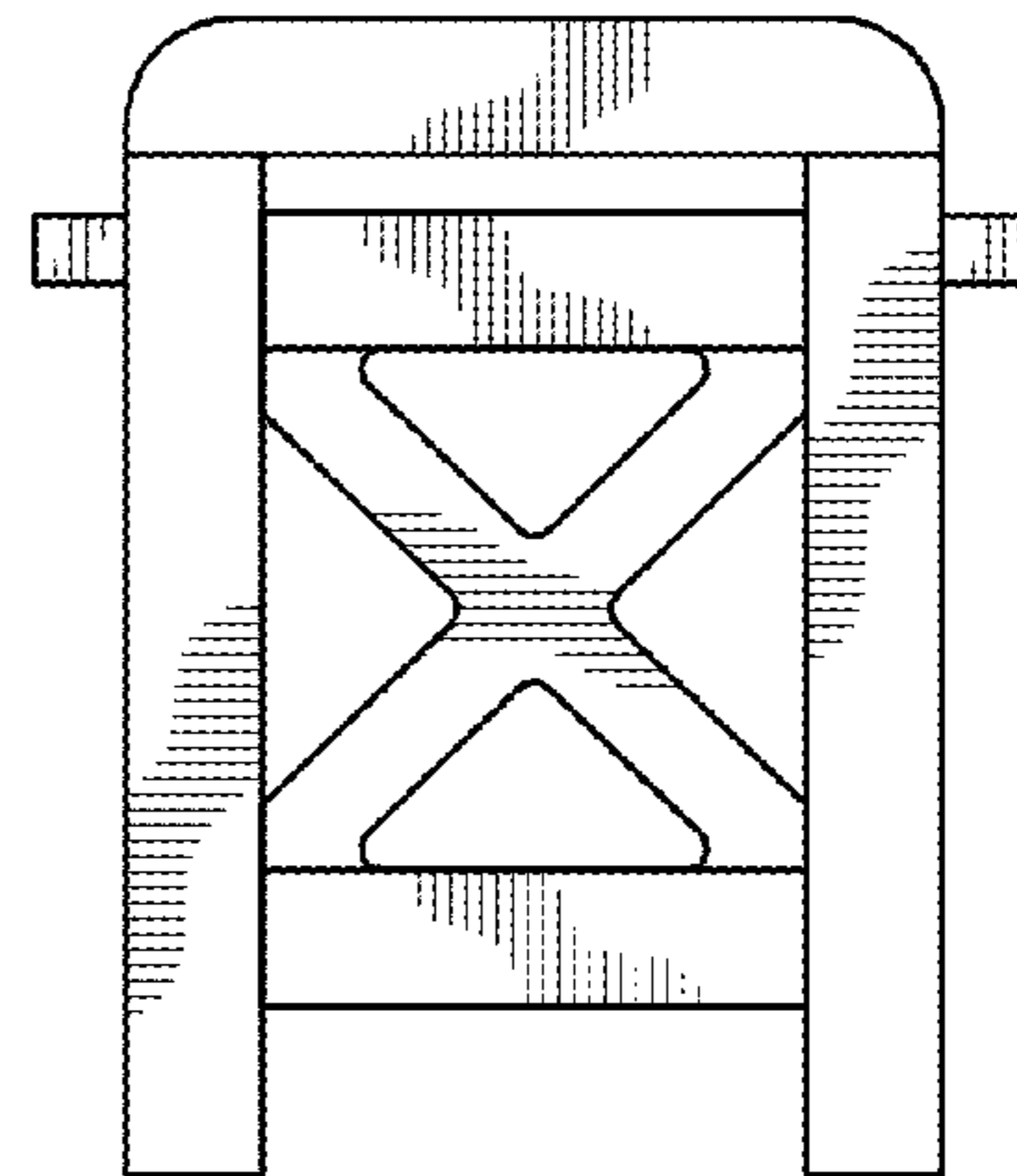




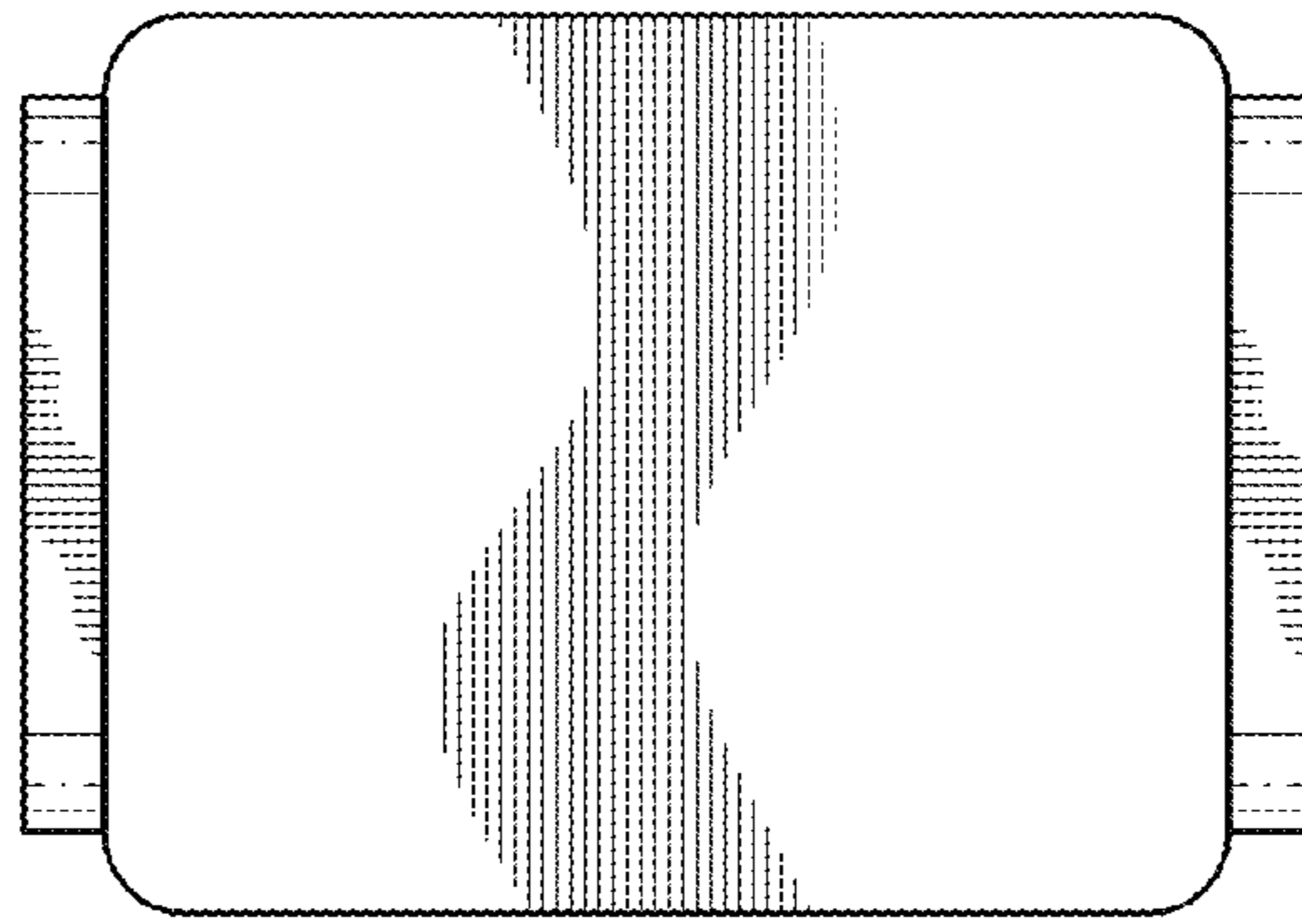
*FIG. 11*



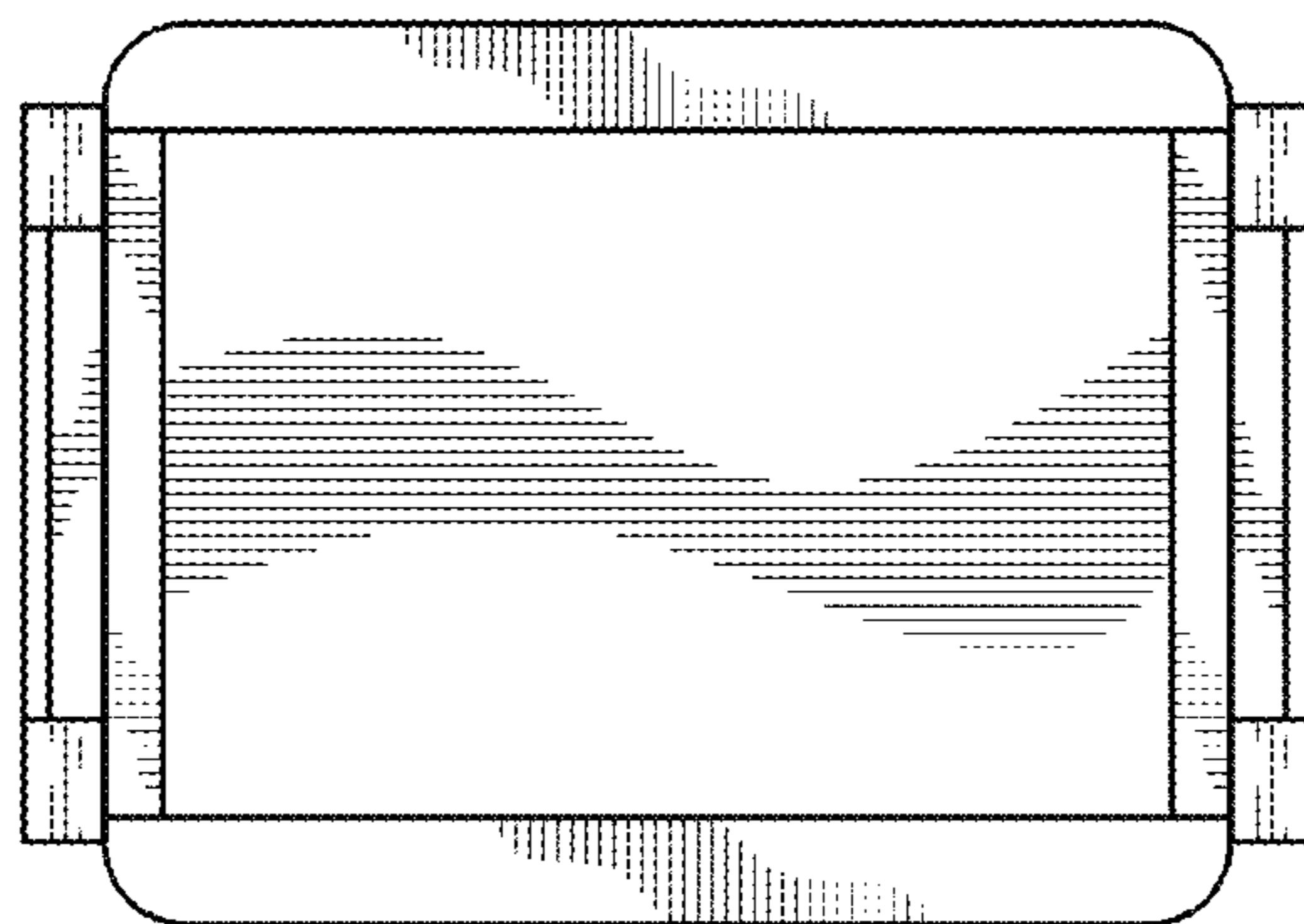
*FIG. 12*



*FIG. 13*



*FIG. 14*



*FIG. 15*