

US00D722770S

(12) **United States Design Patent**  
**Lin**

(10) **Patent No.:** **US D722,770 S**

(45) **Date of Patent:** **\*\* Feb. 24, 2015**

(54) **TOOL BOX**

(71) Applicant: **Chih-Hung Lin**, Taichung (TW)

(72) Inventor: **Chih-Hung Lin**, Taichung (TW)

(\*\*) Term: **14 Years**

(21) Appl. No.: **29/479,823**

(22) Filed: **Jan. 21, 2014**

(51) **LOC (10) Cl.** ..... **03-01**

(52) **U.S. Cl.**  
USPC ..... **D3/273; D3/905**

(58) **Field of Classification Search**  
CPC . B25H 3/02-3/028; B25H 3/00; B25H 3/003;  
B25H 3/006  
USPC ..... D3/276, 279, 281, 282, 283, 284, 291,  
D3/294, 295, 297, 298, 901, 905, 288, 292,  
D3/273, 302; 206/372-379, 1.7;  
220/523-528; D9/415

See application file for complete search history.

(56) **References Cited**

**U.S. PATENT DOCUMENTS**

4,619,364 A \* 10/1986 Czopor, Jr. .... 206/379  
D338,619 S \* 8/1993 Mylander et al. .... D9/415  
D348,155 S \* 6/1994 McCreary et al. .... D3/295  
D358,765 S \* 5/1995 Dickinson et al. .... D3/279

5,490,975 A \* 2/1996 Dane ..... 422/300  
5,562,208 A \* 10/1996 Hasler et al. .... 206/373  
6,814,225 B2 \* 11/2004 Belden et al. .... 206/1.5  
D513,121 S \* 12/2005 Rosine et al. .... D3/273  
D606,392 S \* 12/2009 Prevost ..... D9/415  
D655,503 S \* 3/2012 Deguglimo et al. .... D3/293  
D694,616 S \* 12/2013 Prevost ..... D9/420  
D710,098 S \* 8/2014 Horowitz ..... D3/276  
2013/0221008 A1 \* 8/2013 Werth ..... 220/324

\* cited by examiner

*Primary Examiner* — Jennifer Rivard

*Assistant Examiner* — April Rivas

(74) *Attorney, Agent, or Firm* — Muncy, Geissler, Olds & Lowe, P.C.

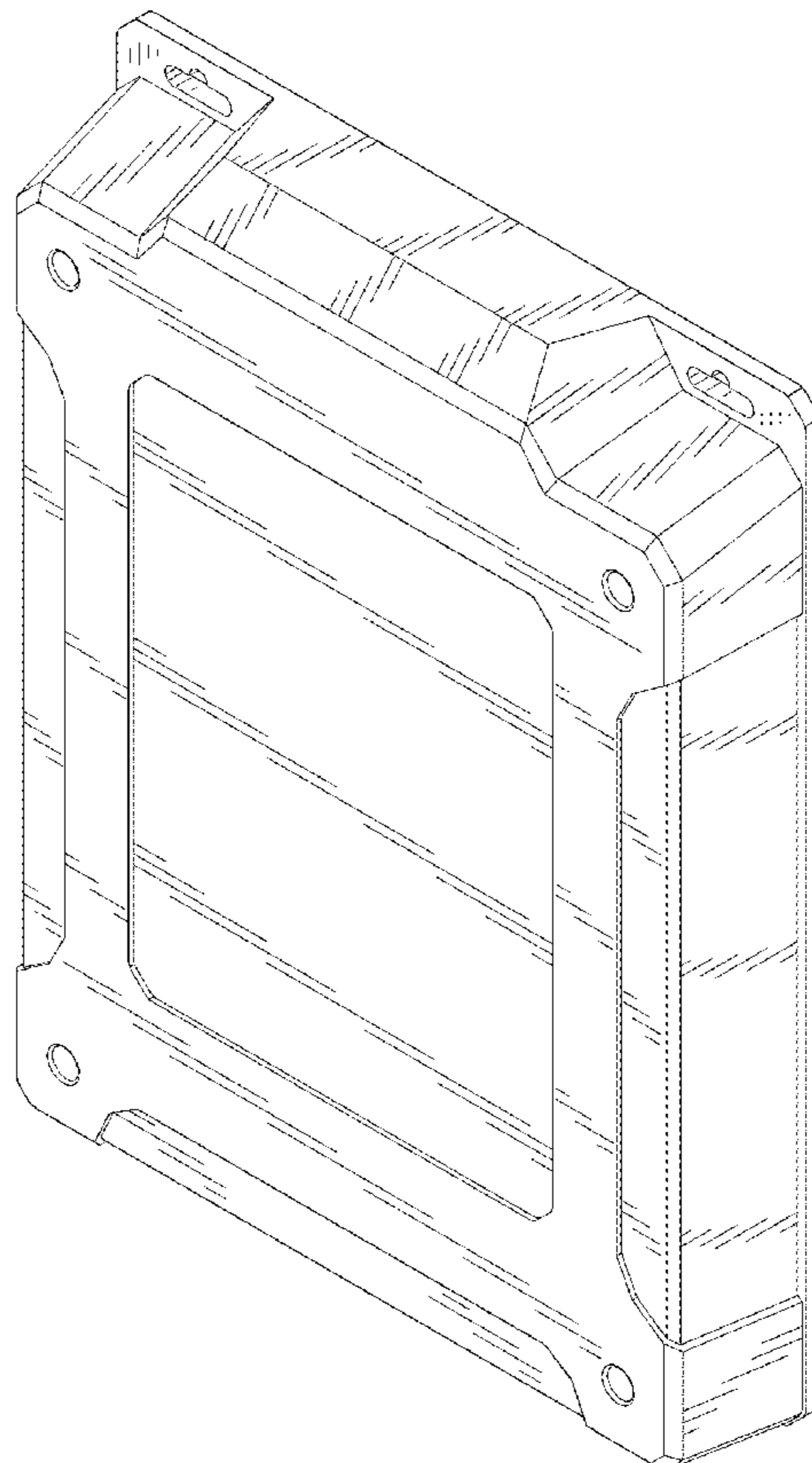
(57) **CLAIM**

I claim the ornamental design for a tool box, as shown and described.

**DESCRIPTION**

FIG. 1 is a perspective view of a tool box showing my new design;  
FIG. 2 is a front elevational view thereof;  
FIG. 3 is a rear elevational view thereof;  
FIG. 4 is a left side view thereof;  
FIG. 5 is a right side view thereof;  
FIG. 6 is a top plan view thereof; and,  
FIG. 7 is a bottom plan view.

**1 Claim, 5 Drawing Sheets**



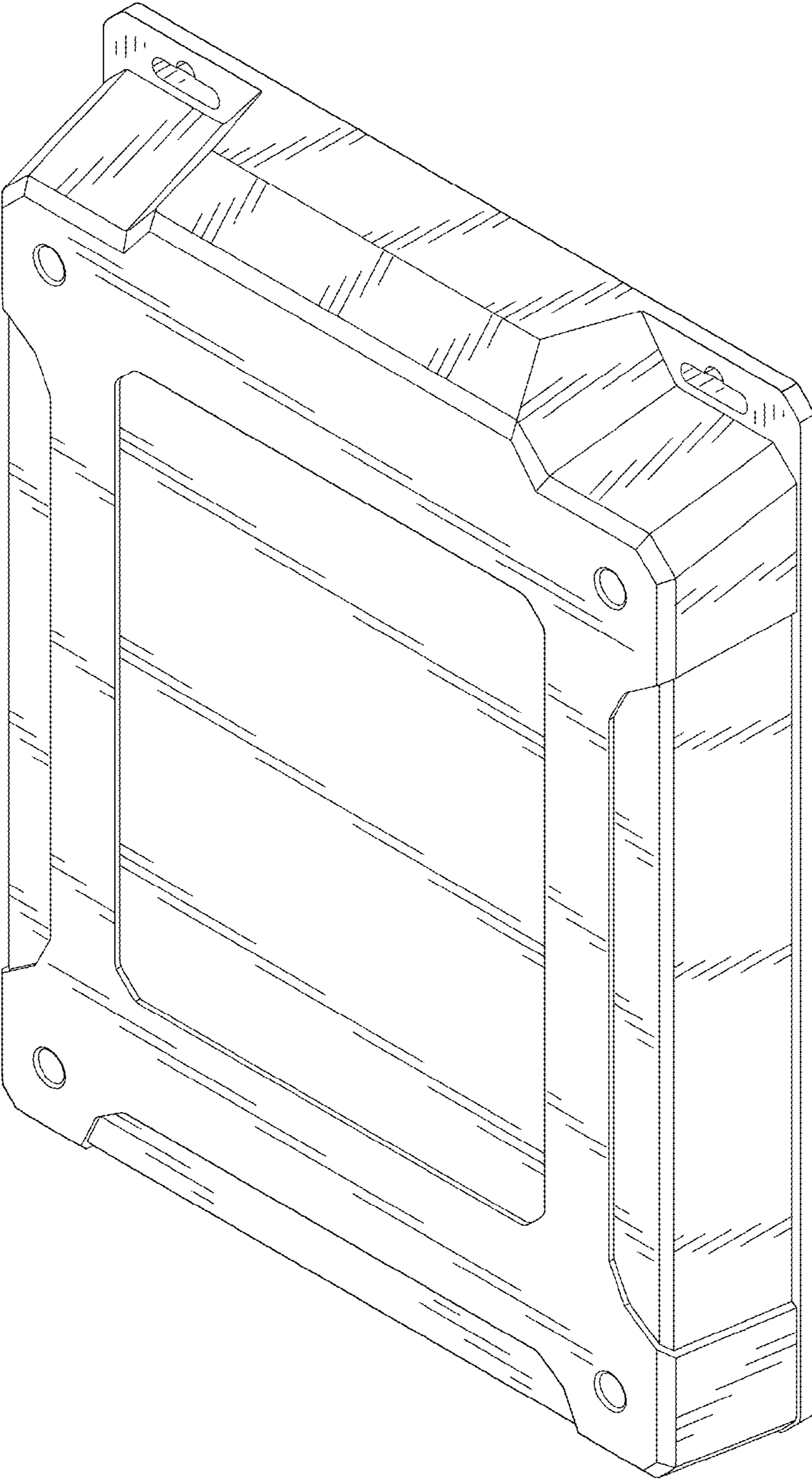


FIG. 1

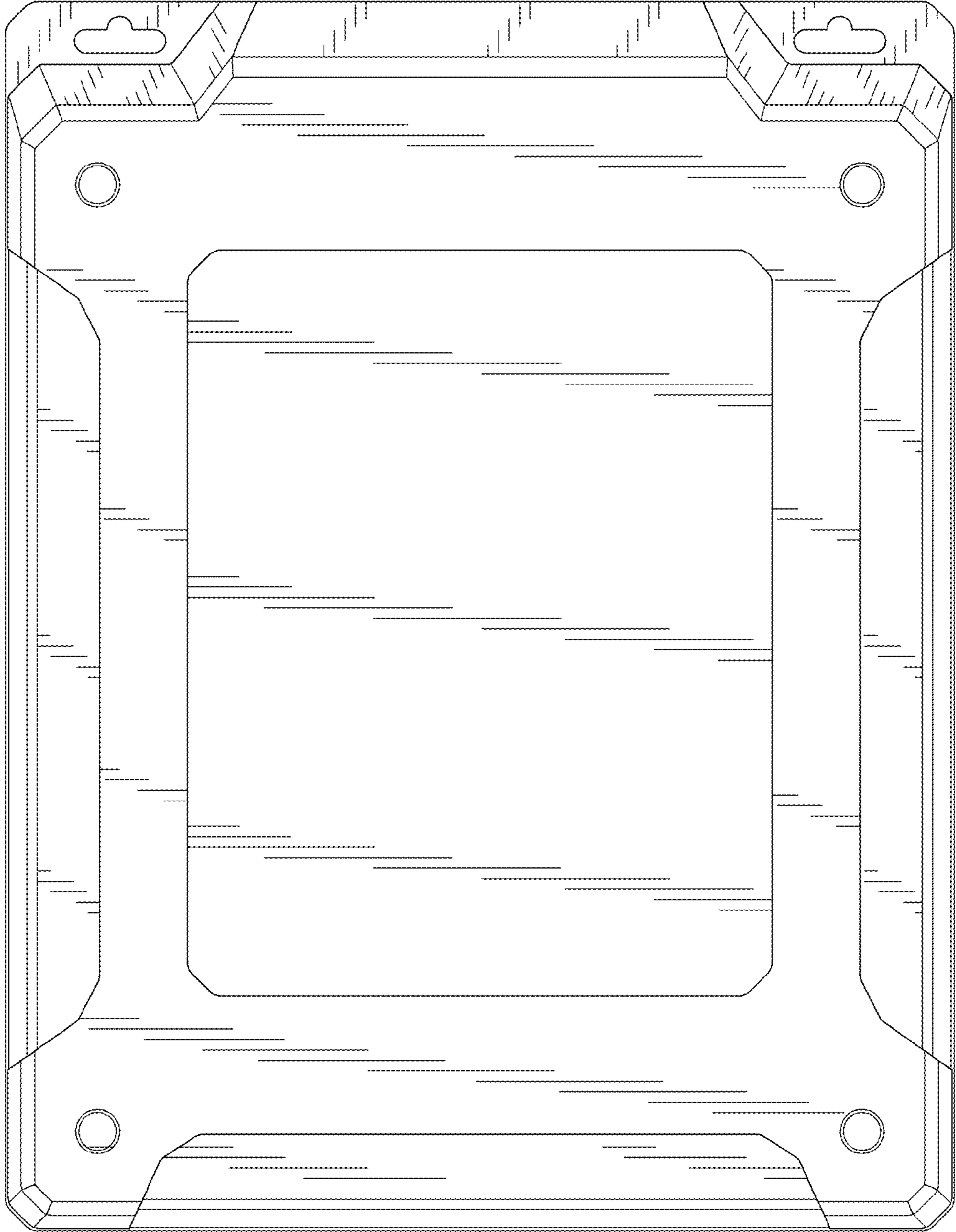


FIG. 2

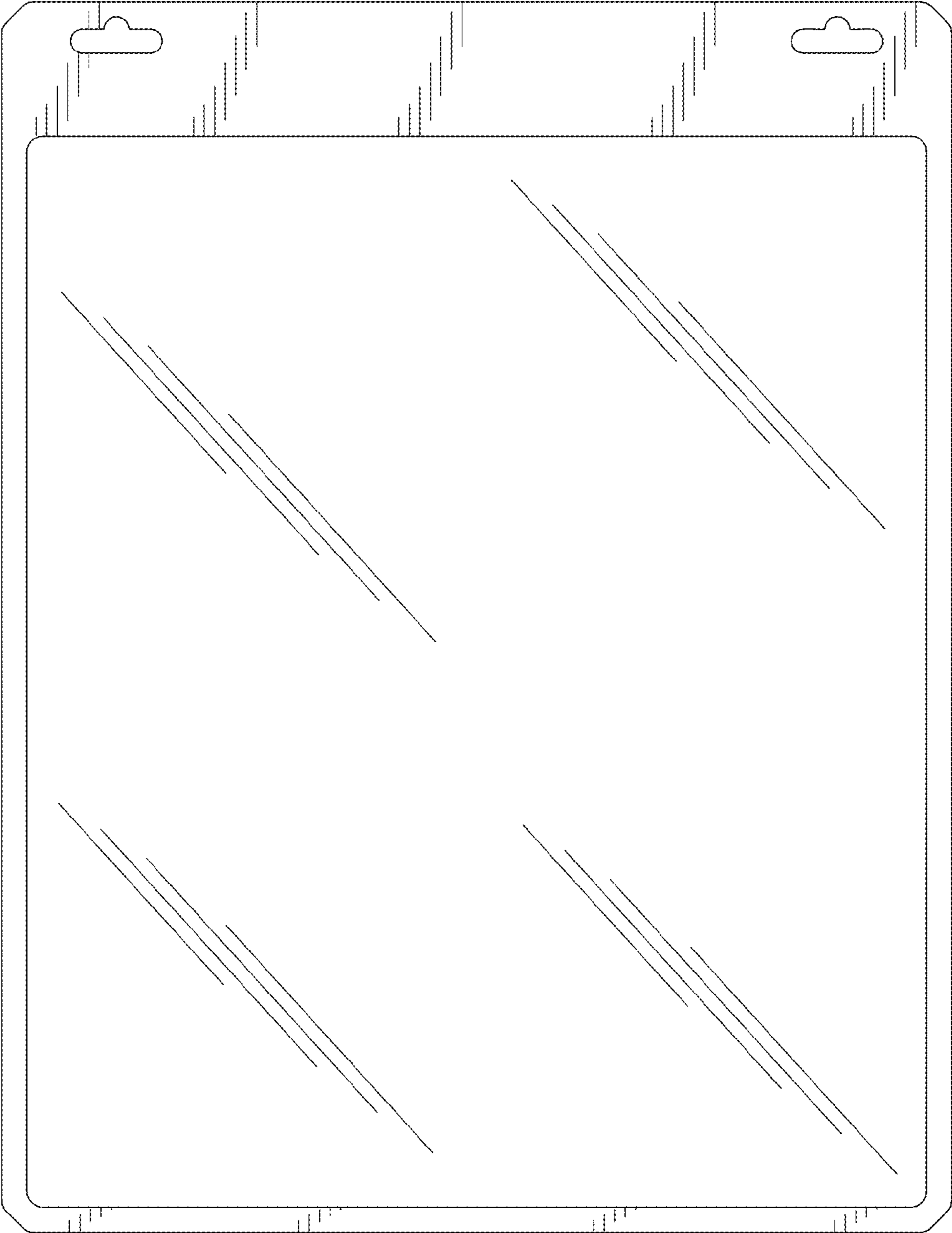


FIG. 3

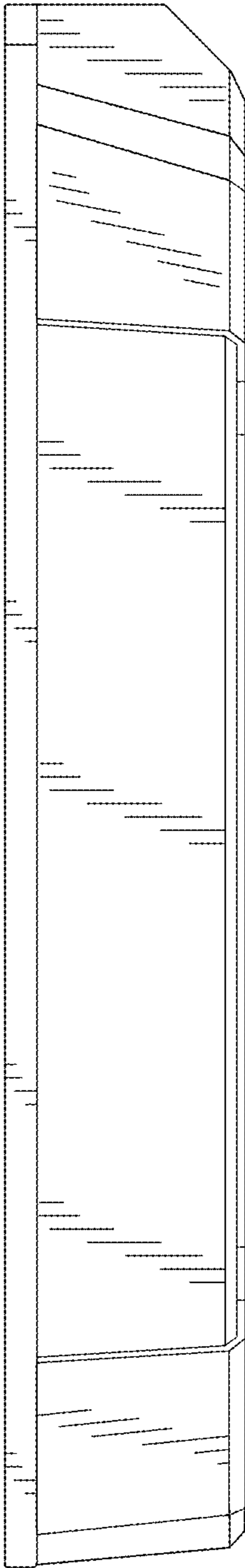


FIG. 4

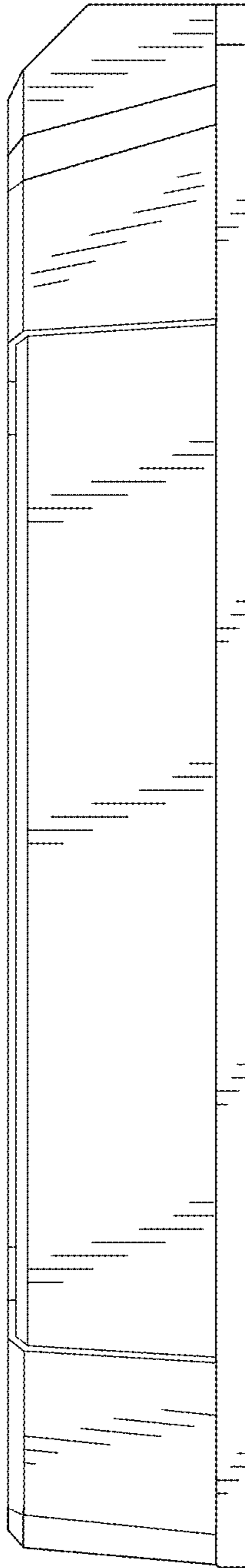


FIG. 5

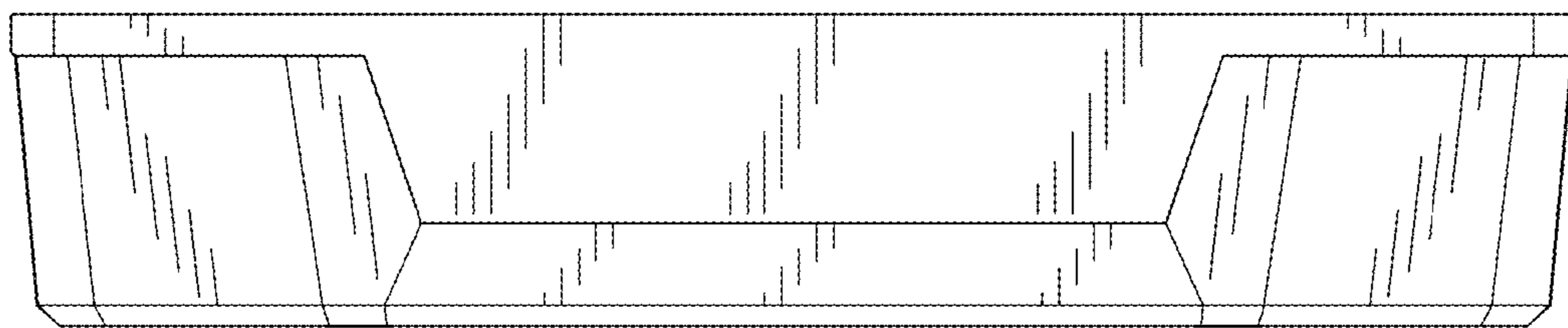


FIG. 6

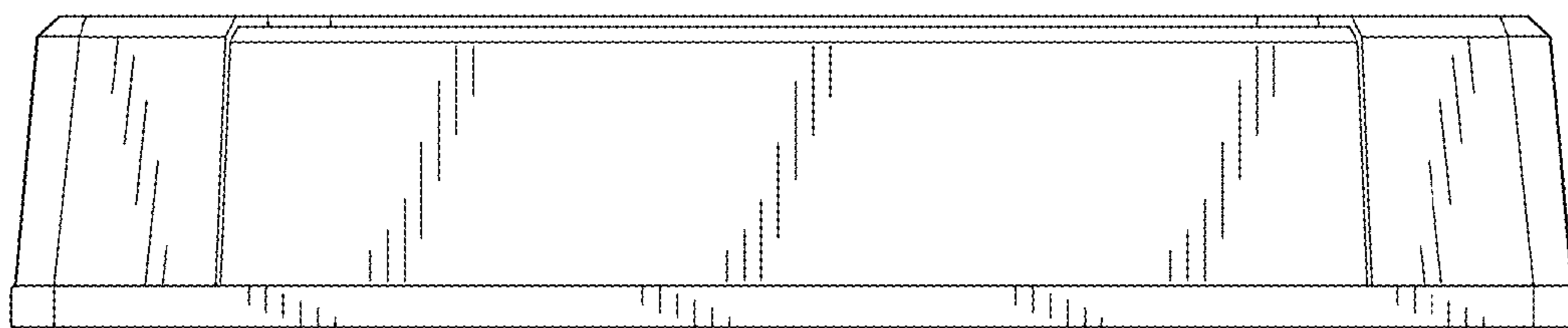


FIG. 7