



US00D722765S

(12) **United States Design Patent**  
**Abrego**

(10) **Patent No.:** **US D722,765 S**

(45) **Date of Patent:** **\*\* Feb. 24, 2015**

(54) **CHAPS LEGGING**

(71) Applicant: **Marco Abrego**, Fillmore, CA (US)

(72) Inventor: **Marco Abrego**, Fillmore, CA (US)

(\*\*) Term: **14 Years**

(21) Appl. No.: **29/494,872**

(22) Filed: **Jun. 25, 2014**

(51) **LOC (10) Cl.** ..... **03-01**

(52) **U.S. Cl.**  
USPC ..... **D3/226**

(58) **Field of Classification Search**  
USPC ..... D3/226, 215, 224, 228; 224/219, 222,  
224/267, 269, 587, 240–241, 661, 674, 677,  
224/684

See application file for complete search history.

(56) **References Cited**

**U.S. PATENT DOCUMENTS**

4,303,187 A \* 12/1981 Berman ..... 224/222  
5,445,303 A \* 8/1995 Cawile, Jr. .... 224/222

D417,072 S \* 11/1999 Reinhart ..... D3/226  
D473,048 S \* 4/2003 DiLorenzo ..... D3/226  
D632,073 S \* 2/2011 Perez et al. .... D3/226  
D686,411 S \* 7/2013 Kidwell ..... D3/226

\* cited by examiner

*Primary Examiner* — Catheri Oliver-Garcia

(74) *Attorney, Agent, or Firm* — Ralph D. Chabot

(57) **CLAIM**

The ornamental design for a chaps legging, as shown and described.

**DESCRIPTION**

FIG. 1 is a top, front, left side perspective view;  
FIG. 2 is a top plan view;  
FIG. 3 is a bottom plan view;  
FIG. 4 is a left side elevation view;  
FIG. 5 is a front elevation view;  
FIG. 6 is a right side elevation view; and,  
FIG. 7 is a rear elevation view.

**1 Claim, 3 Drawing Sheets**

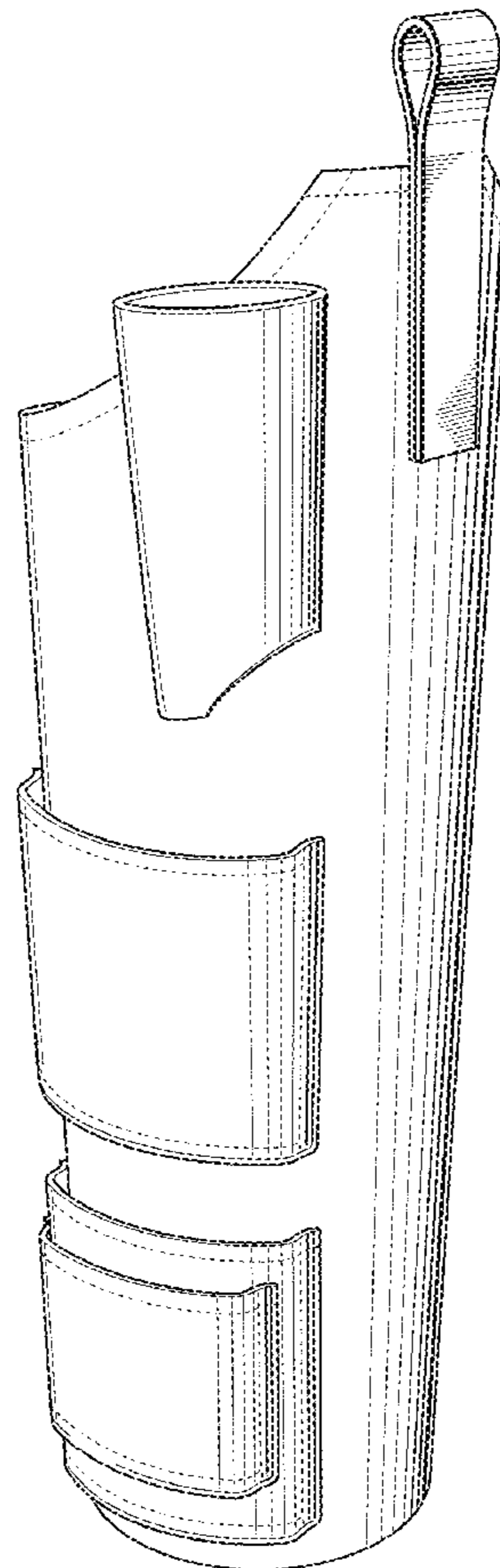


FIG. 1

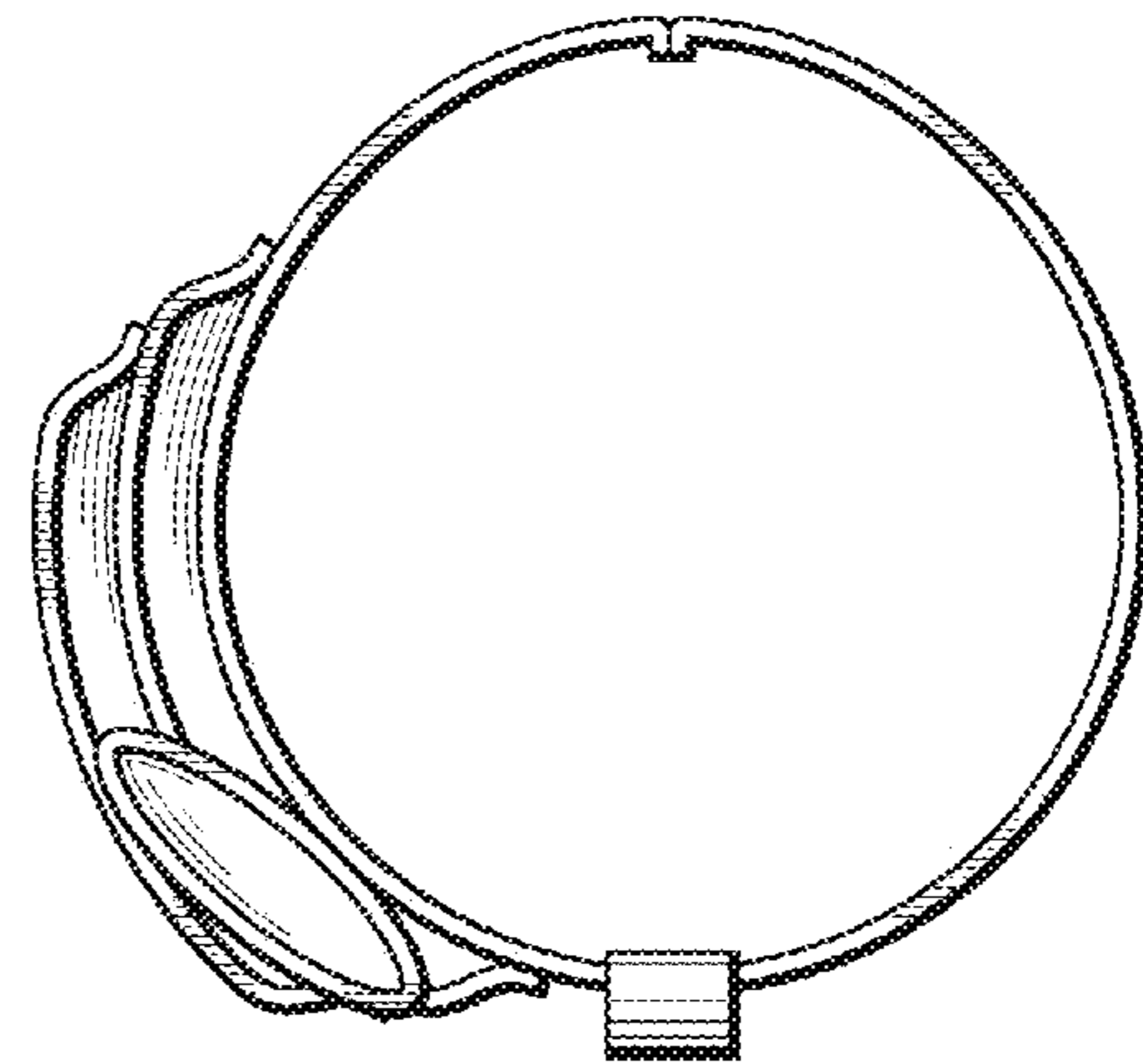
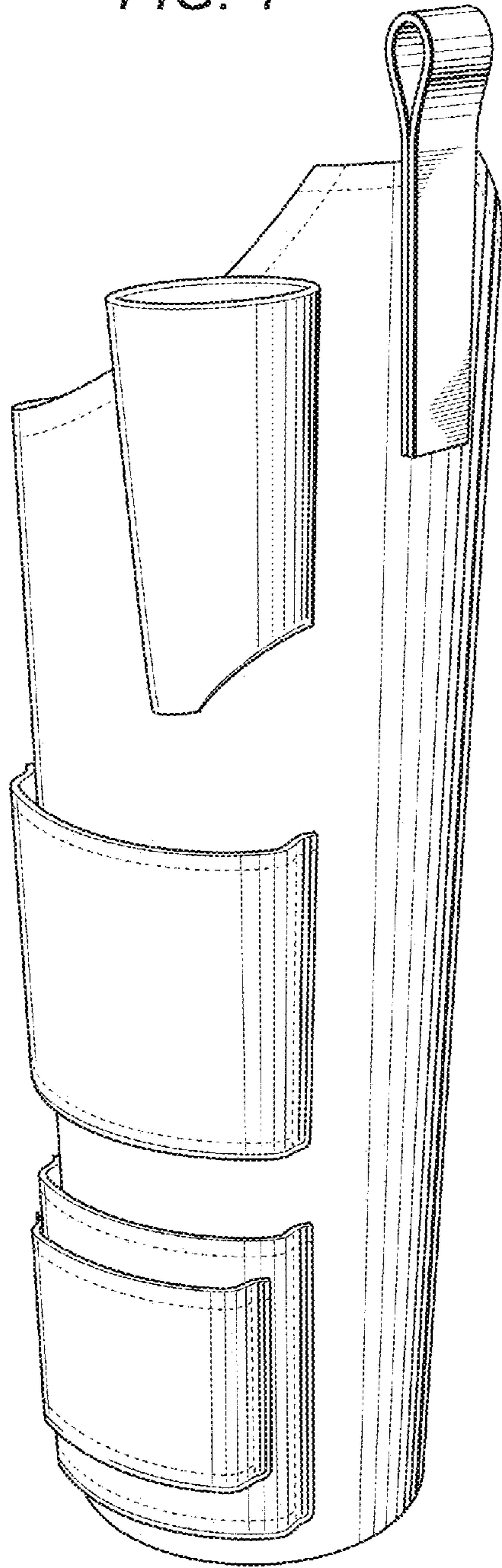
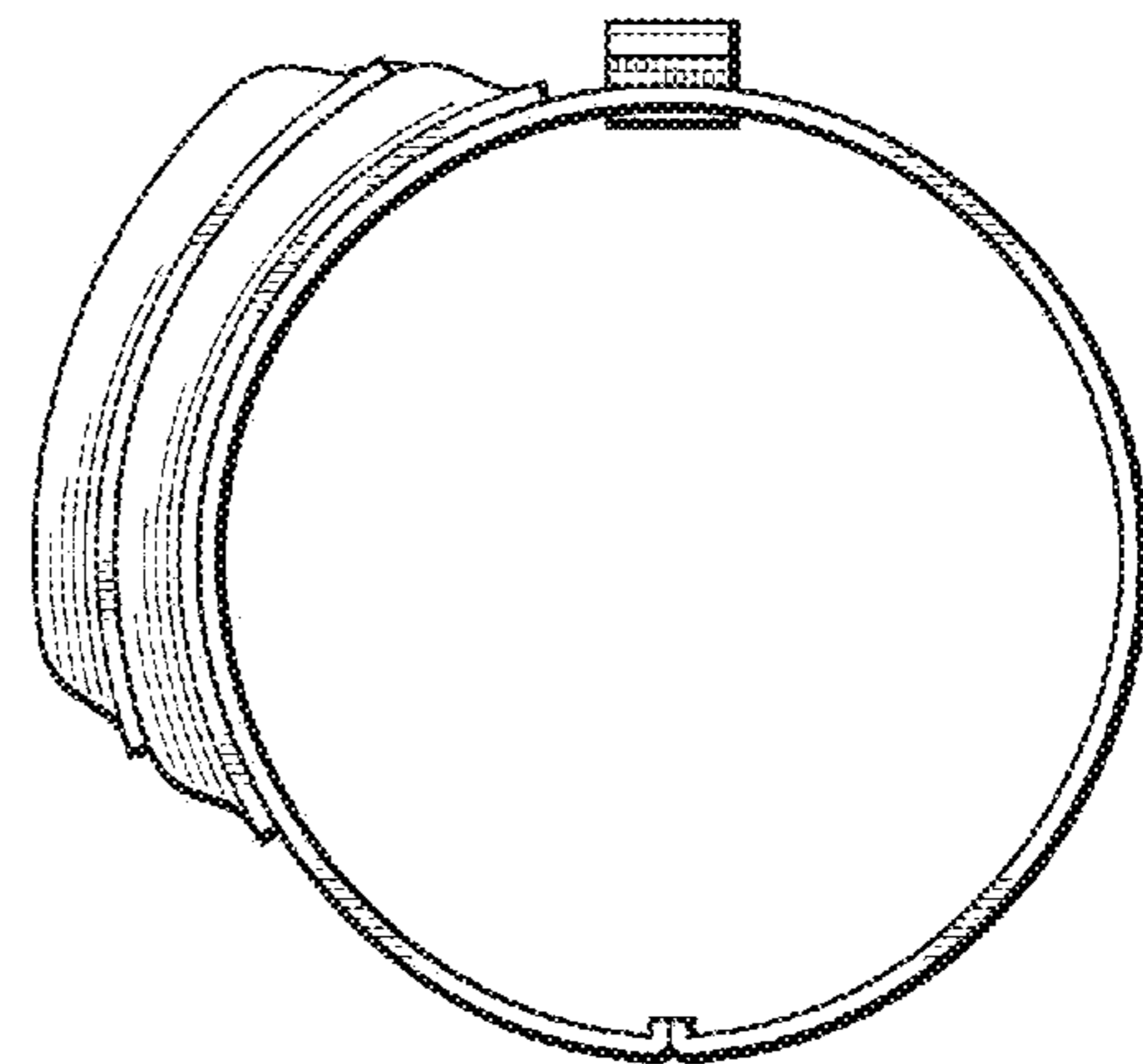


FIG. 2

FIG. 3



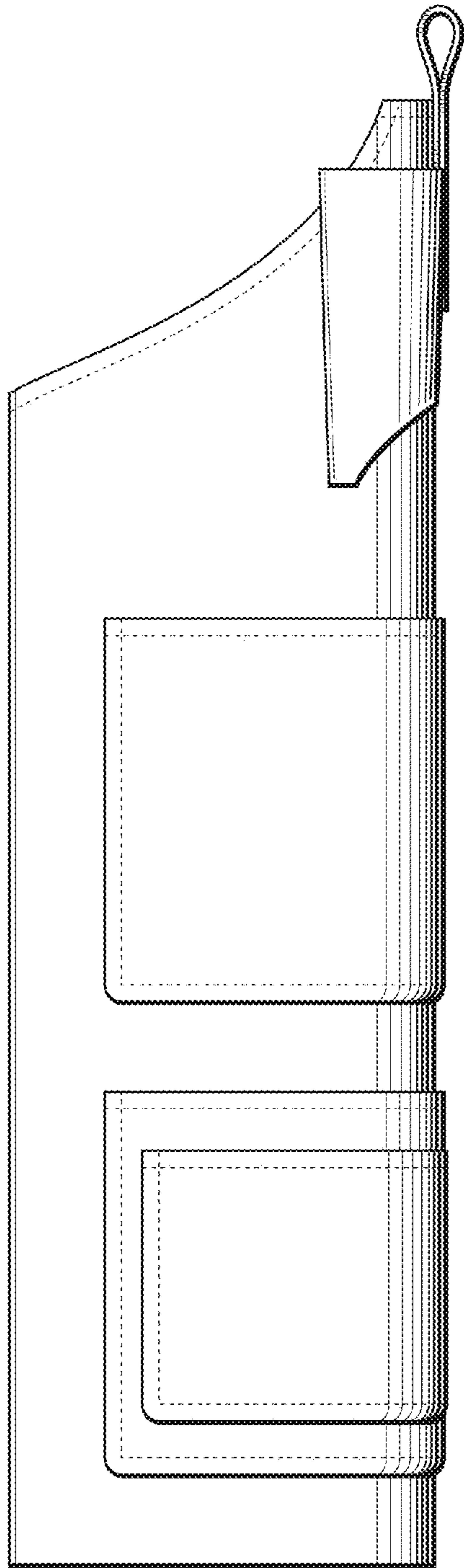


FIG. 4

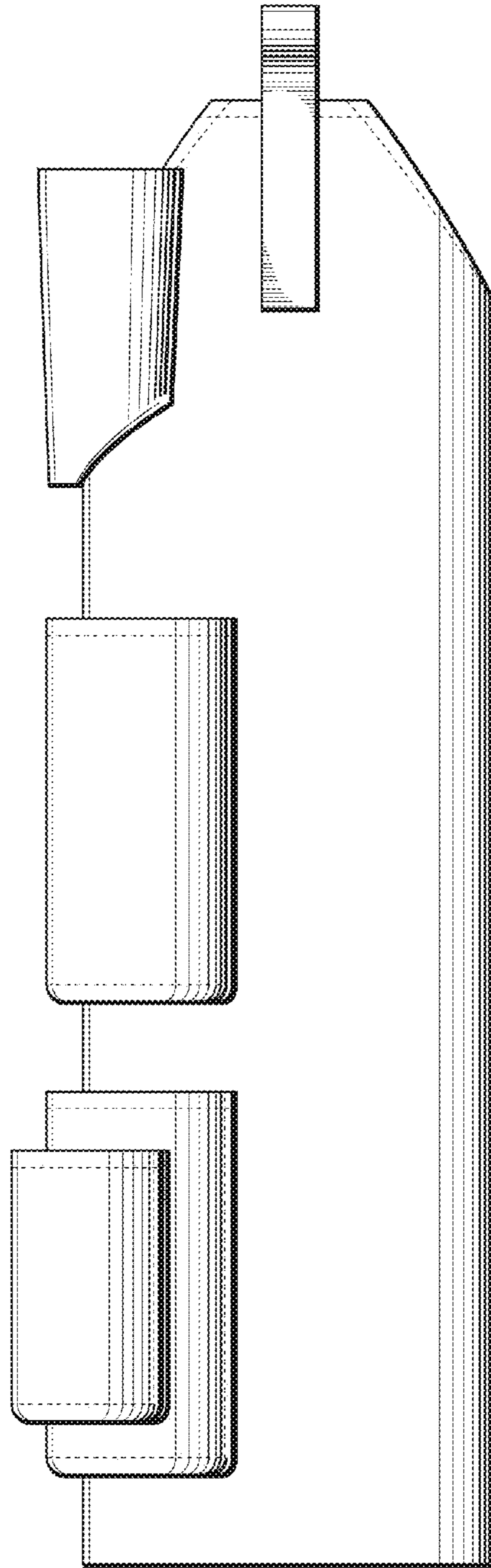


FIG. 5

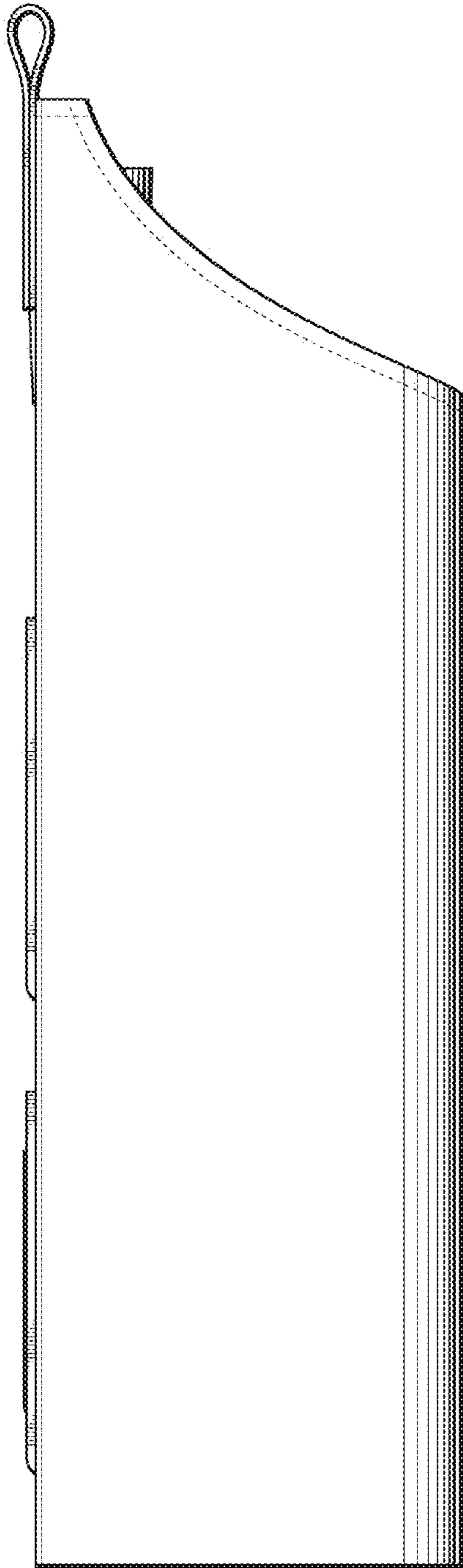


FIG. 6

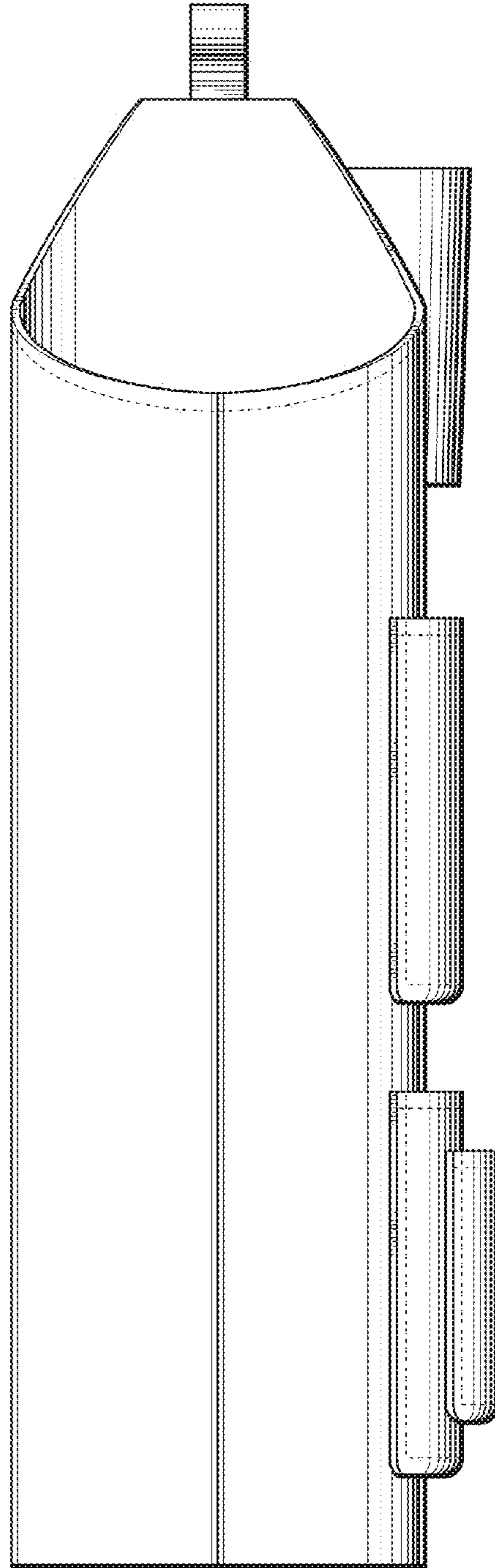


FIG. 7