



US00D722763S

(12) **United States Design Patent**
Dandachli

(10) **Patent No.:** **US D722,763 S**
(45) **Date of Patent:** **** Feb. 24, 2015**

(54) **KEYCHAIN DEVICE**

D574,607 S * 8/2008 Kelleghan D3/207
D633,634 S * 3/2011 van der Lande D26/47

(71) Applicant: **Youssef Dandachli**, Austin, TX (US)

* cited by examiner

(72) Inventor: **Youssef Dandachli**, Austin, TX (US)

Primary Examiner — Ralf Seifert

(73) Assignee: **Boost Keychains**, Austin, TX (US)

(74) *Attorney, Agent, or Firm* — Pierson IP, PLLC; Gene Pierson

(**) Term: **14 Years**

(21) Appl. No.: **29/491,153**

(57) **CLAIM**

The ornamental design for a keychain device, as shown and described.

(22) Filed: **May 17, 2014**

(51) **LOC (10) Cl.** **03-01**

(52) **U.S. Cl.**

USPC **D3/211**; D14/435.1

(58) **Field of Classification Search**

CPC H04R 5/033; H04R 1/1058; H04R 1/1033

USPC D11/1-2, 14, 26-29, 89-92, 44, 48, 81,

D11/99; 63/26-28, 32; D3/207-212; D8/16,

D8/38, 347, 348; 70/456 B, 457, 458;

206/37.1; D14/434, 435, 435.1, 436,

D14/439, 480.3, 480.1, 480.5, 480.7;

D24/174, 173, 480.3

See application file for complete search history.

DESCRIPTION

FIG. 1 is a perspective view of a keychain device showing our new design thereof;

FIG. 2 is a front view of the keychain device shown in FIG. 1;

FIG. 3 is a rear view of the keychain device shown in FIG. 1;

FIG. 4 is a first side view of the keychain device shown in FIG. 1;

FIG. 5 is a second side view of the keychain device shown in FIG. 1;

FIG. 6 is a top view of the keychain device shown in FIG. 1;

FIG. 7 is a bottom view of the keychain device shown in FIG. 1; and,

FIG. 8 is a side view of the keychain device shown in FIG. 1.

Elements shown in broken lines show environmental structures of the keychain device and form no part of our design.

(56) **References Cited**

U.S. PATENT DOCUMENTS

D485,058 S * 1/2004 Shiu D3/209

D543,692 S * 6/2007 Lee D3/211

1 Claim, 8 Drawing Sheets

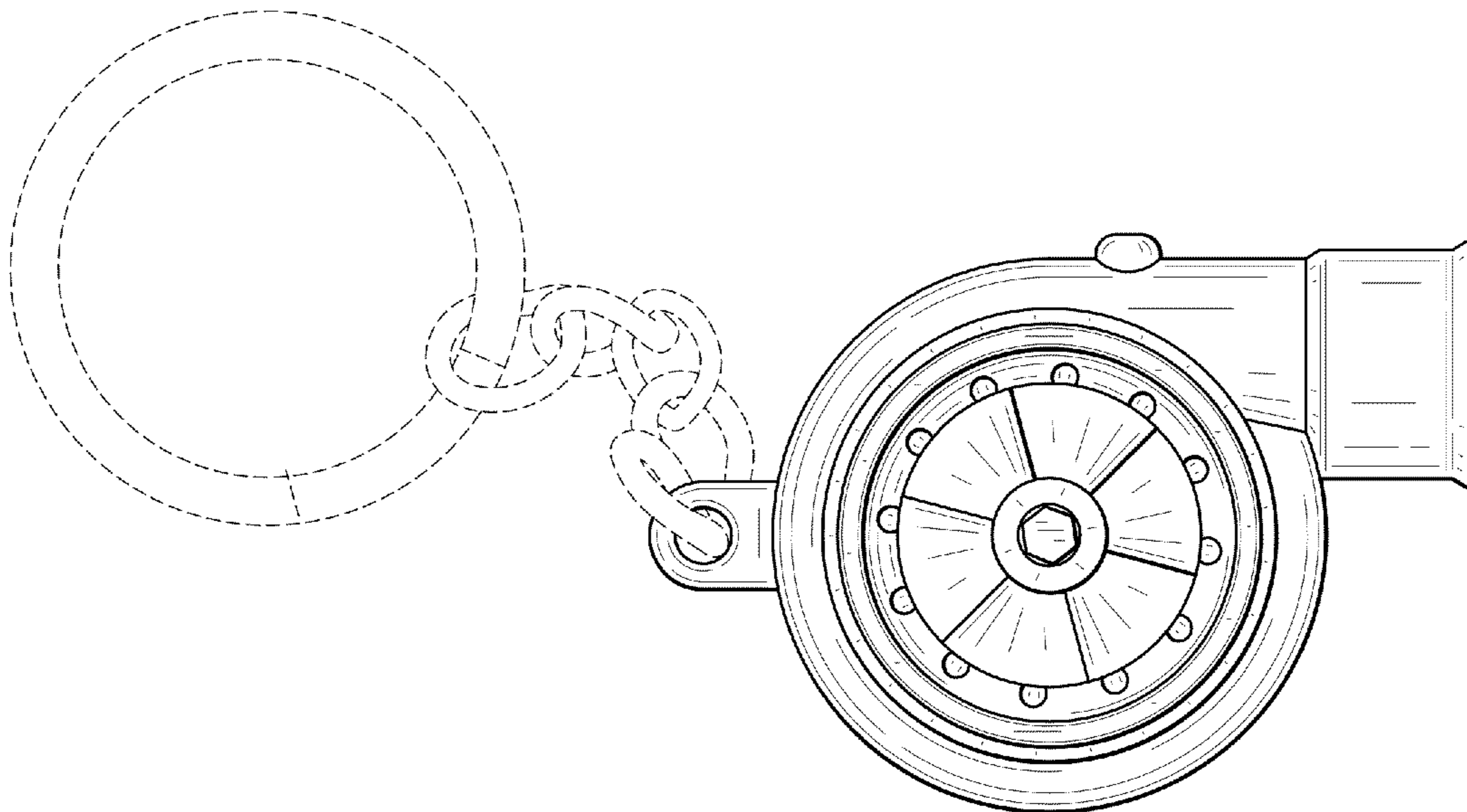


FIG. 1

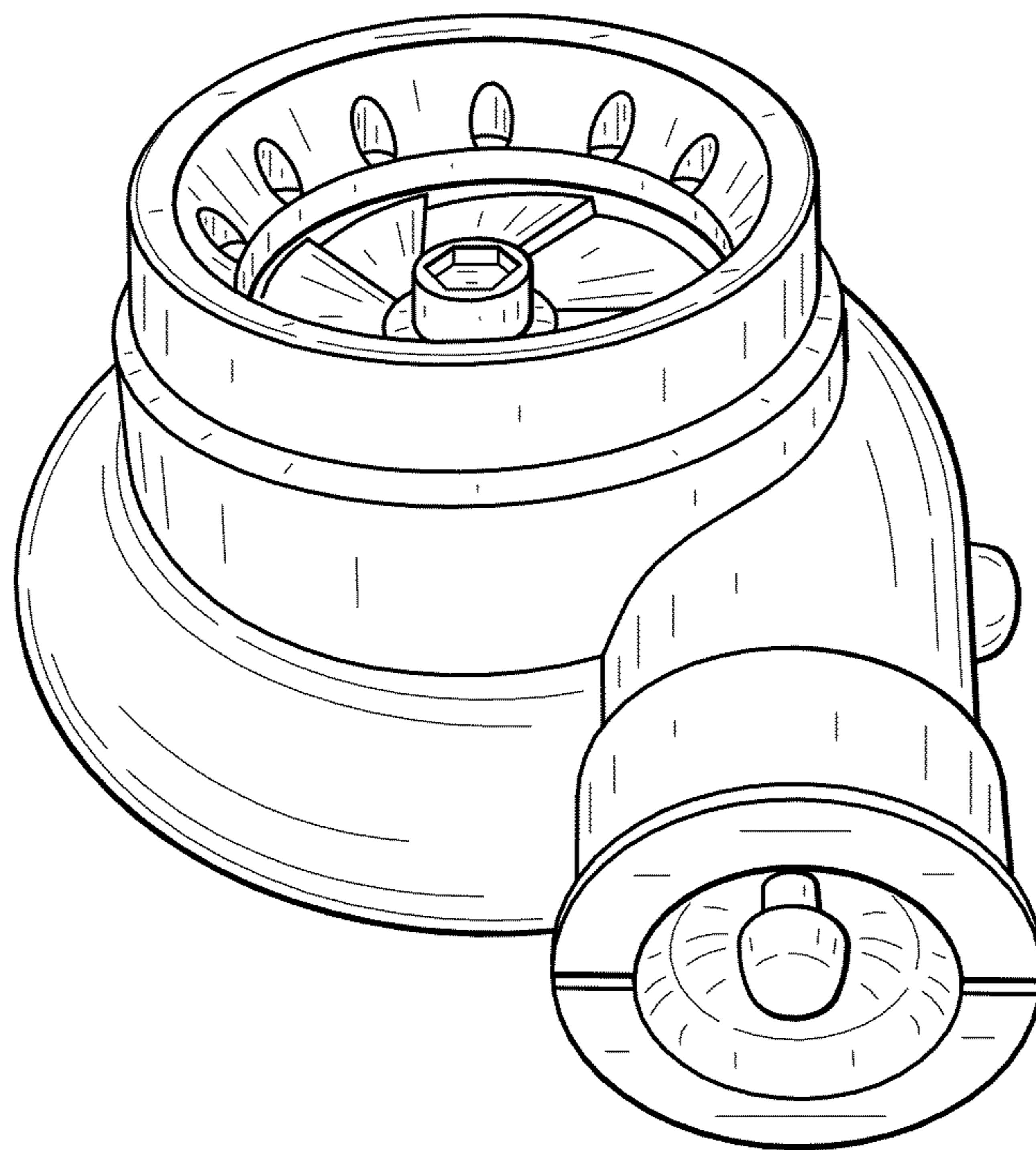


FIG. 2

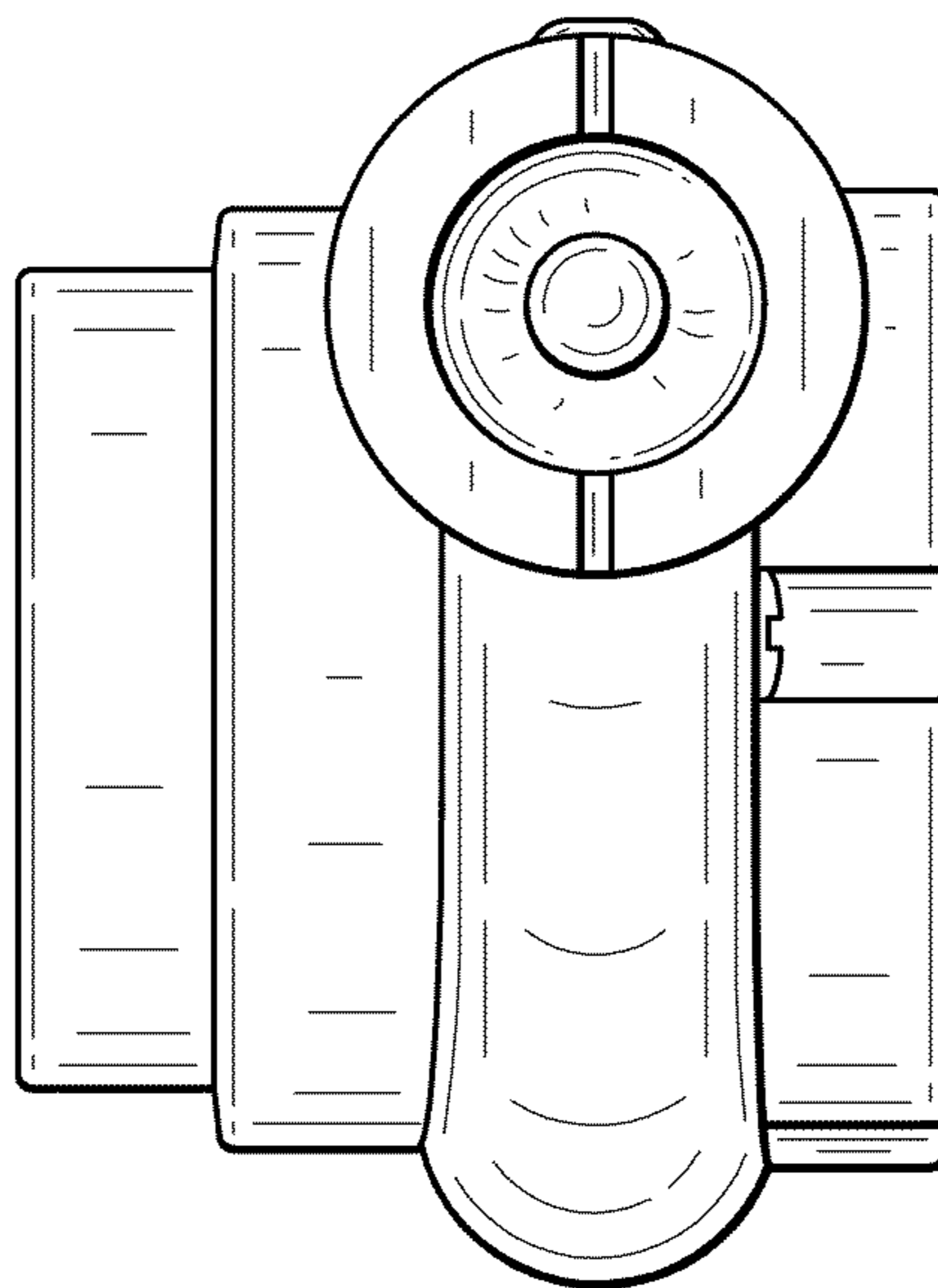


FIG. 3

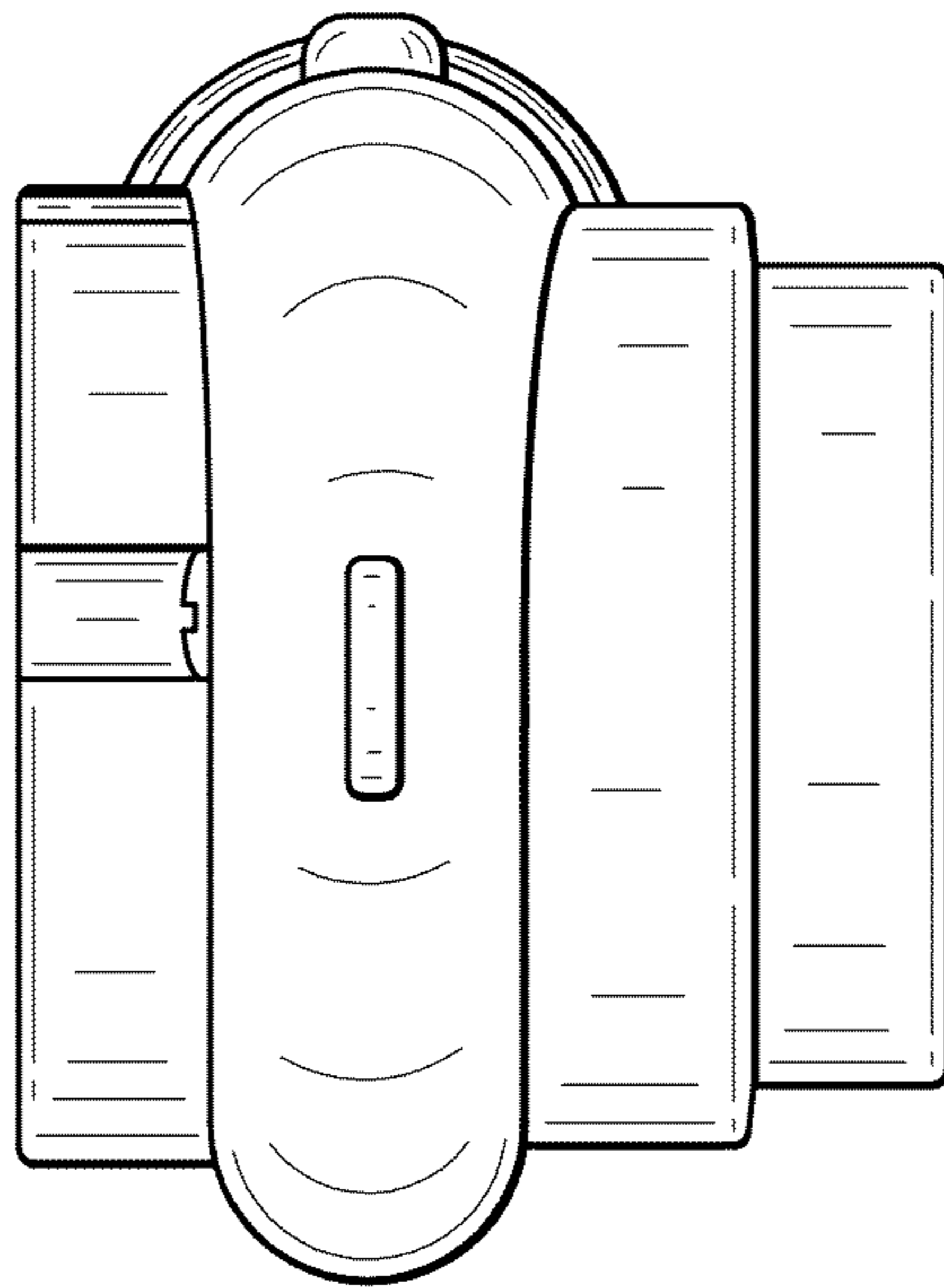


FIG. 4

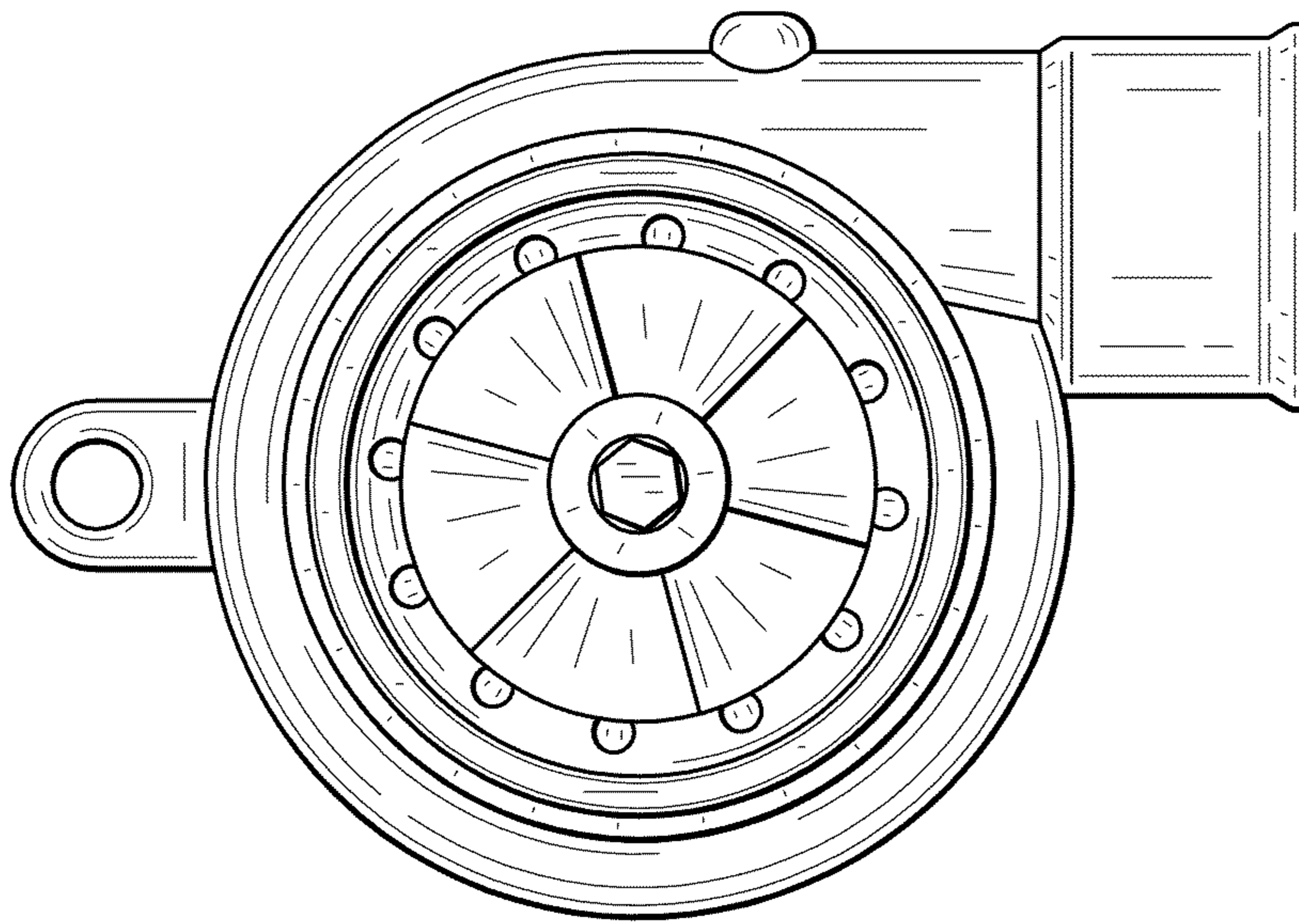


FIG. 5

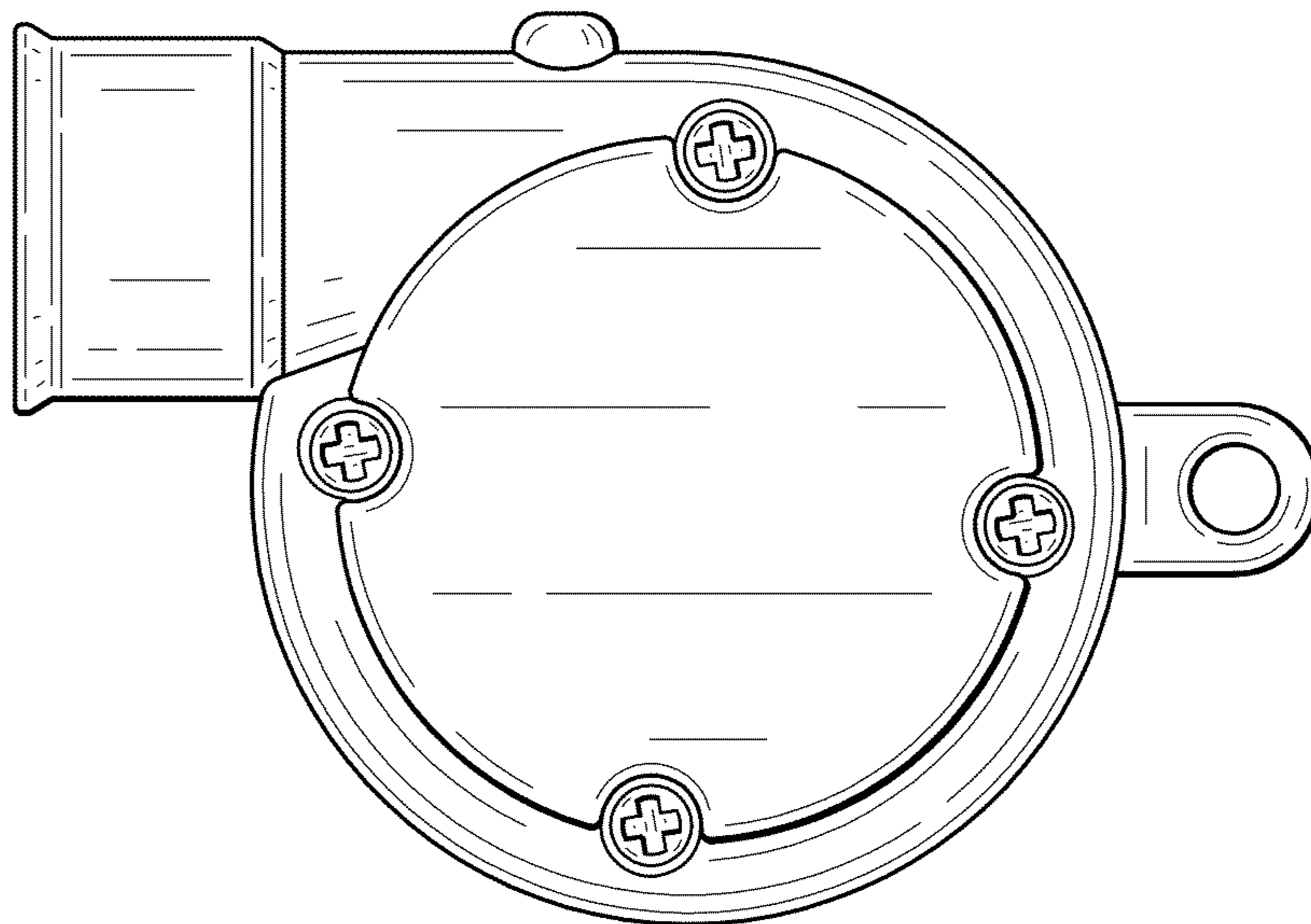


FIG. 6

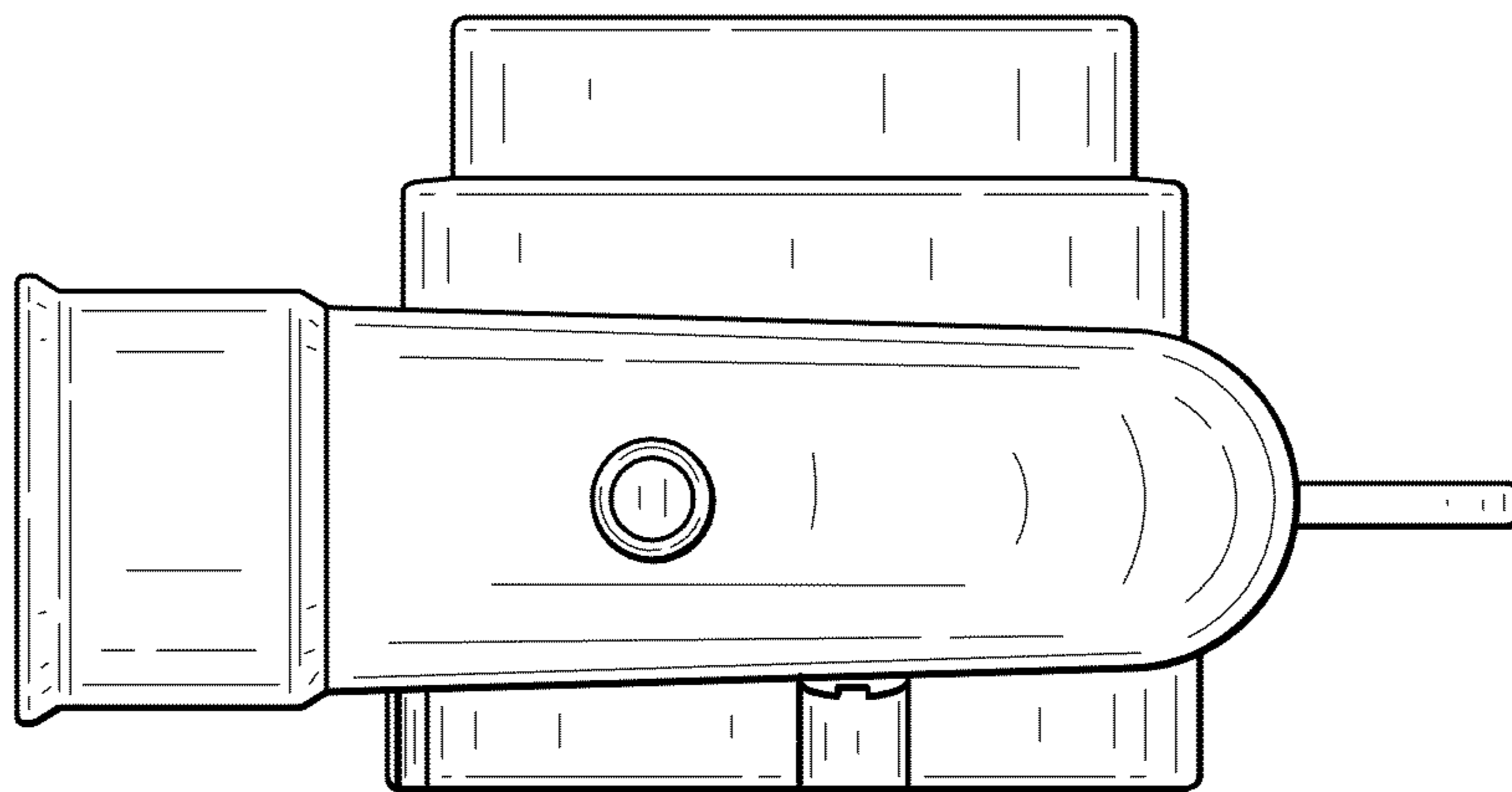


FIG. 7

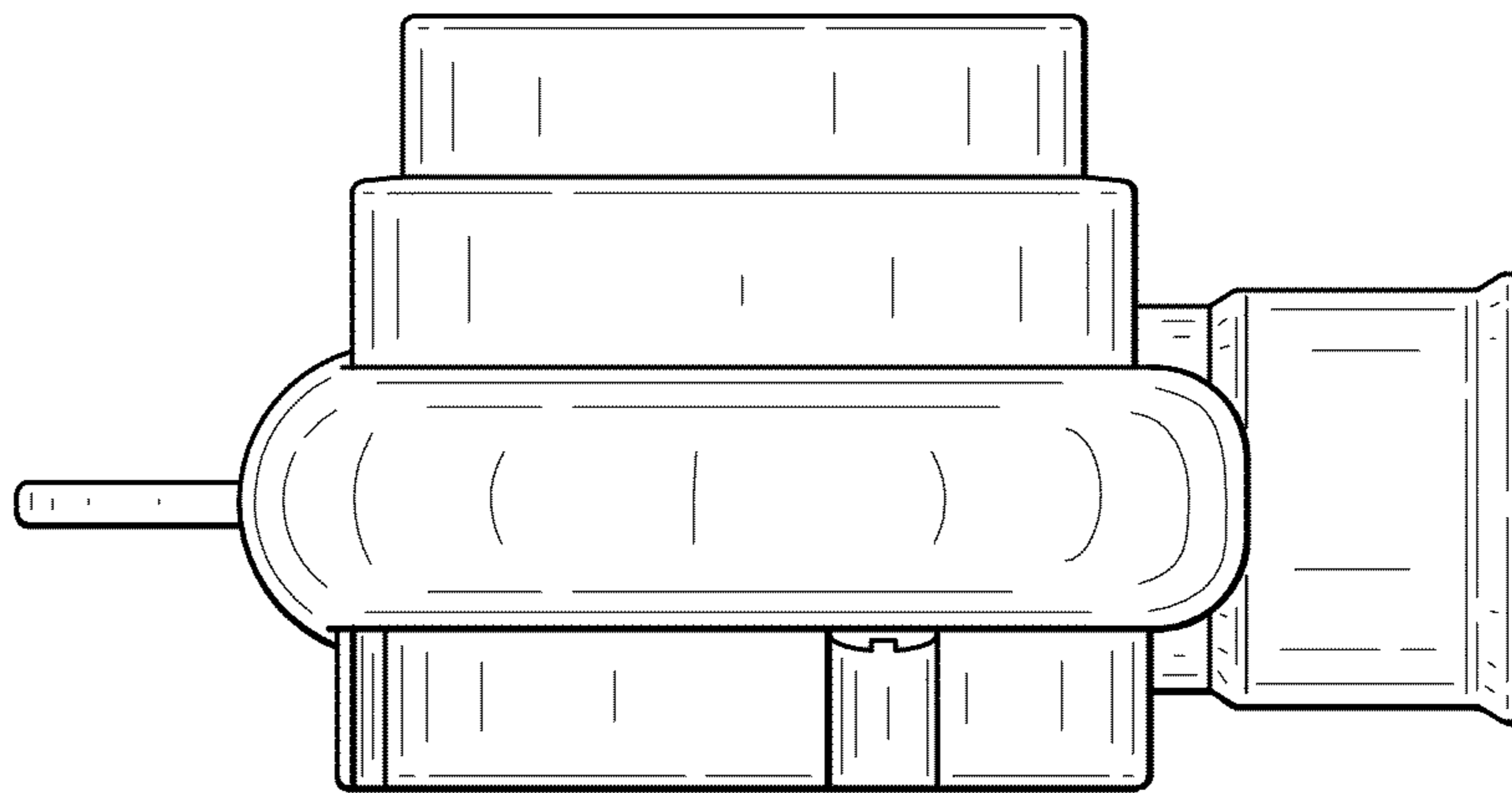


FIG. 8

