



US00D722762S

(12) **United States Design Patent**
Kroeker

(10) **Patent No.:** **US D722,762 S**

(45) **Date of Patent:** **** Feb. 24, 2015**

(54) **WALKING CANE HANDLE**

(71) Applicant: **Top & Derby Limited**, Winnipeg (CA)

(72) Inventor: **Matthew Kroeker**, Winnipeg (CA)

(73) Assignee: **Top & Derby Limited**, Winnipeg,
Manitoba (CA)

(**) Term: **14 Years**

(21) Appl. No.: **29/487,370**

(22) Filed: **Apr. 8, 2014**

(51) **LOC (10) Cl.** **03-03**

(52) **U.S. Cl.**

USPC **D3/12**

(58) **Field of Classification Search**

USPC D3/3-17; D12/130, 133; 135/65-73,
135/76-85

See application file for complete search history.

(56) **References Cited**

U.S. PATENT DOCUMENTS

D19,942 S *	6/1890	Schmidt	D3/12
D19,947 S *	6/1890	Schmidt	D3/14
D22,310 S *	3/1893	Stein	D3/14
730,577 A *	6/1903	Sievert	135/76
D48,633 S *	2/1916	Glowacki	D3/13
D151,746 S *	11/1948	Ethington	D3/7
D187,842 S *	5/1960	Jeys	D3/16
6,273,112 B1 *	8/2001	Sumida	135/75
D555,350 S *	11/2007	Graves et al.	D3/7
D555,892 S *	11/2007	Carroll	D3/7
8,695,617 B2 *	4/2014	Diamond	135/72

* cited by examiner

Primary Examiner — John Windmuller

(74) *Attorney, Agent, or Firm* — Kyle R. Satterthwaite; Ryan W. Dupuis; Ade & Company Inc.

(57) **CLAIM**

The ornamental design for a walking cane handle, as shown and described.

DESCRIPTION

FIG. 1 is a side elevational view of a walking cane handle showing our new design, the opposing side elevational view being a mirror image thereof;

FIG. 2 is a top plan view of the walking cane handle of FIG. 1;

FIG. 3 is a bottom plan view of the walking cane handle of FIG. 1;

FIG. 4 is a front end view of the walking cane handle of FIG. 1;

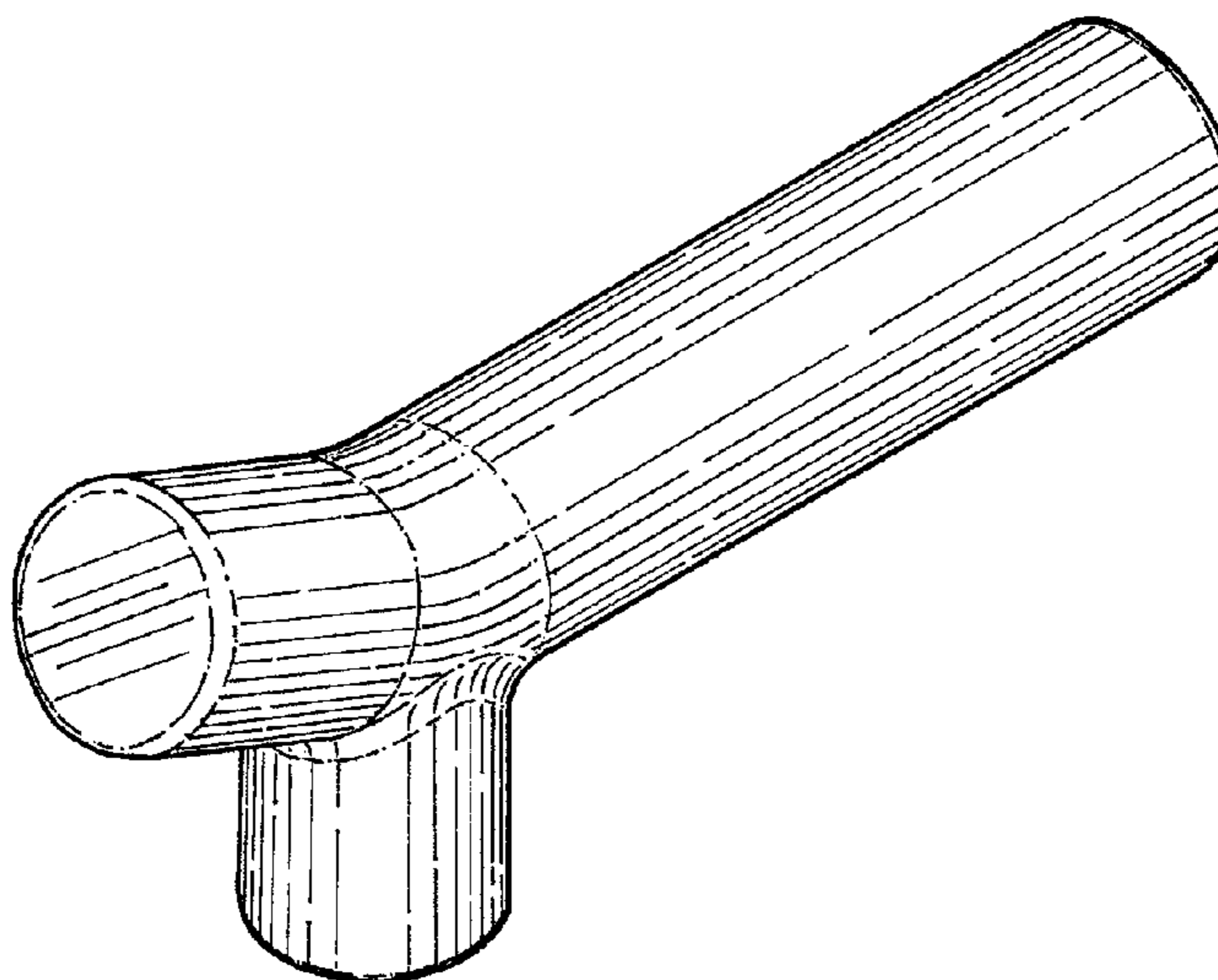
FIG. 5 is a rear end view of the walking cane handle of FIG. 1;

FIG. 6 is a perspective view of the walking cane handle of FIG. 1; and,

FIG. 7 is a perspective view of the walking cane handle of FIG. 1 in use.

The broken lines shown in the drawings are for illustrative purposes only, particularly to show environment and unclaimed portions of the article, and therefore form no part of the claimed design.

1 Claim, 2 Drawing Sheets



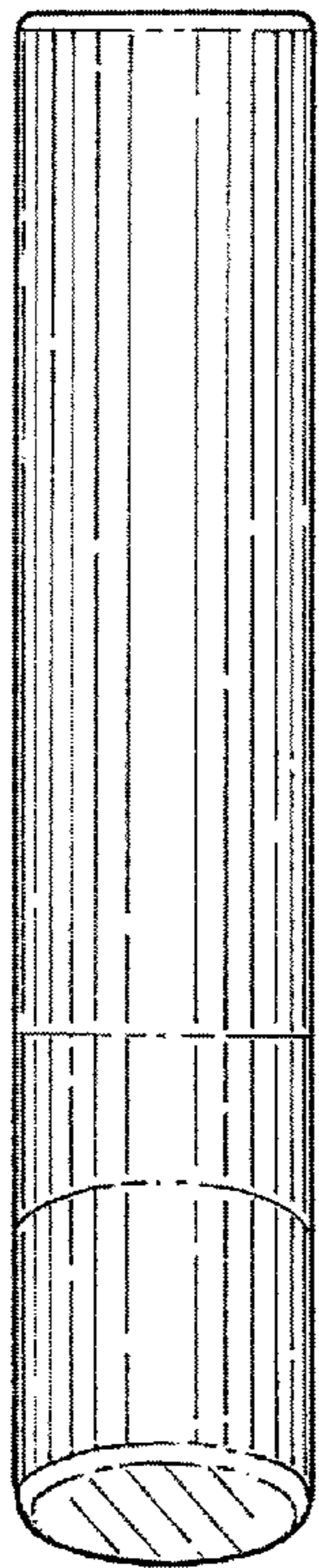


FIG. 2

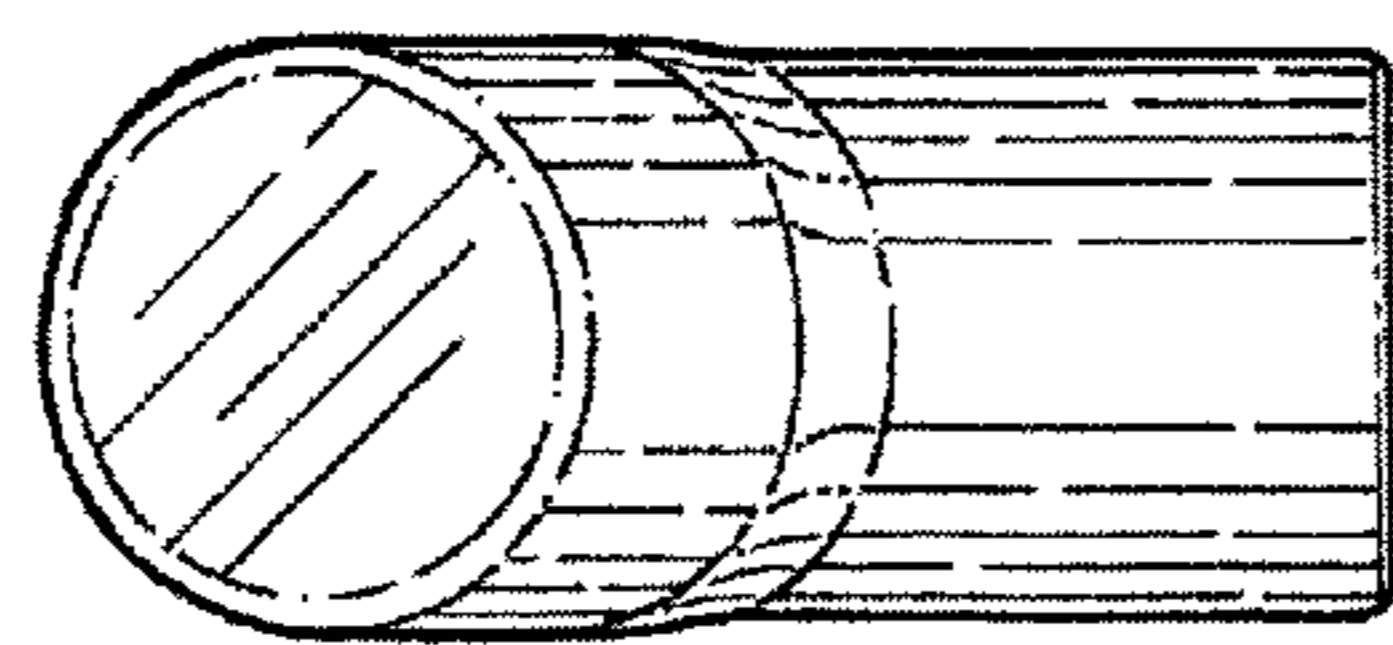


FIG. 4

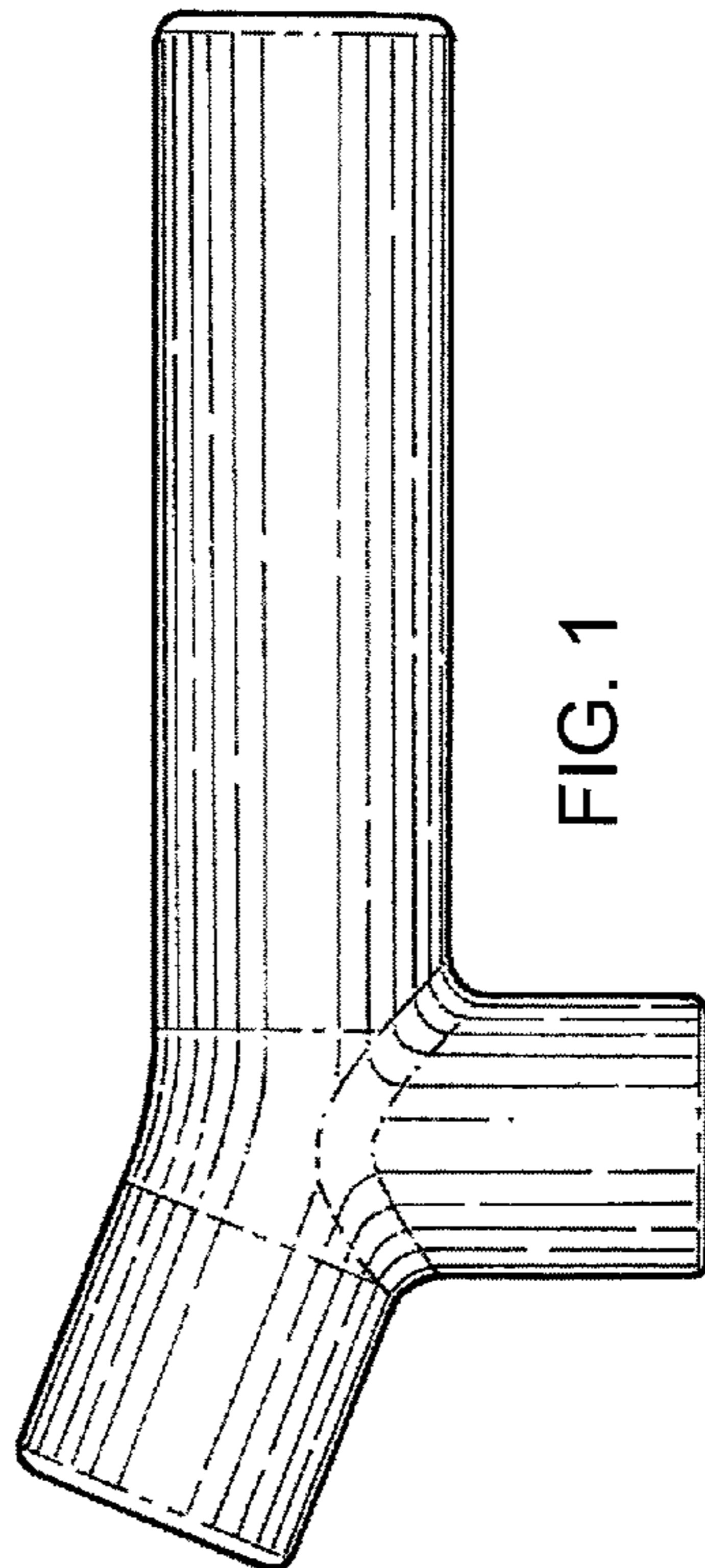


FIG. 1

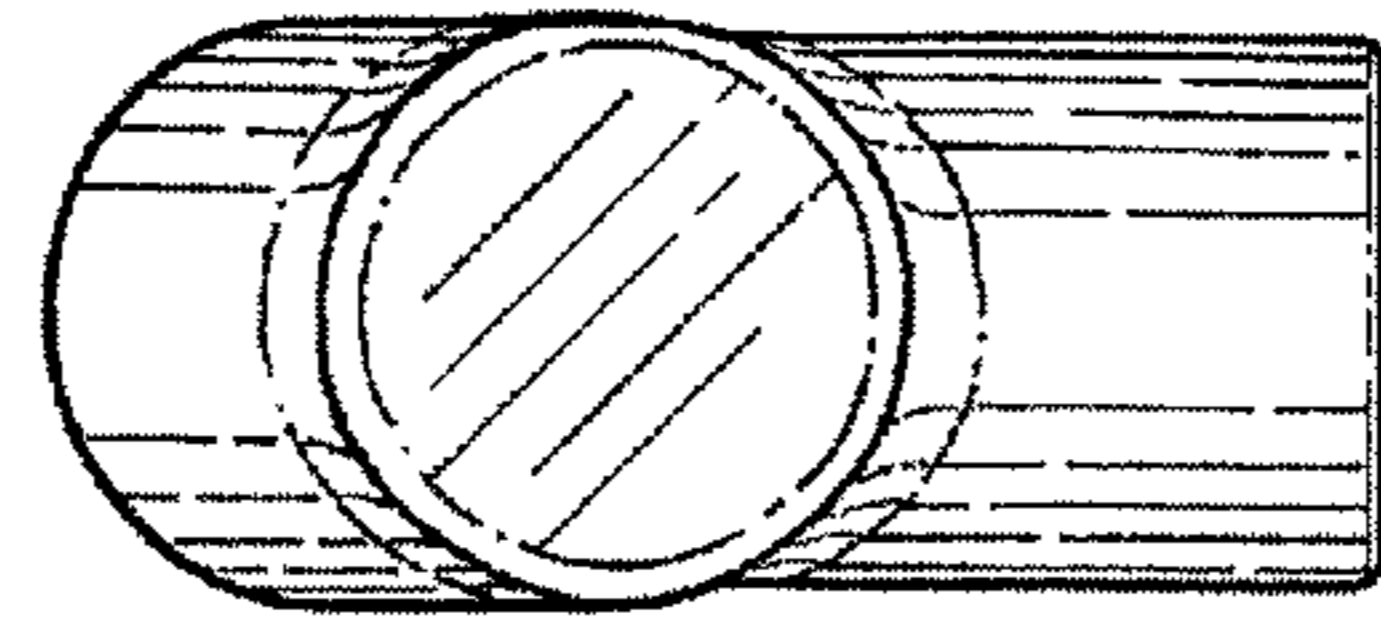


FIG. 5

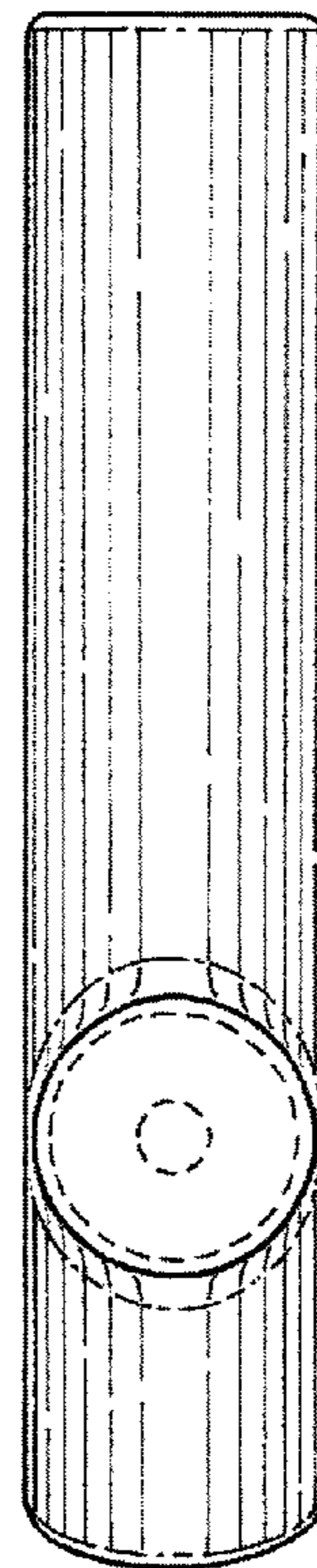


FIG. 3

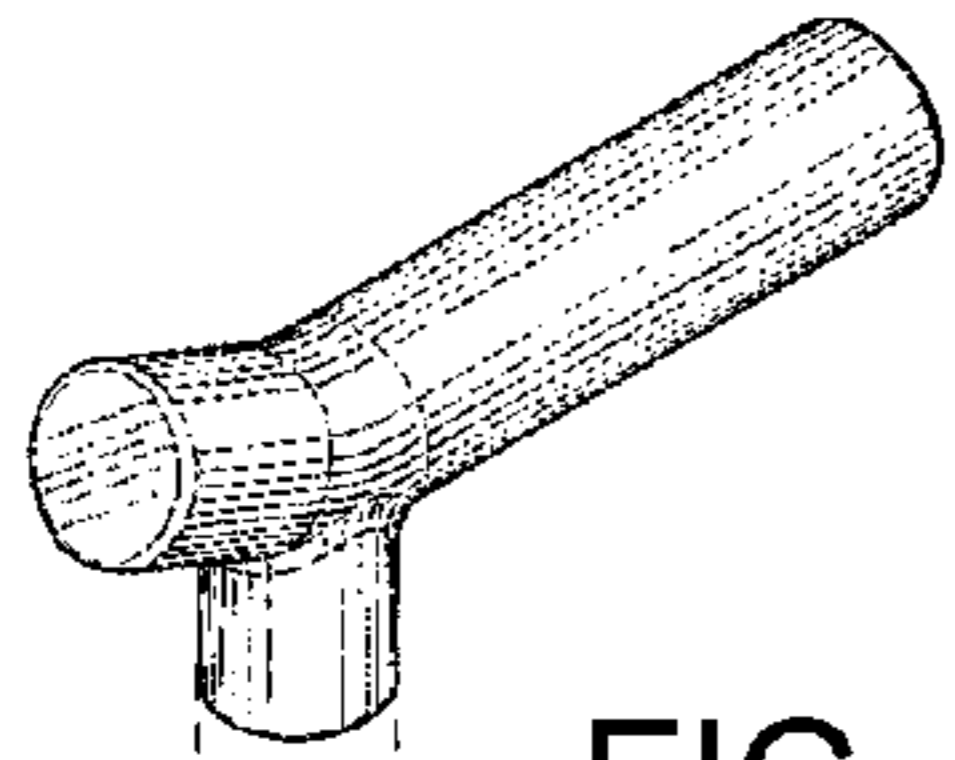


FIG. 7

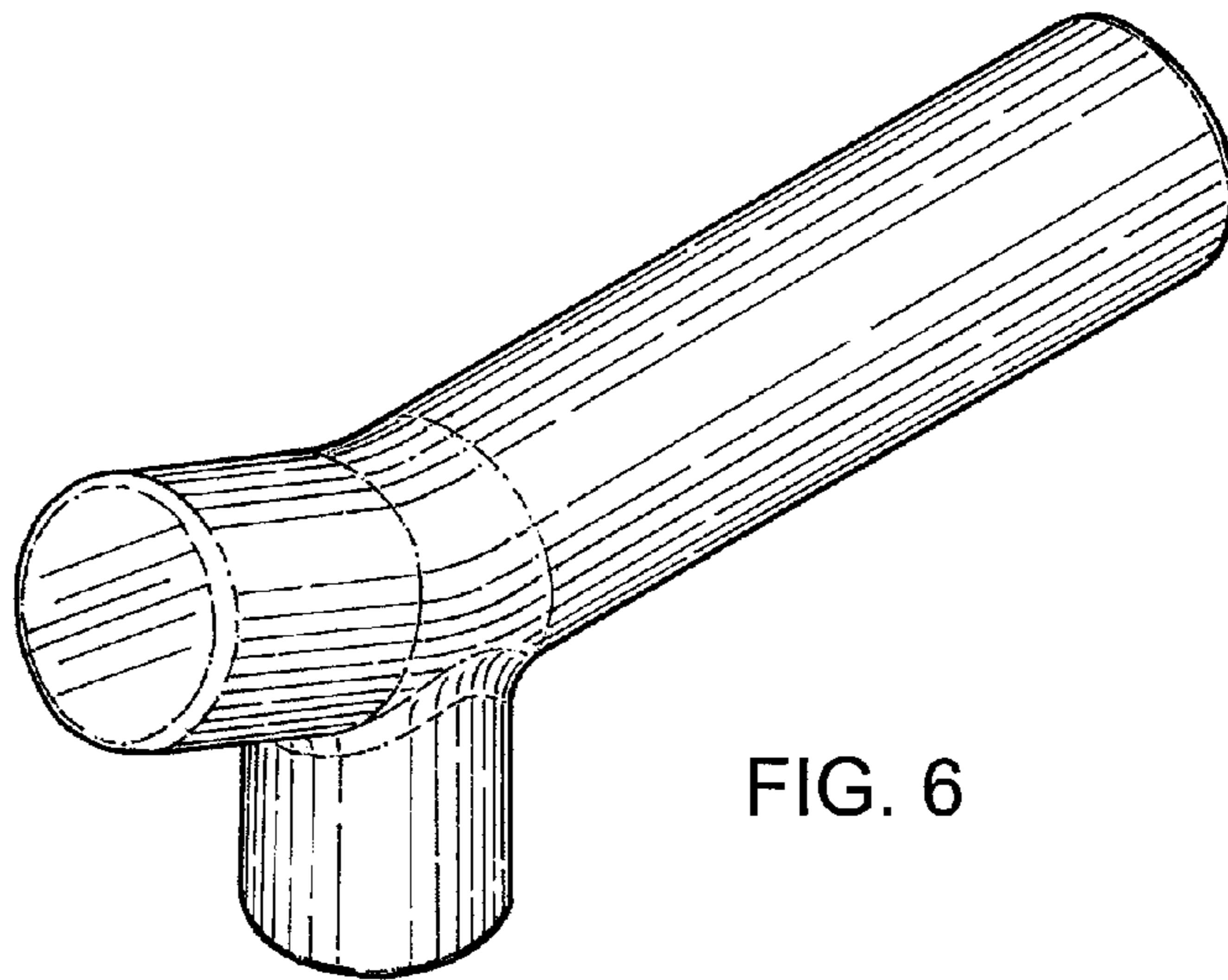


FIG. 6

