



US00D722738S

(12) **United States Design Patent**
Friesen et al.

(10) **Patent No.:** **US D722,738 S**

(45) **Date of Patent:** **** Feb. 17, 2015**

(54) **PORTABLE DUAL TUBE GRAIN AUGER**

(75) Inventors: **Byron J. Friesen**, Storm Lake, IA (US);
Garry D. Friesen, Storm Lake, IA (US);
Jeff A. Sivinski, Cherokee, IA (US)

(73) Assignee: **Harvest International, Inc.**, Storm Lake, IA (US)

(**) Term: **14 Years**

(21) Appl. No.: **29/430,564**

(22) Filed: **Aug. 28, 2012**

(51) **LOC (10) Cl.** **12-05**

(52) **U.S. Cl.**
USPC **D34/28**

(58) **Field of Classification Search**
USPC D34/28; 198/548, 558, 625, 657, 860;
414/502, 813; 460/114
See application file for complete search history.

(56) **References Cited**

U.S. PATENT DOCUMENTS

3,189,168	A *	6/1965	Coats et al.	198/667
4,142,621	A *	3/1979	Oliver	198/318
D259,036	S *	4/1981	Hansen	D34/28
4,440,539	A *	4/1984	Sullivan	414/300
D296,834	S *	7/1988	McDermott	D34/28
4,963,066	A *	10/1990	Boppart	414/376
5,051,874	A *	9/1991	Guss	362/89
D328,174	S *	7/1992	Watkins	D34/28
5,141,386	A *	8/1992	Barwise	414/729
5,328,015	A *	7/1994	Volk et al.	198/548
5,492,217	A *	2/1996	Stewart	198/667
5,788,055	A *	8/1998	Stewart et al.	198/671
7,040,980	B1	5/2006	Kestel	

7,198,449	B2	4/2007	Dillon	
8,381,900	B1 *	2/2013	Hoogestraat	198/588
8,662,285	B2 *	3/2014	Jesse	198/671
2002/0043448	A1 *	4/2002	Peltier et al.	198/618
2008/0116039	A1 *	5/2008	Ainsworth	198/657

* cited by examiner

Primary Examiner — Cynthia Ramirez

(74) *Attorney, Agent, or Firm* — McKee, Voorhees & Sease

(57) **CLAIM**

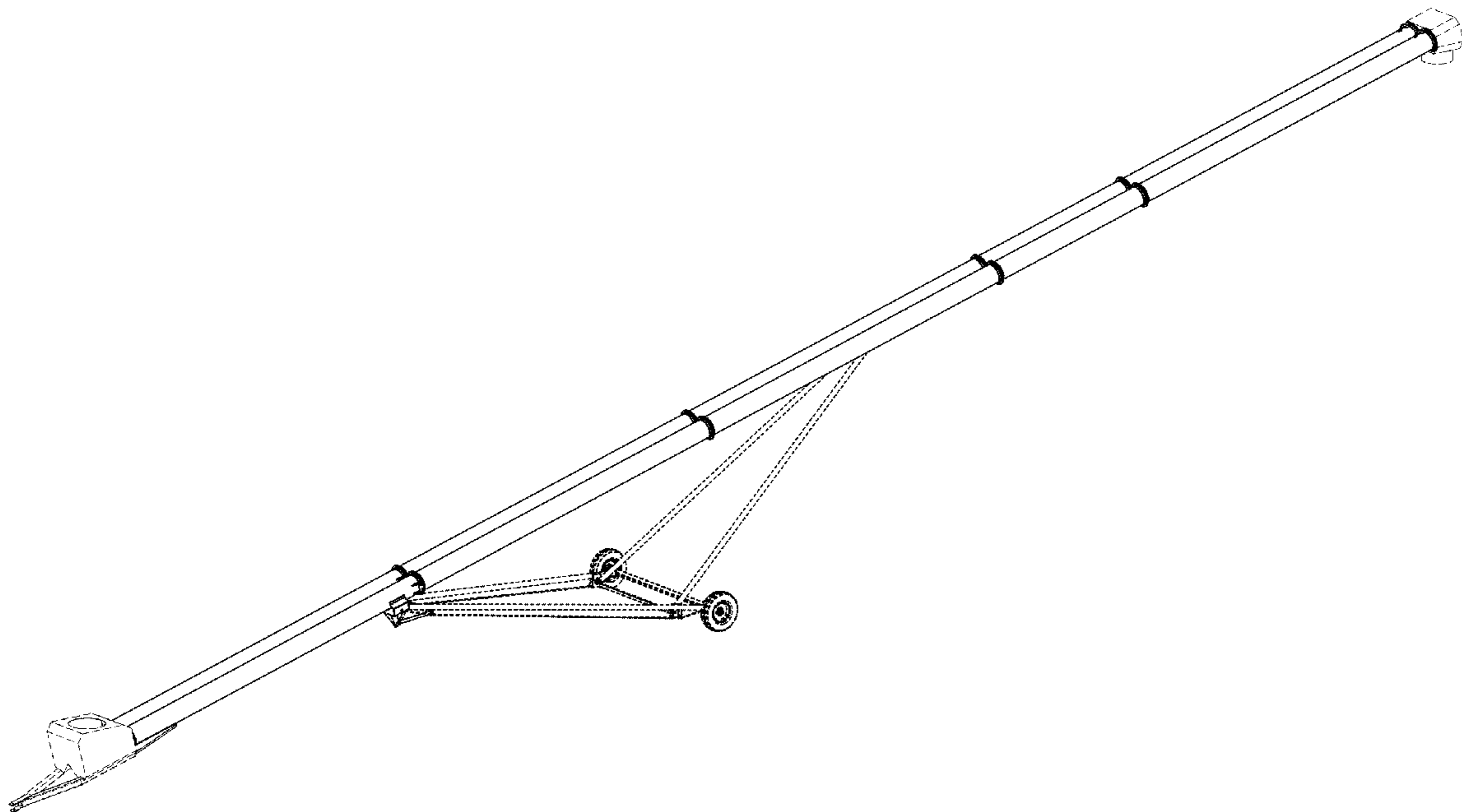
The ornamental design for a portable dual tube grain auger, as shown and described.

DESCRIPTION

FIG. 1 is a perspective view of a portable dual tube grain auger according to the present design;
 FIG. 2 is an elevational side view thereof;
 FIG. 3 is the other side elevational view thereof;
 FIG. 4 is an end view thereof;
 FIG. 5 is the other end view thereof;
 FIG. 6 is a top view thereof;
 FIG. 7 is a bottom view thereof;
 FIG. 8 is a perspective view of a second embodiment of a portable dual tube grain auger according to the present design;
 FIG. 9 is an elevational side view thereof;
 FIG. 10 is the other side elevational view thereof;
 FIG. 11 is an end view thereof;
 FIG. 12 is the other end view thereof;
 FIG. 13 is a top view thereof; and,
 FIG. 14 is a bottom view thereof.

The broken lines in the figures are included for the purpose of illustrating portions of the portable dual tube grain auger and form no part of the claimed design.

1 Claim, 14 Drawing Sheets



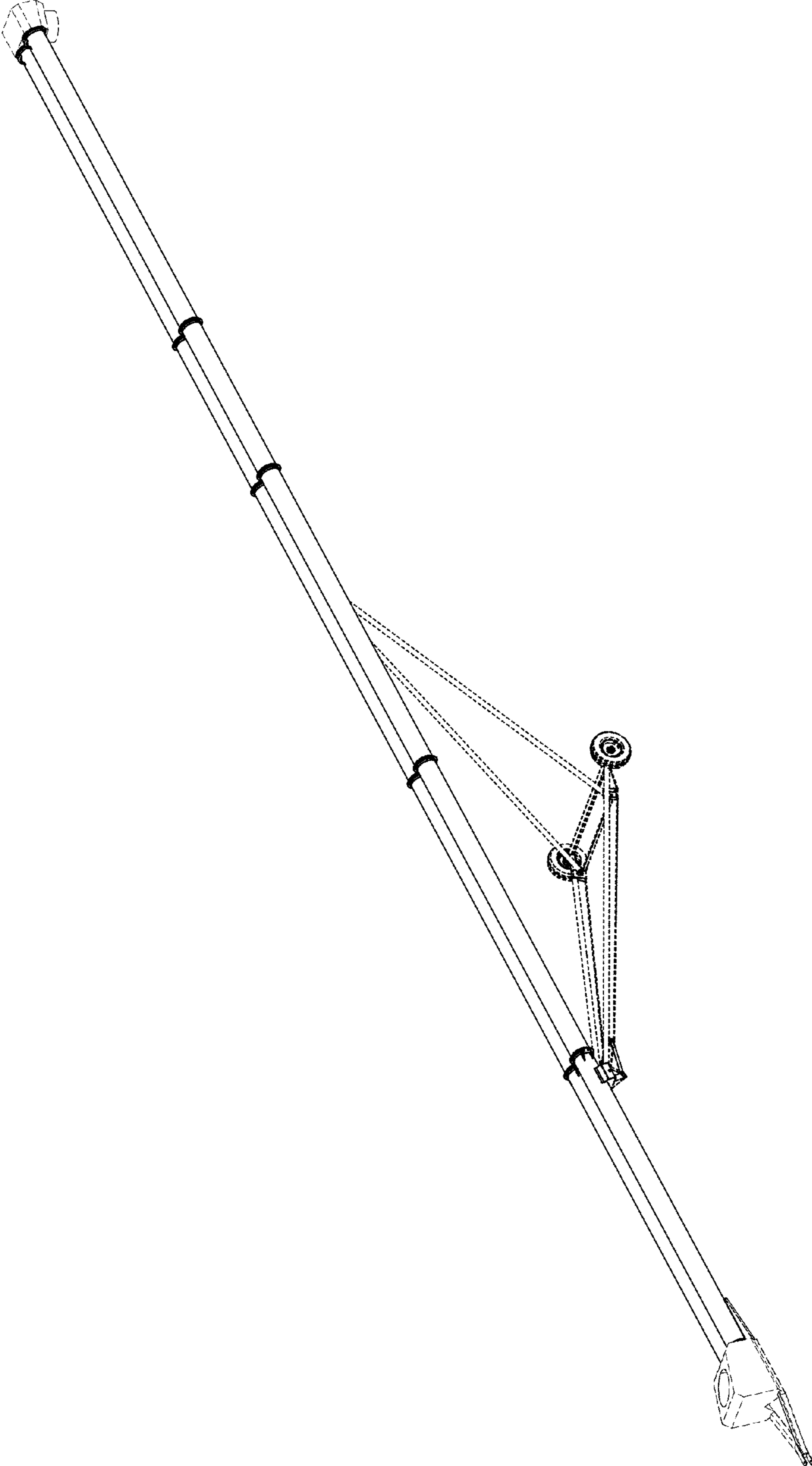


Fig. 1

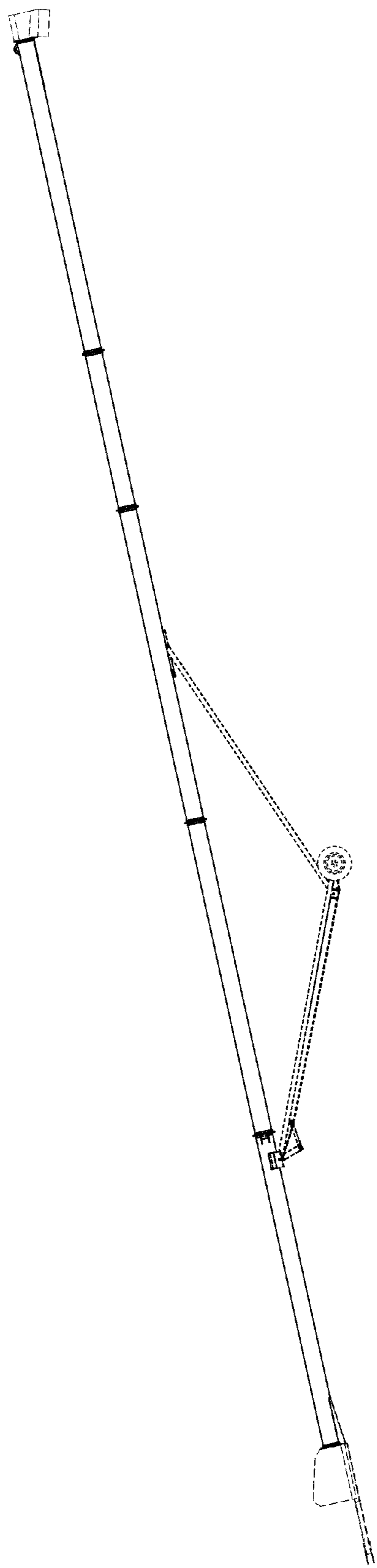


Fig. 2

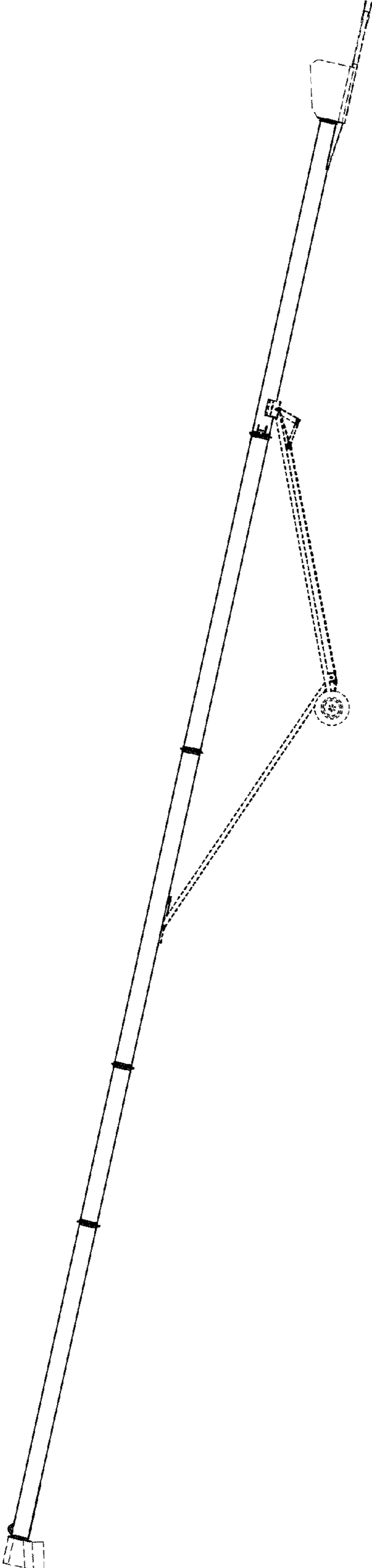


Fig. 3

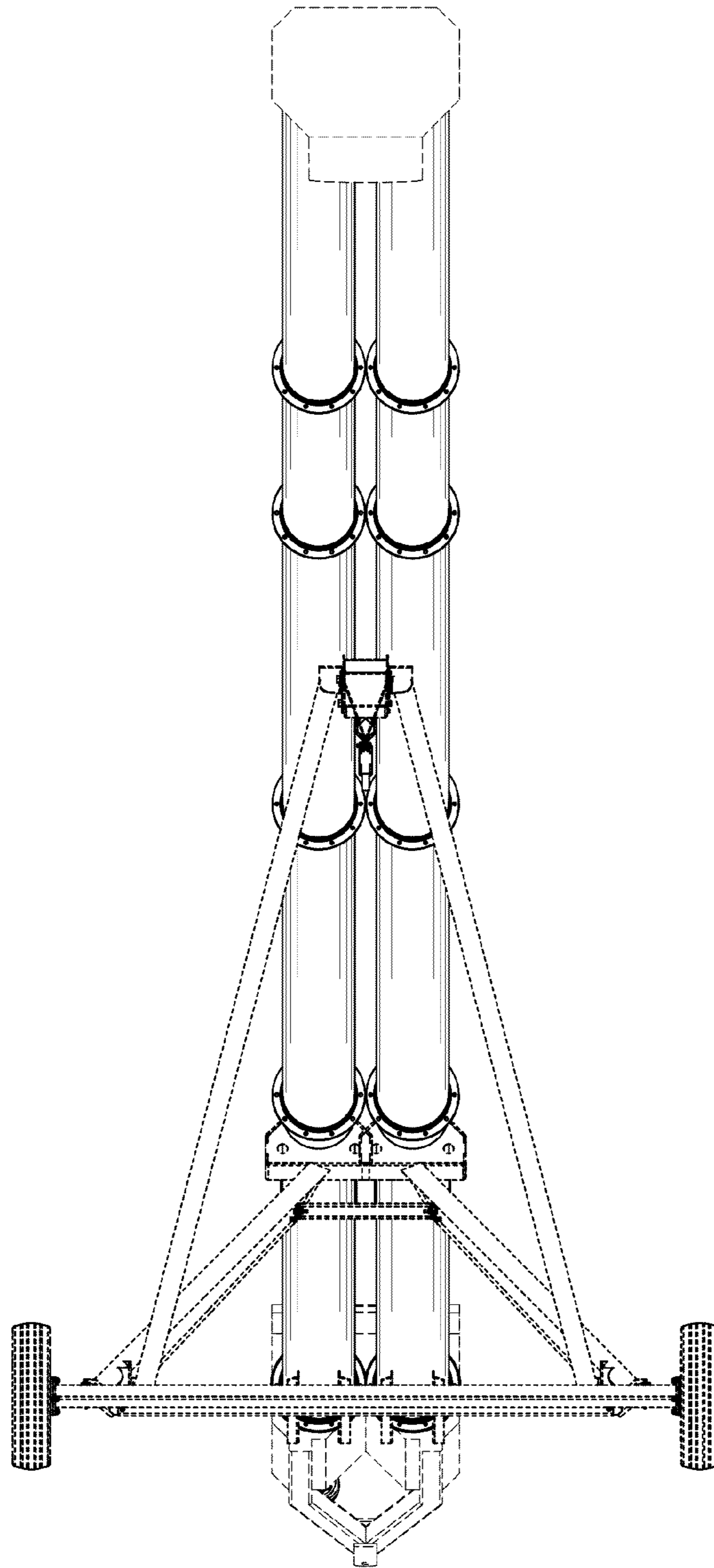


Fig. 4

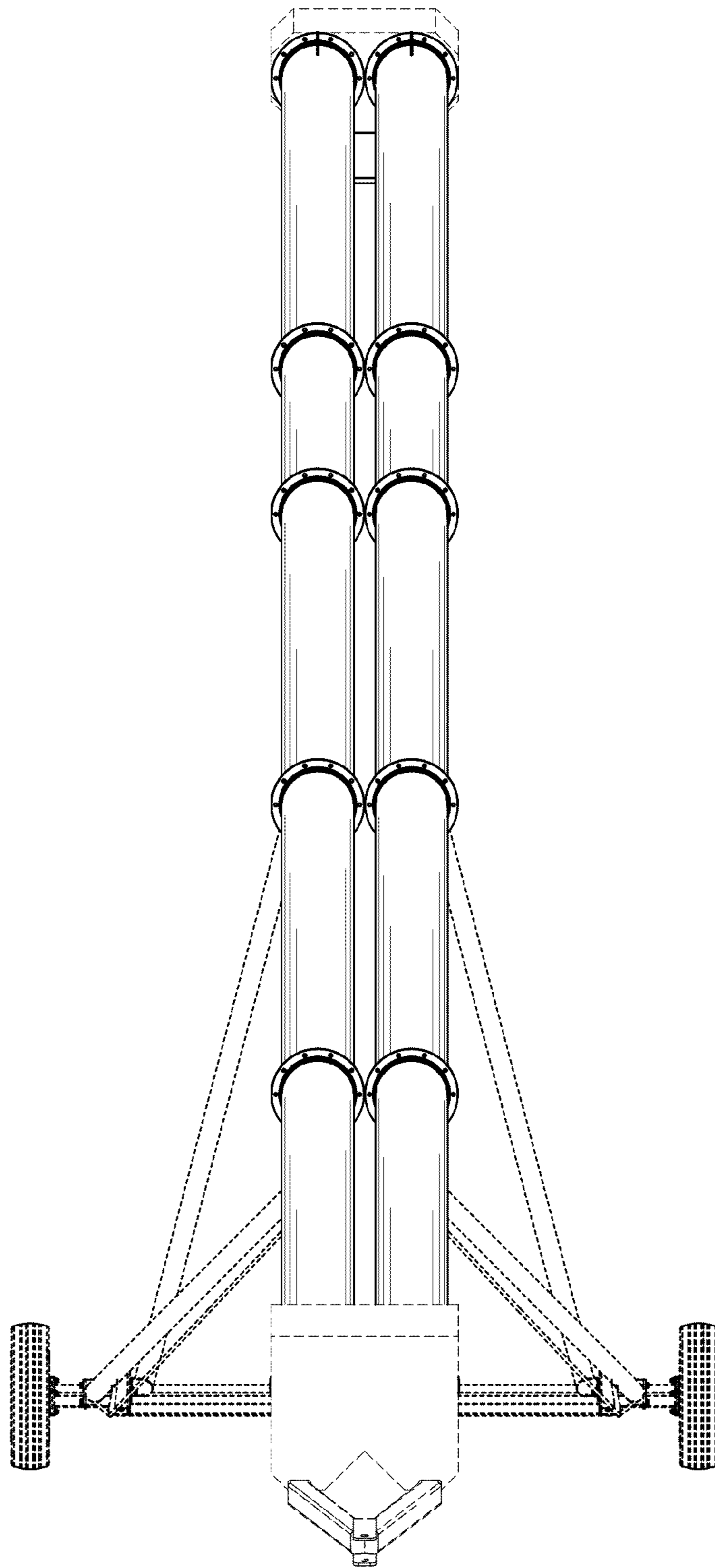


Fig. 5

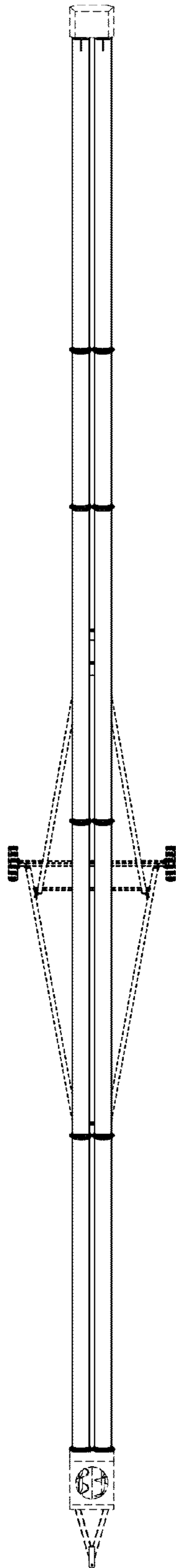


Fig. 6

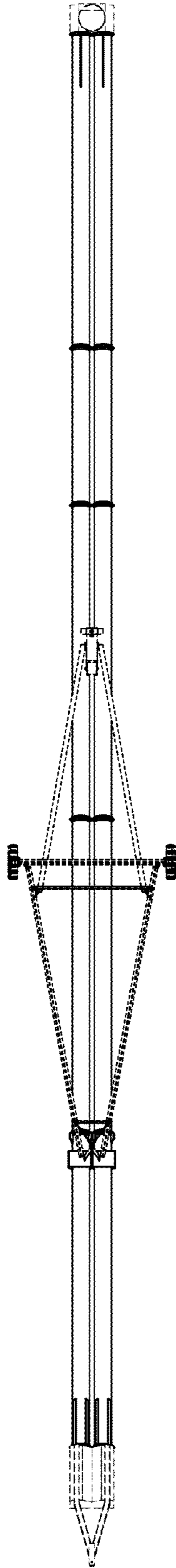


Fig. 7

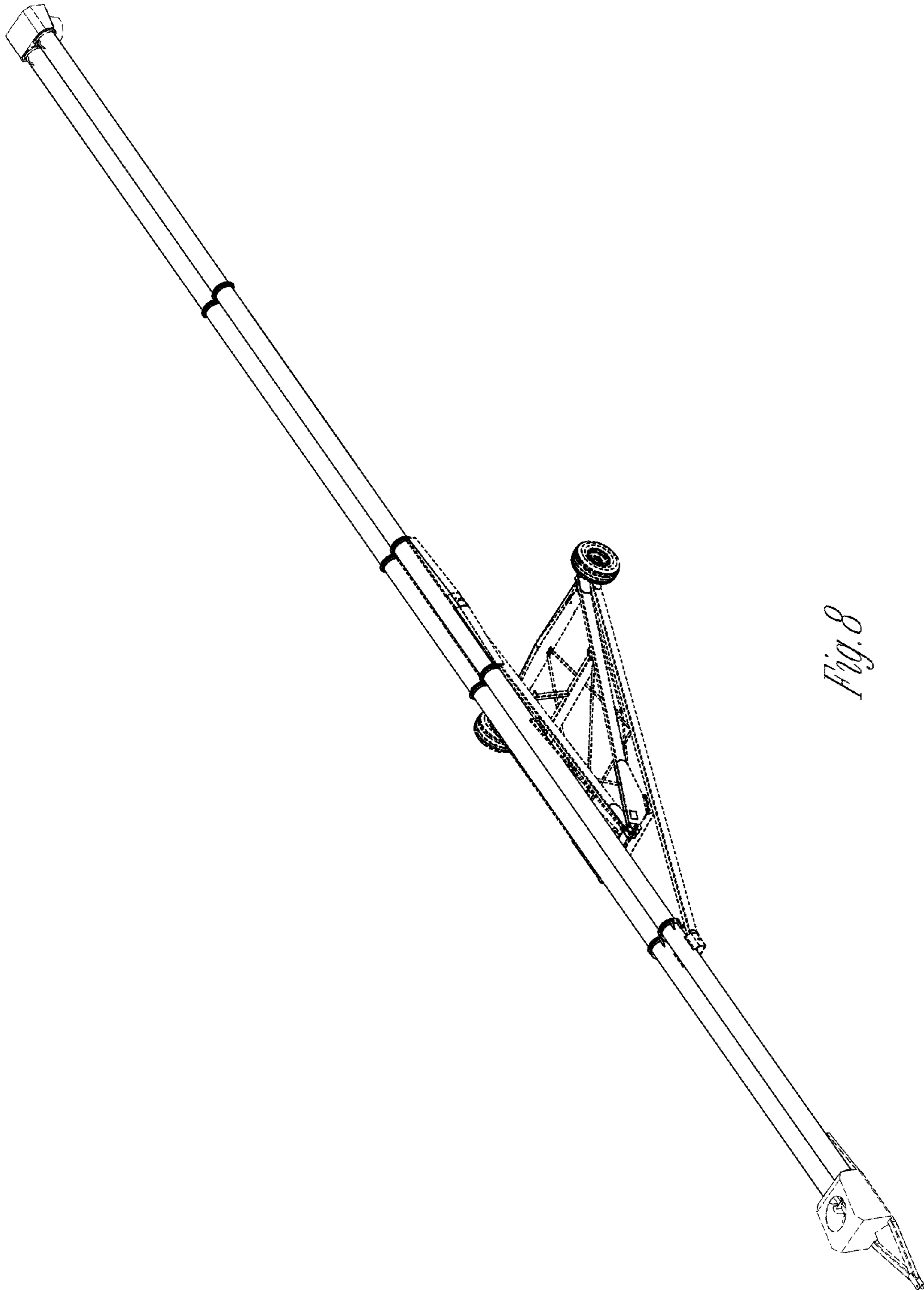


Fig. 8

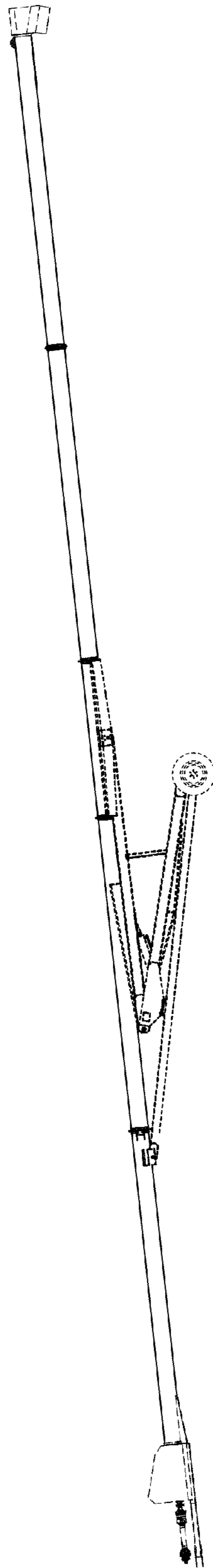


Fig. 9

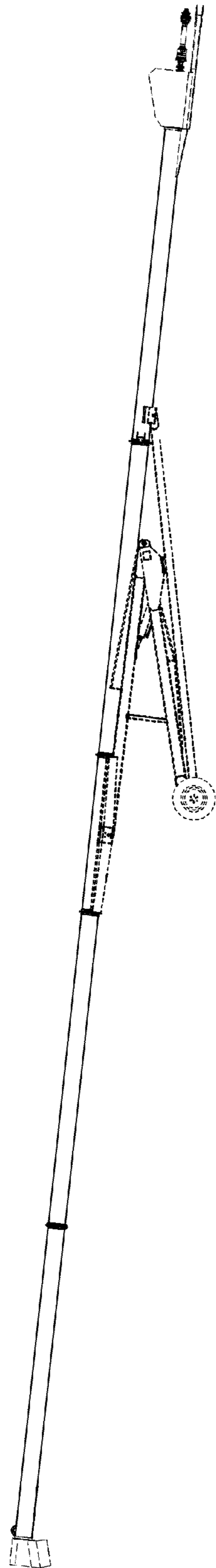


Fig. 10

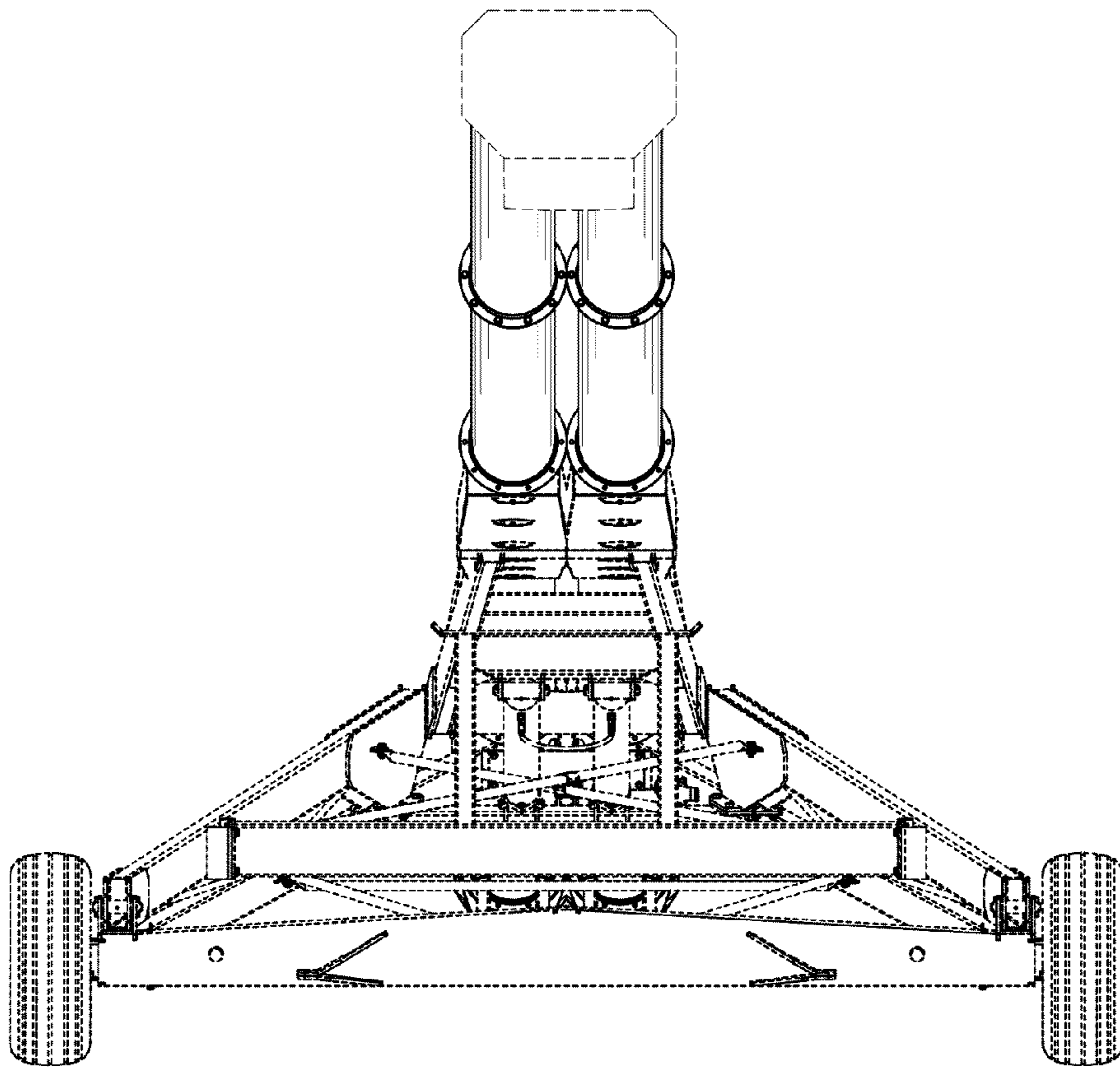


Fig. 11

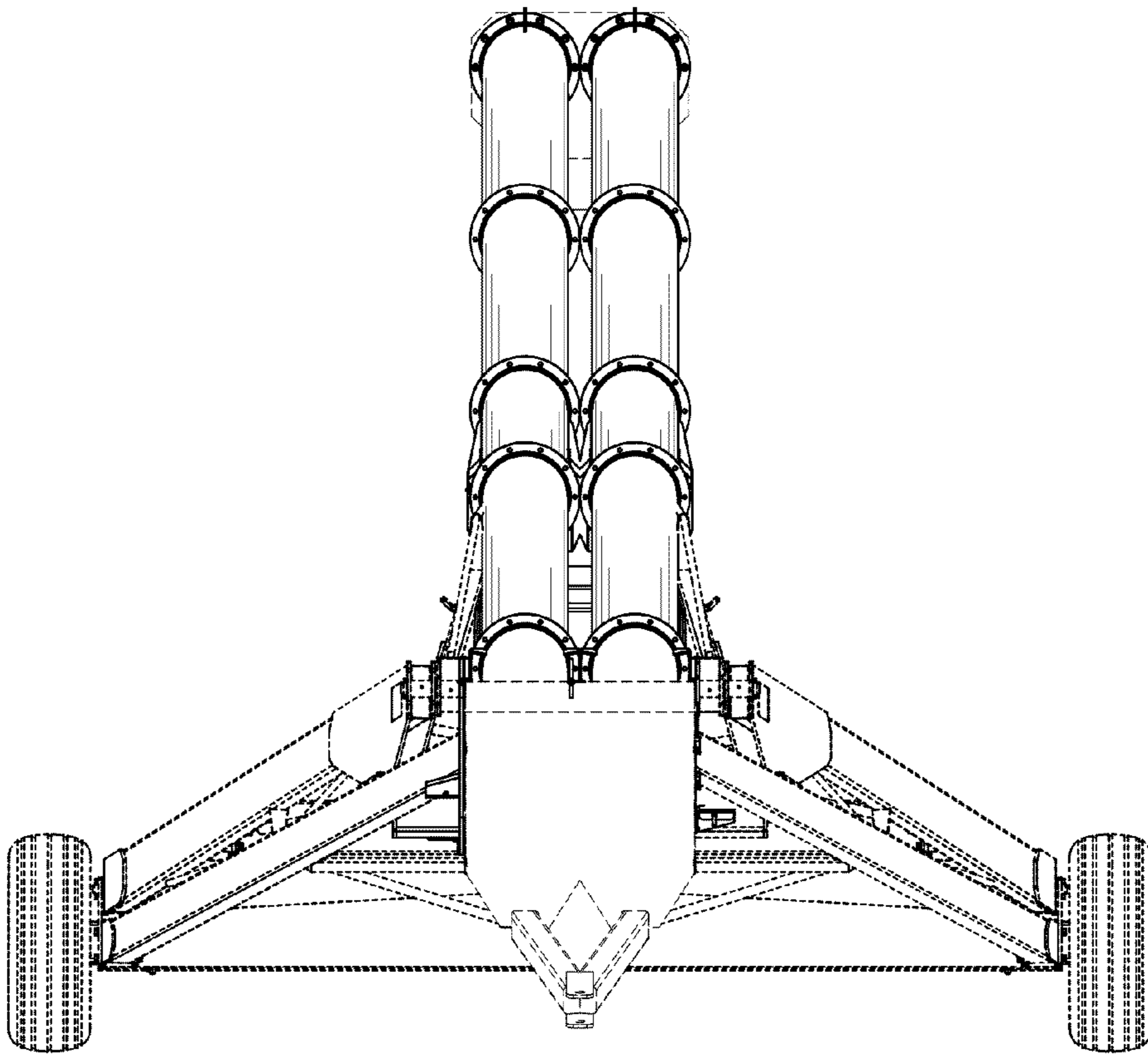


Fig. 12

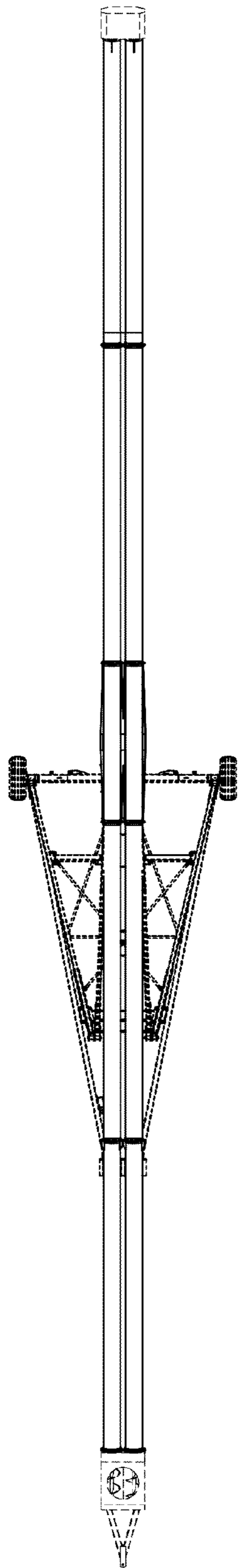


Fig. 13

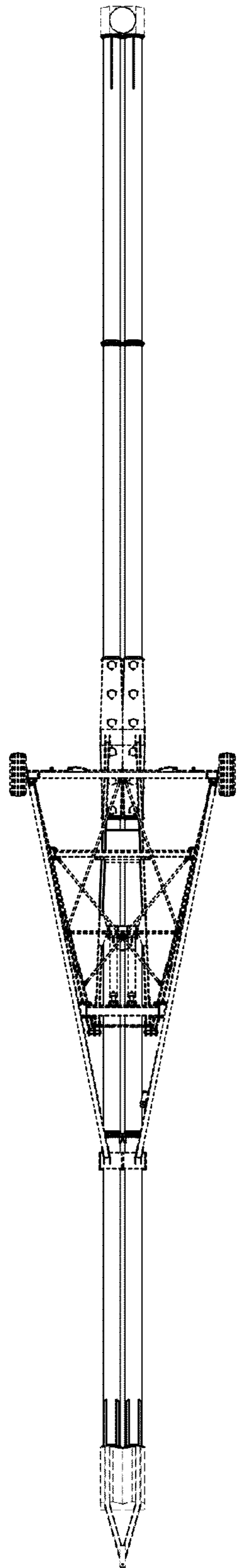


Fig. 14