



US00D722735S

(12) **United States Design Patent**
Del Rosario Roy et al.

(10) **Patent No.:** **US D722,735 S**
(45) **Date of Patent:** **** Feb. 17, 2015**

(54) **KITCHEN WASTE BIN**
(71) Applicant: **IPL Inc., St-Damien (CA)**
(72) Inventors: **Daisy Del Rosario Roy, Pintendre (CA);**
Roch Nolet, St-Joseph (CA); Yvan
Marcoux, St-Joseph-de-Beauce (CA);
Francis Cote, St-Nicolas (CA); Nicolas
Morneau, Saint-Charles-de-Bellechasse
(CA); Stephane Mercier, St-Damien
(CA)

(73) Assignee: **IPL Inc., St-Damien (CA)**

(**) Term: **14 Years**

(21) Appl. No.: **29/475,319**

(22) Filed: **Dec. 2, 2013**

(51) **LOC (10) Cl.** **09-09**

(52) **U.S. Cl.**
USPC **D34/8**

(58) **Field of Classification Search**
USPC D34/1-11; 220/908, 908.1, 910, 911,
220/909; D3/294, 276; D32/53, 53.1
See application file for complete search history.

(56) **References Cited**

U.S. PATENT DOCUMENTS

1,170,797	A *	2/1916	Burroughs	220/263
1,218,449	A *	3/1917	Nickum	220/634
1,441,040	A *	1/1923	Stephenson	220/480
3,153,629	A *	10/1964	Sabol	209/374
4,943,002	A *	7/1990	Fraher	232/43.1
D351,701	S *	10/1994	Sawatsky	D34/7
D386,904	S *	12/1997	Bradshaw, Jr.	D3/273
D439,717	S *	3/2001	Konieczny	D34/1

D440,724	S *	4/2001	Kalinski	D34/4
D441,933	S *	5/2001	Savage et al.	D34/1
D503,534	S *	4/2005	Dong	D3/276
D506,608	S *	6/2005	Dong	D3/276
D540,992	S *	4/2007	Fick	D30/133
D552,351	S *	10/2007	Bauers	D3/294
D586,063	S *	2/2009	Wolford et al.	D34/4

(Continued)

FOREIGN PATENT DOCUMENTS

CA	2694829	8/2010
EP	129526	12/2009

Primary Examiner — Cynthia Ramirez

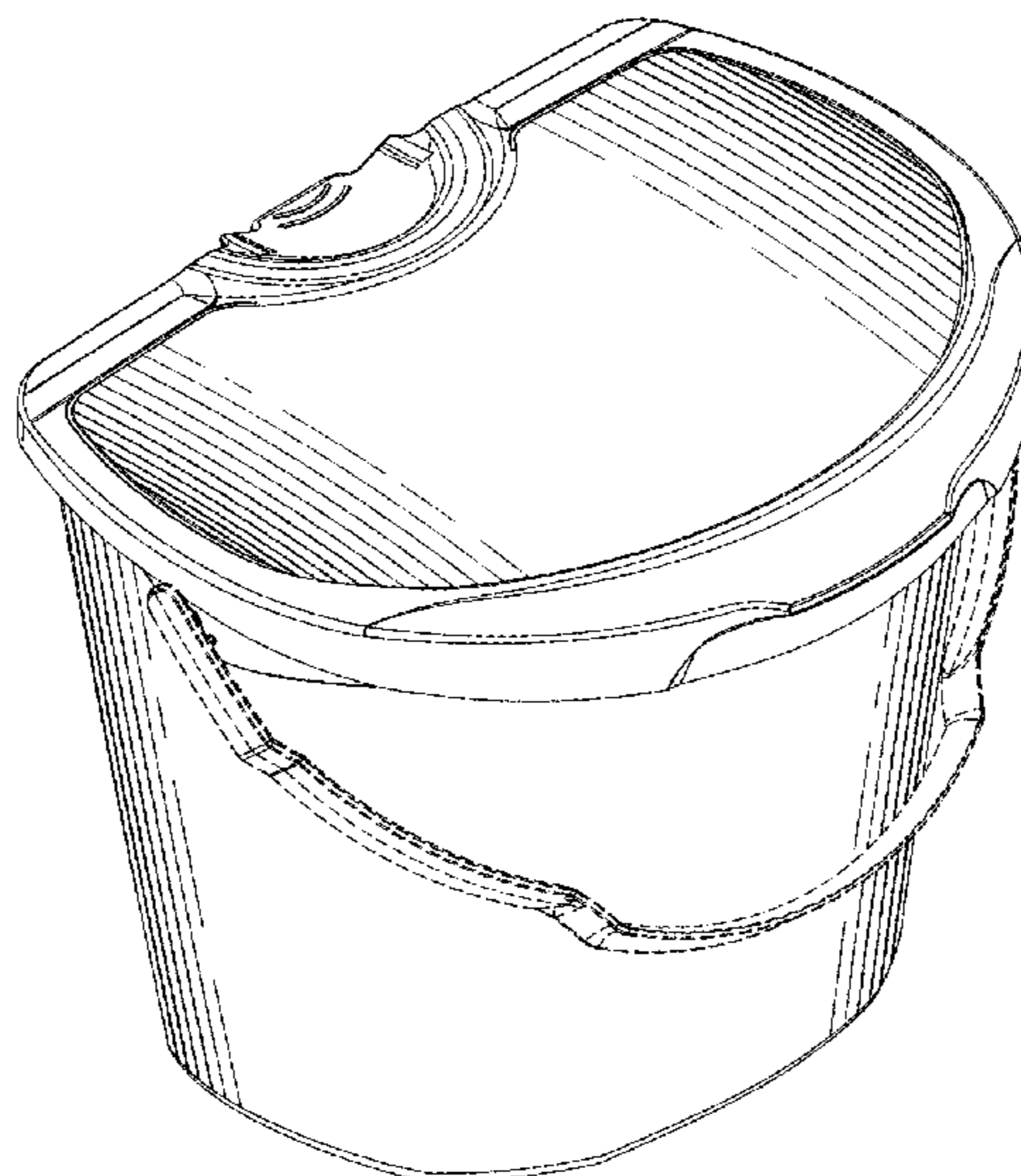
(57) **CLAIM**

The ornamental design for a kitchen waste bin, as shown and described.

DESCRIPTION

FIG. 1 is a perspective view of a kitchen waste bin according to a first variant showing our new design;
FIG. 2 is a side view of the kitchen waste bin of FIG. 1;
FIG. 3 is a front view of the kitchen waste bin of FIG. 1;
FIG. 4 is top view of the kitchen waste bin of FIG. 1;
FIG. 5 is a rear view of the kitchen waste bin of FIG. 1;
FIG. 6 is a bottom view of the kitchen waste bin of FIG. 1;
FIG. 7 is a perspective view of a kitchen waste bin according to a second variant showing our new design;
FIG. 8 is a side view of the kitchen waste bin of FIG. 7;
FIG. 9 is a front view of the kitchen waste bin of FIG. 7;
FIG. 10 is top view of the kitchen waste bin of FIG. 7;
FIG. 11 is a rear view of the kitchen waste bin of FIG. 7; and,
FIG. 12 is a bottom view of the kitchen waste bin of FIG. 7.
The broken line showing of portions of the kitchen waste bin is included for the purpose of illustrating environmental structure and forms no part of the claimed design.

1 Claim, 6 Drawing Sheets



(56)

References Cited

U.S. PATENT DOCUMENTS

D587,566 S * 3/2009 Albrecht D9/424
D593,269 S * 5/2009 Weiler D32/53
D643,983 S * 8/2011 Lockwood et al. D32/53

D644,389 S 8/2011 Roberts et al.
D680,703 S * 4/2013 Thomas et al. D34/10
D689,255 S * 9/2013 Kung et al. D34/7
2010/0193534 A1 8/2010 Roberts et al.

* cited by examiner

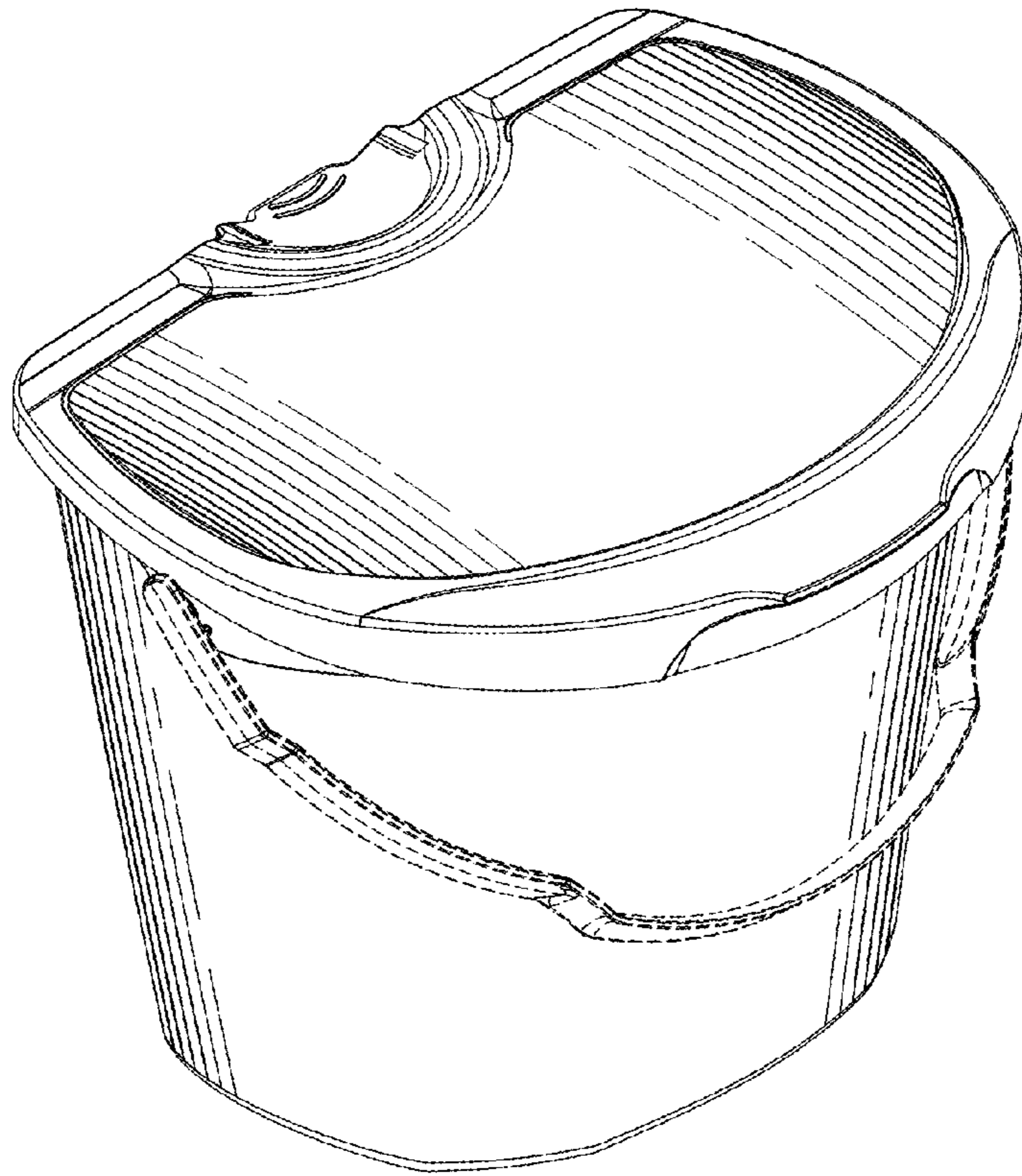


FIG. 1

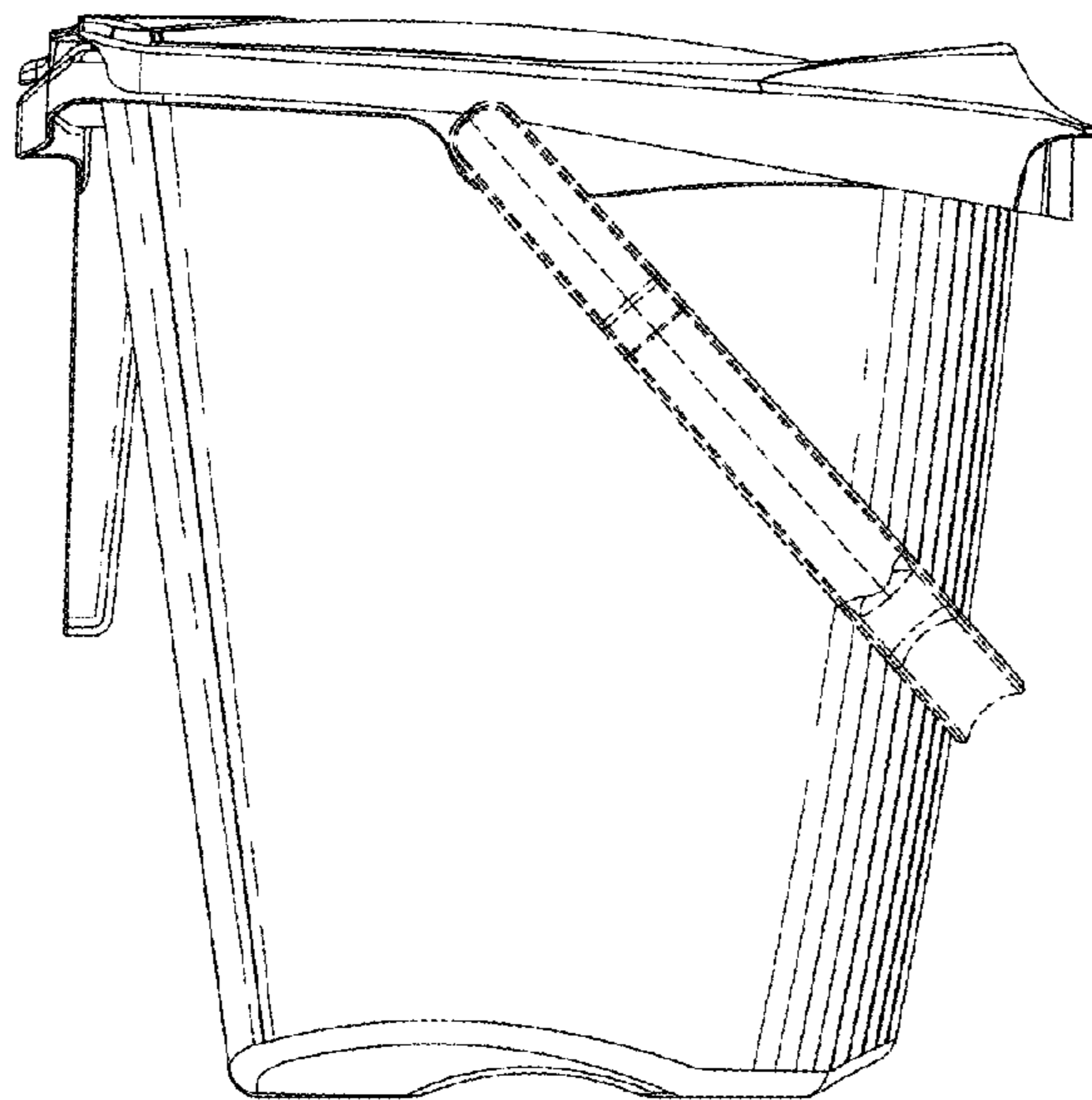


FIG. 2

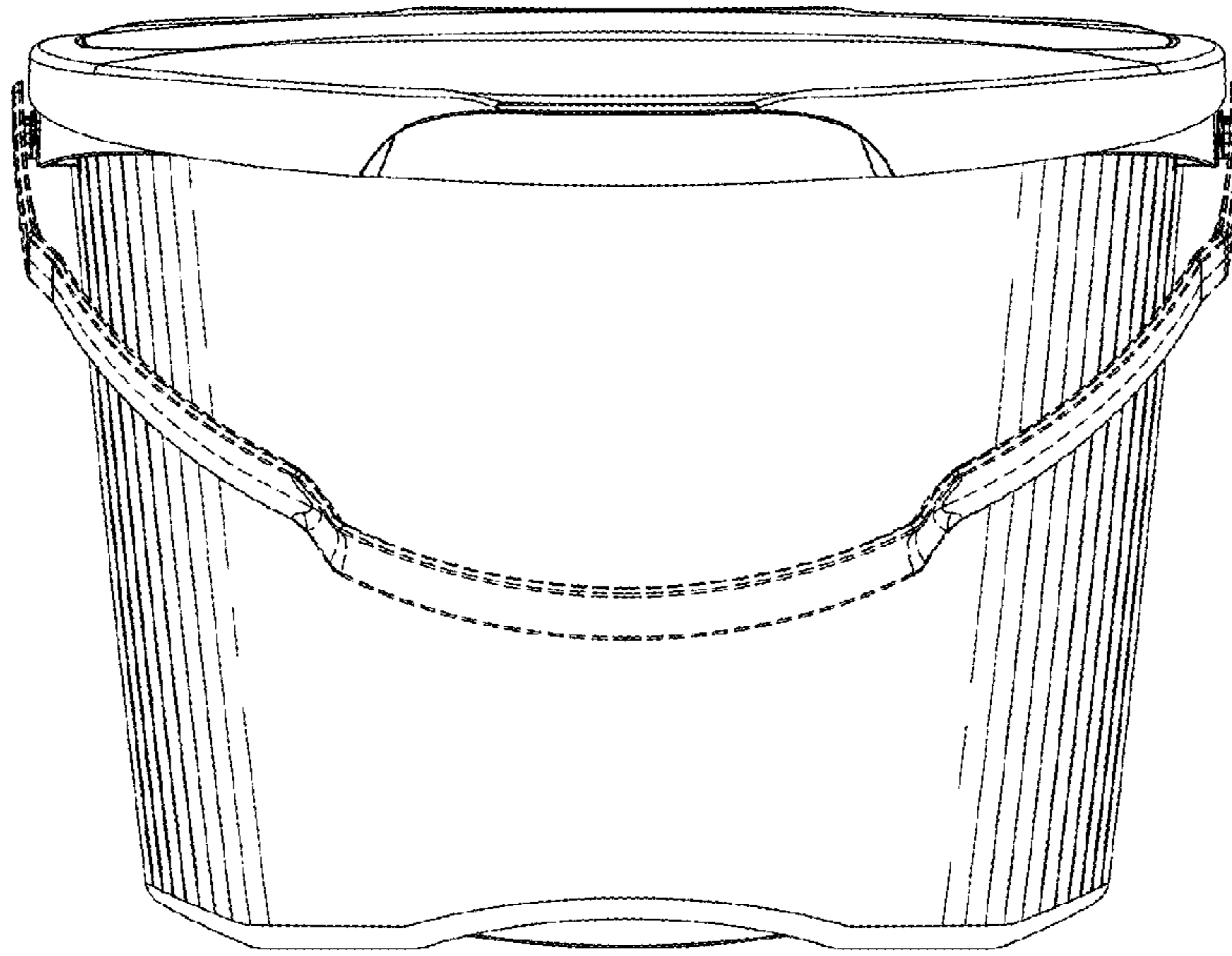


FIG. 3

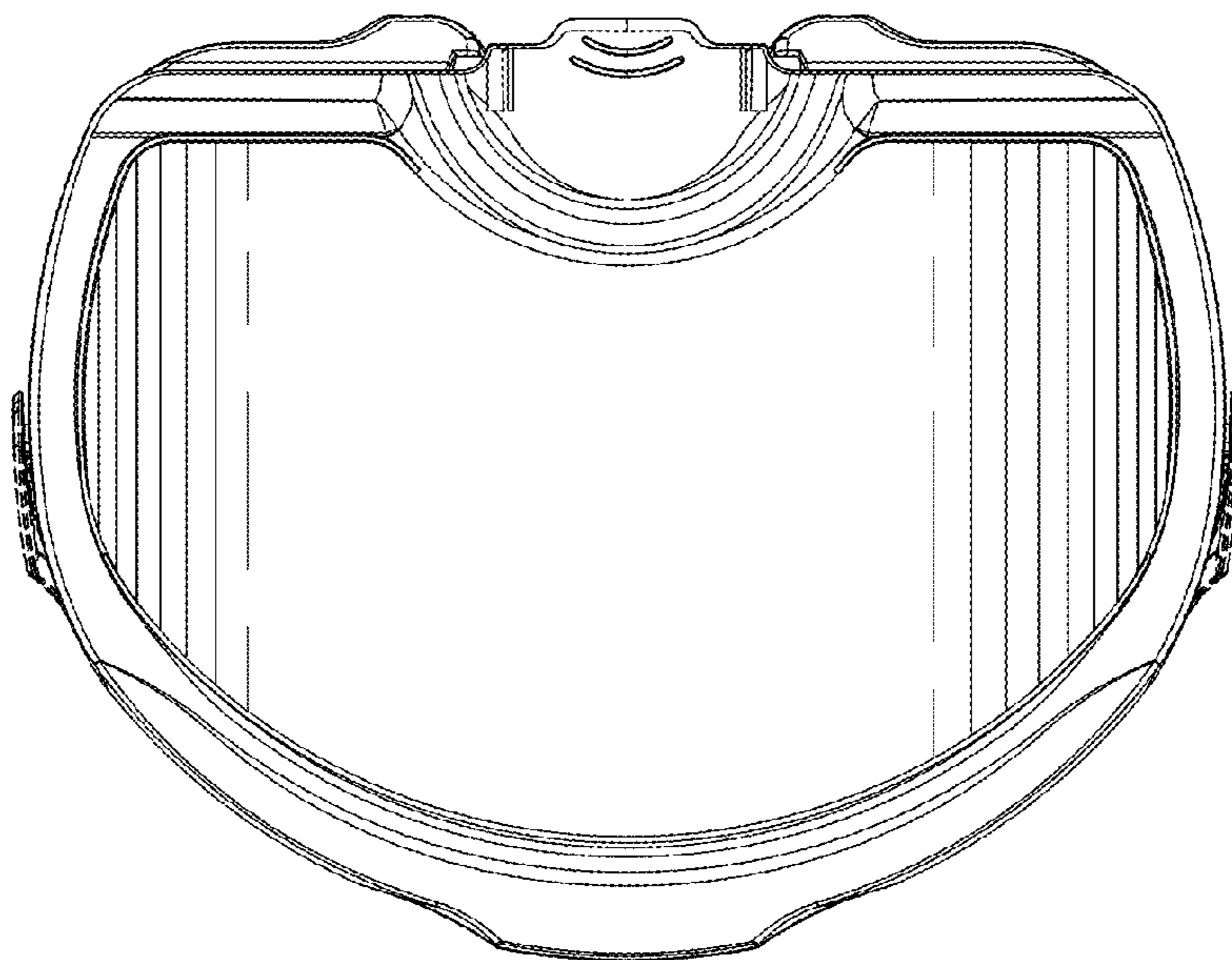


FIG. 4

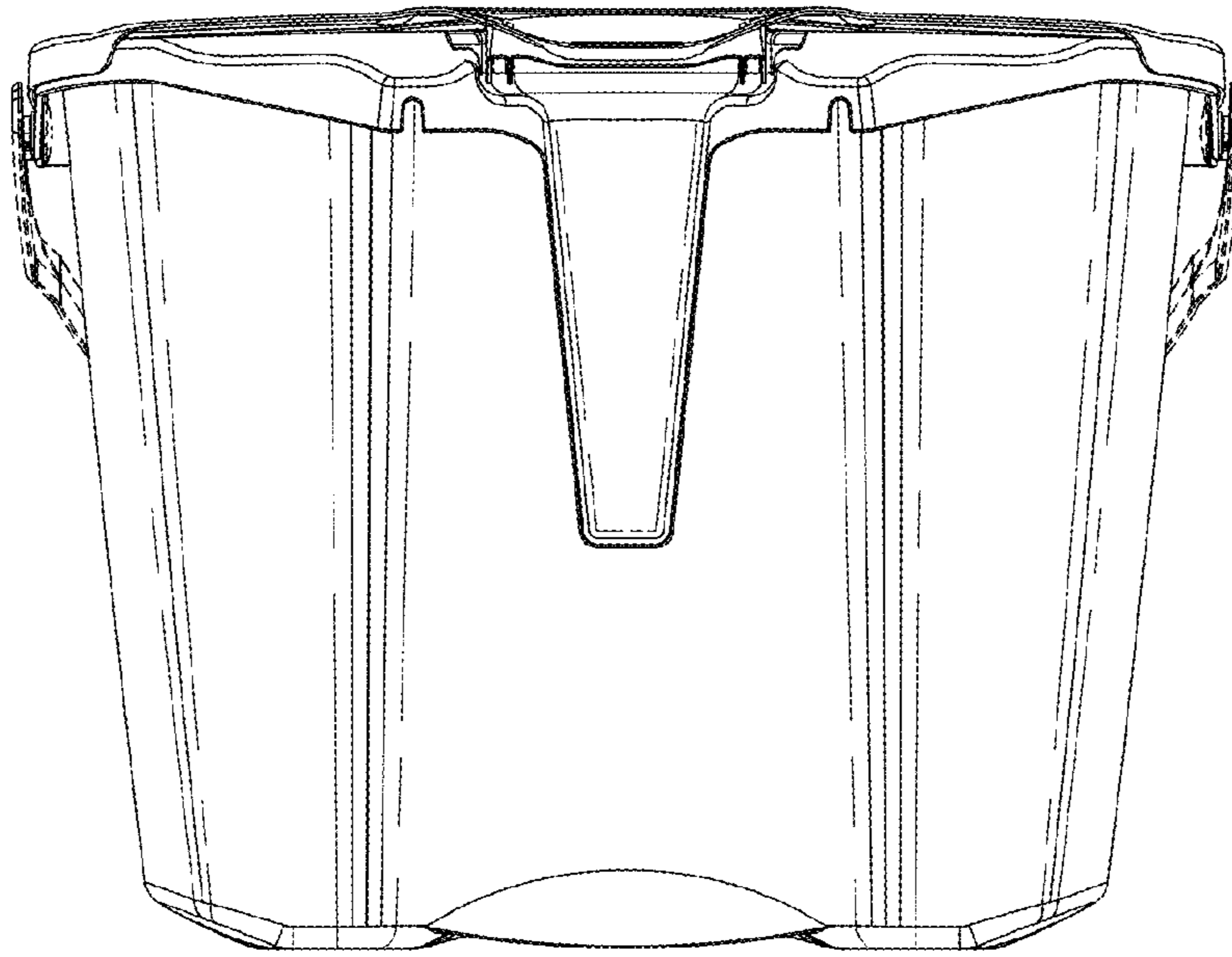


FIG. 5

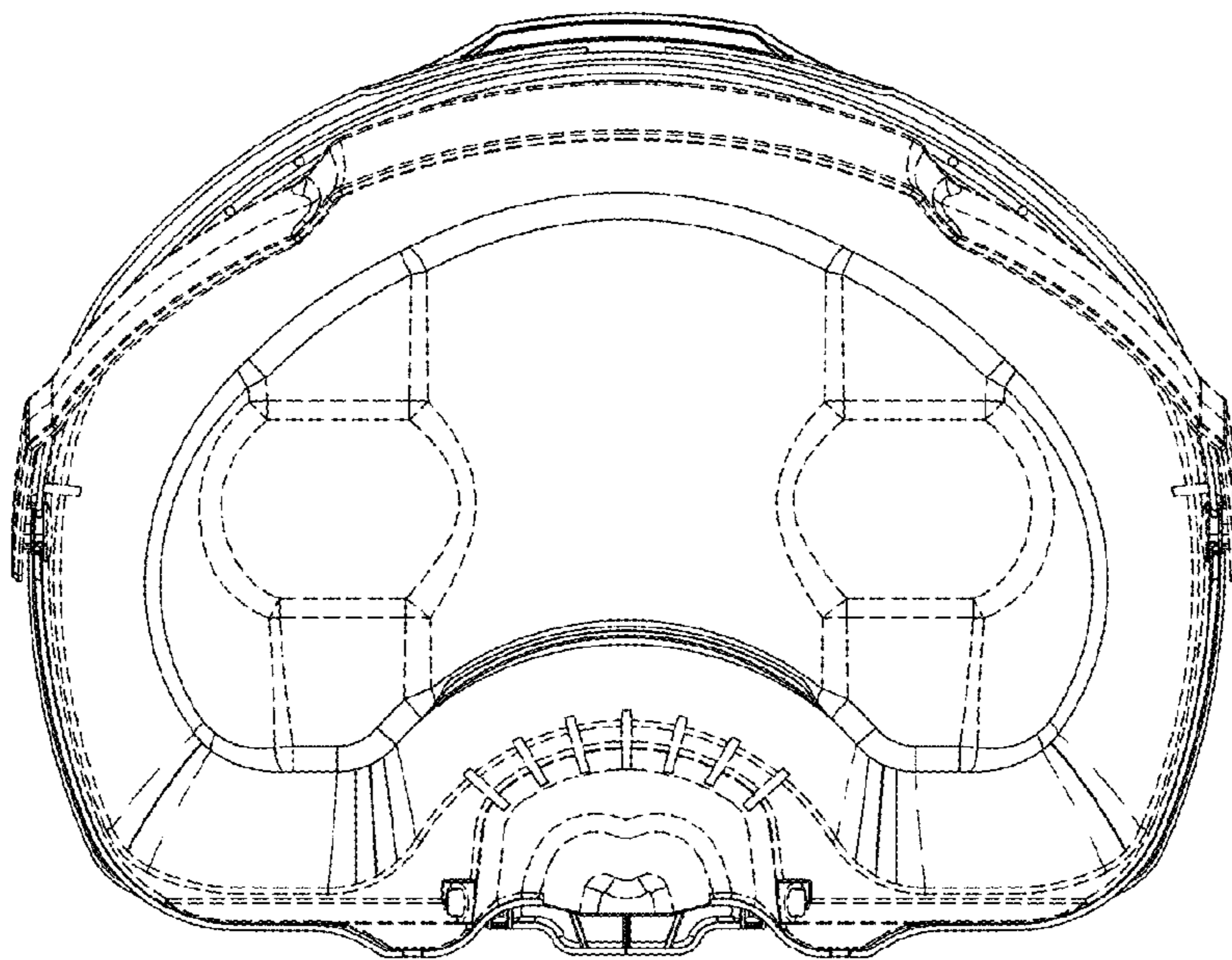


FIG. 6

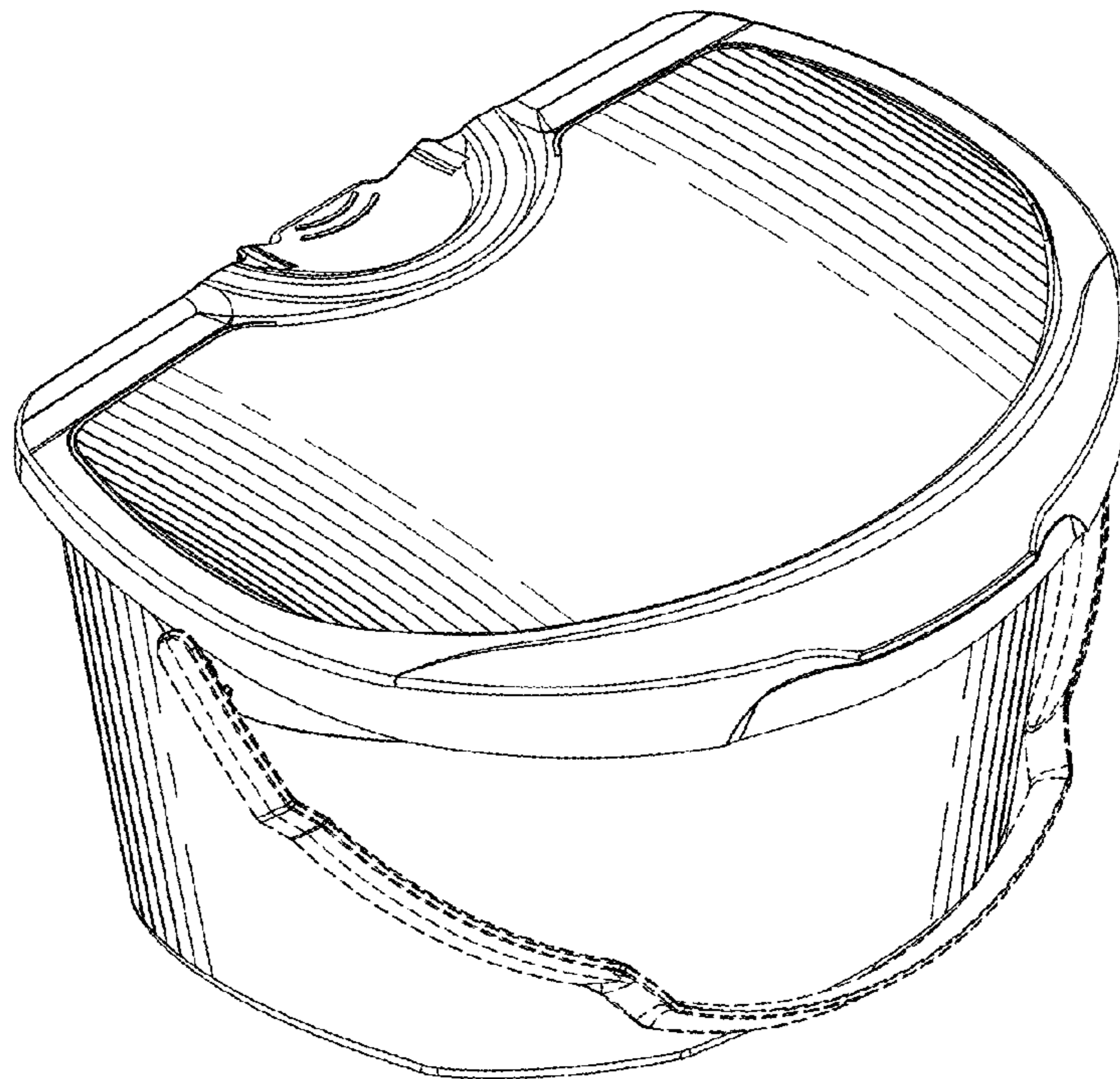


FIG. 7

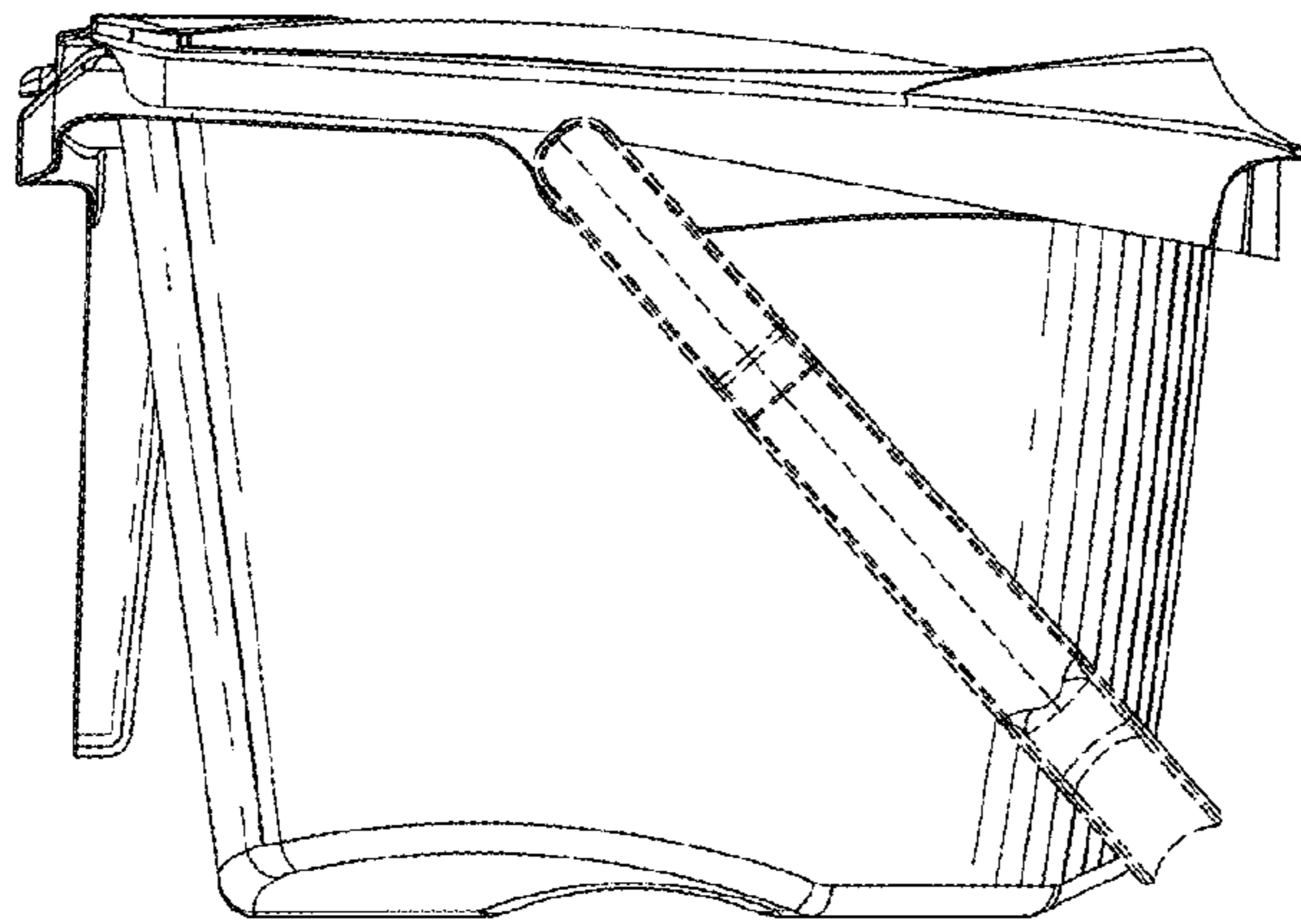


FIG. 8

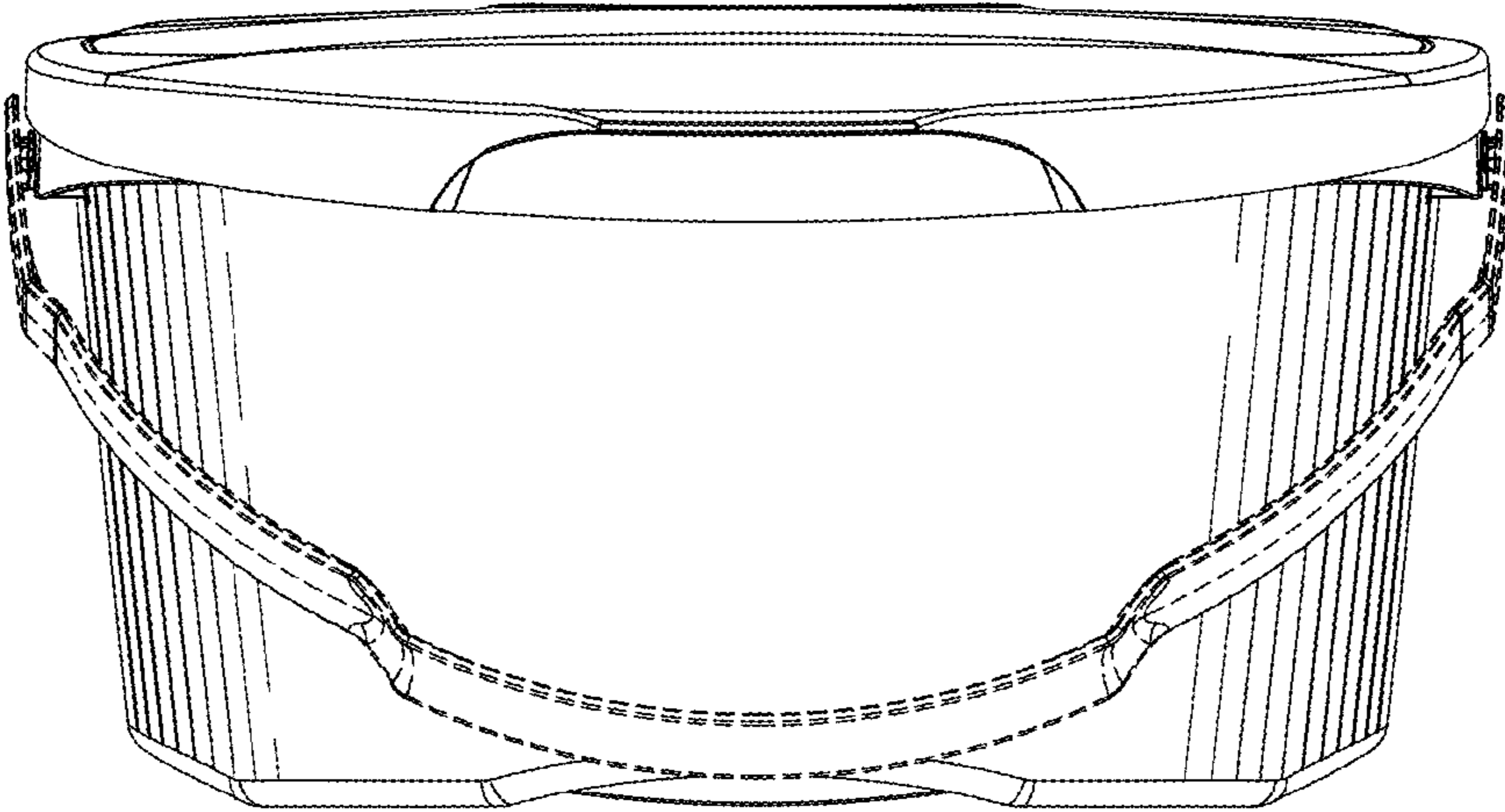


FIG. 9

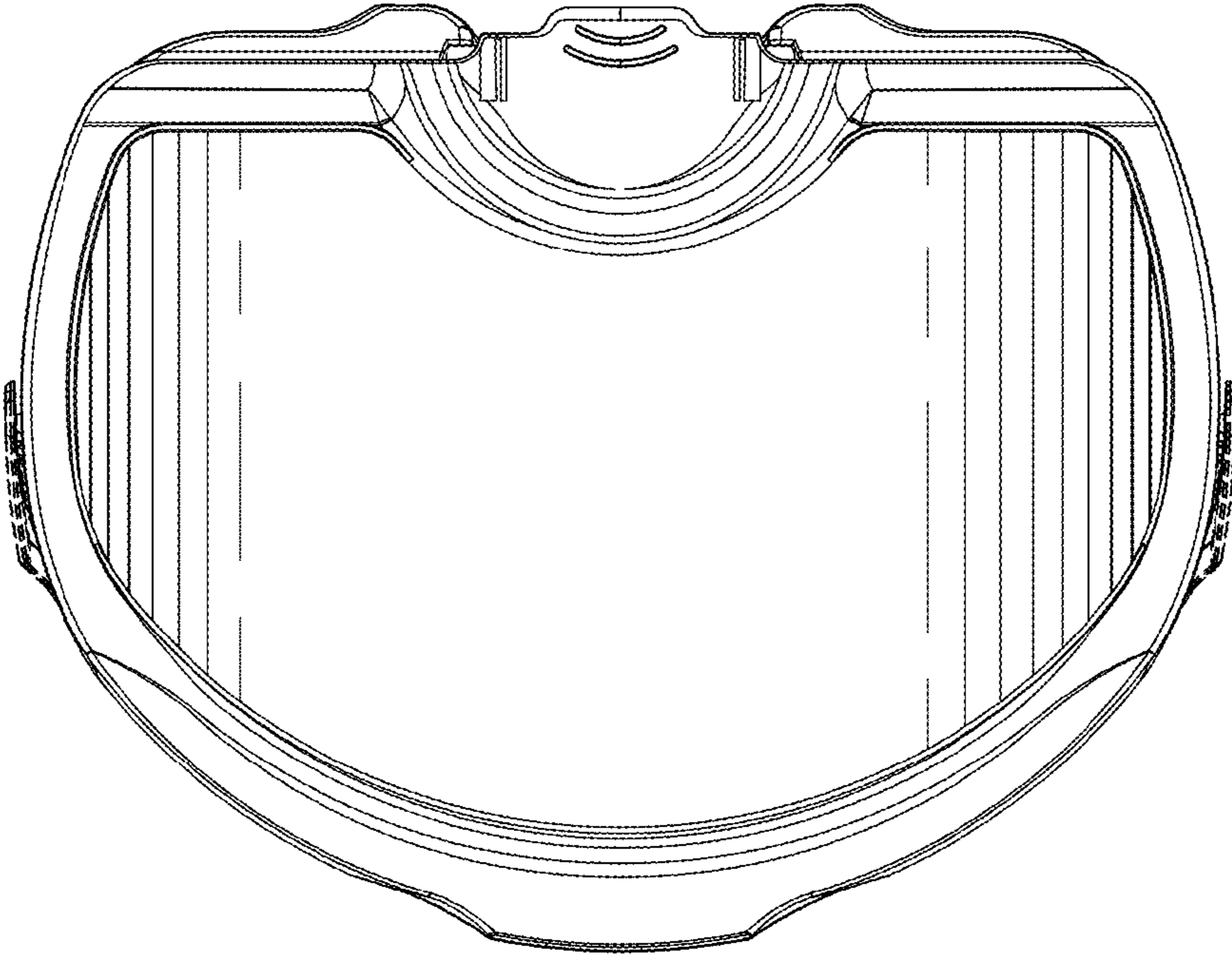


FIG. 10

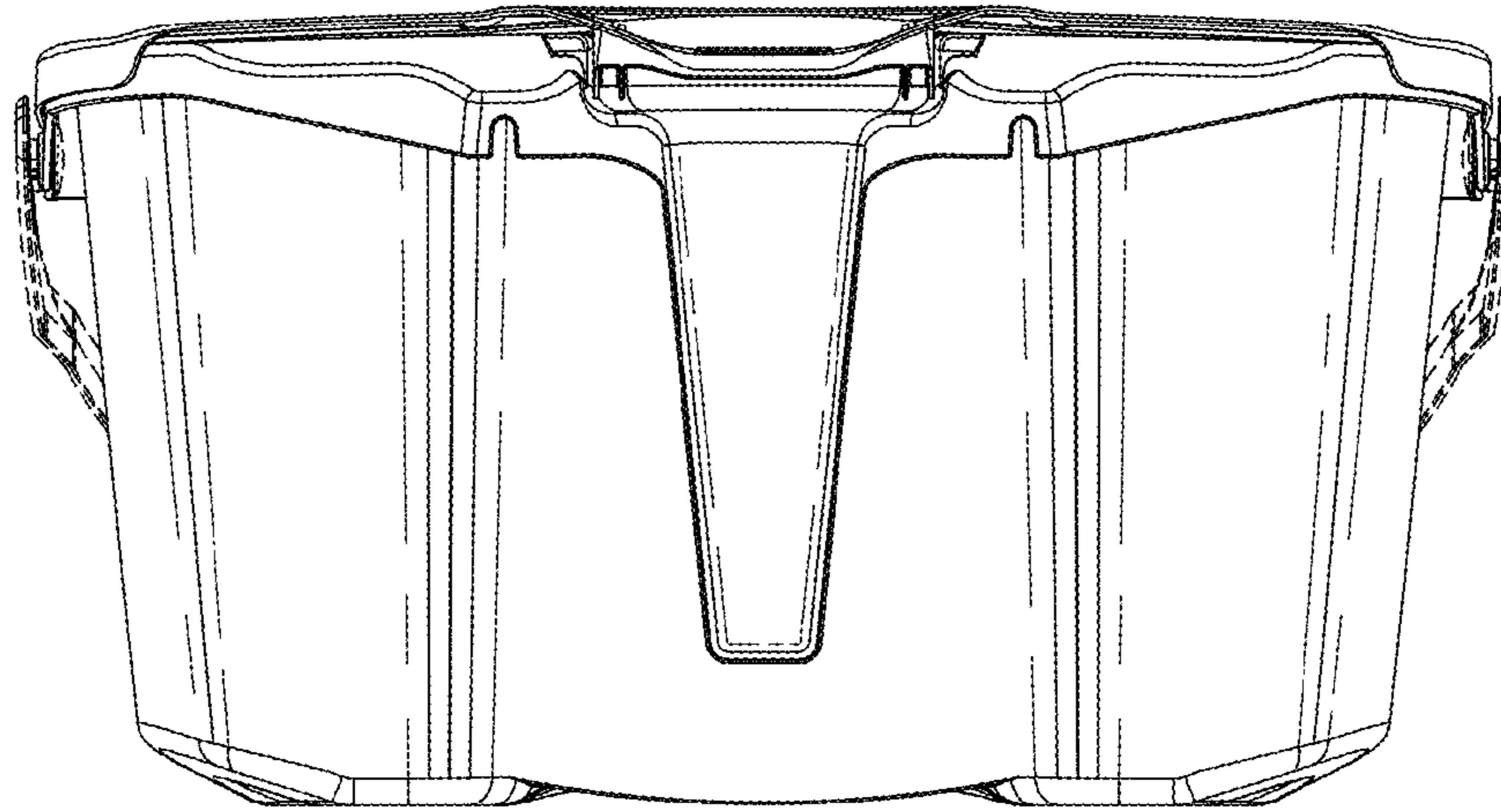


FIG. 11

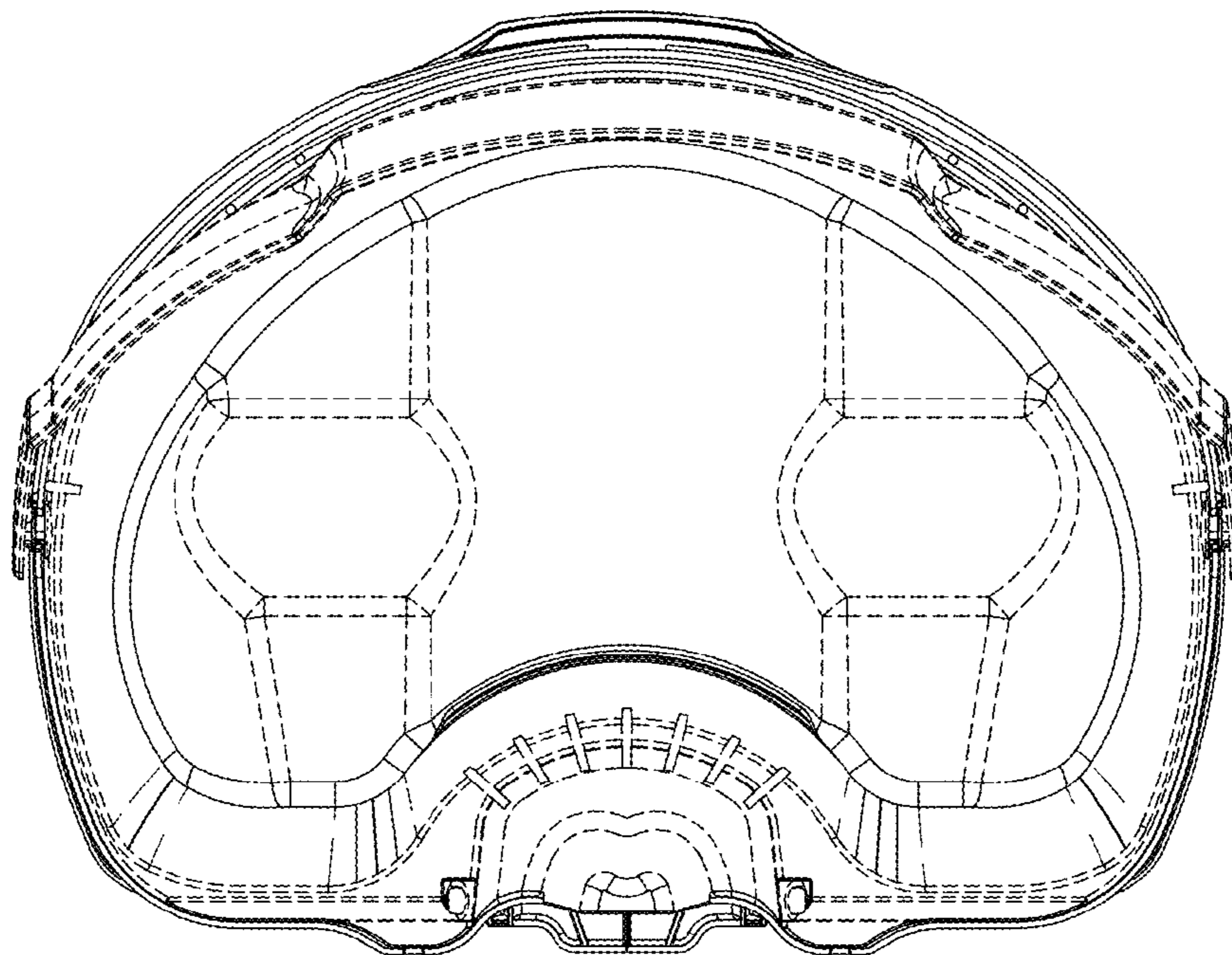


FIG. 12