



US00D722734S

(12) **United States Design Patent**
Jang et al.

(10) **Patent No.:** **US D722,734 S**

(45) **Date of Patent:** **** Feb. 17, 2015**

- (54) **INLET FOR VACUUM CLEANER**
- (71) Applicant: **Samsung Electronics Co., Ltd.**,
Suwon-si, Gyeonggi-do (KR)
- (72) Inventors: **Jae-Ho Jang**, Seoul (KR); **Yeon-Young Nam**, Goyang-si (KR)
- (73) Assignee: **Samsung Electronics Co., Ltd.** (KR)
- (**) Term: **14 Years**
- (21) Appl. No.: **29/467,459**
- (22) Filed: **Sep. 19, 2013**

- (30) **Foreign Application Priority Data**
Mar. 28, 2013 (KR) 30-2013-0015873
- (51) **LOC (10) Cl.** **15-05**
- (52) **U.S. Cl.**
USPC **D32/31**
- (58) **Field of Classification Search**
CPC . A47L 7/004; A47L 11/4036; A47L 11/4041;
A47L 7/0023; A47L 7/009; A47L 11/30;
A47L 11/34; A47L 11/14; A47L 9/0477;
A47L 9/0461; A47L 9/0466; A47L 9/0483;
A47L 11/18
USPC D32/21-24, 31-34; 15/353, 320-321,
15/323, 340.2, 412, 339, 327.1-327.1
See application file for complete search history.

- (56) **References Cited**
U.S. PATENT DOCUMENTS
D266,962 S * 11/1982 Hachtmann et al. D32/33
D296,372 S * 6/1988 Toney et al. D32/32
D306,788 S * 3/1990 McAllister et al. D32/32
D347,504 S * 5/1994 Furcron et al. D32/33
D393,113 S * 3/1998 Essex et al. D32/32
5,752,289 A * 5/1998 Collins 15/421
5,802,664 A * 9/1998 Mondigo et al. 15/322

5,920,952 A *	7/1999	Baldacci	15/320
6,185,781 B1 *	2/2001	Miller et al.	15/322
D515,756 S *	2/2006	Allard et al.	D32/32
D520,202 S *	5/2006	Dyson et al.	D32/33
D520,695 S *	5/2006	Dyson et al.	D32/33
D590,111 S *	4/2009	Wiljanen et al.	D32/32
D590,112 S *	4/2009	Sun	D32/32
D590,113 S *	4/2009	Benacquisto	D32/32
D621,112 S *	8/2010	Benacquisto	D32/33
D621,566 S *	8/2010	Crawley et al.	D32/33
D629,981 S *	12/2010	Roschi	D32/32
D659,923 S *	5/2012	Dyson	D32/33
D666,373 S *	8/2012	Eden et al.	D32/32
D674,978 S *	1/2013	Hill et al.	D32/32
D679,878 S *	4/2013	Chudleigh et al.	D32/33

* cited by examiner

Primary Examiner — Ruth McInroy
(74) *Attorney, Agent, or Firm* — Cantor Colburn LLP

(57) **CLAIM**
We claim, the ornamental design for an inlet for vacuum cleaner, as shown and described.

DESCRIPTION
FIG. 1 is a perspective view of an inlet for vacuum cleaner, showing our new design;
FIG. 2 is a front elevation view thereof;
FIG. 3 is a rear elevation view thereof;
FIG. 4 is a left side elevation view thereof;
FIG. 5 is a right side elevation view thereof;
FIG. 6 is a top plan view thereof;
FIG. 7 is a bottom plan view thereof;
FIG. 8 is another right side elevation view in an alternate position; and,
FIG. 9 is another right side elevation view thereof with an unclaimed brush attachment.
The broken lines illustrating portions of the inlet for vacuum cleaner are for environmental purposes only and form no part of the claimed design.

1 Claim, 9 Drawing Sheets

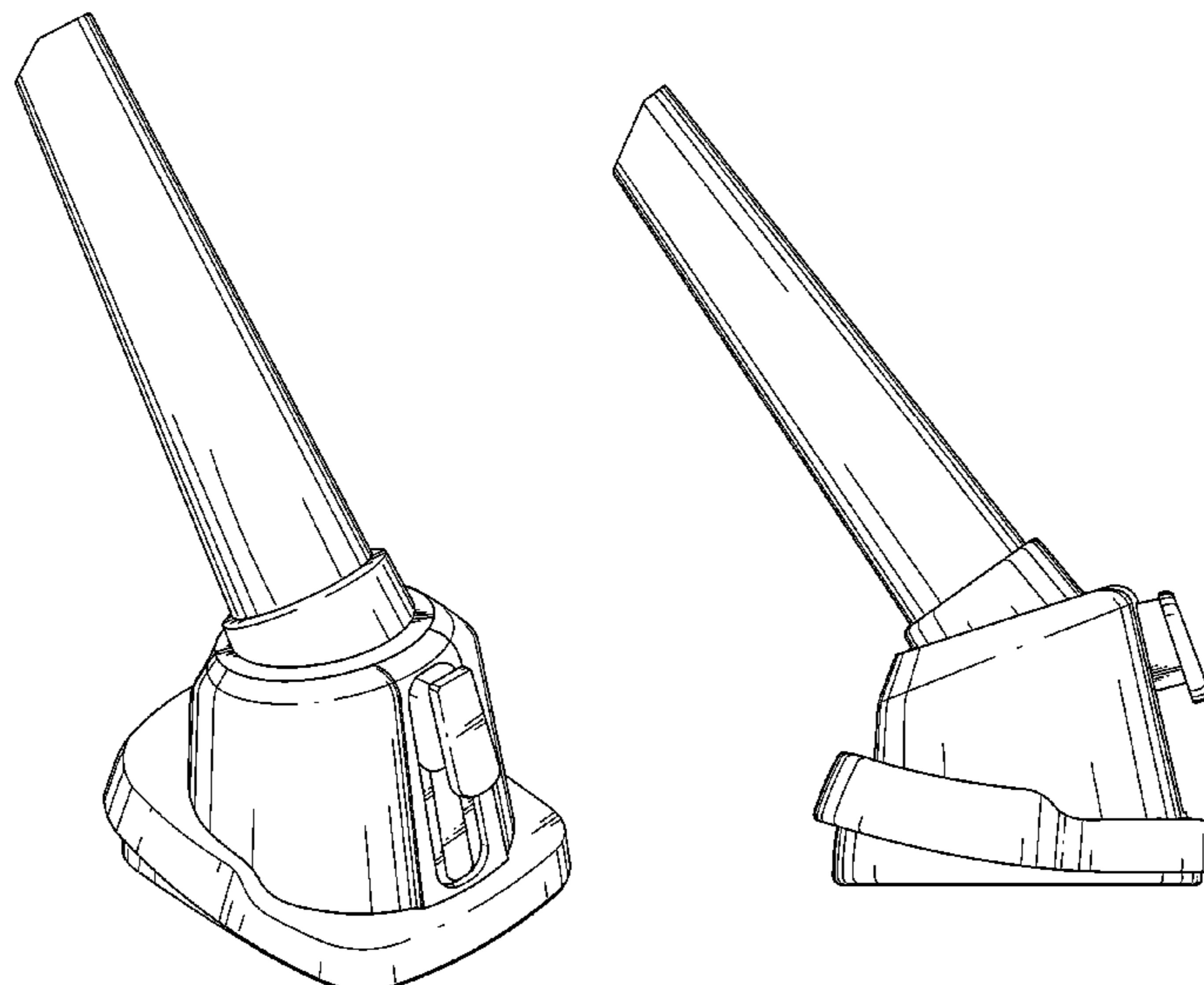


FIG. 1

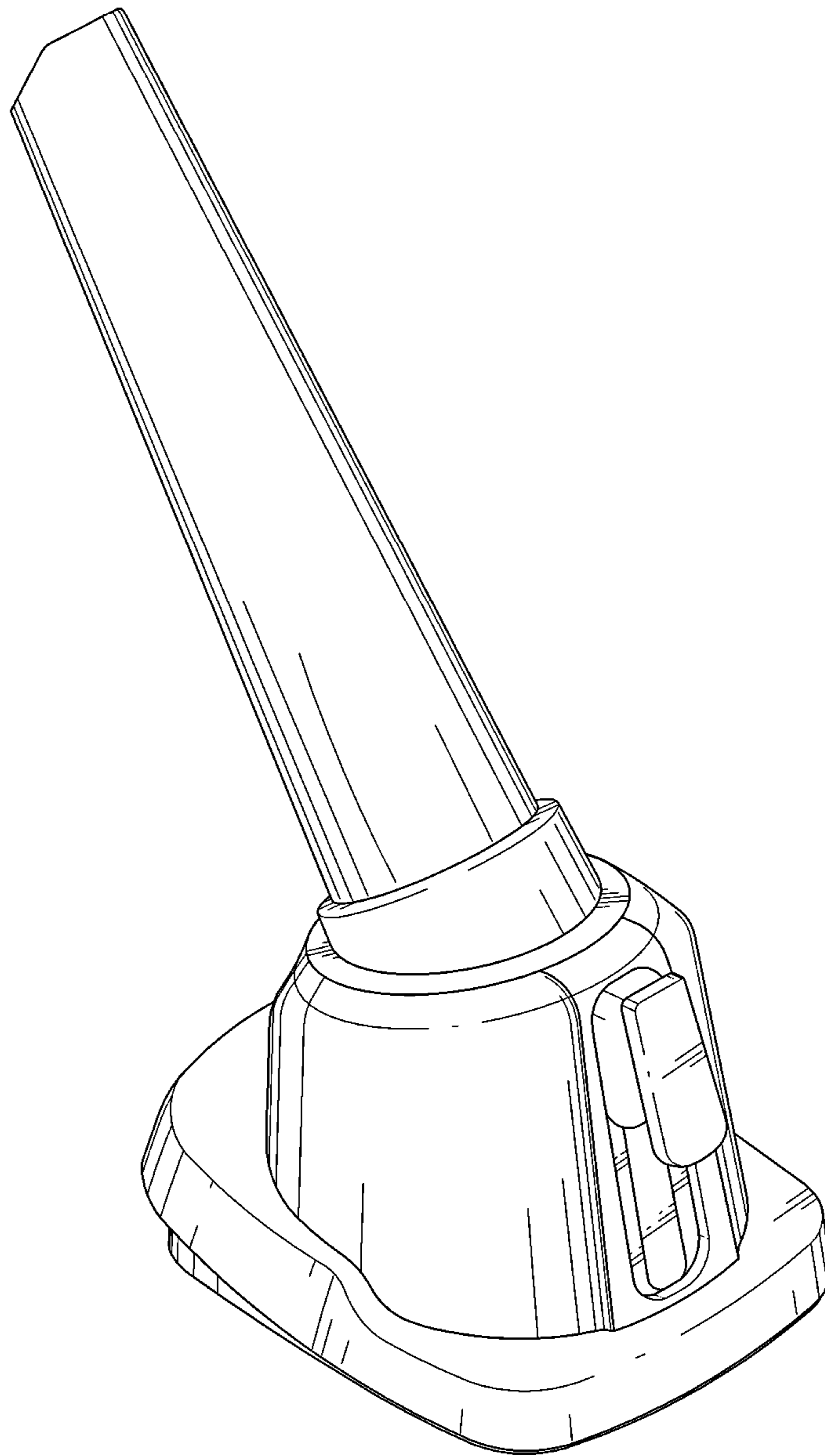


FIG. 2

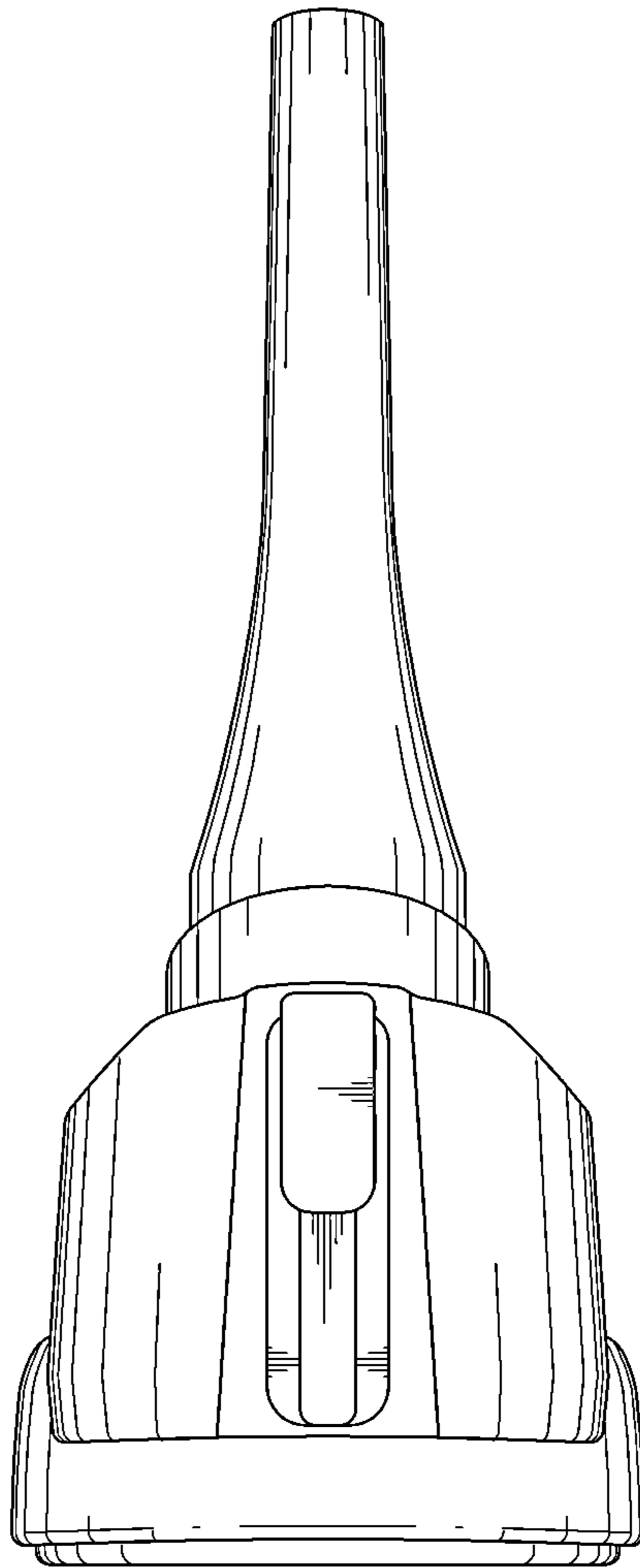


FIG. 3

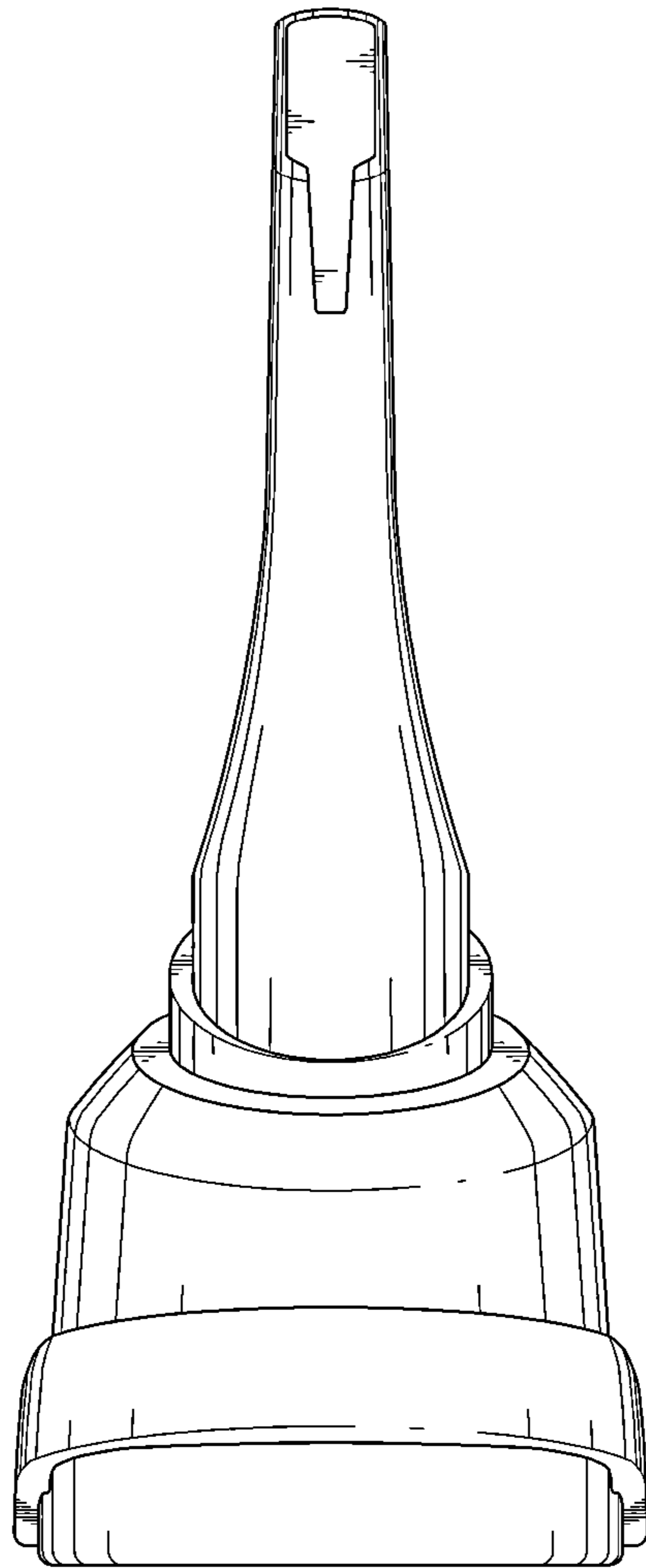


FIG. 4

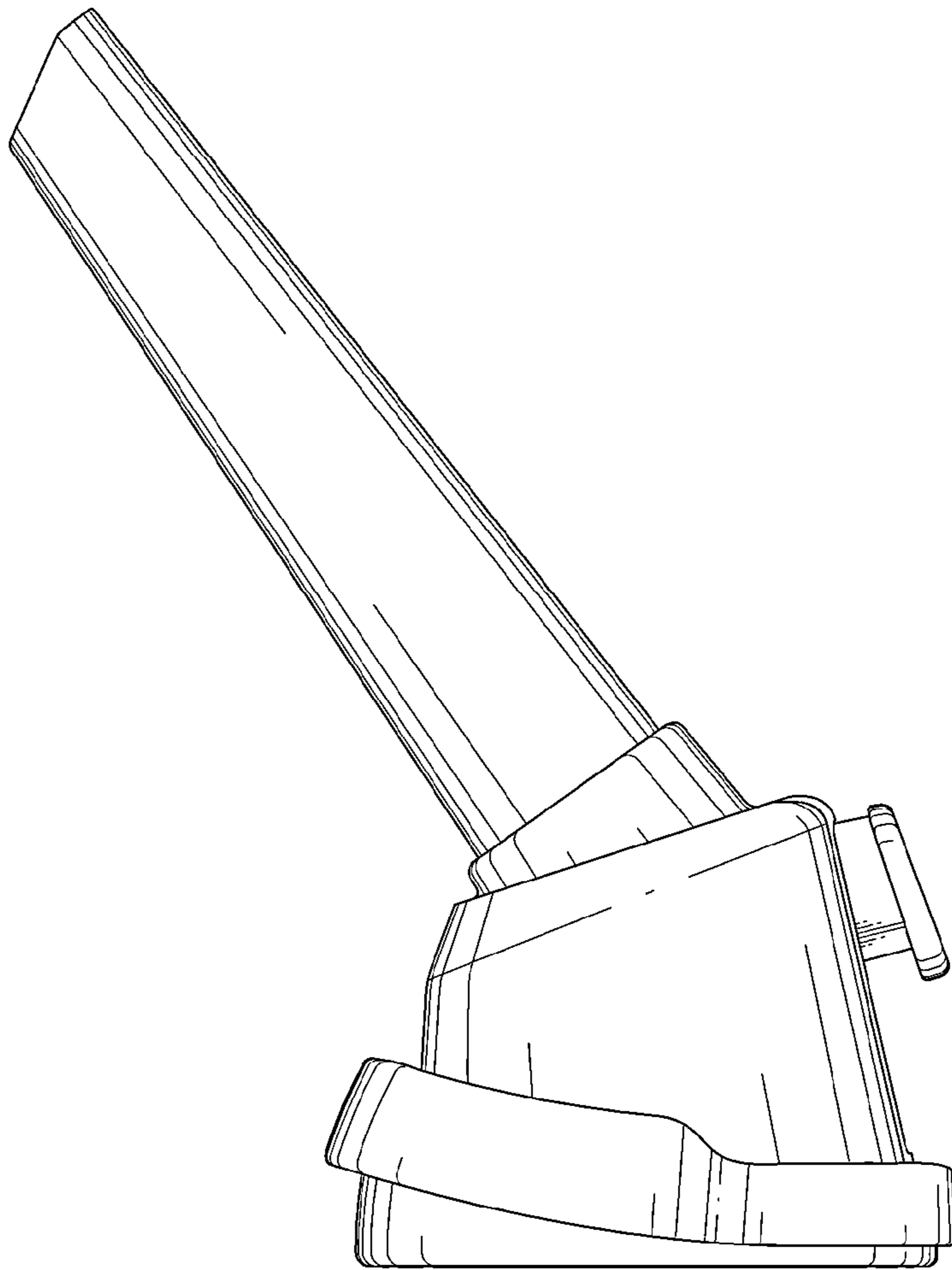


FIG. 5

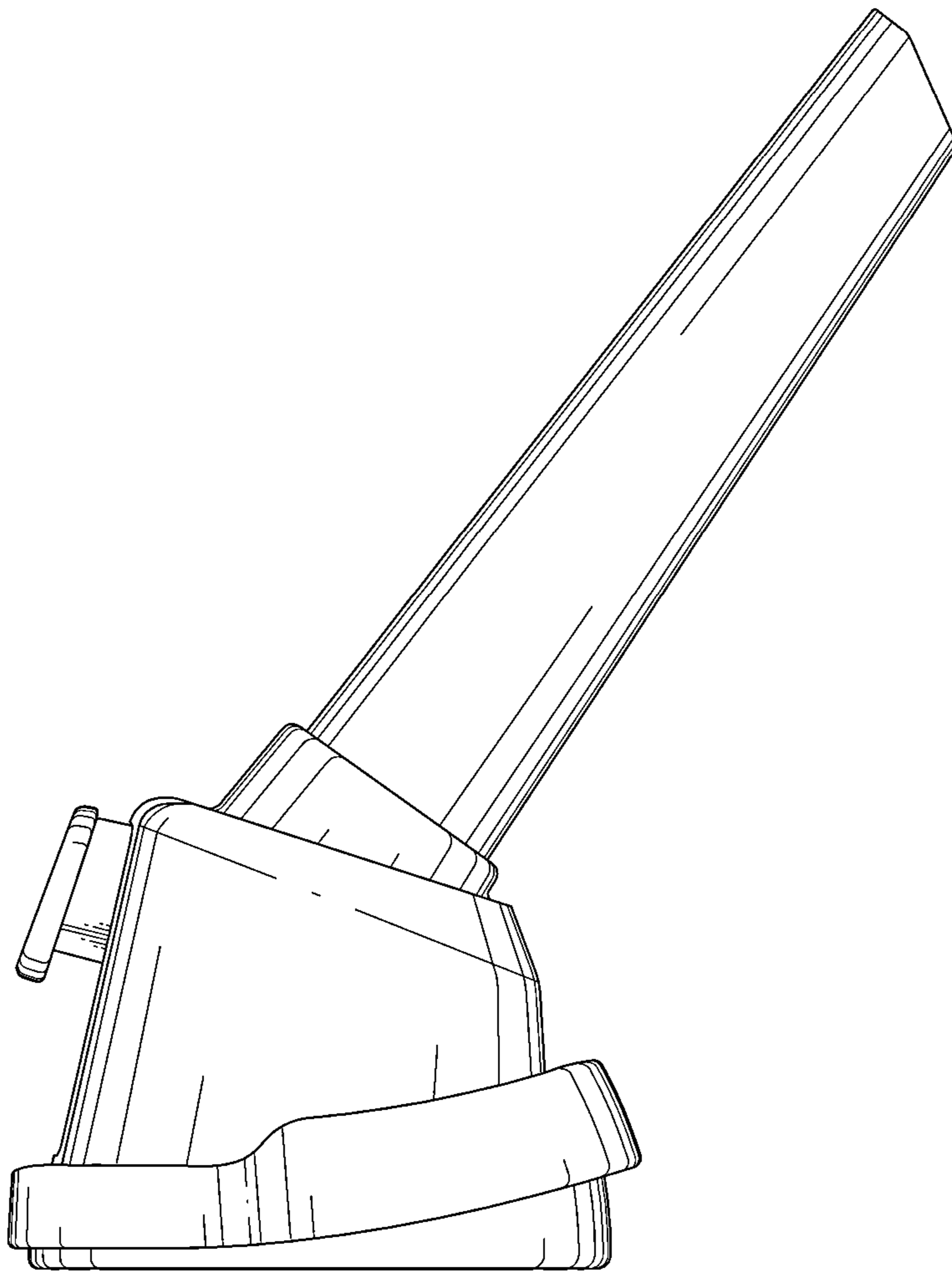


FIG. 6

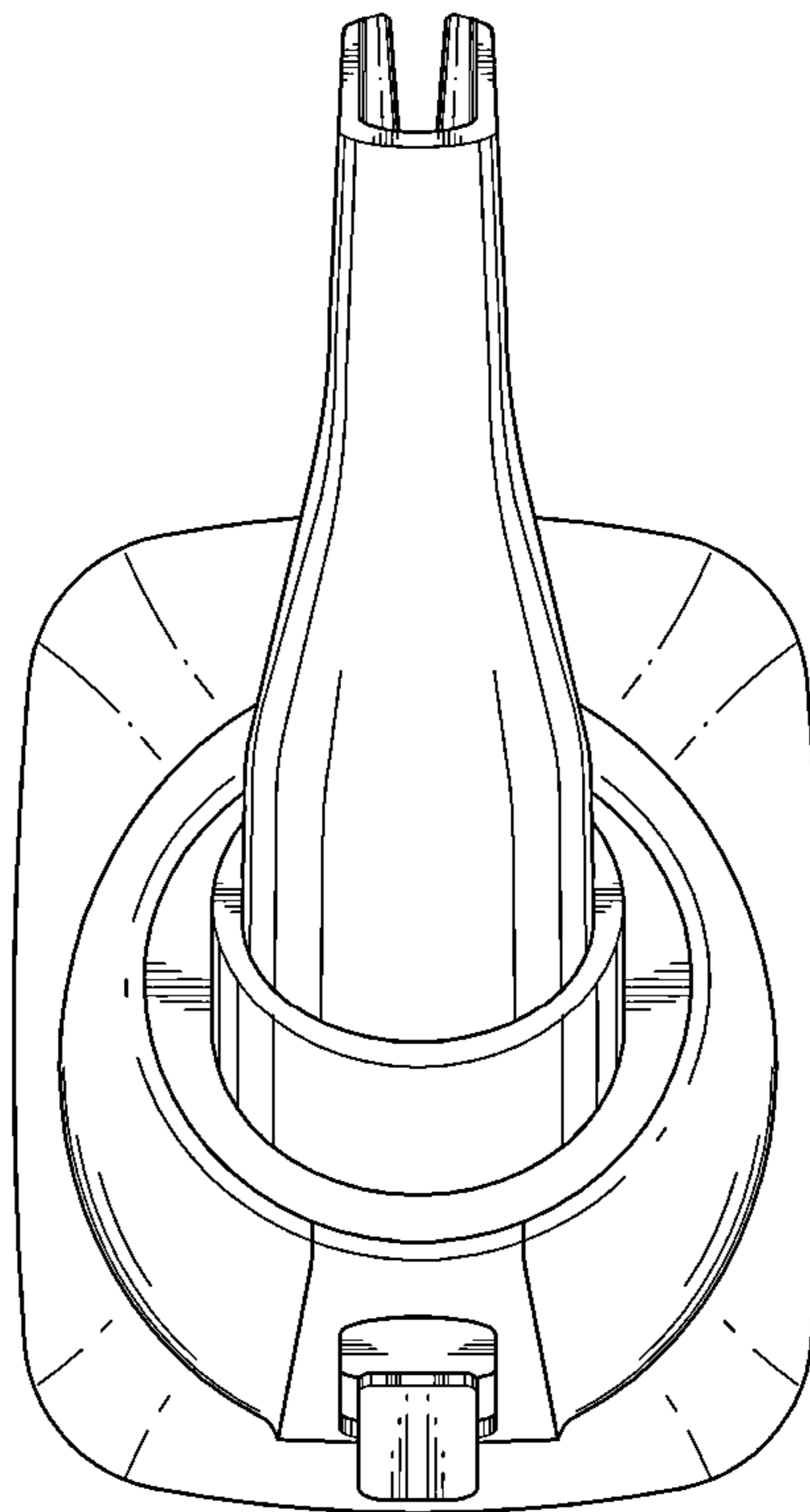


FIG. 7

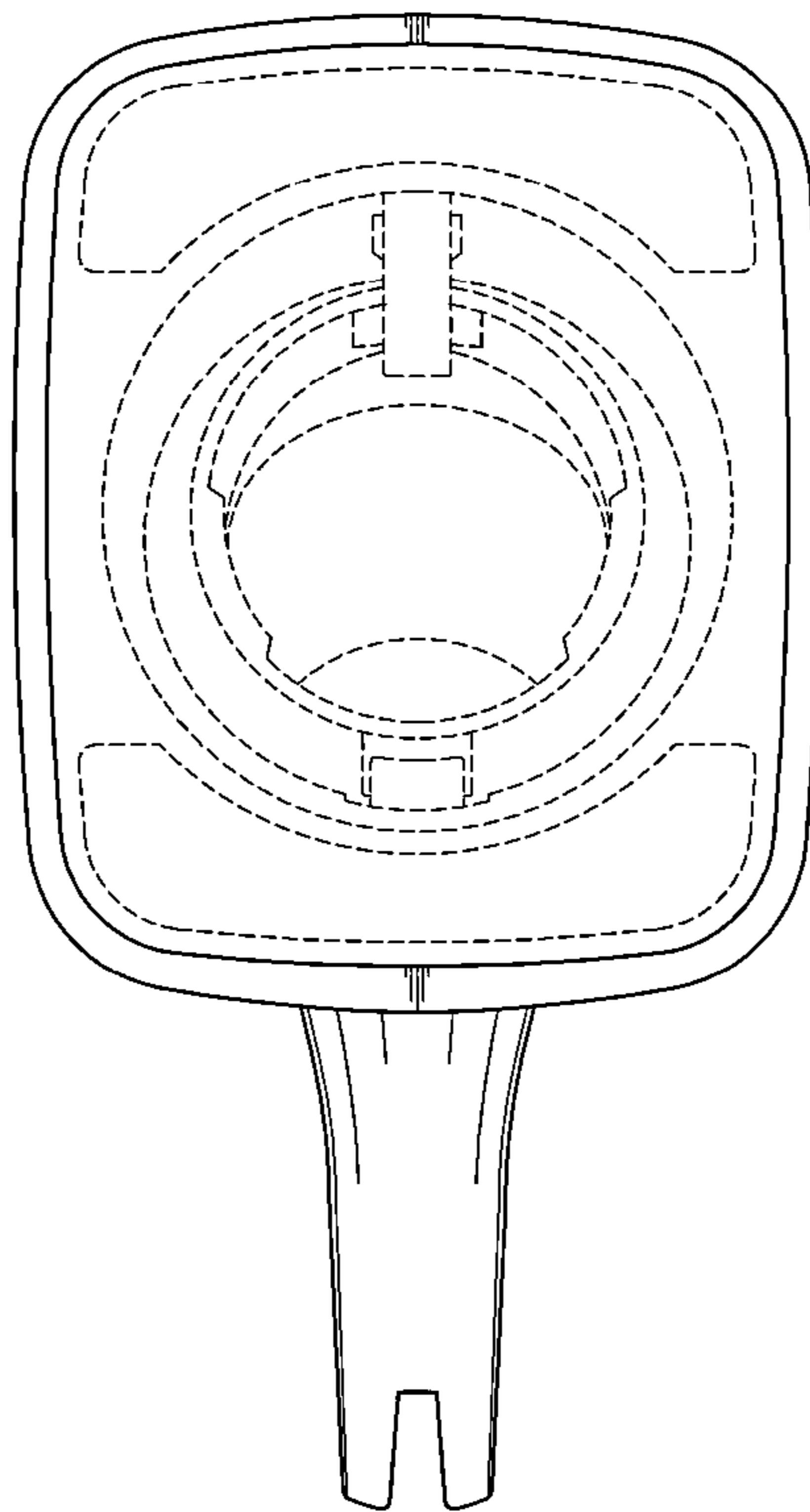


FIG. 8

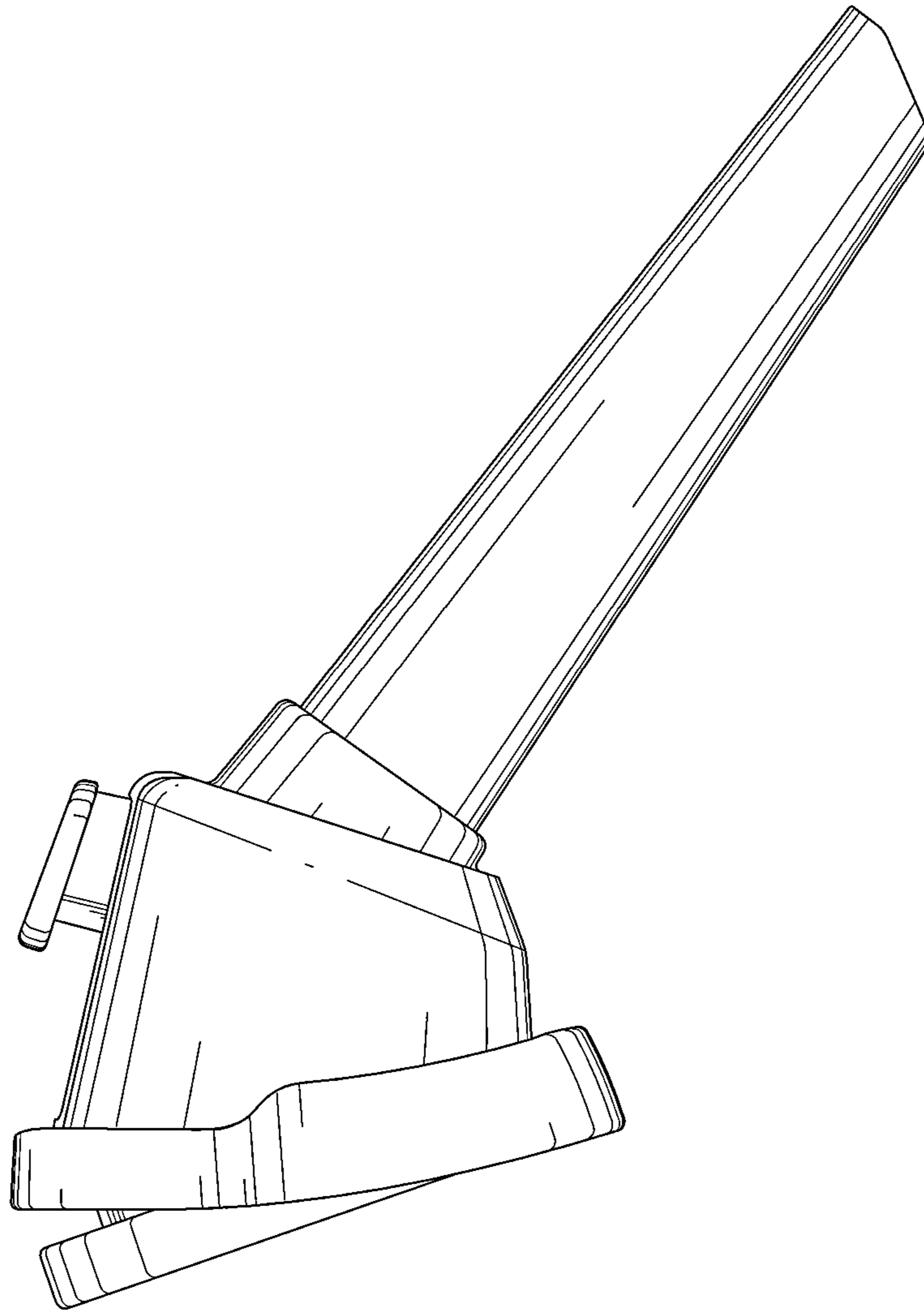


FIG. 9

