



US00D722728S

(12) **United States Design Patent**
Renforth et al.

(10) **Patent No.:** **US D722,728 S**
(45) **Date of Patent:** **** Feb. 17, 2015**

(54) **PET CARRIER**

(71) Applicants: **Jack William Renforth**, Arlington, TX (US); **Ann Hanson**, Ionia, MI (US); **Paul Fair**, Denver, CO (US); **Jaime Kimmerfeld**, Greeley, CO (US); **Roy Swanson**, Littleton, CO (US)

(72) Inventors: **Jack William Renforth**, Arlington, TX (US); **Ann Hanson**, Ionia, MI (US); **Paul Fair**, Denver, CO (US); **Jaime Kimmerfeld**, Greeley, CO (US); **Roy Swanson**, Littleton, CO (US)

(73) Assignee: **Doskocil Manufacturing Company, Inc.**, Arlington, TX (US)

(**) Term: **14 Years**

(21) Appl. No.: **29/449,224**

(22) Filed: **Mar. 14, 2013**

(51) **LOC (10) Cl.** **30-02**

(52) **U.S. Cl.**
USPC **D30/109**

(58) **Field of Classification Search**
USPC D30/108-109, 112-113, 118-119;
119/161, 165-167, 416, 452-456, 459,
119/461, 465, 468, 472, 474, 482, 495-502,
119/512-513, 622, 28.5; D3/245-246, 273,
D3/276, 289, 301, 303
See application file for complete search history.

(56) **References Cited**

U.S. PATENT DOCUMENTS

D109,553 S * 5/1938 Doppelt D3/289
D367,359 S * 2/1996 Smith D3/273

D398,082 S * 9/1998 Martz D30/109
5,839,392 A * 11/1998 Pemberton et al. 119/498
D442,748 S * 5/2001 Farrugia D30/109
6,394,036 B2 * 5/2002 Burns et al. 119/497
D498,884 S * 11/2004 Metzger D30/109
6,866,009 B2 * 3/2005 Smith et al. 119/840
7,044,083 B2 * 5/2006 Farmer et al. 119/474
D548,408 S * 8/2007 Martz D30/109
D549,400 S * 8/2007 Gold et al. D30/109
D575,461 S * 8/2008 Cannon et al. D30/109
7,789,044 B2 * 9/2010 McGrade 119/496
D647,301 S * 10/2011 Sosnovsky D3/289
8,117,993 B2 * 2/2012 Farmer et al. 119/499
D662,264 S * 6/2012 Chau et al. D30/109
D677,011 S * 2/2013 Cirincione et al. D30/109
D685,952 S * 7/2013 Dixon D30/109

* cited by examiner

Primary Examiner — Cathy A MacCormac

(74) *Attorney, Agent, or Firm* — Eckert Seamans Cherin & Mellott, LLC; Brij K. Agarwal

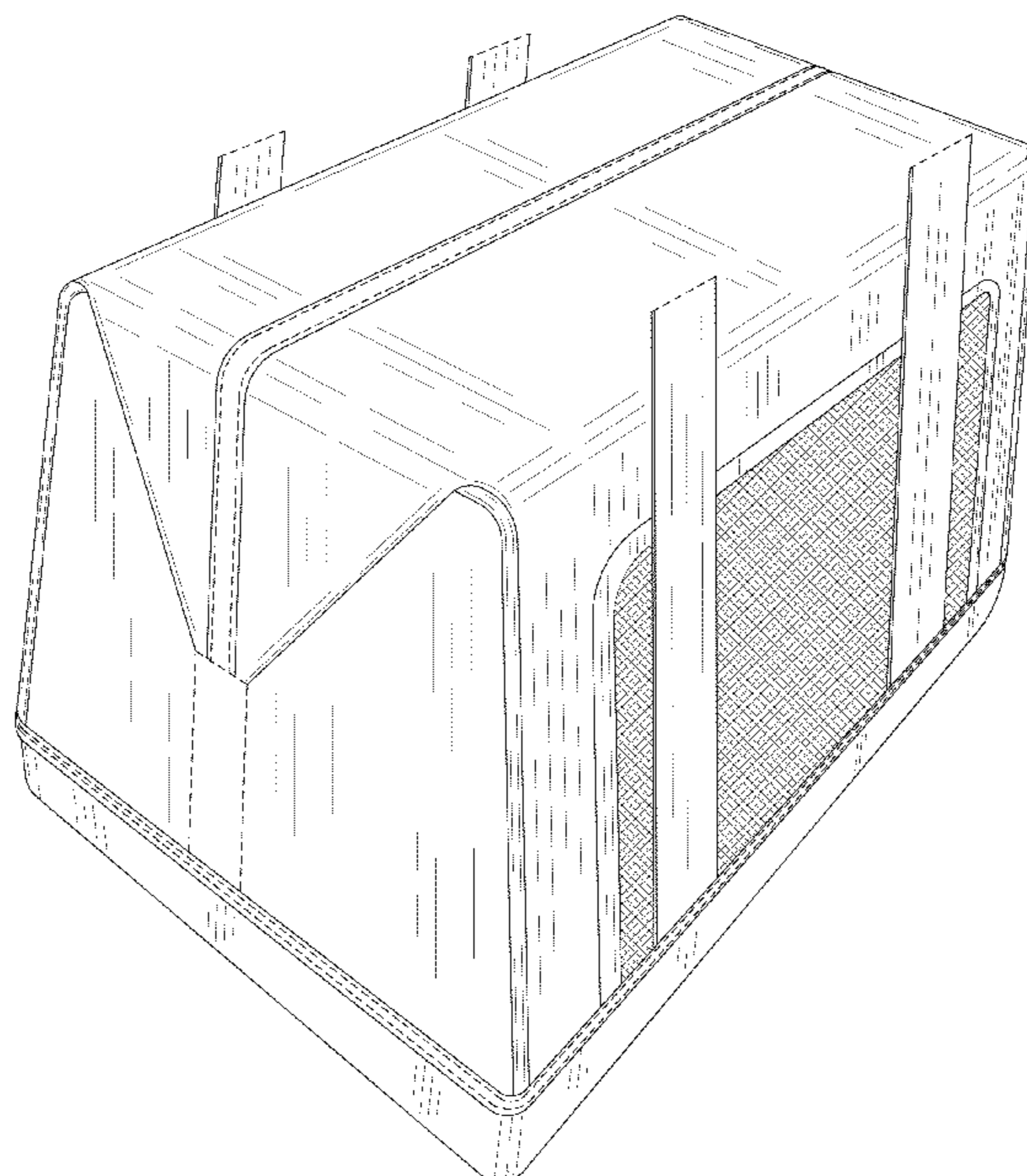
(57) **CLAIM**

The ornamental design for a pet carrier, as shown and described.

DESCRIPTION

FIG. 1 is a perspective view of the pet carrier; FIG. 2 is left side elevational view thereof; FIG. 3 is a front elevational view thereof; FIG. 4 is a right side elevational view thereof; FIG. 5 is a rear elevational view thereof; FIG. 6 is a top plan view thereof; and, FIG. 7 is a bottom plan view thereof. The broken lines are intended to illustrate non-claimed subject matter, are for illustration only, and form no part of the claimed design.

1 Claim, 7 Drawing Sheets



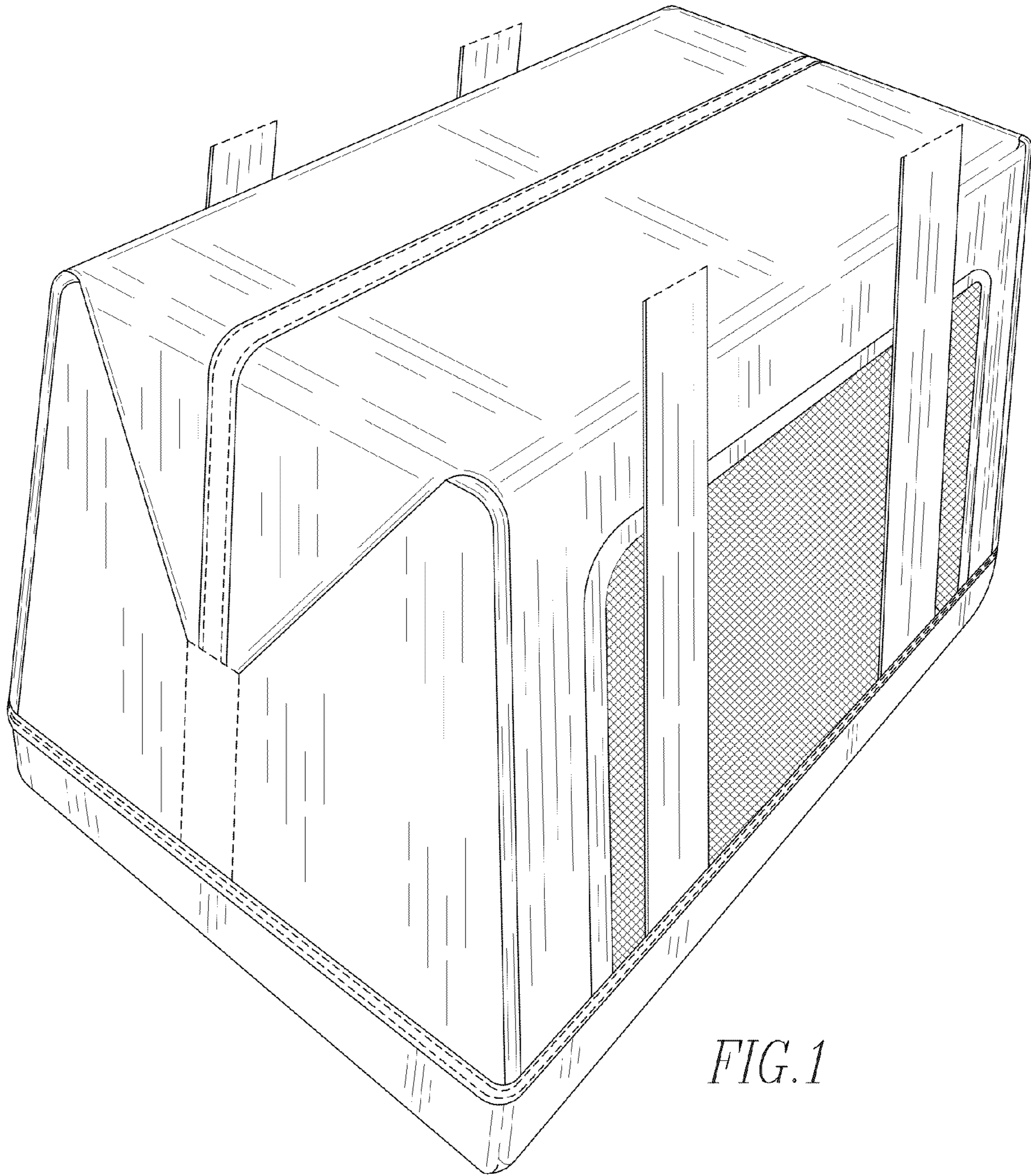


FIG. 1

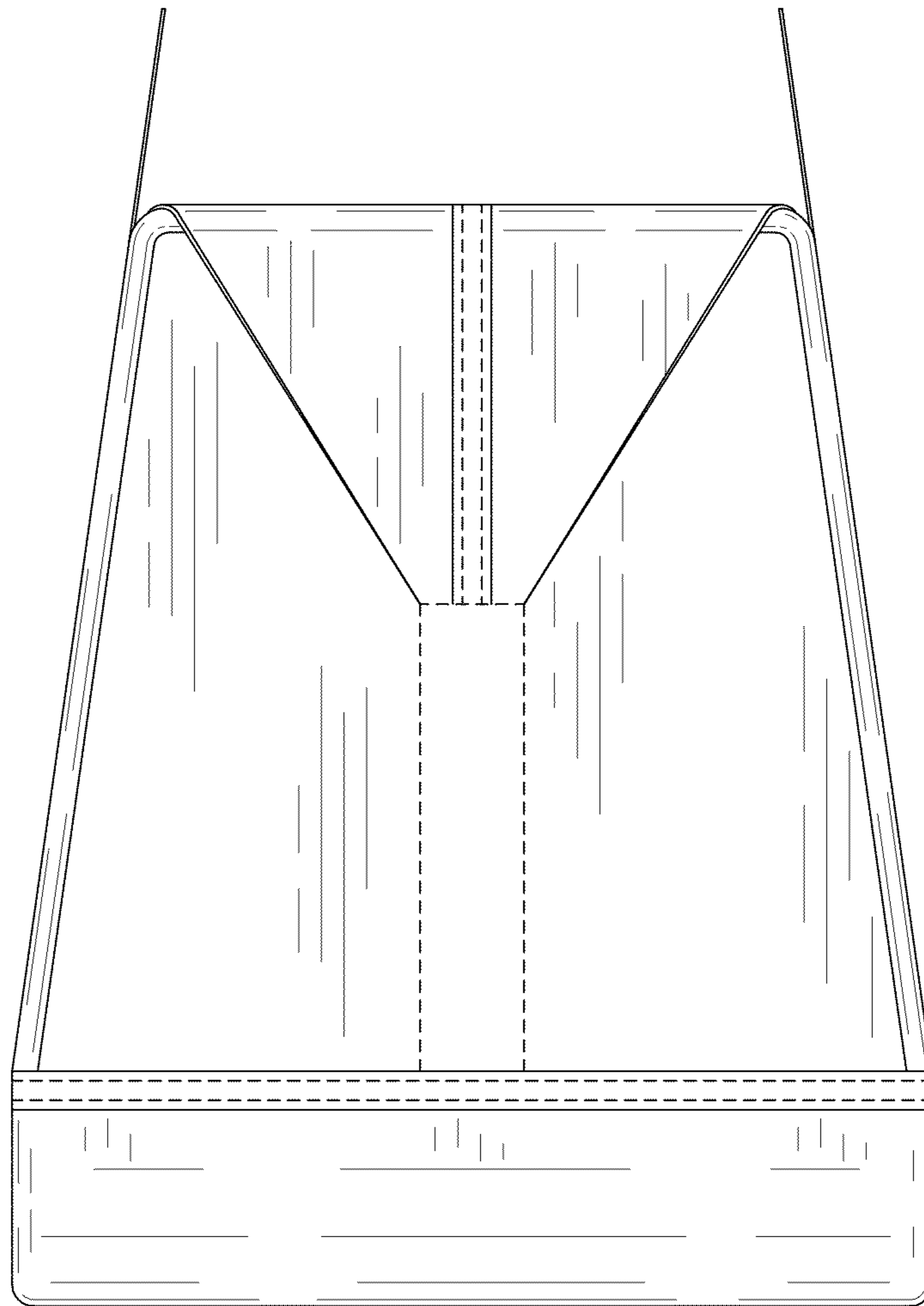


FIG. 2

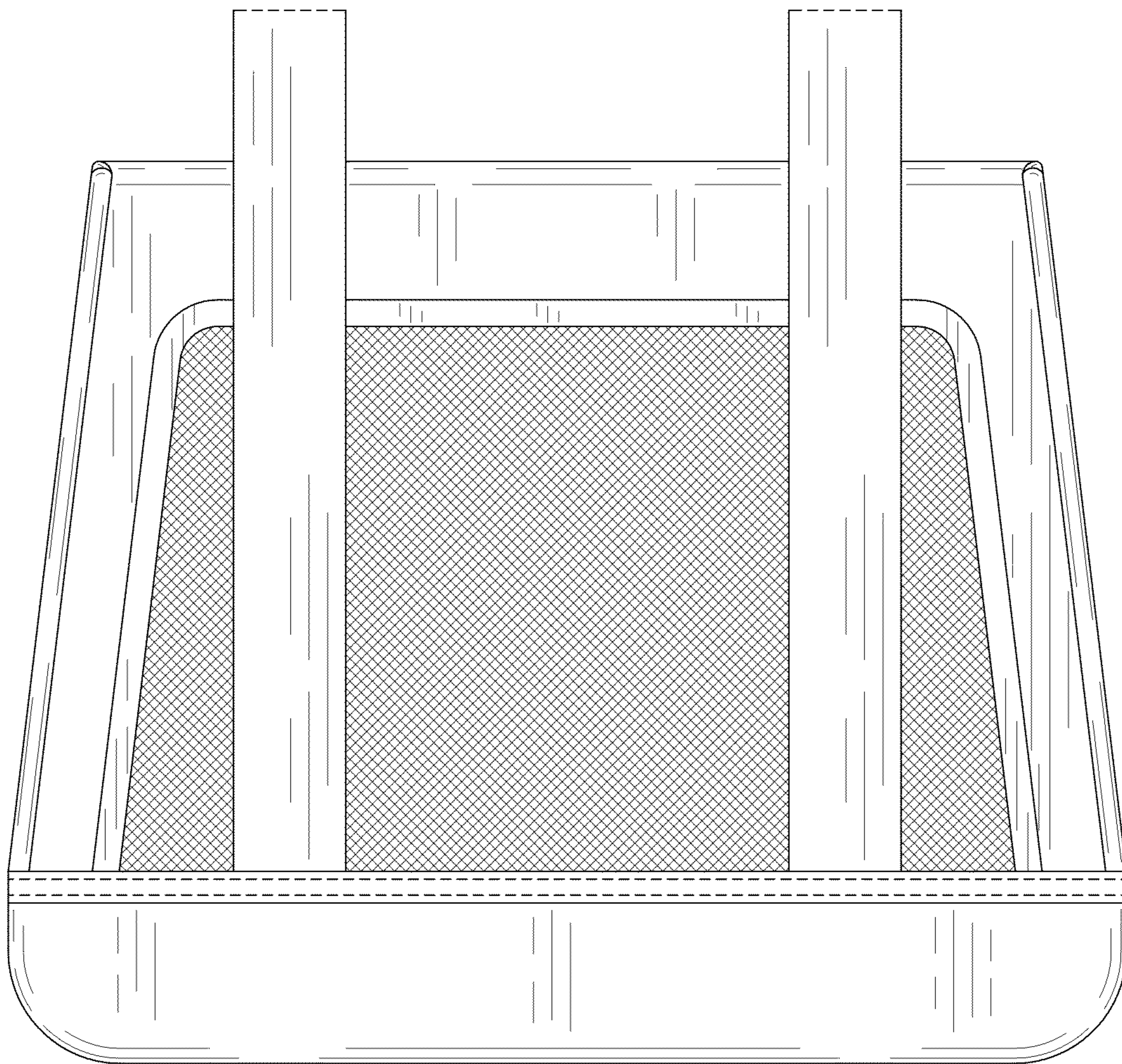


FIG. 3

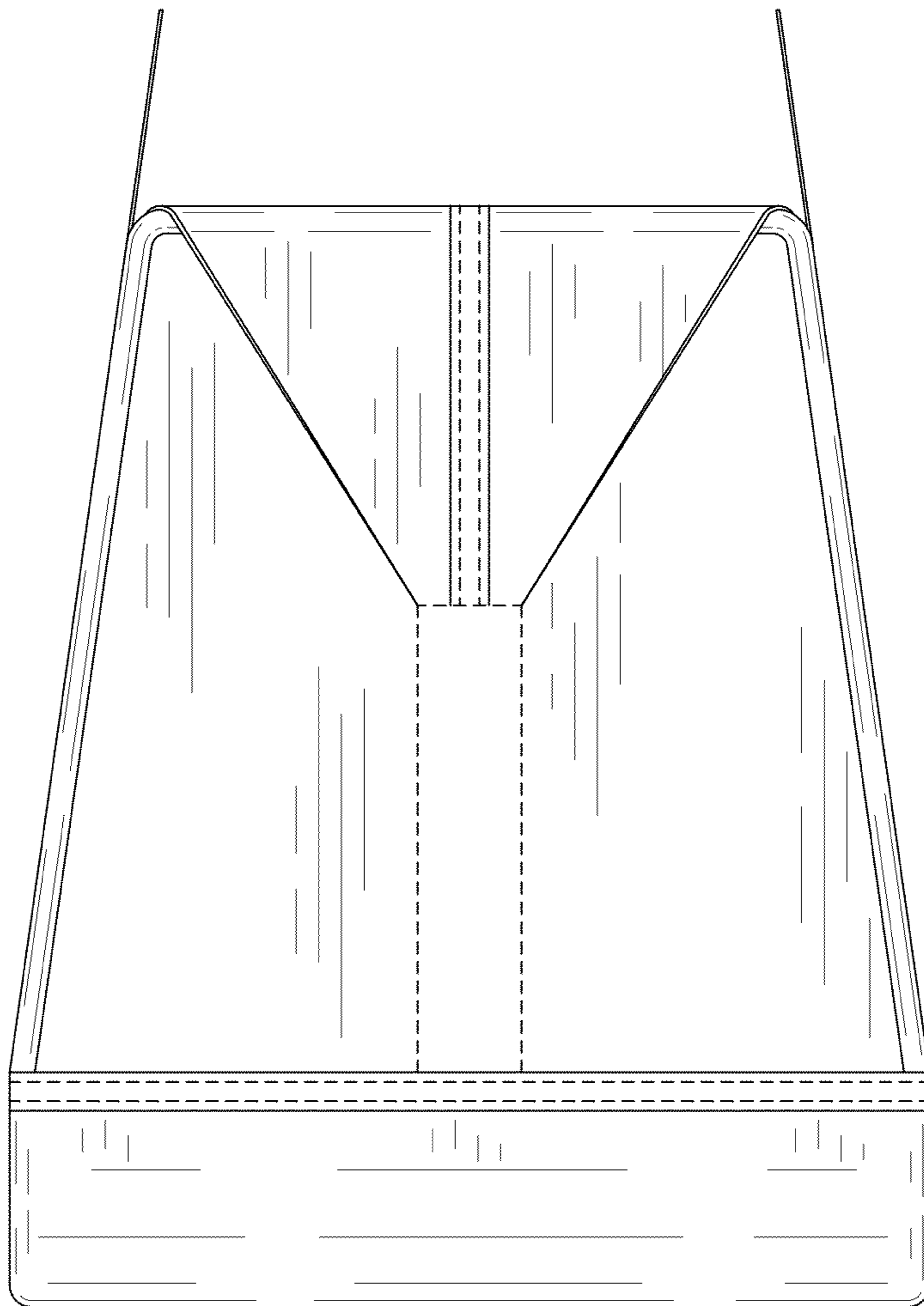


FIG. 4

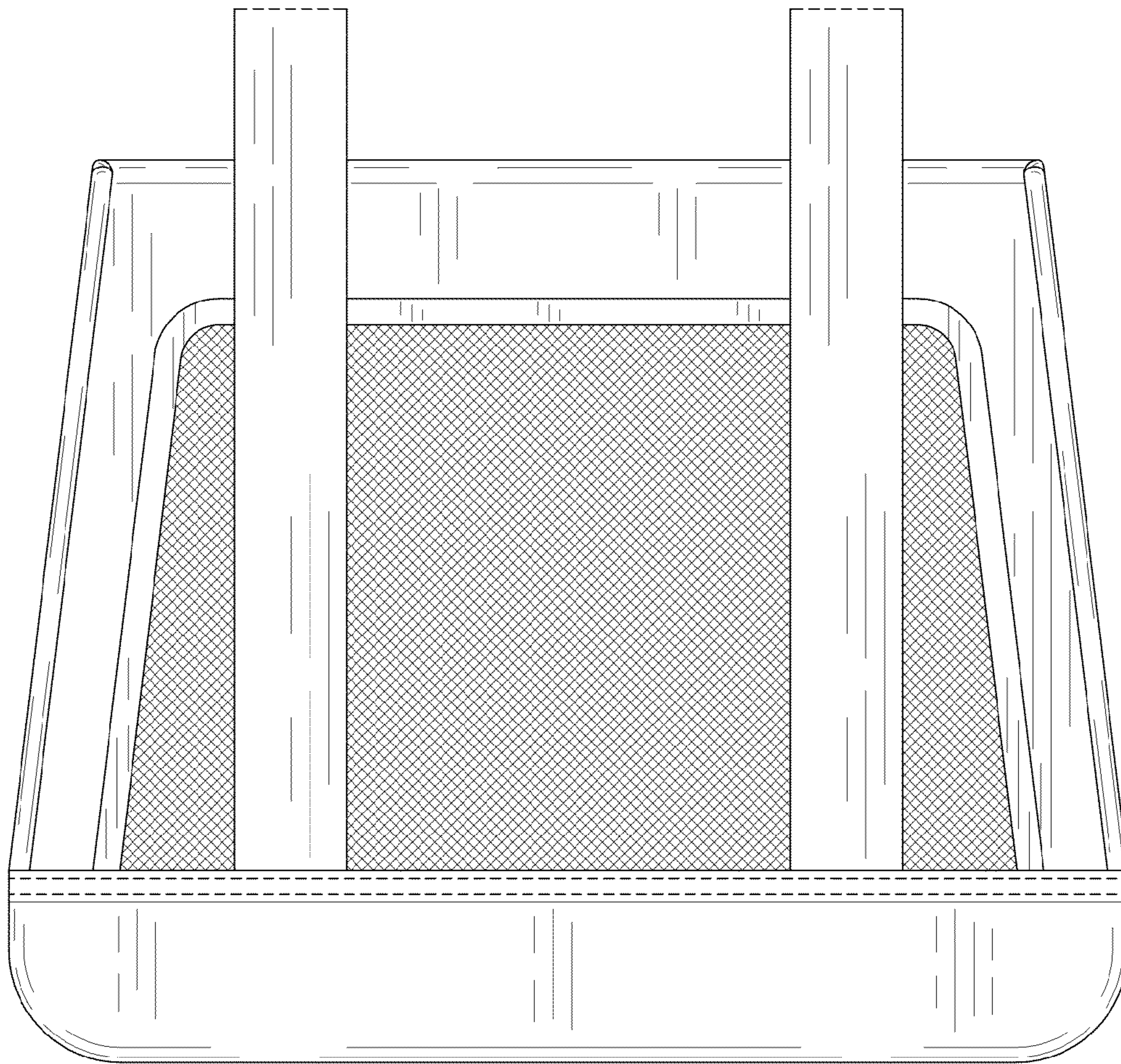


FIG. 5

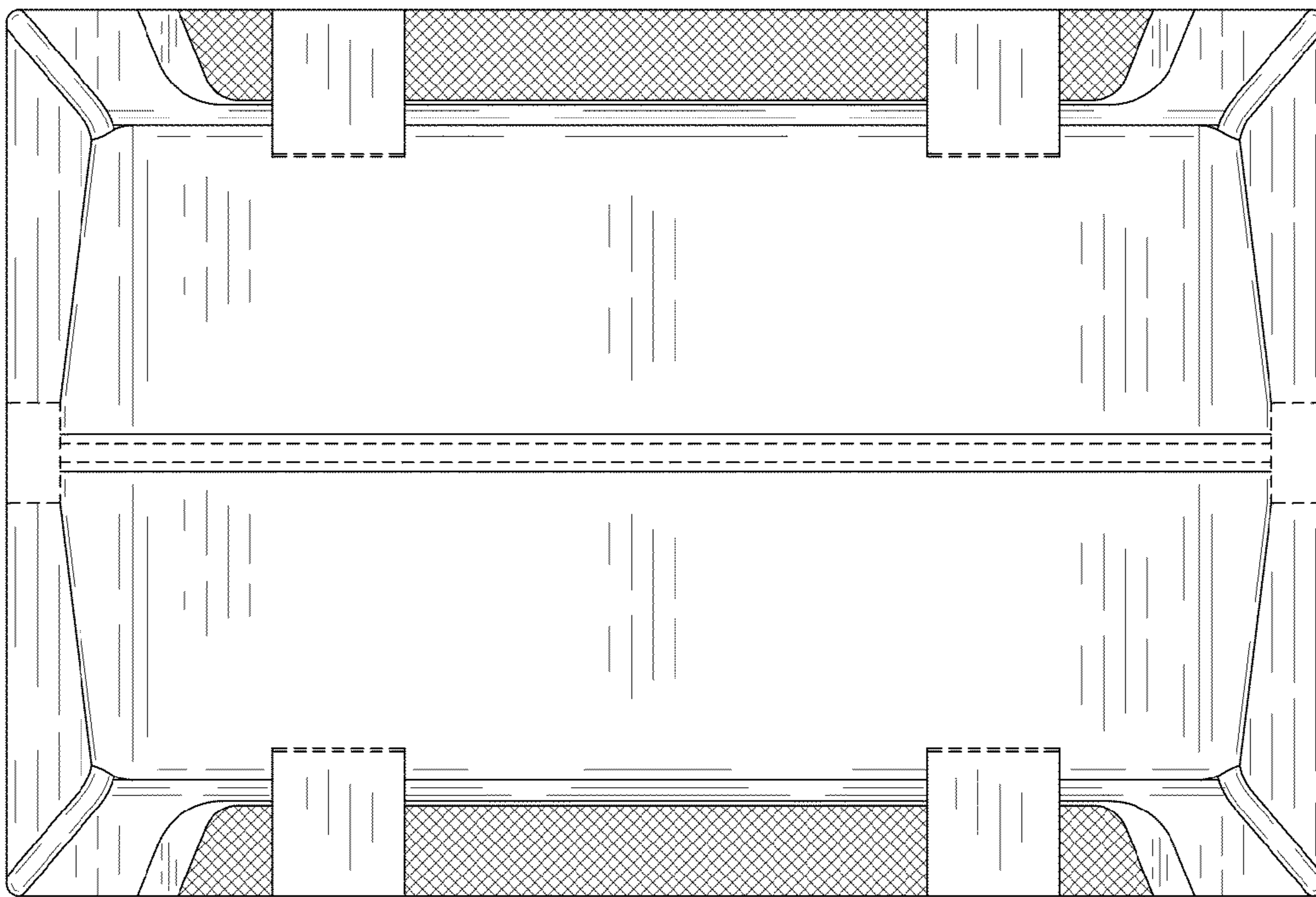


FIG. 6

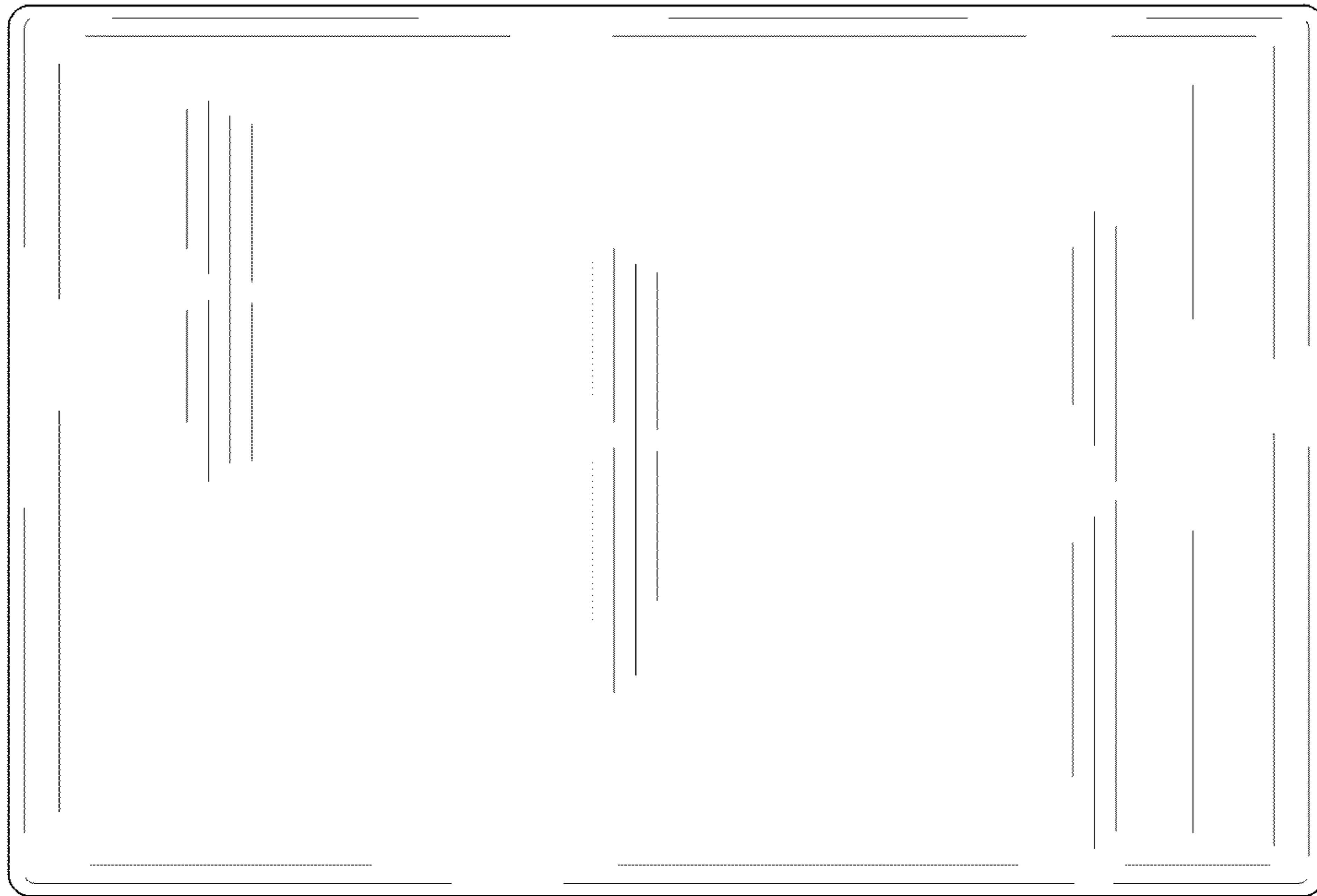


FIG. 7