



US00D722725S

(12) **United States Design Patent**
Jin

(10) **Patent No.:** **US D722,725 S**
(45) **Date of Patent:** **** Feb. 17, 2015**

(54) **COSMETIC CASE**

(71) Applicant: **Won Jin**, Seoul (KR)

(72) Inventor: **Won Jin**, Seoul (KR)

(**) Term: **14 Years**

(21) Appl. No.: **29/479,144**

(22) Filed: **Jan. 13, 2014**

(30) **Foreign Application Priority Data**

Jul. 16, 2013 (KR) 30-2013-0036597

(51) **LOC (10) Cl.** **28-03**

(52) **U.S. Cl.**
USPC **D28/83**

(58) **Field of Classification Search**

CPC A45D 33/006; A45D 33/003; A45D
33/04-33/16; A45D 33/025; A45D 33/02;
A45D 33/20; A45D 33/22; A45D 33/24;
A45D 33/26; A45D 33/28; A45D 33/18;
A45D 40/22; A45D 40/222; A45D 40/24;
A45D 42/02

USPC D28/64.1-64.7, 76-84; 206/581, 823;
132/286-318; D9/503-505, 421, 428,
D9/447; D3/901; 220/4.27

See application file for complete search history.

(56) **References Cited**

U.S. PATENT DOCUMENTS

D486,608 S * 2/2004 Cofield D28/83
D583,997 S * 12/2008 Thorpe D28/83

D627,931 S * 11/2010 Barresi et al. D28/83
2004/0206370 A1 * 10/2004 Byun 132/287
2012/0090637 A1 * 4/2012 Holloway 132/299

* cited by examiner

Primary Examiner — Jennifer Rivard

(74) *Attorney, Agent, or Firm* — Honigman Miller Schwartz
and Cohn LLP

(57) **CLAIM**

An ornamental design for a cosmetic case, as shown and
described.

DESCRIPTION

FIG. 1 is a perspective view of an embodiment of a cosmetic
case;

FIG. 2 is another perspective view of the cosmetic case of
FIG. 1;

FIG. 3 is a front view of the cosmetic case of FIG. 1;

FIG. 4 is a back view of the cosmetic case of FIG. 1;

FIG. 5 is a right view of the cosmetic case of FIG. 1;

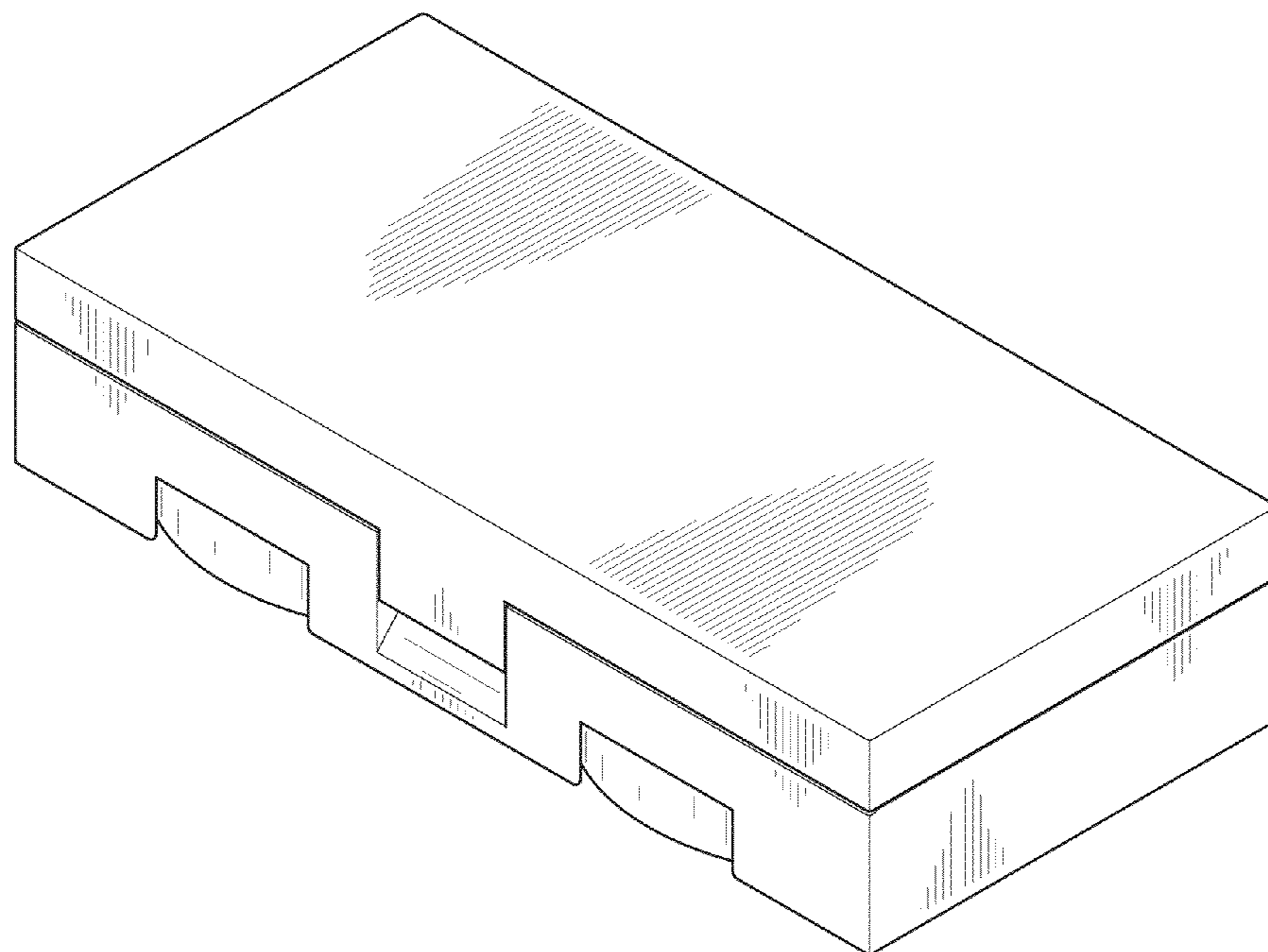
FIG. 6 is a left view of the cosmetic case of FIG. 1;

FIG. 7 is a top view of the cosmetic case of FIG. 1; and,

FIG. 8 is a bottom view of the cosmetic case of FIG. 1.

The broken lines are for illustrative purposes and form no part
of the present invention.

1 Claim, 5 Drawing Sheets



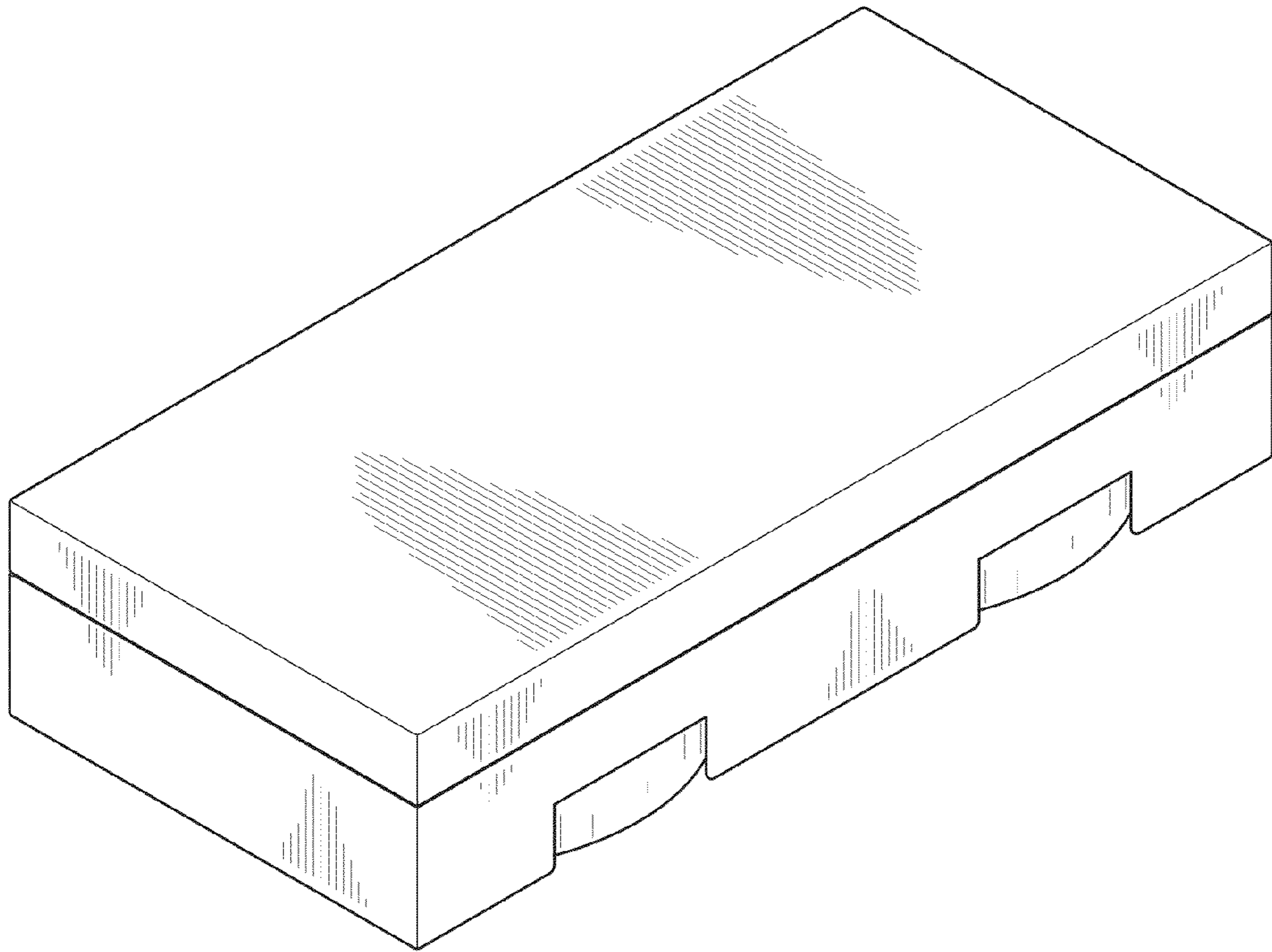


FIG. 1

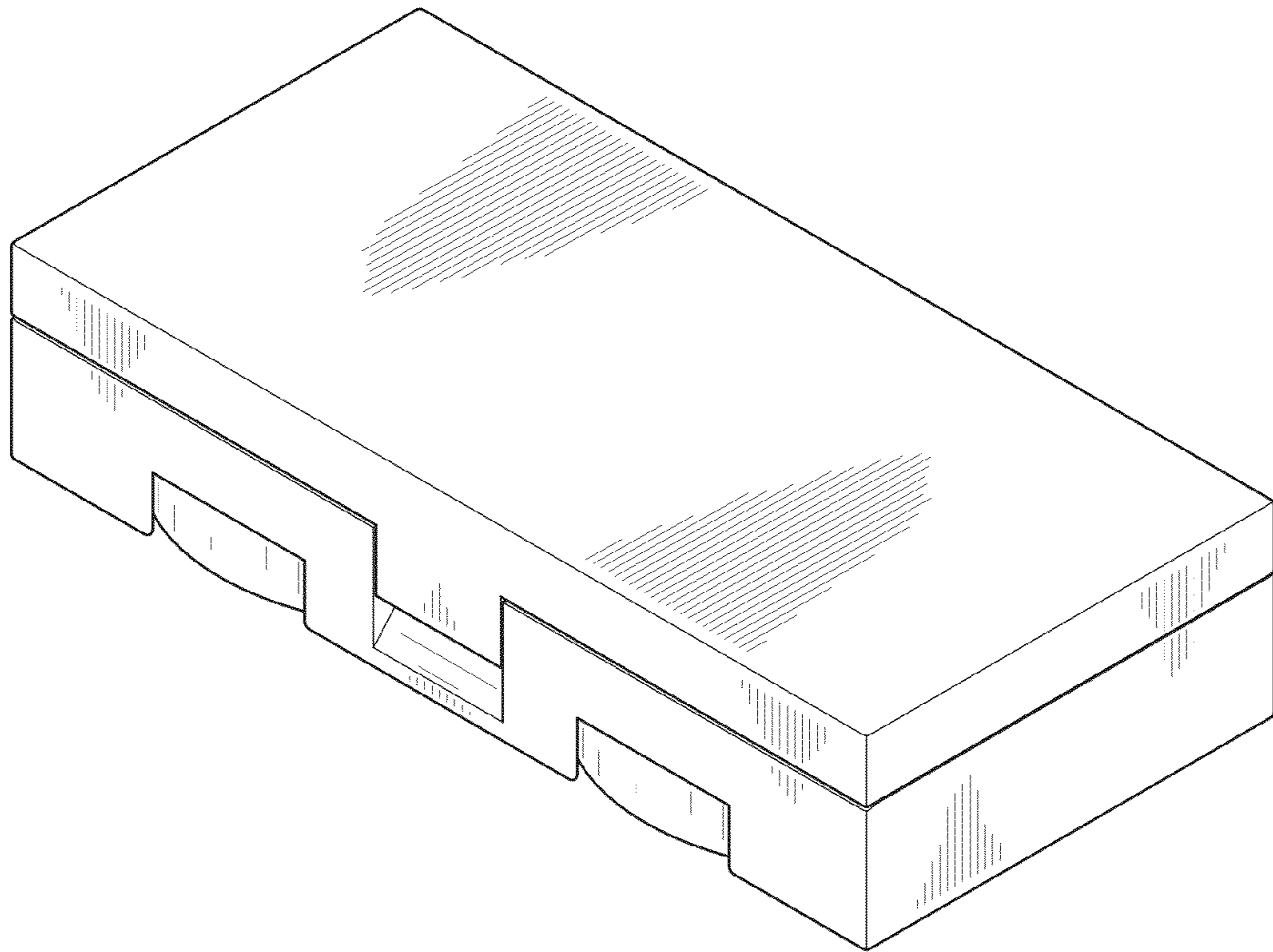


FIG. 2

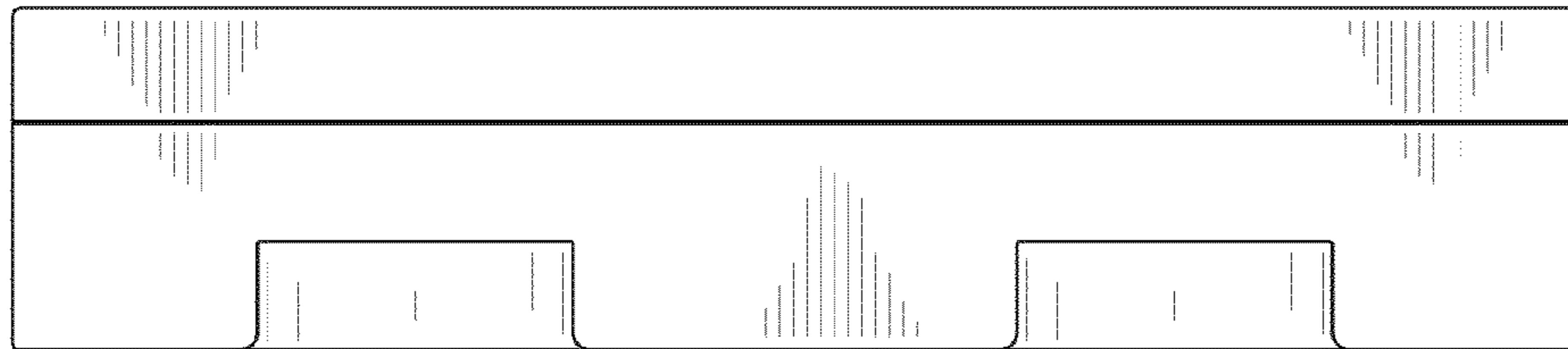


FIG. 3

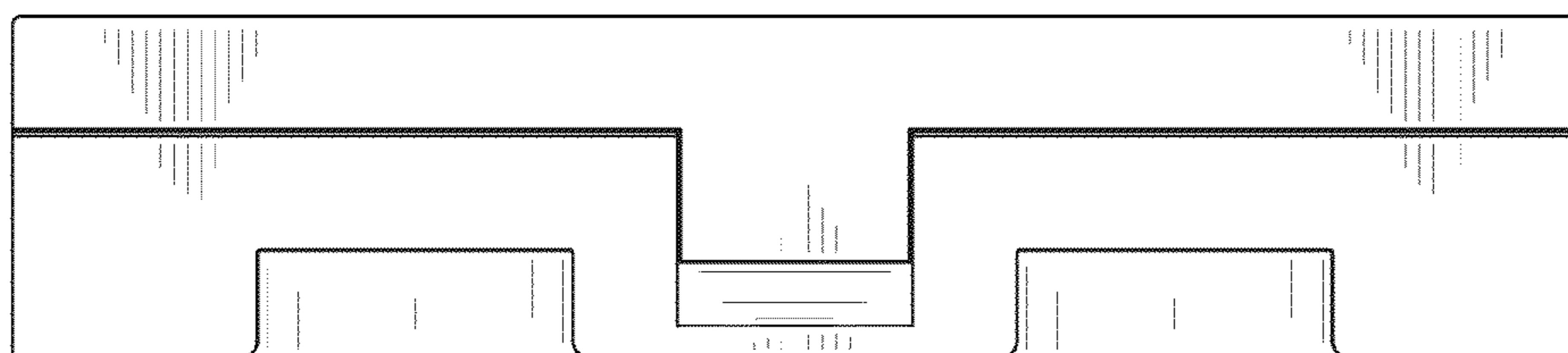


FIG. 4

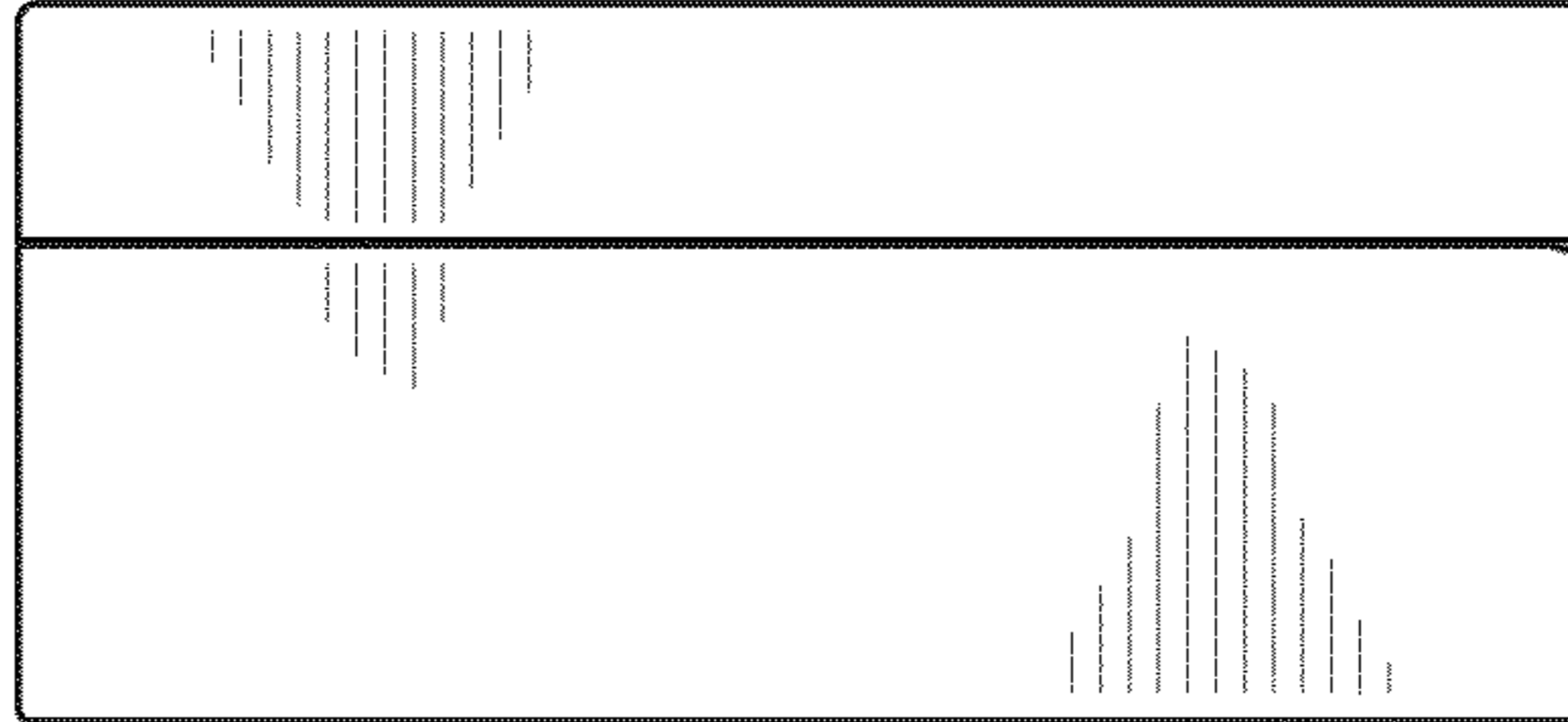


FIG. 5

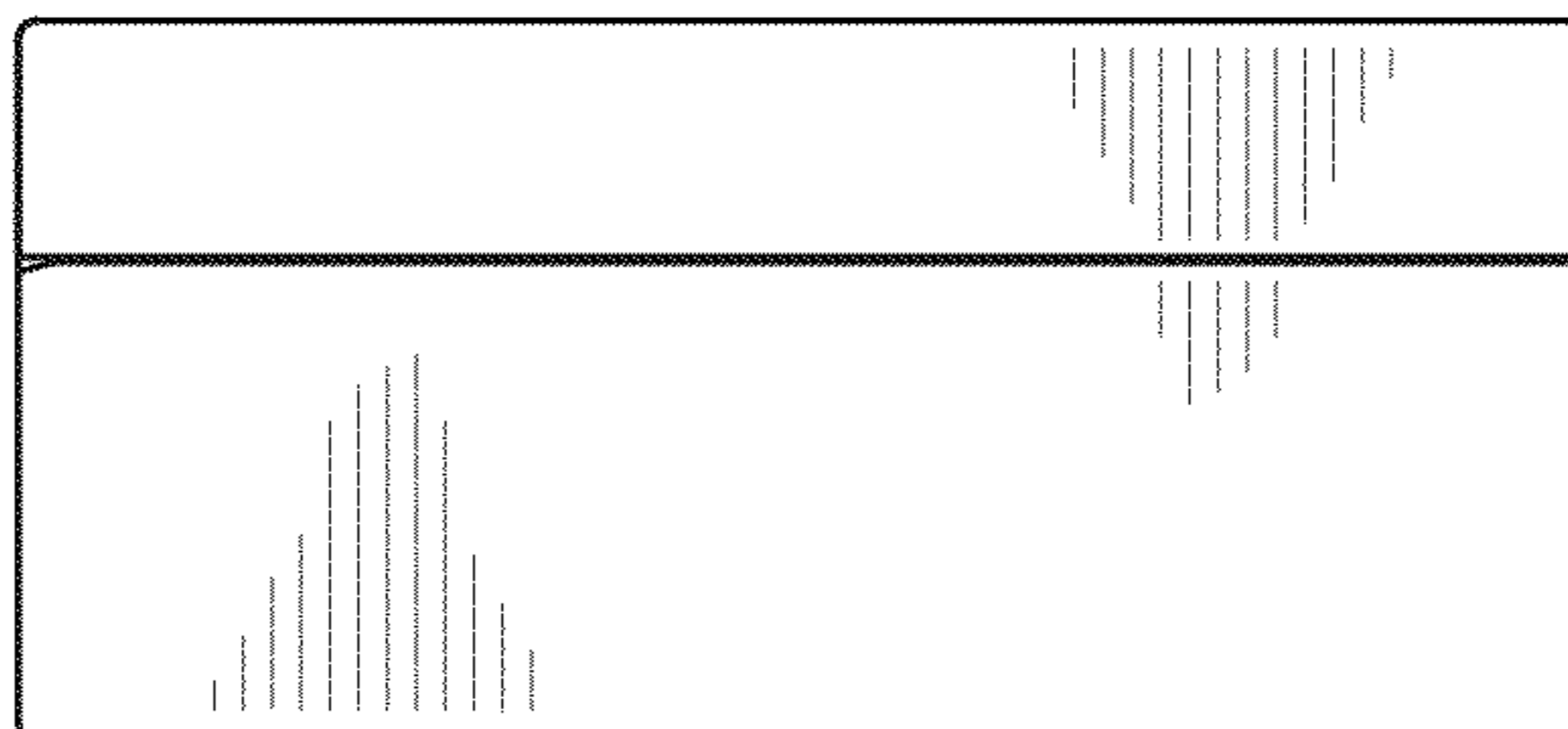


FIG. 6

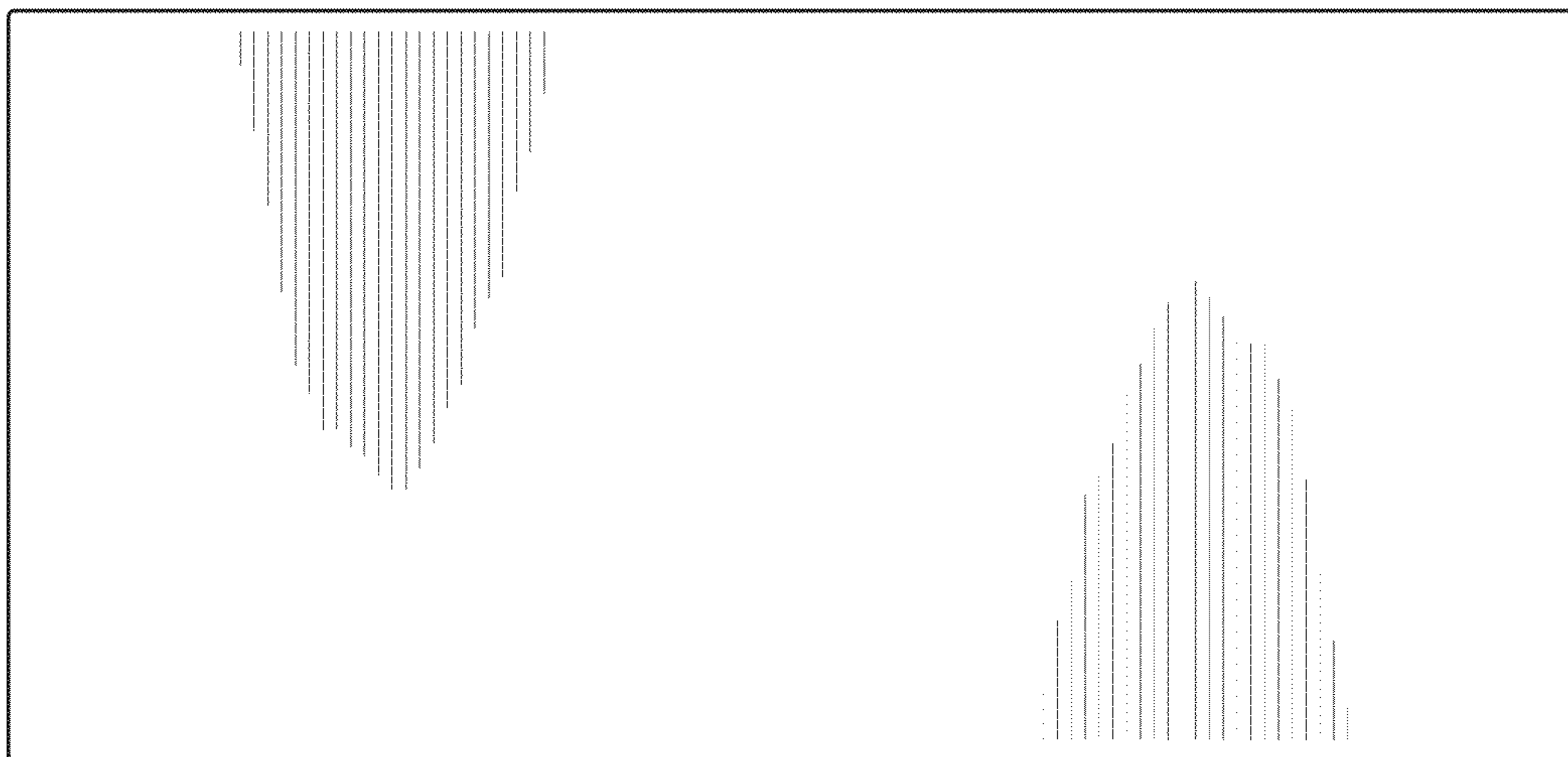


FIG. 7

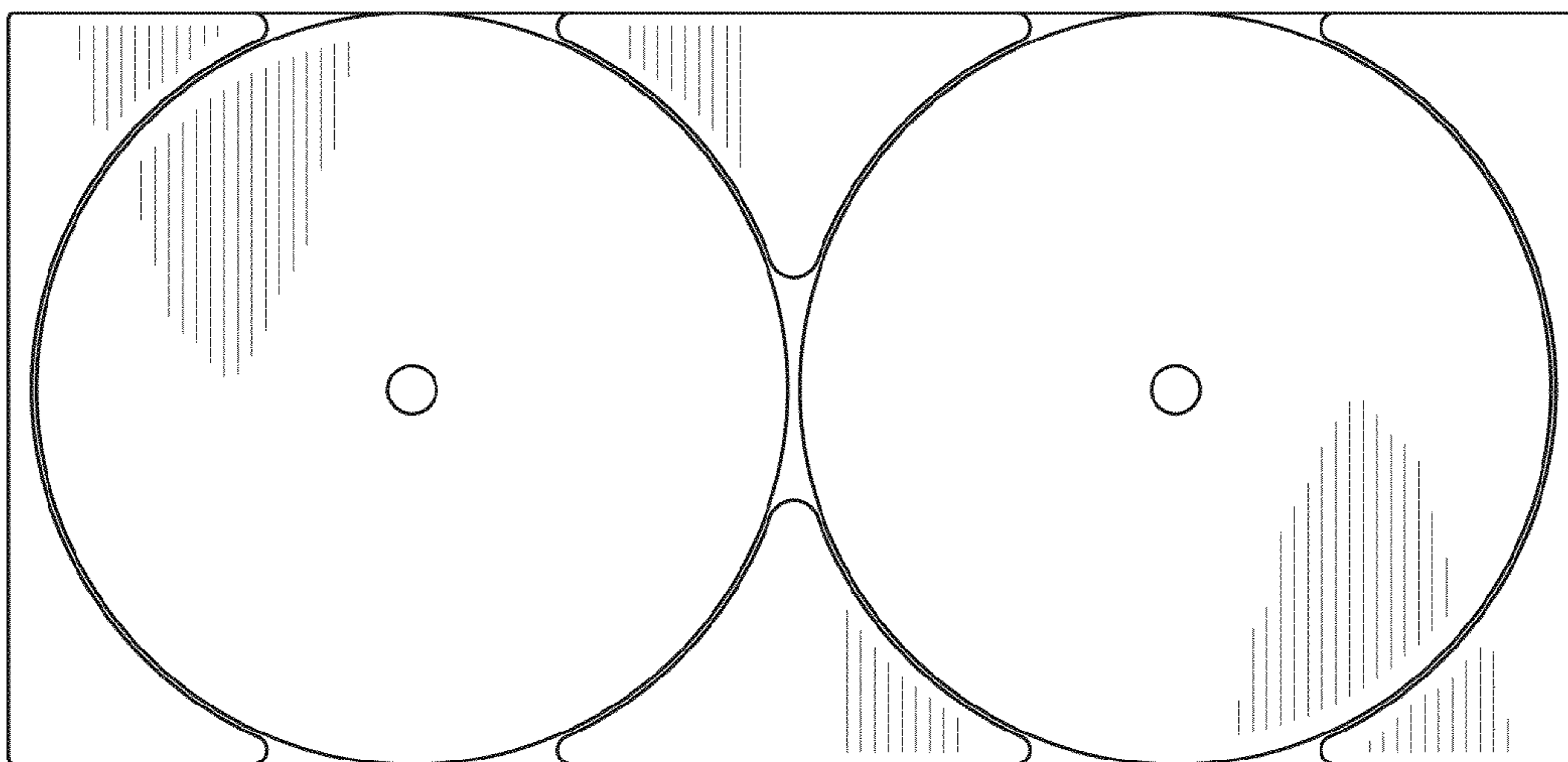


FIG. 8