



US00D722722S

(12) **United States Design Patent**  
**Ross**

(10) **Patent No.:** **US D722,722 S**  
(45) **Date of Patent:** **\*\* Feb. 17, 2015**

(54) **SMOKING DEVICE ADAPTER**

(71) Applicant: **Edmund Ross**, Simi Valley, CA (US)

(72) Inventor: **Edmund Ross**, Simi Valley, CA (US)

(\*\*) Term: **14 Years**

(21) Appl. No.: **29/452,232**

(22) Filed: **Apr. 13, 2013**

(51) **LOC (10) Cl.** ..... **27-02**

(52) **U.S. Cl.**  
USPC ..... **D27/167**

(58) **Field of Classification Search**

USPC ..... D27/162, 163, 165, 167, 168, 169, 180,  
D27/194, 196; D23/262, 269; D9/418, 428,  
D9/429, 435, 444, 447, 448, 449, 453, 454,  
D9/520; 131/173, 185, 194, 225, 275, 328;  
99/295; D24/121, 129, 130; D7/391,  
D7/398, 392, 700

See application file for complete search history.

(56) **References Cited**

**U.S. PATENT DOCUMENTS**

2,061,685	A	*	11/1936	Wheaton	.....	141/381
D258,526	S	*	3/1981	Nederman	.....	D23/262
D258,693	S		3/1981	L'Heureux		
D273,369	S	*	4/1984	Fantozzi	.....	D9/436
D280,802	S	*	10/1985	Cho	.....	D9/446
D281,582	S	*	12/1985	Borkan et al.	.....	D9/437
4,566,508	A	*	1/1986	Bowyer	.....	141/381
D286,027	S	*	10/1986	Waher et al.	.....	D9/435
D292,621	S		11/1987	Graham		
D304,301	S		10/1989	Moss et al.		
D402,354	S		12/1998	Strong et al.		
D423,307	S		4/2000	Dittmann		
D435,090	S		12/2000	Stout		
D453,472	S	*	2/2002	Kwong	.....	D9/447
D474,111	S	*	5/2003	Lazaris	.....	D9/428
D479,995	S	*	9/2003	Duceppe	.....	D9/444
D484,577	S	*	12/2003	Brue et al.	.....	D23/259

D515,421	S	*	2/2006	Rossignol	.....	D9/448
D525,137	S	*	7/2006	Helps	.....	D9/528
D540,677	S	*	4/2007	Stull	.....	D9/449
D542,968	S		5/2007	Guan		
D589,764	S	*	4/2009	Randolph	.....	D7/700
D590,262	S	*	4/2009	Watson et al.	.....	D9/528
D595,570	S	*	7/2009	Moretti	.....	D9/434
D599,894	S		9/2009	Price		
D631,351	S	*	1/2011	Coon	.....	D9/453
D637,697	S		5/2011	Steiner		
D645,340	S	*	9/2011	Menard et al.	.....	D9/428
D649,625	S		11/2011	DeWitt		
D652,266	S	*	1/2012	Smyers	.....	D7/630
D655,796	S		3/2012	DeWitt		
D657,848	S		4/2012	Howson		
D658,807	S		5/2012	Aboushi		

(Continued)

*Primary Examiner* — Barbara Fox

*Assistant Examiner* — Chelsea Sealey

(74) *Attorney, Agent, or Firm* — Mark Wisnosky

(57) **CLAIM**

The ornamental design for a smoking device adapter, as shown and described.

**DESCRIPTION**

FIG. 1 is a perspective front view of a smoking device adapter showing the new design.

FIG. 2 is a perspective bottom view of the design shown in FIG. 1.

FIG. 3 is a front view of the design shown in FIG. 1.

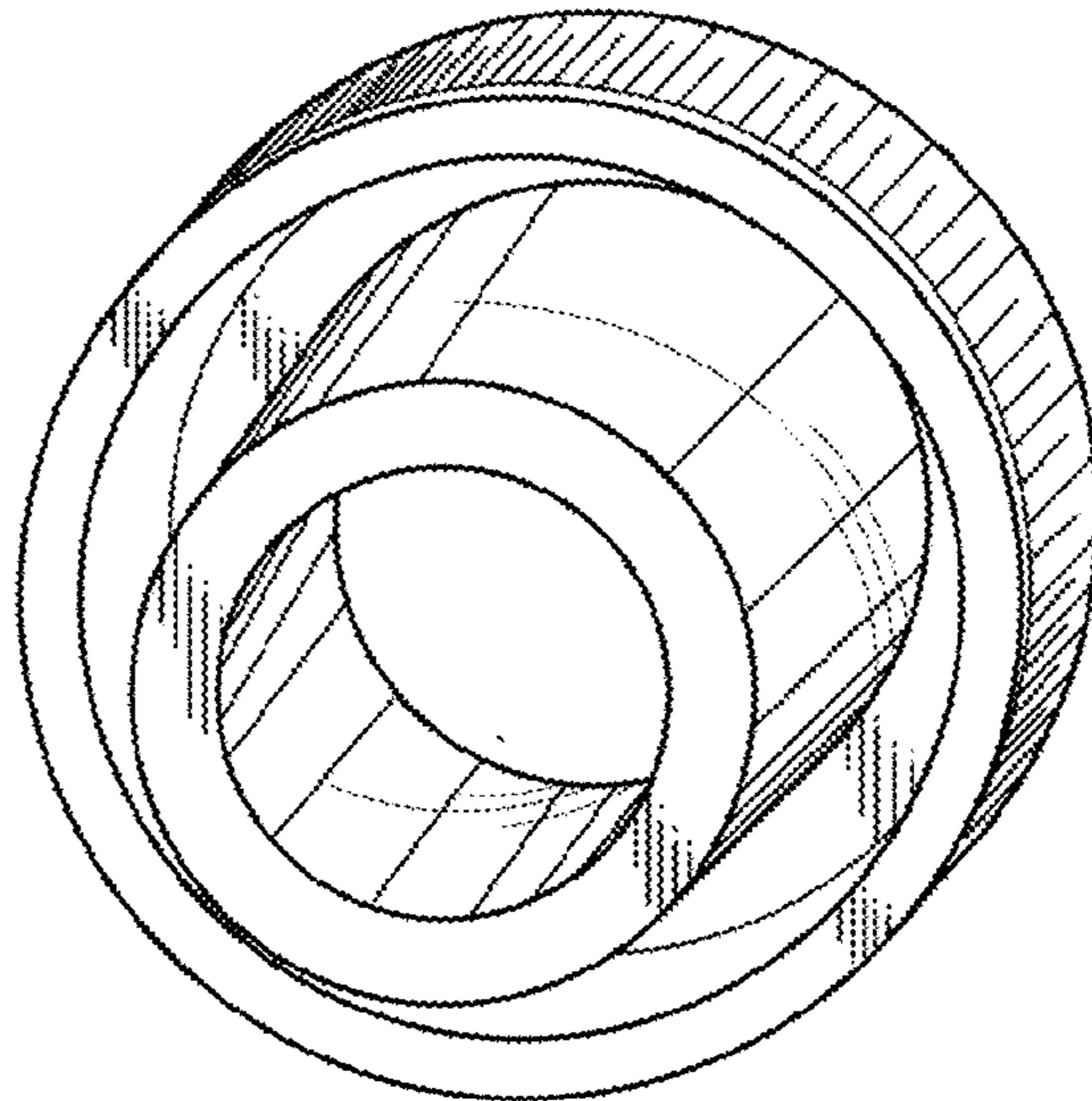
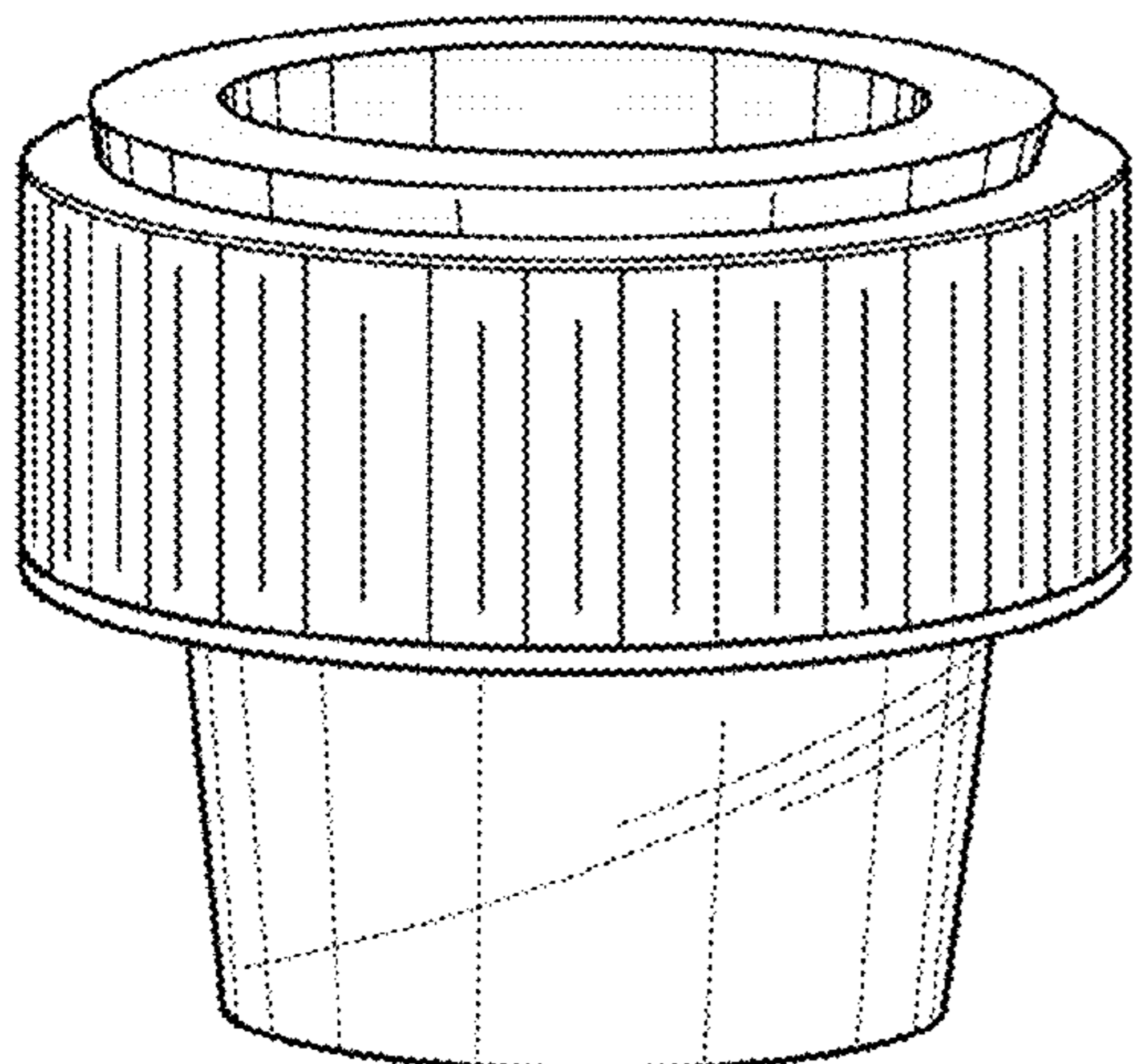
FIG. 4 is a back view of the design shown in FIG. 1.

FIG. 5 is a top view of the design shown in FIG. 1.

FIG. 6 is a bottom view of the design shown in FIG. 1; and, FIG. 7 is a perspective view of the design of FIG. 1 showing the design with a smoking device above the design and a bottle below the design.

The broken line showing of the smoking device and bottle represents environment and forms no part of the claimed design.

**1 Claim, 4 Drawing Sheets**



(56)

**References Cited**

U.S. PATENT DOCUMENTS

D660,149 S \* 5/2012 Grace ..... D9/447  
8,261,787 B2 \* 9/2012 Sanford ..... 141/319  
8,282,138 B2 \* 10/2012 Steiner ..... 285/256  
D677,427 S 3/2013 Ross

D696,388 S \* 12/2013 Letnik ..... D23/259  
D699,822 S \* 2/2014 Beaudoin ..... D23/267  
D707,555 S \* 6/2014 Vogel et al. .... D9/436  
D710,686 S \* 8/2014 Gowens ..... D9/429  
2008/0267709 A1 \* 10/2008 Terry ..... 405/43  
2013/0146070 A1 \* 6/2013 Ross ..... 131/173

\* cited by examiner

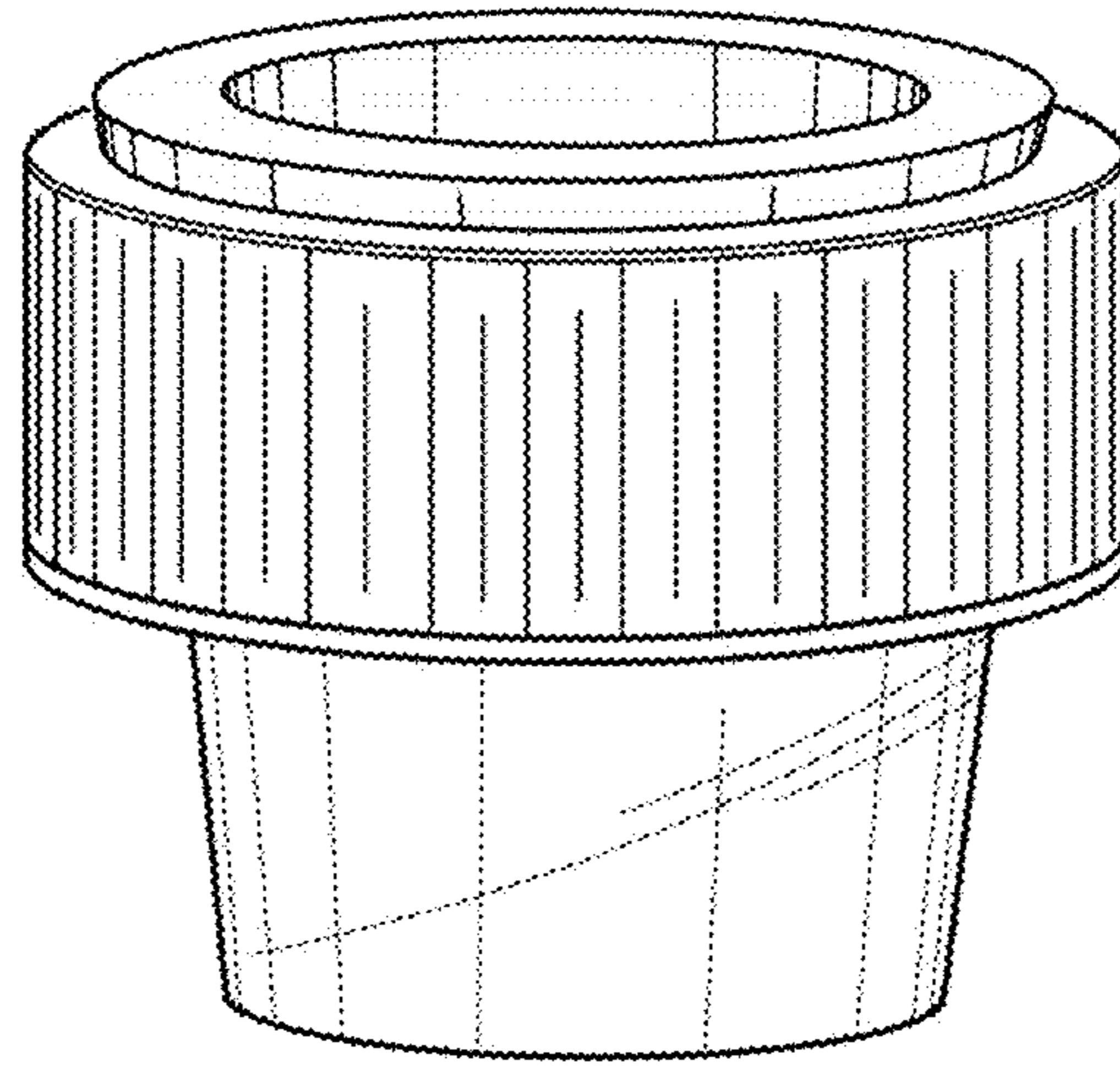


Figure 1

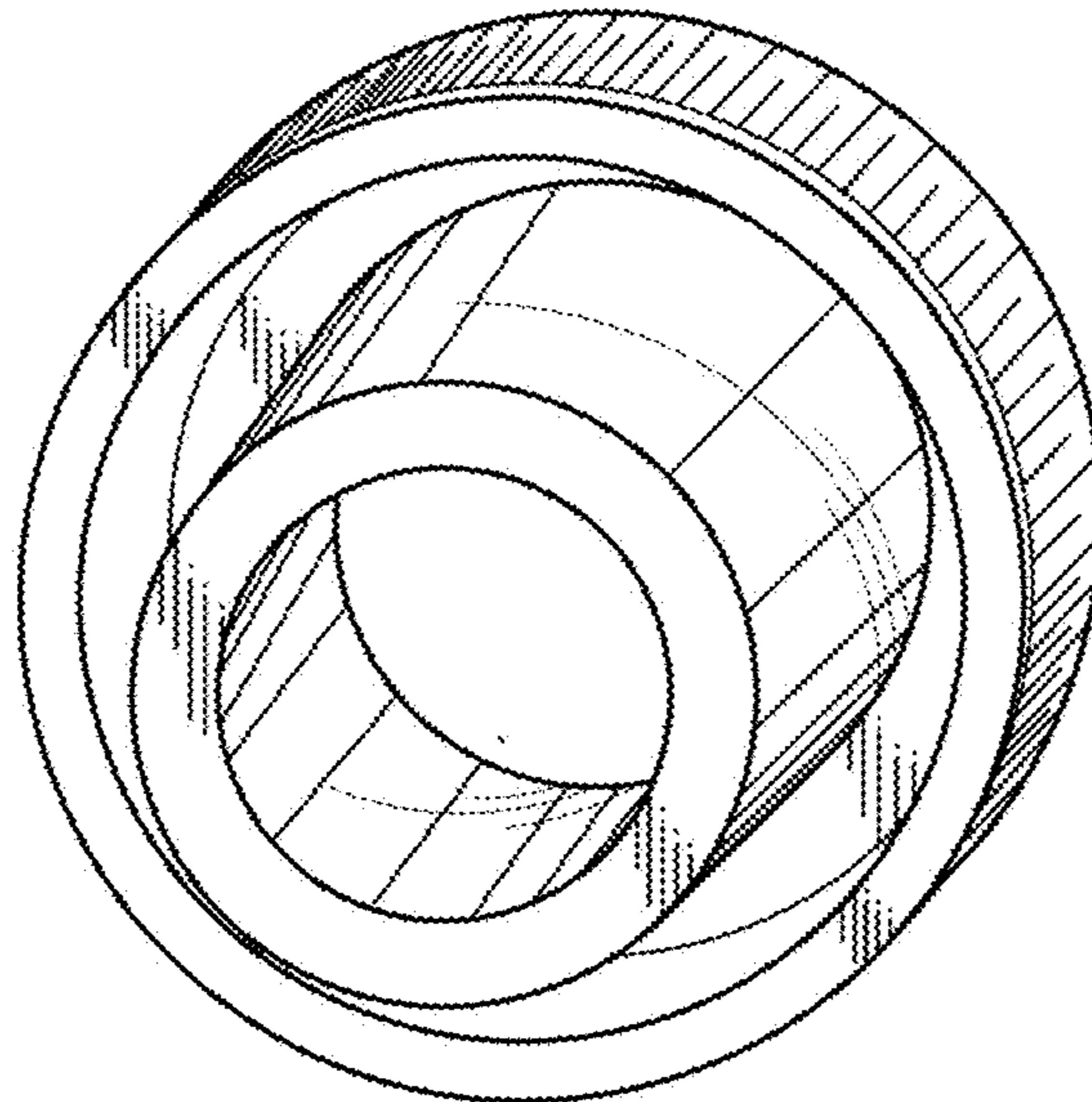


Figure 2



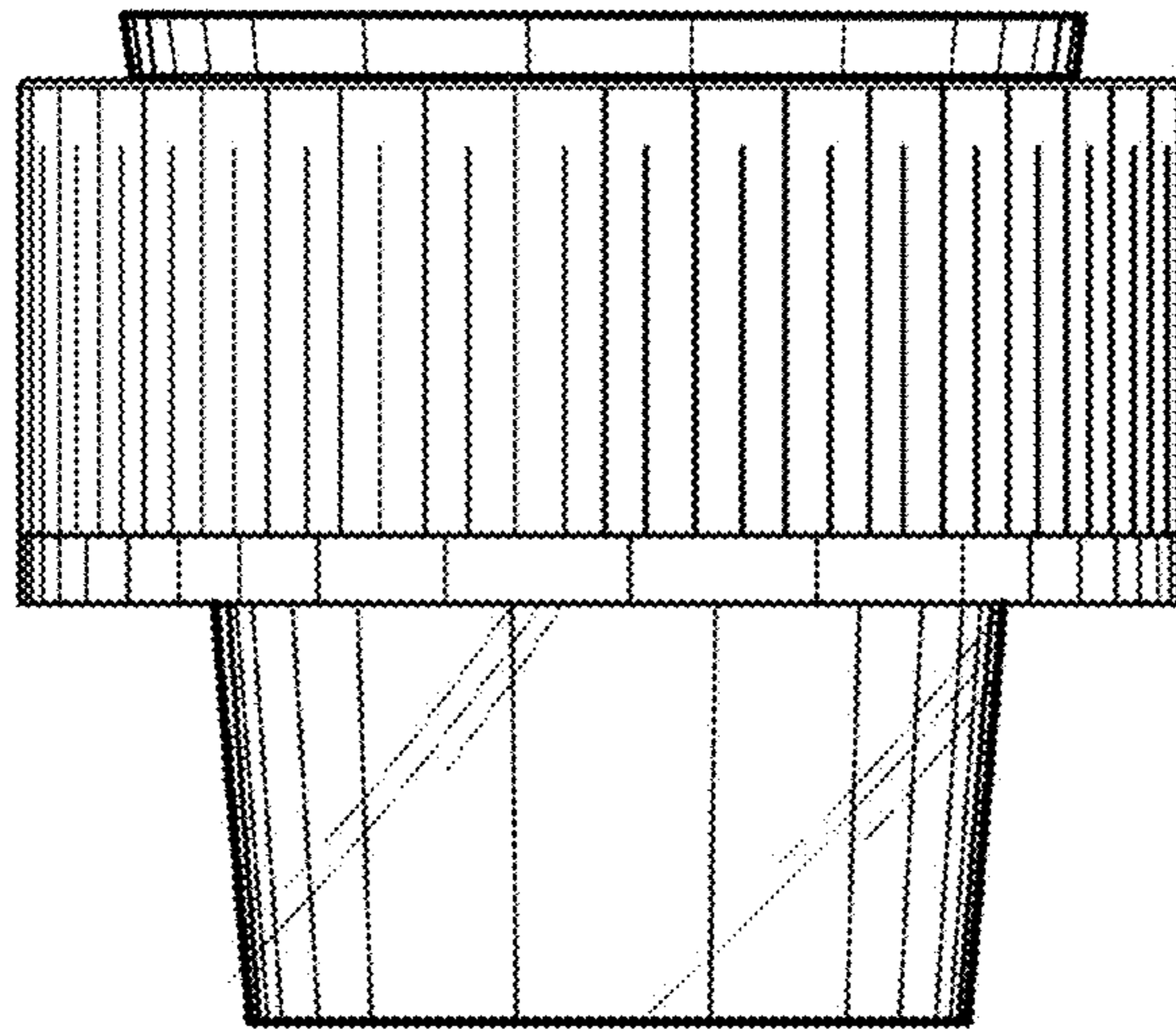


Figure 3

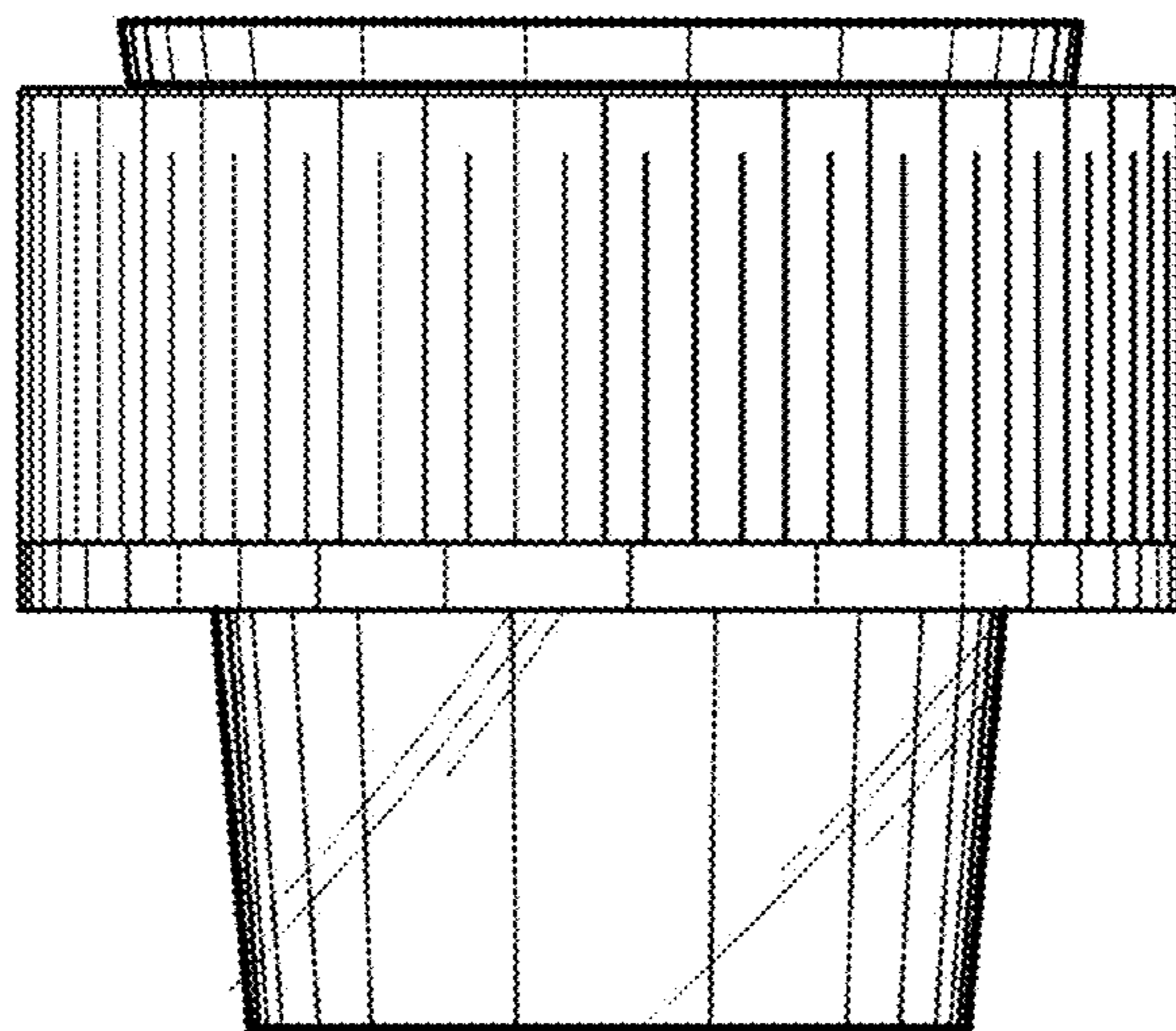


figure 4

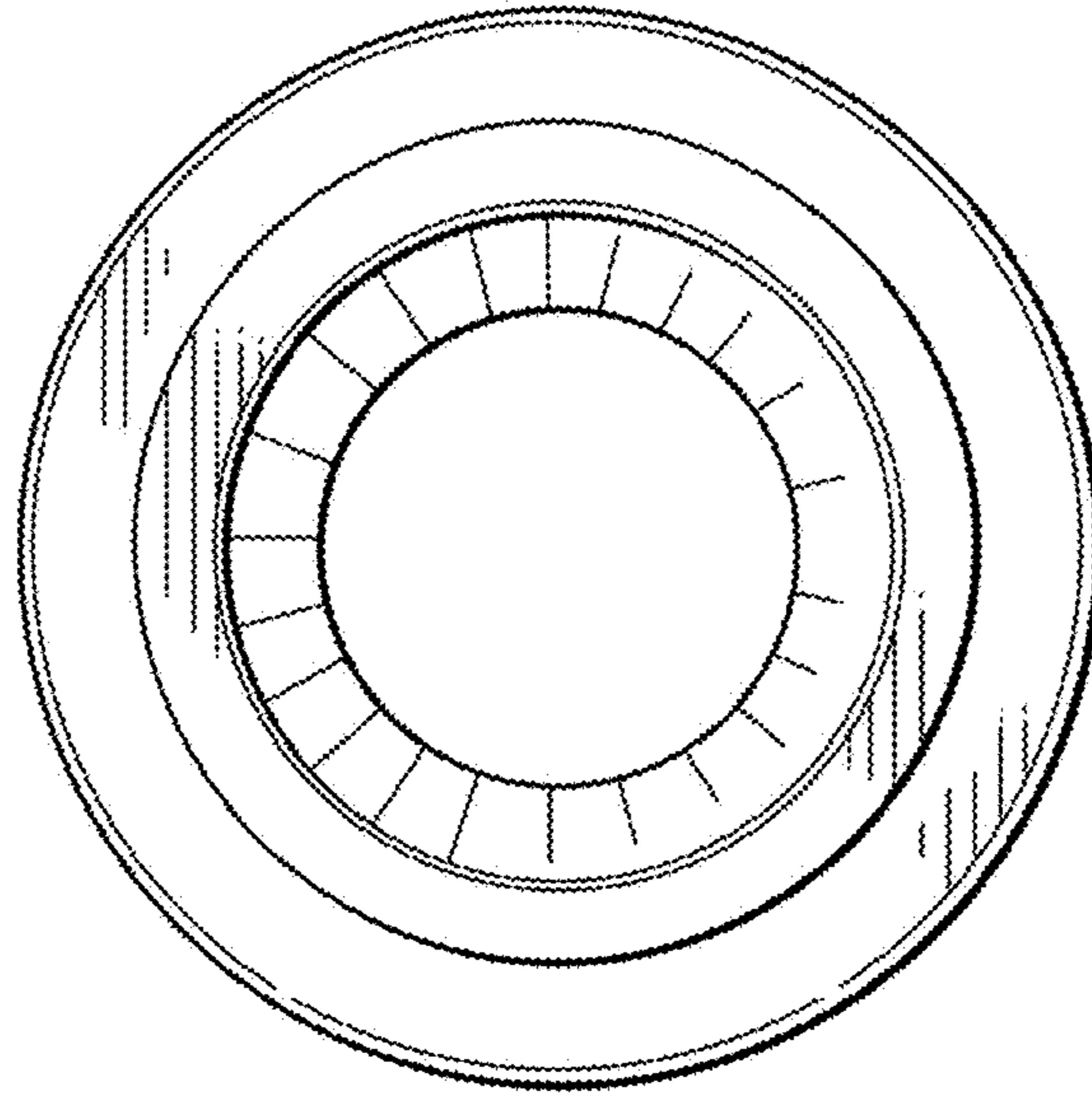


Figure 5

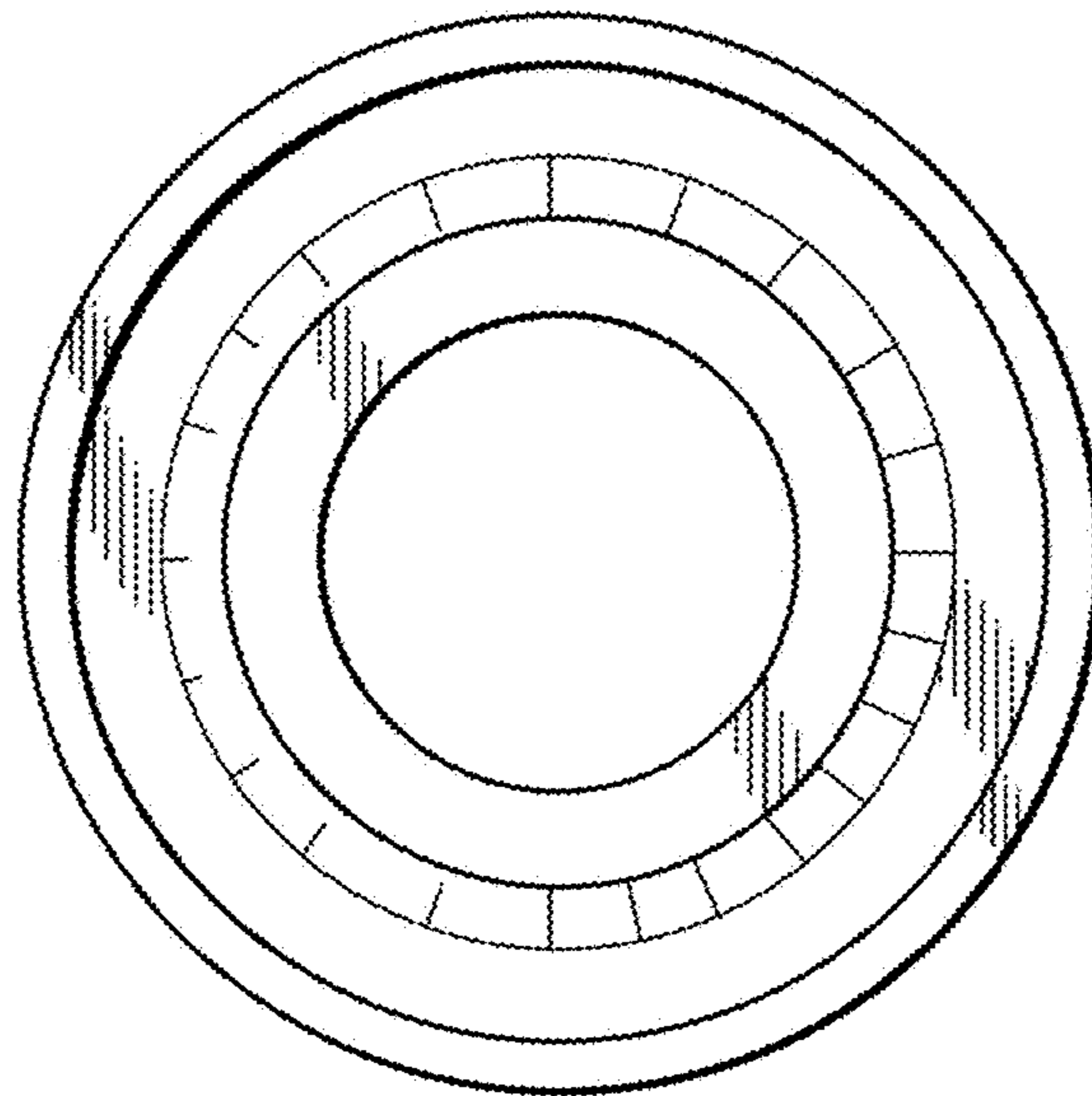


Figure 6

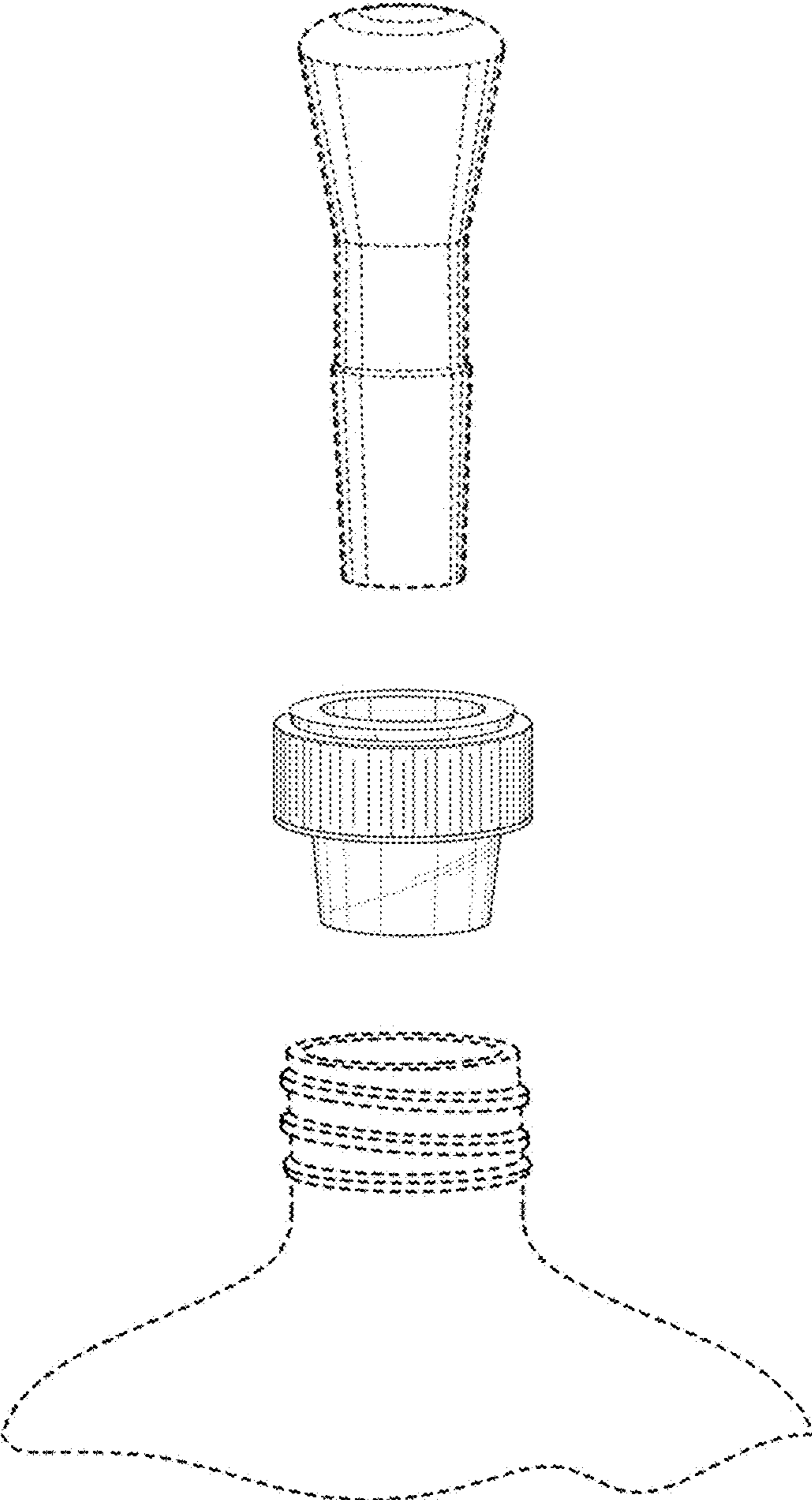


Figure 7