



US00D722720S

(12) **United States Design Patent**
Garbo

(10) **Patent No.:** **US D722,720 S**

(45) **Date of Patent:** **** Feb. 17, 2015**

(54) **DEVICE FOR WATER PIPE**

(76) Inventor: **Matthew J. Garbo**, Rancho Cucamonga, CA (US)

(**) Term: **14 Years**

(21) Appl. No.: **29/427,719**

(22) Filed: **Jul. 20, 2012**

(51) **LOC (10) Cl.** **27-02**

(52) **U.S. Cl.**
USPC **D27/167; D27/162**

(58) **Field of Classification Search**
CPC A24F 1/02; A24F 1/04; A24F 1/06;
A24F 1/08; A24F 1/10; A24F 1/12; A24F
1/14; A24F 1/22; A24F 9/16
USPC D27/106, 162-169, 194; 131/220-222,
131/226, 173, 174, 194, 329-330; D7/584,
D7/585; D9/500, 502; D11/143, 144, 146,
D11/152

See application file for complete search history.

(56) **References Cited**

U.S. PATENT DOCUMENTS

D368,325 S *	3/1996	Heine	D27/162
D372,427 S *	8/1996	Jago et al.	D9/500
D387,476 S *	12/1997	Chambers	D27/162
D637,445 S *	5/2011	Chung et al.	D7/316
D649,696 S *	11/2011	Mehio	D27/162
D649,702 S *	11/2011	Mehio	D27/162
D649,703 S *	11/2011	Mehio	D27/162
D686,775 S *	7/2013	Mehio	D27/162

2012/0118306 A1 *	5/2012	Mehio	131/328
2012/0180803 A1 *	7/2012	Beloni	131/173
2014/0041676 A1 *	2/2014	Mehio	131/328

* cited by examiner

Primary Examiner — Susan Bennett Hattan

Assistant Examiner — Janice Hallmark

(74) *Attorney, Agent, or Firm* — QuickPatents; Kevin Prince

(57) **CLAIM**

The ornamental design for a device for water pipe, as shown and described.

DESCRIPTION

FIG. 1 is a perspective view of a device for water pipe, showing my new design;
 FIG. 2 is a front elevational view thereof, the rear elevational view being a mirror image thereof;
 FIG. 3 is a left side elevational view thereof; the right side elevational view being a mirror image thereof;
 FIG. 4 is a top plan view of the lower portion of the device for water pipe;
 FIG. 5 is a top plan view of the upper portion of the device for water pipe;
 FIG. 6 is a bottom plan view of the lower portion of the device for water pipe; and,
 FIG. 7 is a bottom plan view of the upper portion of the device for water pipe.

The broken lines showing a water pipe in FIG. 1 depict environmental matter and form no part of the claimed design. The device for water pipe is designed to be used with a water pipe for cooling and protection against breakage.

1 Claim, 3 Drawing Sheets

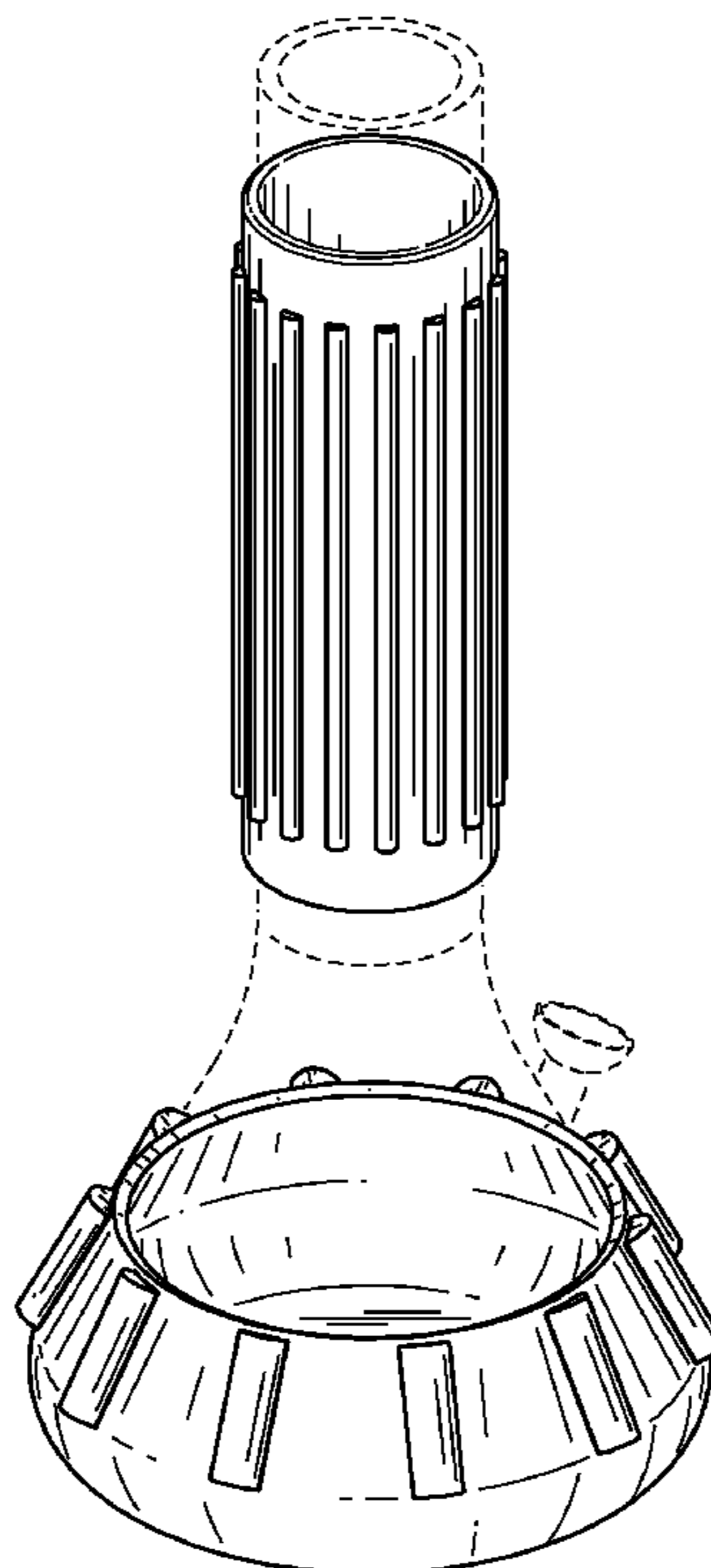
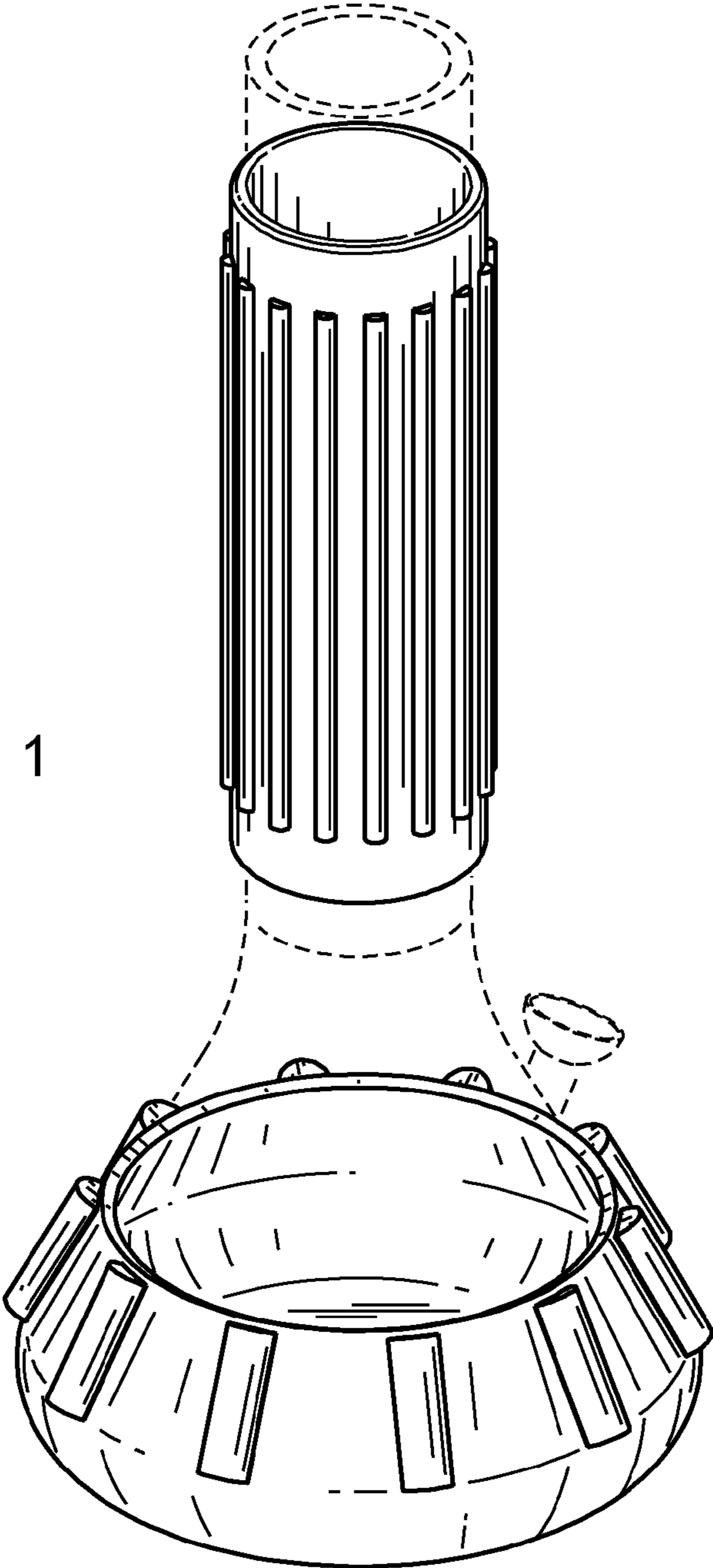


FIG. 1



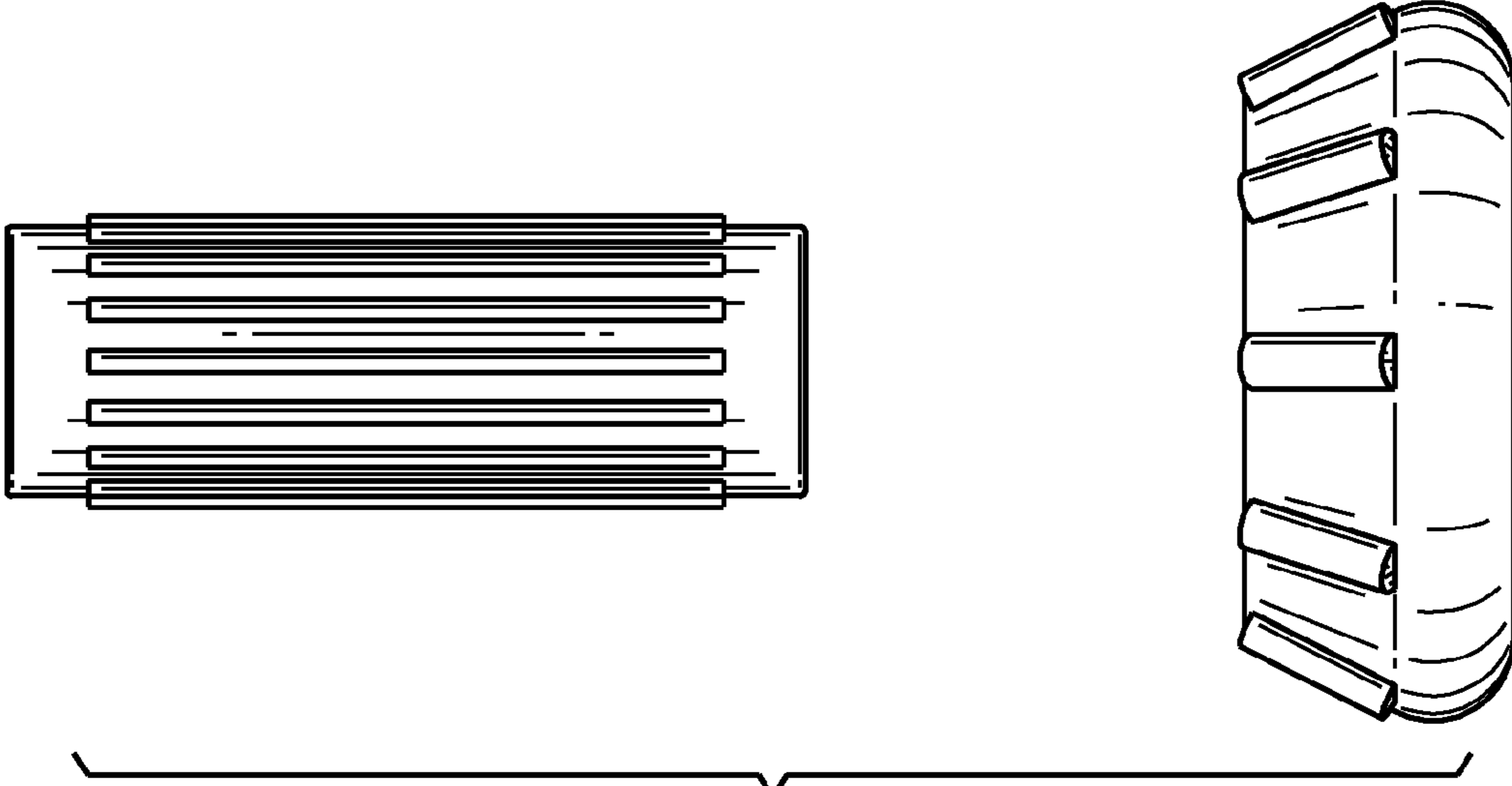


FIG.3

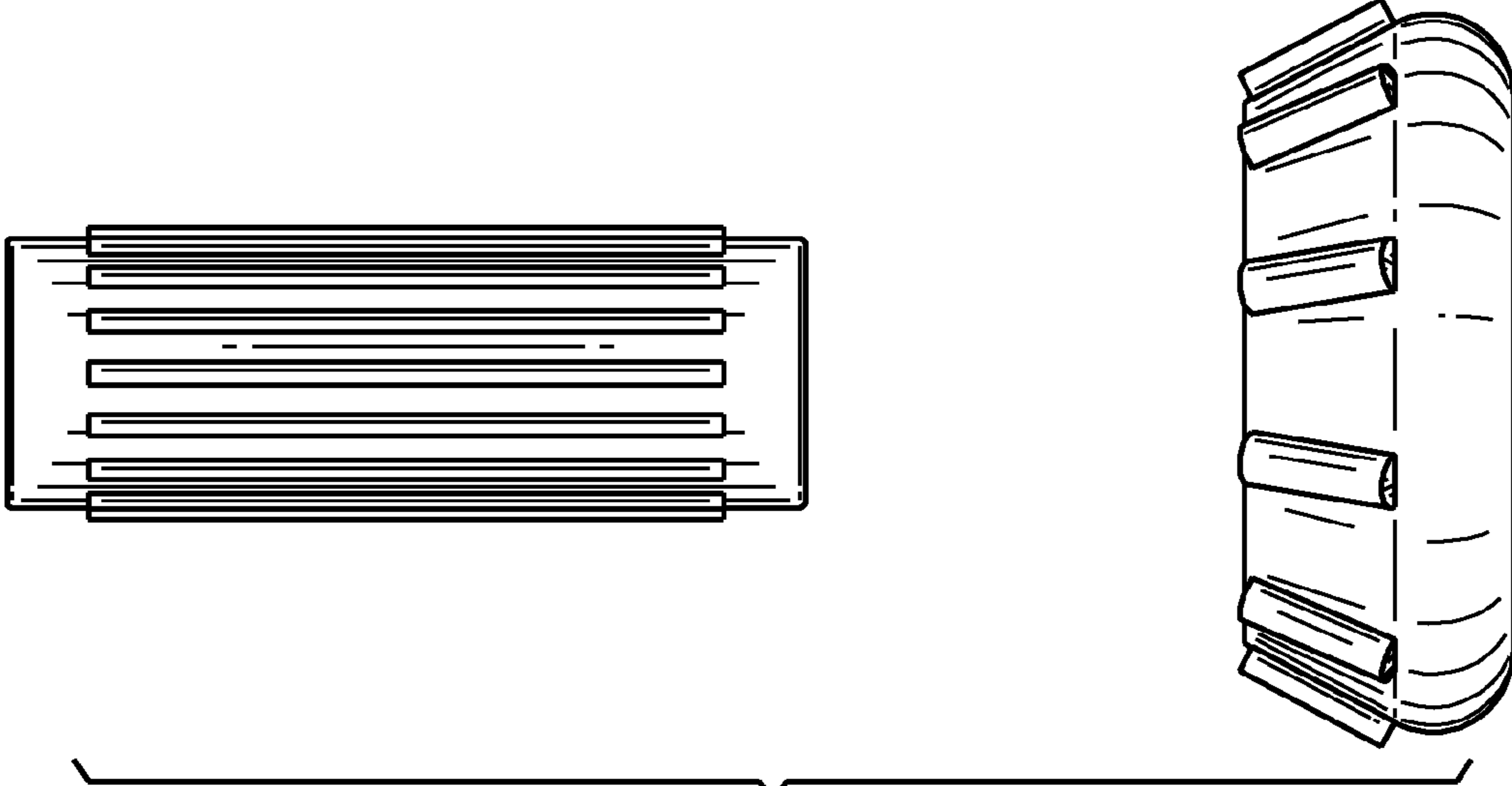


FIG.2

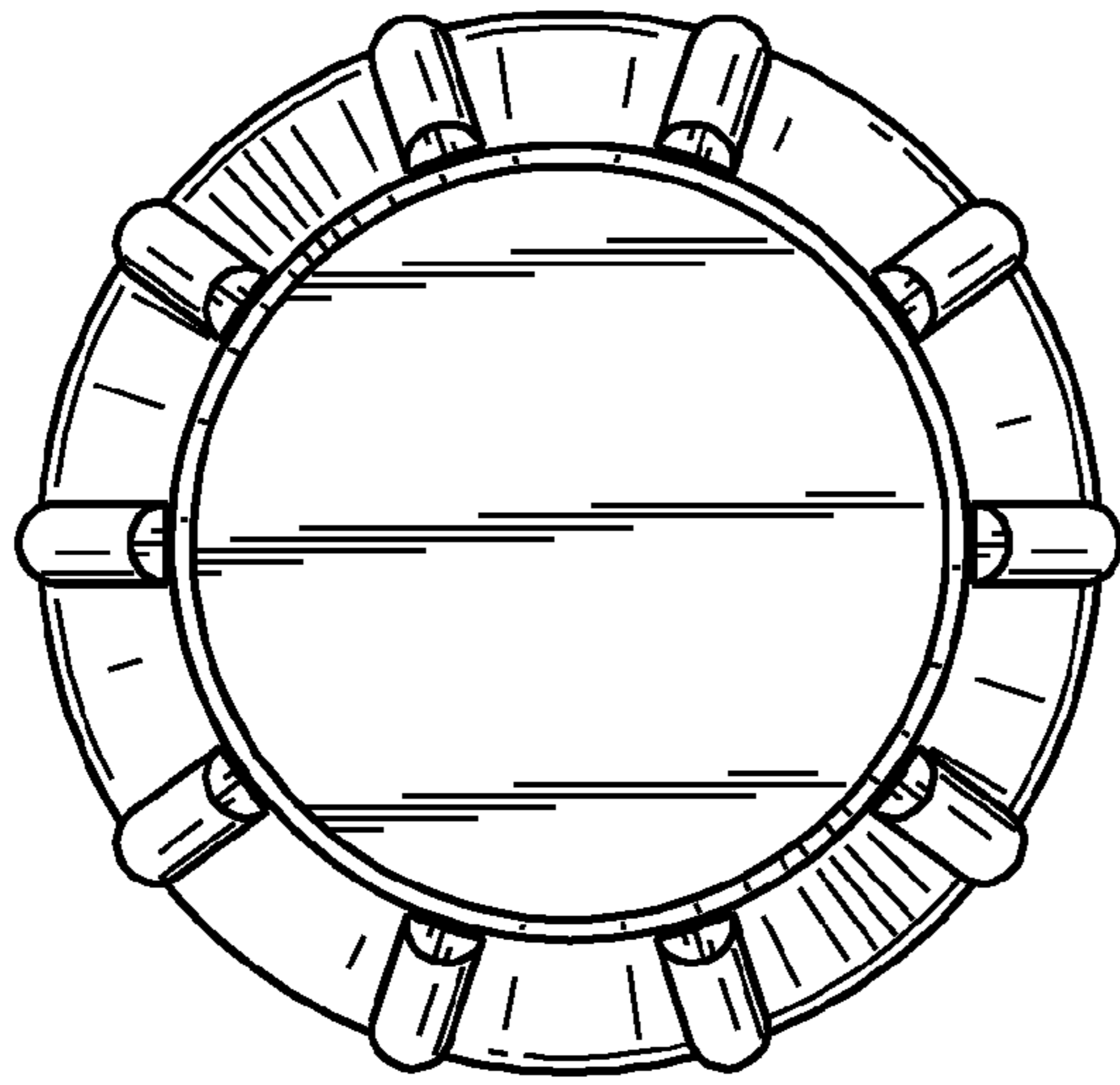


FIG. 4

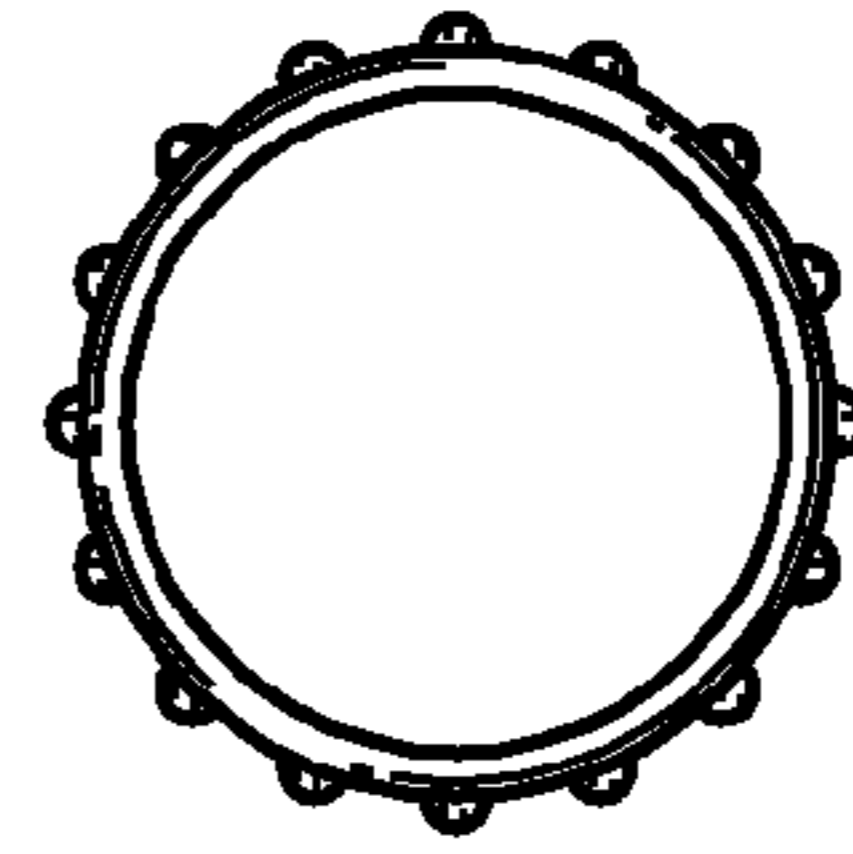


FIG. 5

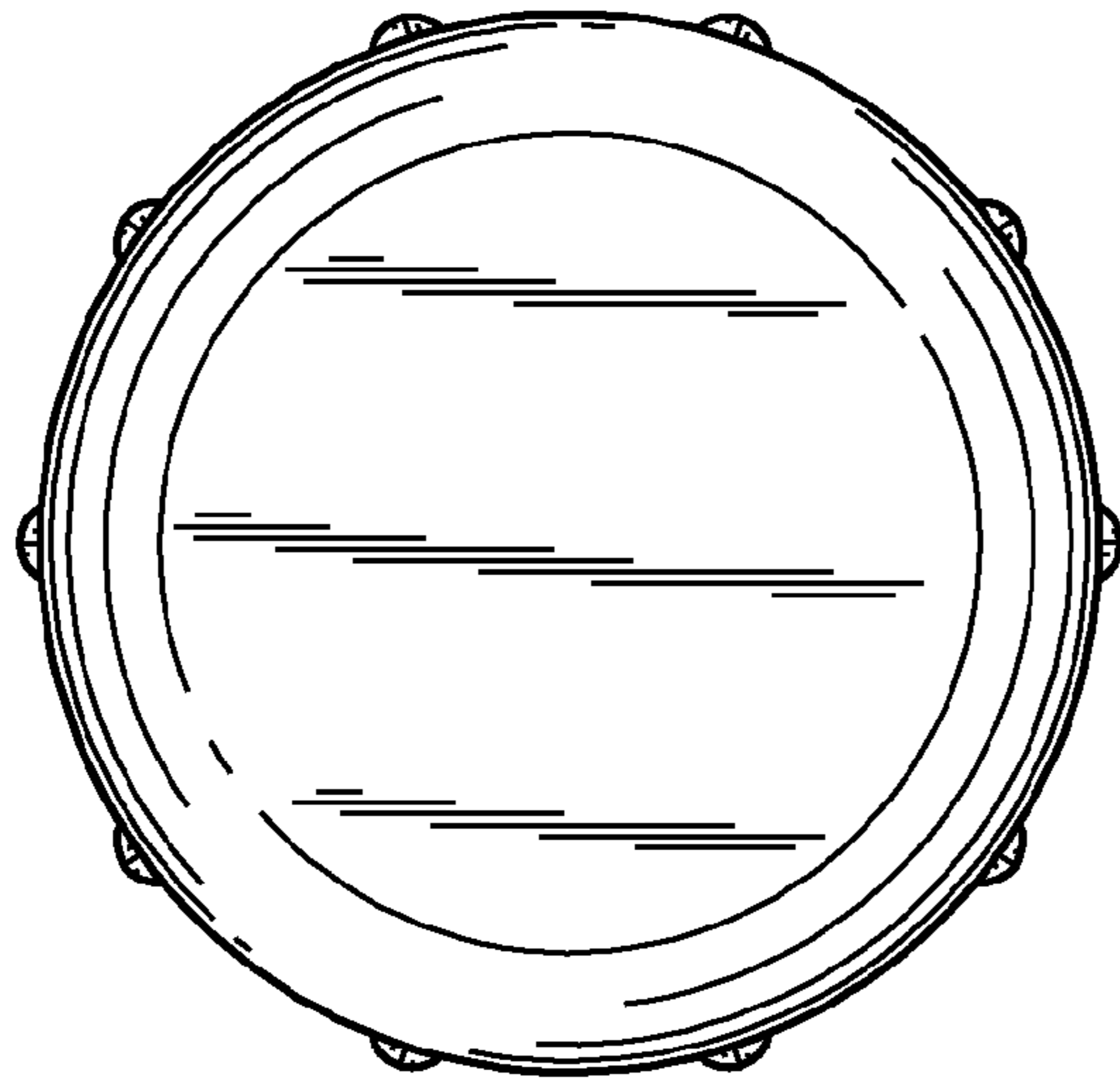


FIG. 6

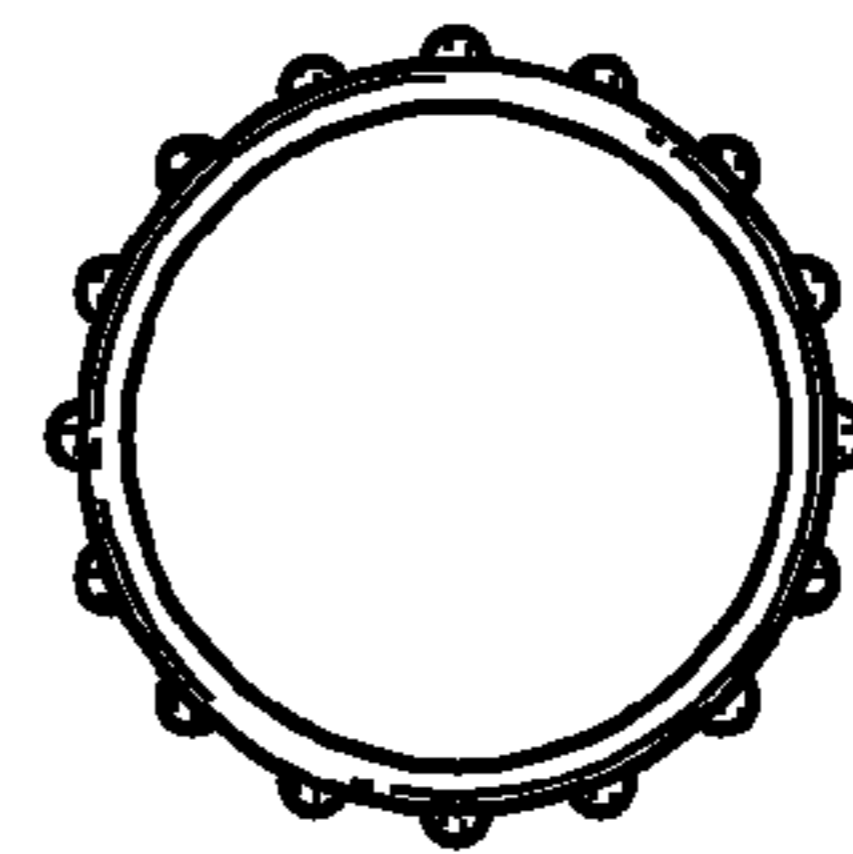


FIG. 7