



US00D722719S

(12) **United States Design Patent**
Pyle

(10) **Patent No.:** **US D722,719 S**

(45) **Date of Patent:** **** Feb. 17, 2015**

(54) **LAMP**

(71) Applicant: **Hubbardton Forge LLC**, Castleton, VT (US)

(72) Inventor: **Zach Pyle**, North Clarendon, VT (US)

(73) Assignee: **Hubbardton Forge LLC** VT (US)

(**) Term: **14 Years**

(21) Appl. No.: **29/470,720**

(22) Filed: **Oct. 24, 2013**

(51) **LOC (10) Cl.** **26-03**

(52) **U.S. Cl.**
USPC **D26/85; D26/87**

(58) **Field of Classification Search**
USPC D26/67, 72, 85, 87, 88, 89, 90, 91, 92,
D26/118, 120; 362/147, 432, 404-408
See application file for complete search history.

(56) **References Cited**

U.S. PATENT DOCUMENTS

D37,966 S *	4/1906	Schepmoes	D26/85
D50,532 S *	3/1917	Mohrmann	D26/85
D60,460 S *	2/1922	Kranz	D26/91
D62,887 S *	8/1923	Dahl	D26/87

D63,375 S *	11/1923	Mohrmann	D26/85
D316,912 S *	5/1991	Choi	D26/87
D352,128 S *	11/1994	Nicholas	D26/152
D427,352 S *	6/2000	Miranda	D26/72
D427,355 S *	6/2000	Miranda	D26/87
D473,674 S *	4/2003	Orozco	D26/87
D646,427 S *	10/2011	Chen	D26/87
D678,589 S *	3/2013	Crosby	D26/85
D706,971 S *	6/2014	Walsh	D26/87

* cited by examiner

Primary Examiner — Clare E Heflin

(74) *Attorney, Agent, or Firm* — Bourque and Associates, PA

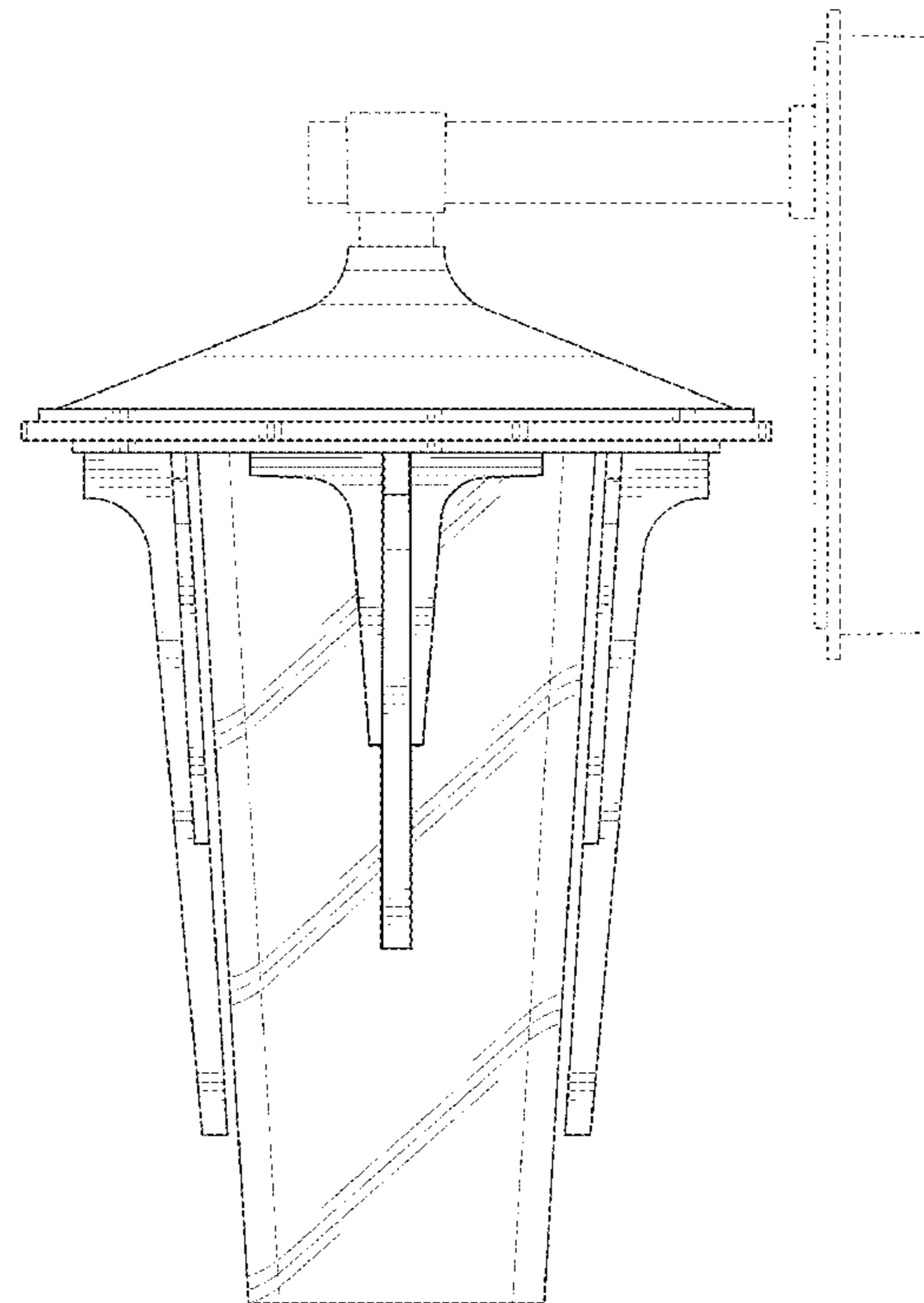
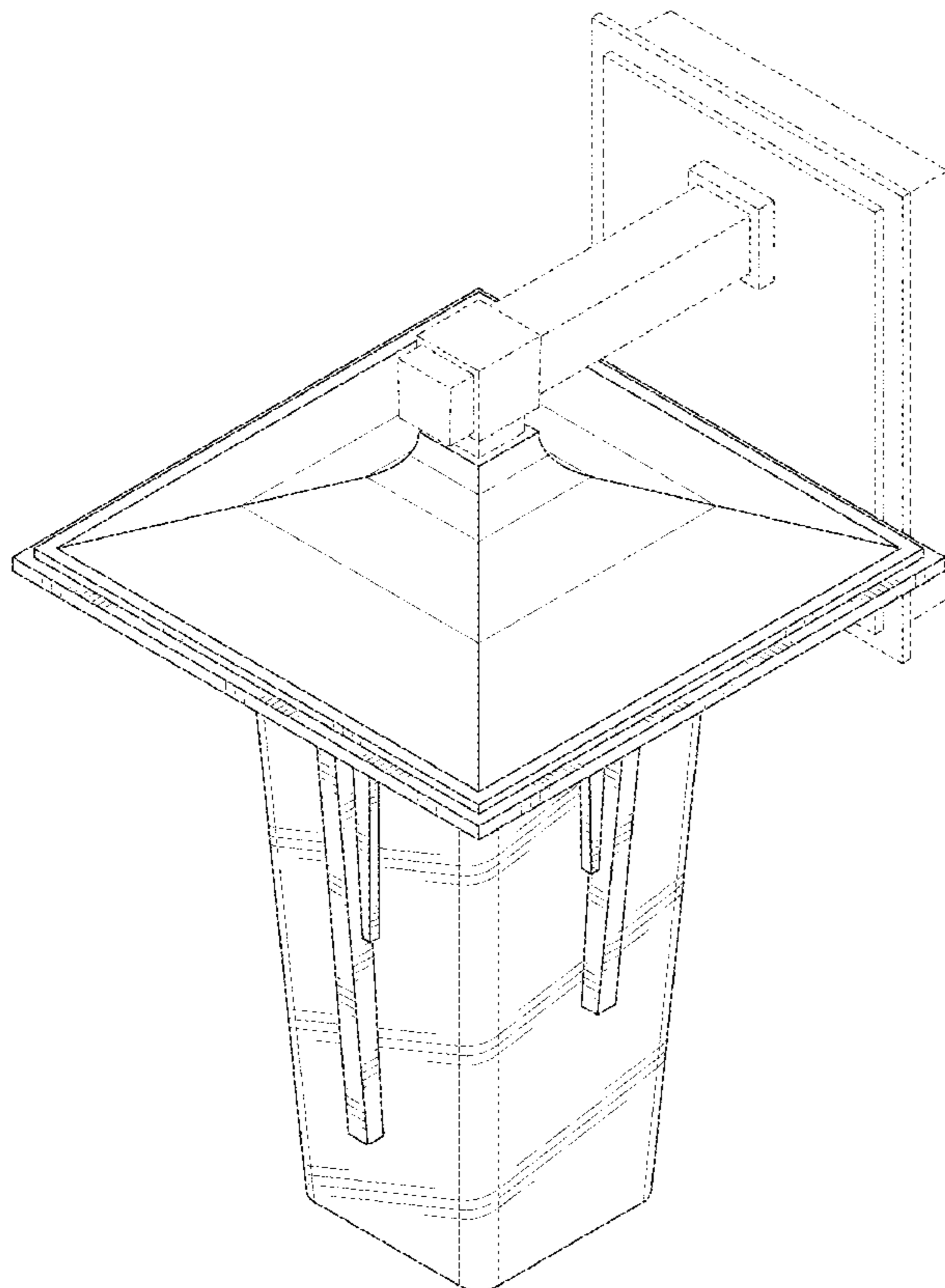
(57) **CLAIM**

The ornamental design for a lamp, as shown and described.

DESCRIPTION

FIG. 1 is a perspective view of the lamp according to the present invention;
 FIG. 2 is a front view of the lamp thereof;
 FIG. 3 is a back view of the lamp thereof;
 FIG. 4 is a right view of the lamp; the left view being a mirror image thereof;
 FIG. 5 is a top view of the lamp thereof; and,
 FIG. 6 is a bottom view of the lamp thereof.
 The broken lines shown on the drawings depict portions of lamp that form no part of the claimed design.

1 Claim, 6 Drawing Sheets



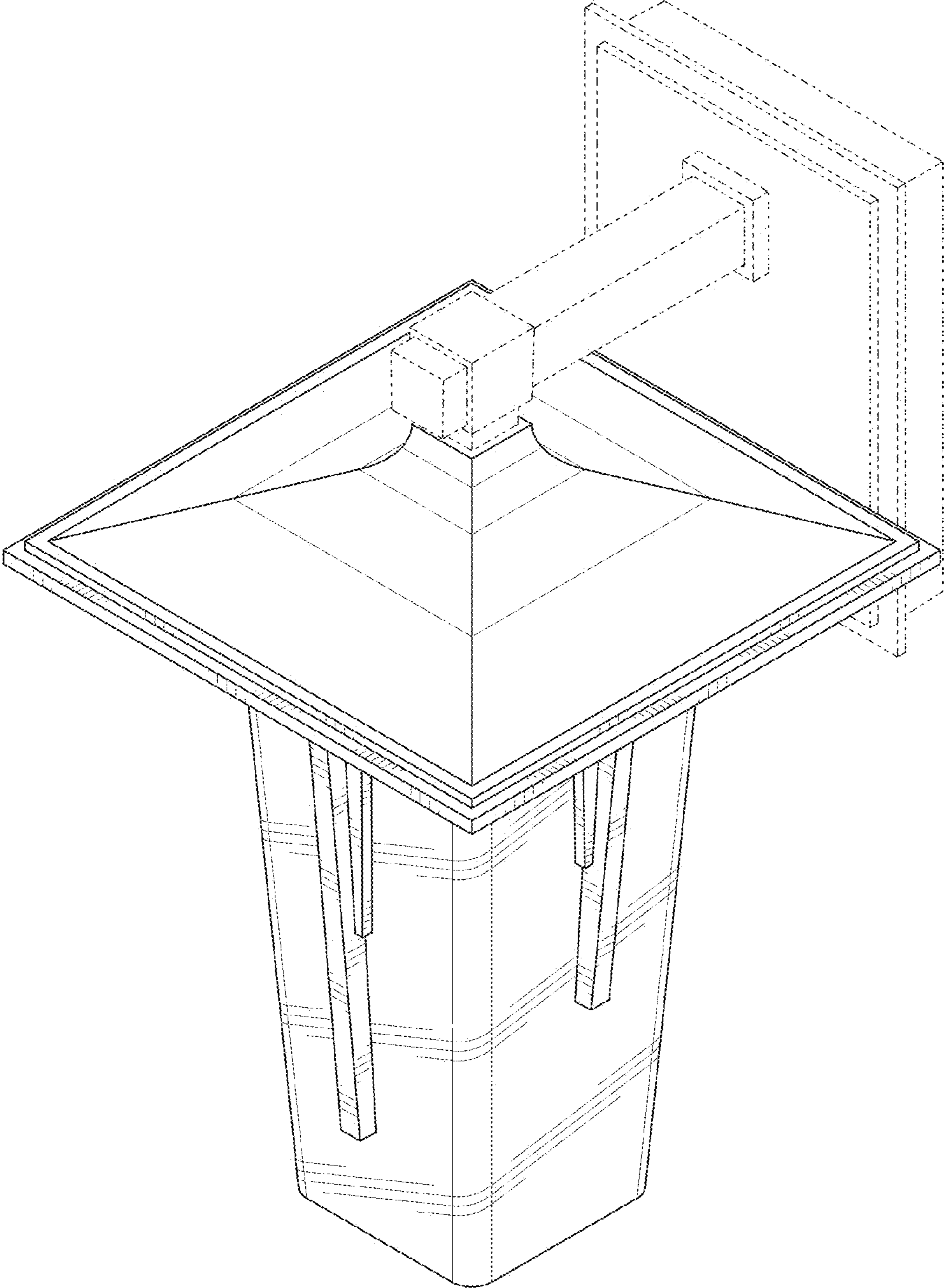


FIG. 1

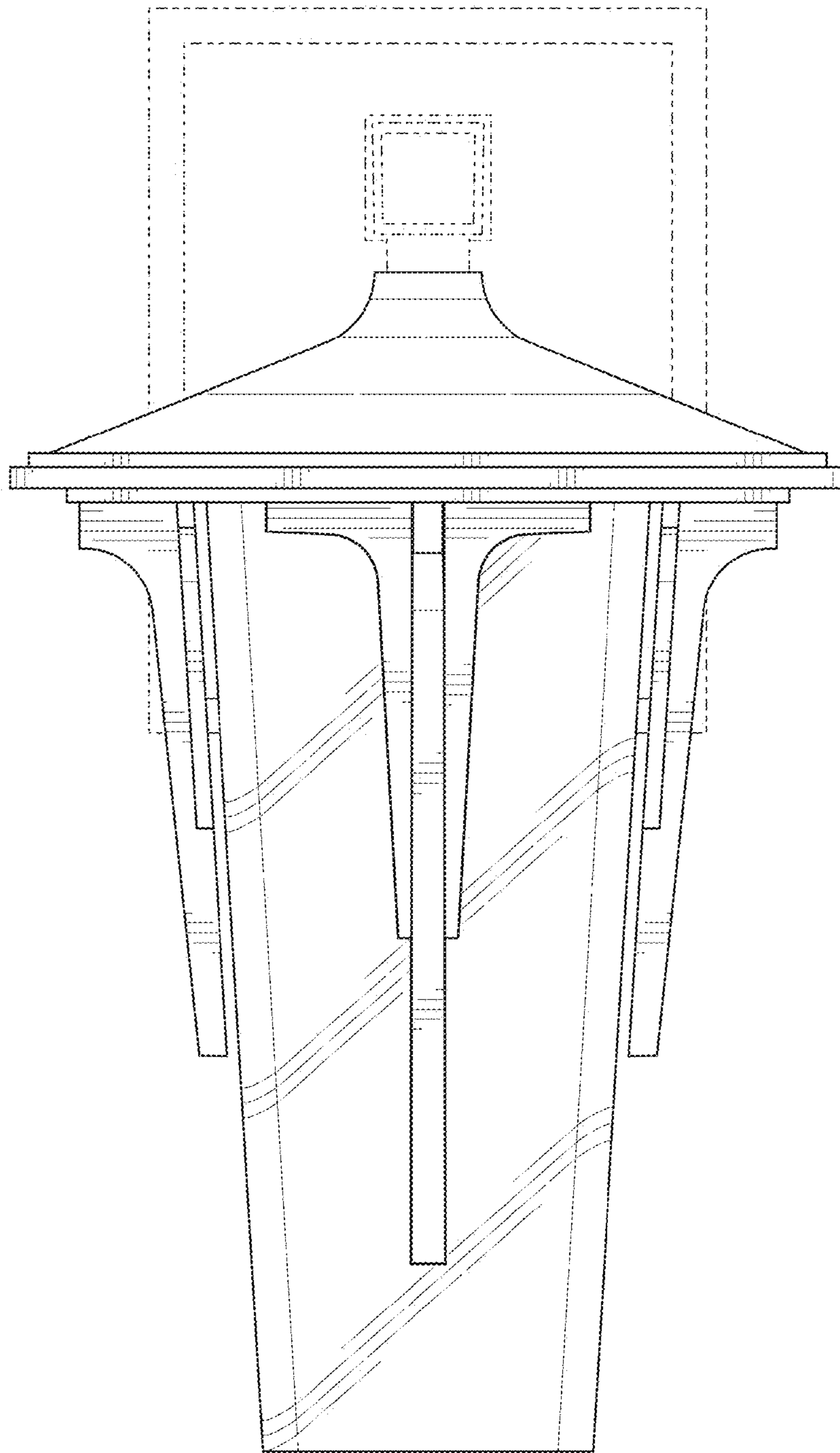


FIG. 2

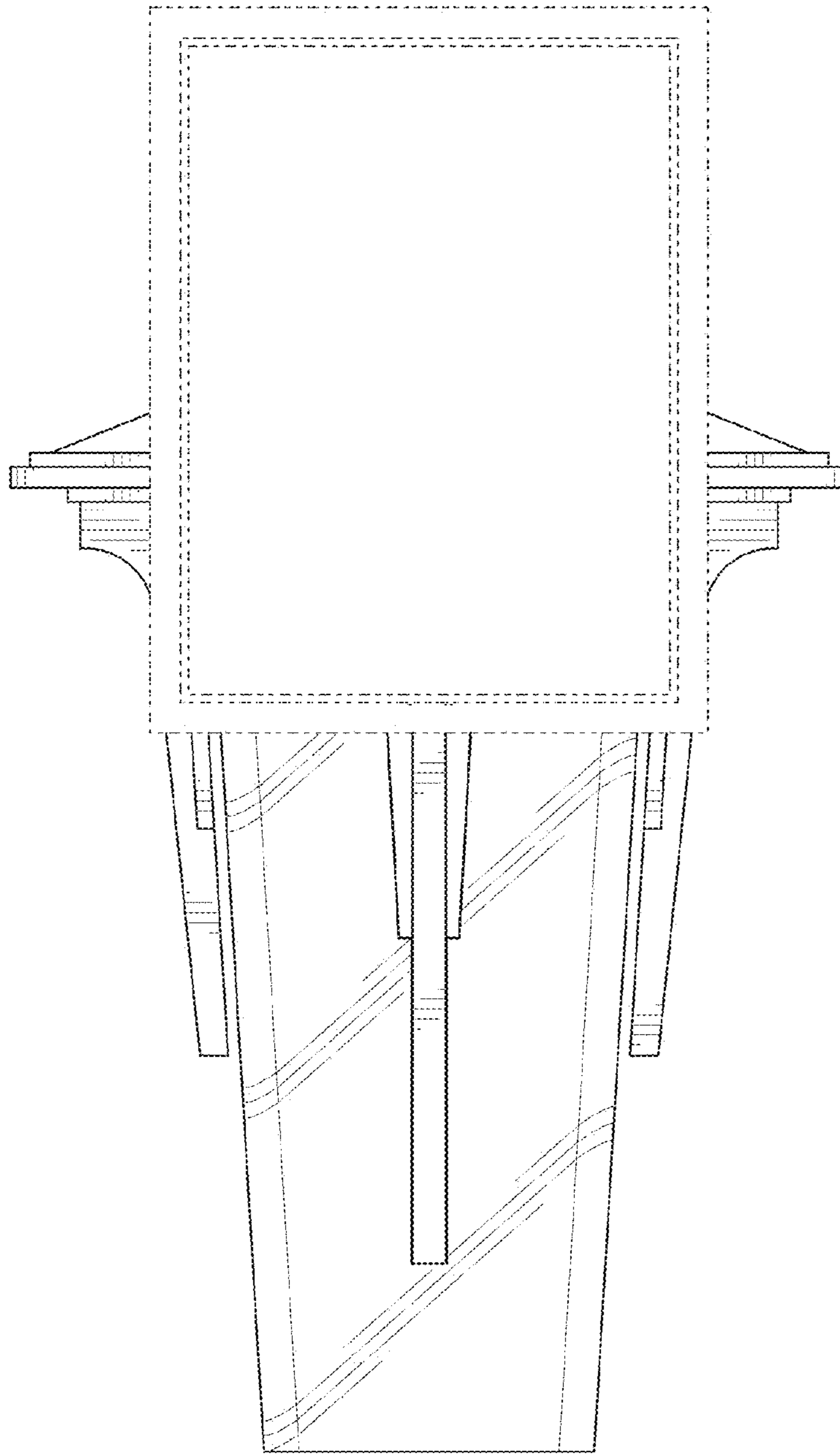


FIG. 3

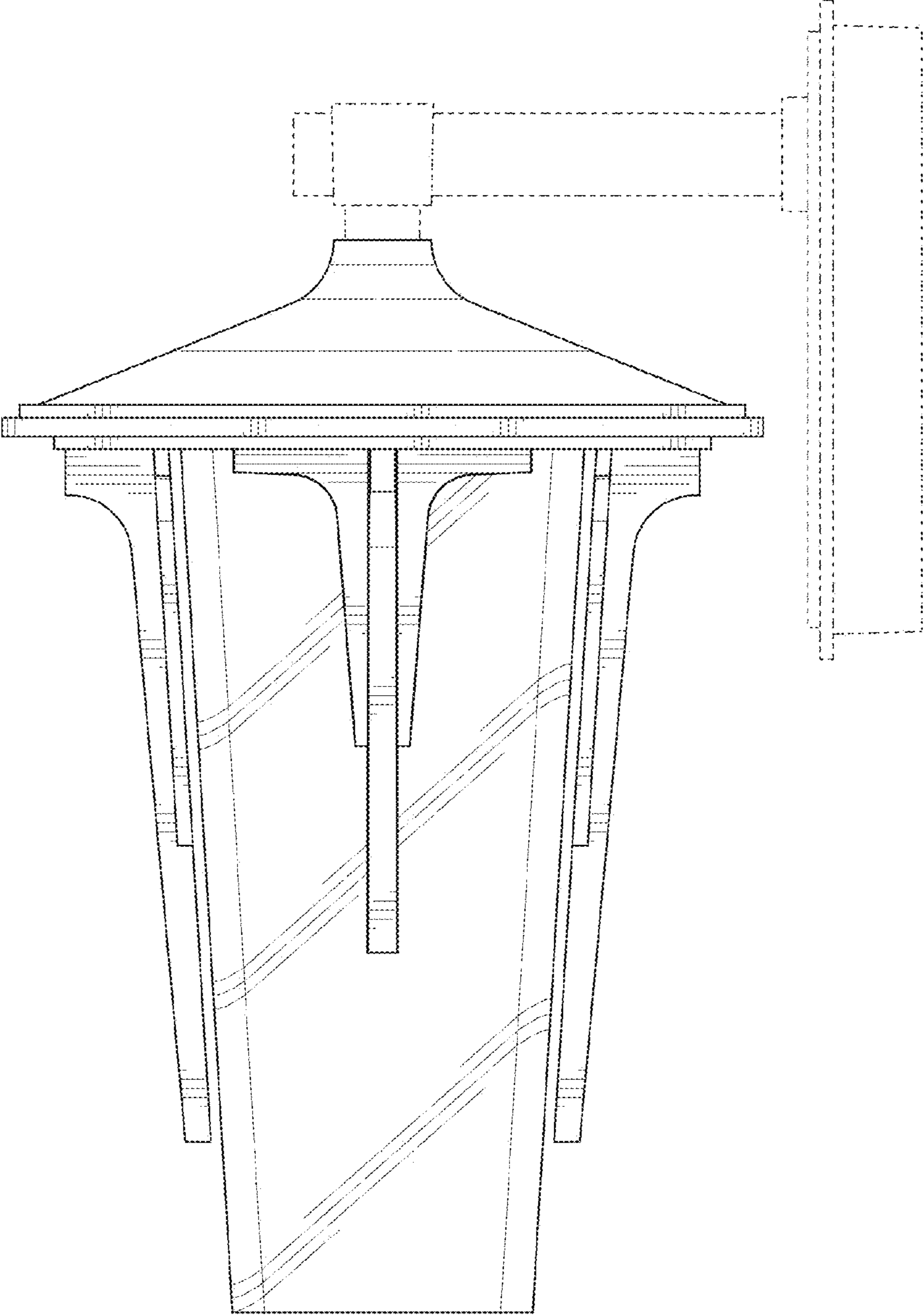


FIG. 4

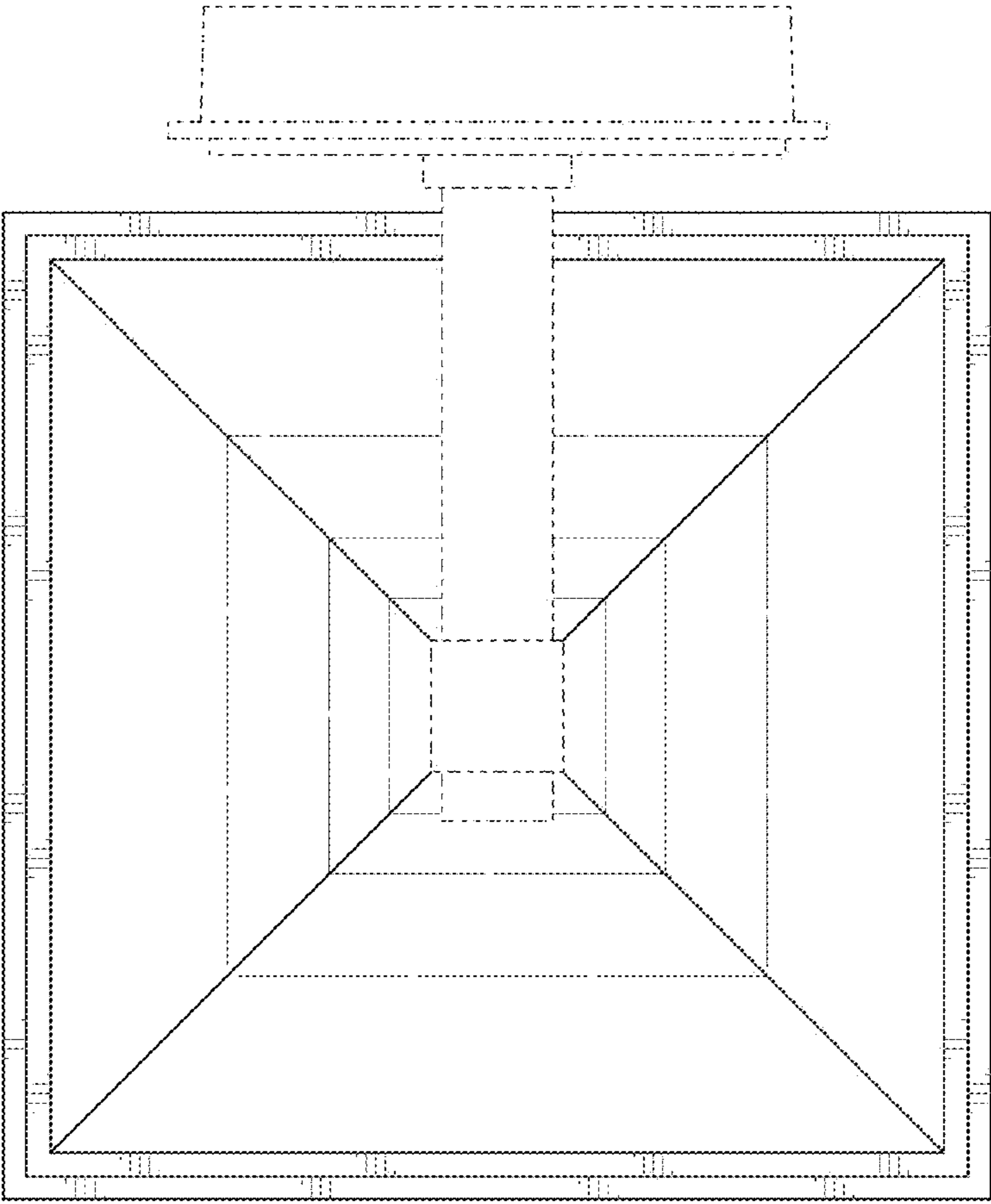


FIG. 5

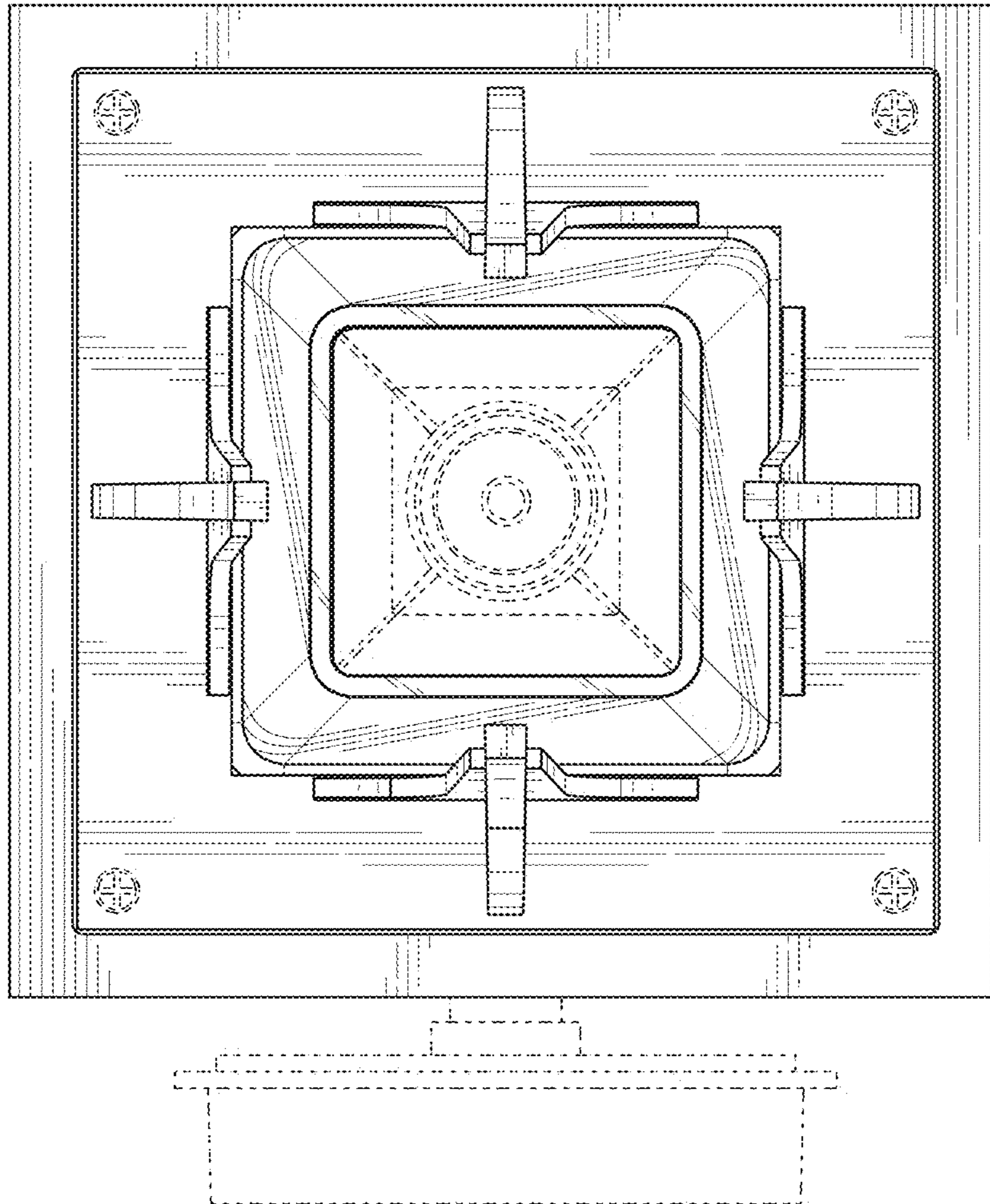


FIG. 6