



US00D722718S

(12) **United States Design Patent**
Chen

(10) **Patent No.:** **US D722,718 S**

(45) **Date of Patent:** **** Feb. 17, 2015**

(54) **LED LAMP**

(71) Applicant: **Chia-Teh Chen**, Taipei (TW)

(72) Inventor: **Chia-Teh Chen**, Taipei (TW)

(**) Term: **14 Years**

(21) Appl. No.: **29/478,597**

(22) Filed: **Jan. 7, 2014**

(51) **LOC (10) Cl.** **26-05**

(52) **U.S. Cl.**
USPC **D26/72**

(58) **Field of Classification Search**
USPC D26/58, 72, 75-79, 80; 362/133, 147,
362/217.01-219, 221-223, 217.02-217.08,
362/217.1, 249.02

See application file for complete search history.

(56) **References Cited**

U.S. PATENT DOCUMENTS

D121,590	S	*	7/1940	Heath	D26/76
D140,107	S	*	1/1945	Lippincott	D26/76
D191,628	S	*	10/1961	Muller	D26/76
D260,187	S	*	8/1981	Andersson	D26/85
D261,056	S	*	9/1981	Andersson	D26/85
D330,268	S	*	10/1992	Jaksich	D26/74
5,559,393	A	*	9/1996	Nilssen	315/58
6,050,708	A	*	4/2000	Roorda	362/375
D442,722	S	*	5/2001	Fahmian	D26/76
D443,096	S	*	5/2001	Echito	D26/76
D452,340	S	*	12/2001	Pickett et al.	D26/76
6,390,652	B1	*	5/2002	Echito	362/219
6,964,504	B2	*	11/2005	Newbold	362/133
D532,544	S	*	11/2006	Woertler	D26/80
7,163,310	B2	*	1/2007	Sanborn et al.	362/133

D608,043	S	*	1/2010	Ko	D26/76
8,545,045	B2	*	10/2013	Tress	362/217.17
2009/0073692	A1	*	3/2009	Berger et al.	362/249.02

* cited by examiner

Primary Examiner — Clare E Heflin

(74) *Attorney, Agent, or Firm* — Li & Cai Intellectual Property (USA) Office

(57) **CLAIM**

The ornamental design for a “LED lamp,” as shown and described.

DESCRIPTION

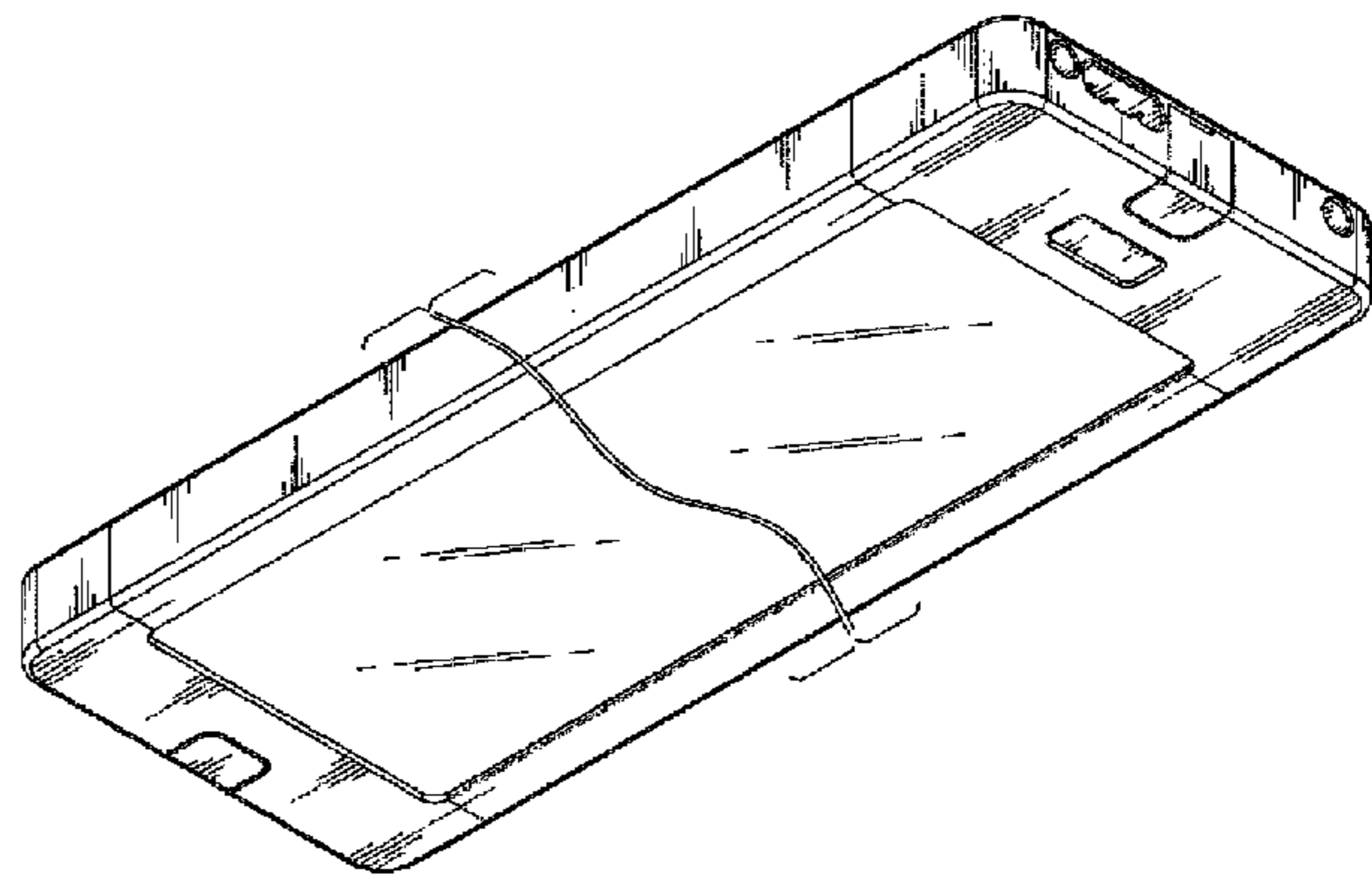
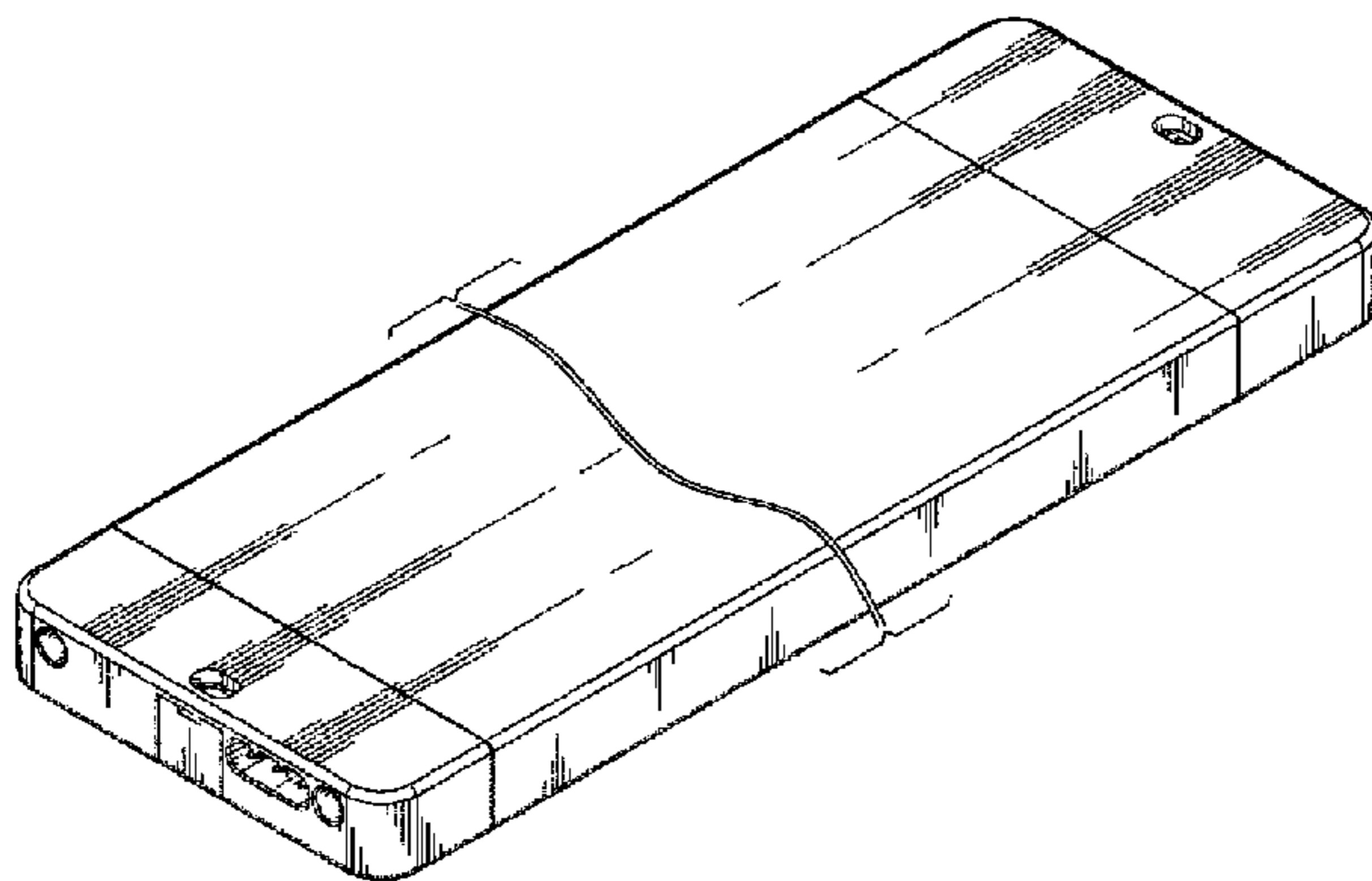
FIG. 1 is a top perspective view of the LED lamp showing my new design;
FIG. 2 is a front elevation view thereof;
FIG. 3 is a rear elevation view thereof;
FIG. 4 is a left side elevation view thereof;
FIG. 5 is a right side elevation view thereof;
FIG. 6 is a top plan view thereof;
FIG. 7 is a bottom plan view thereof;
FIG. 8 is a bottom perspective view thereof; and,
FIG. 9 is perspective view showing three of the claimed lamps in use, it being understood that the claim is directed to a single lamp unit.

The portions of the lamp are shown fragmented and embraced by a bracket in FIGS. 1-3 and FIGS. 6-8 for ease of illustration only.

The broken lines inside the circular apertures in FIGS. 4 and 5 depict portions of the lamp that form no part of the claimed design.

The broken lines in FIG. 8 depict environment that forms no part of the claimed design.

1 Claim, 7 Drawing Sheets



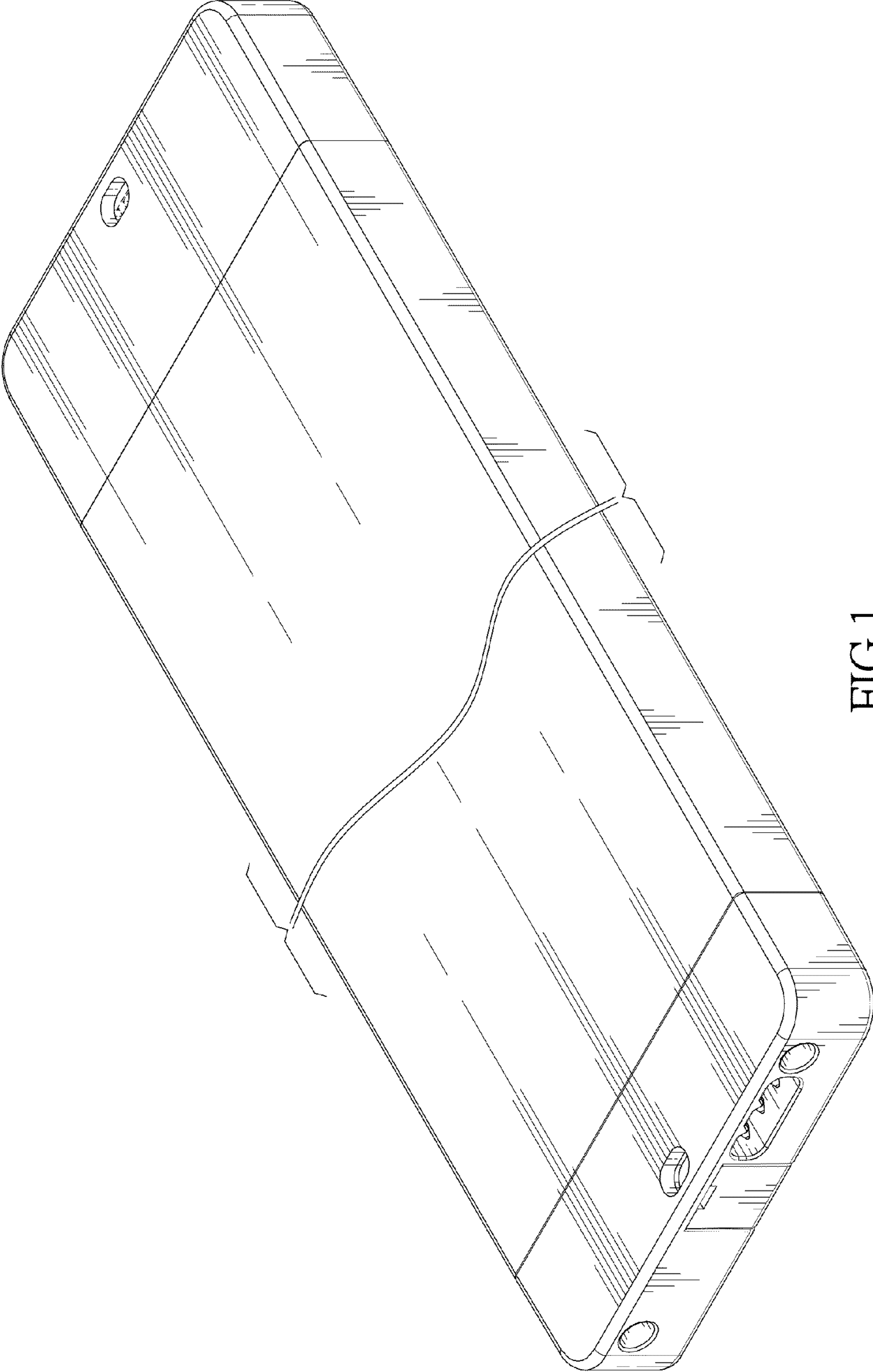


FIG.1

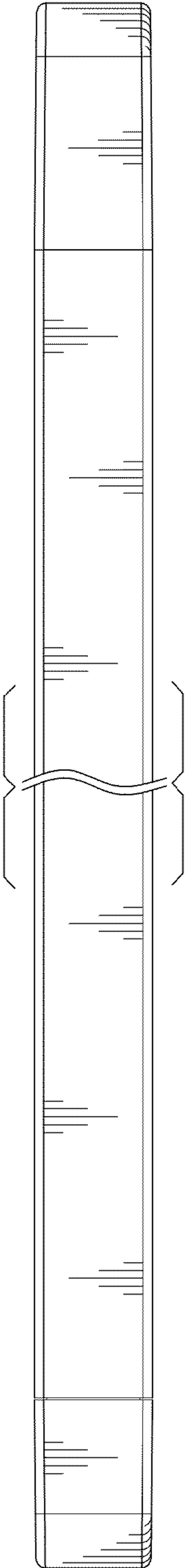


FIG. 2

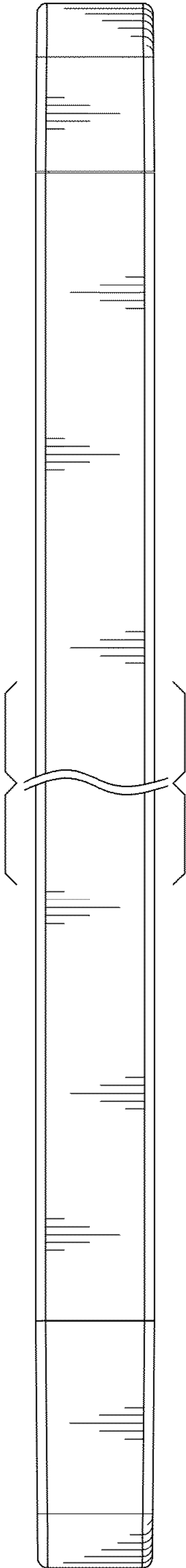


FIG. 3

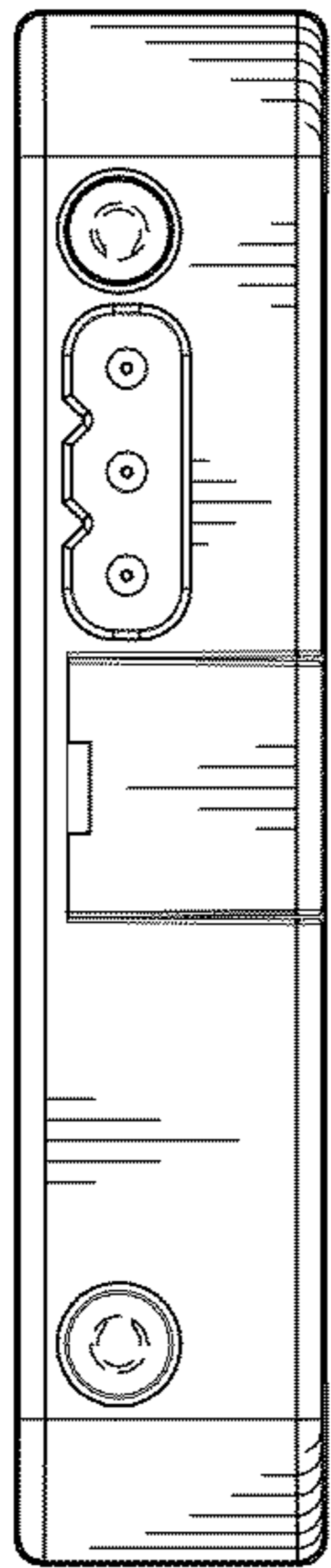


FIG. 4

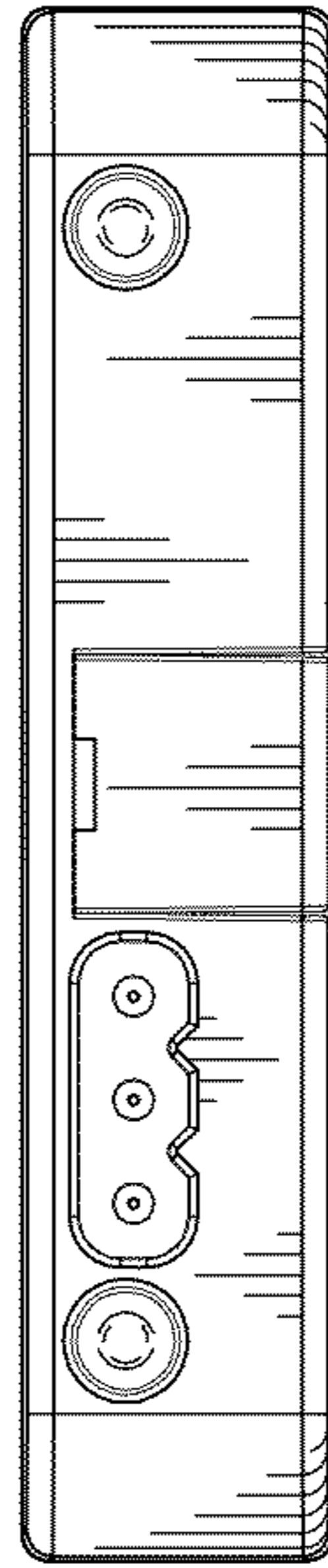


FIG. 5

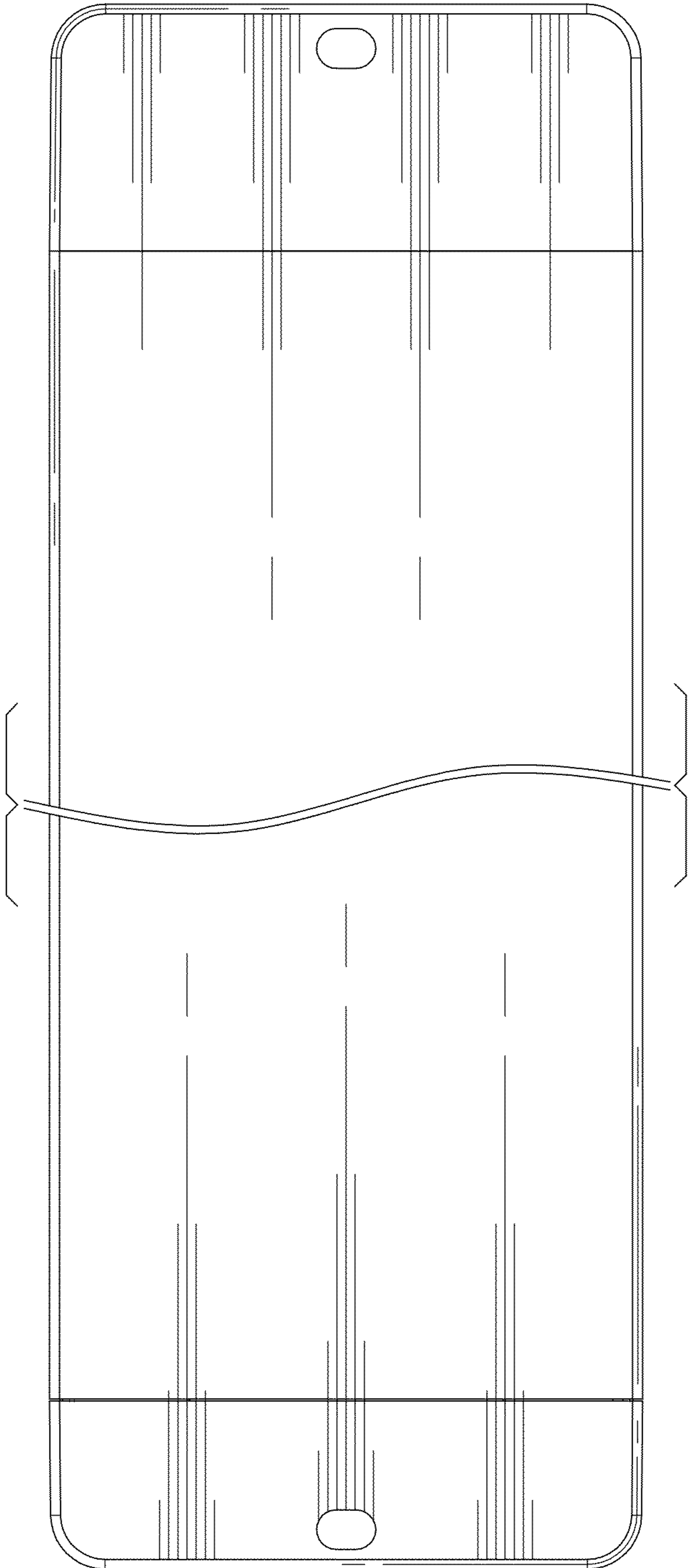


FIG.6

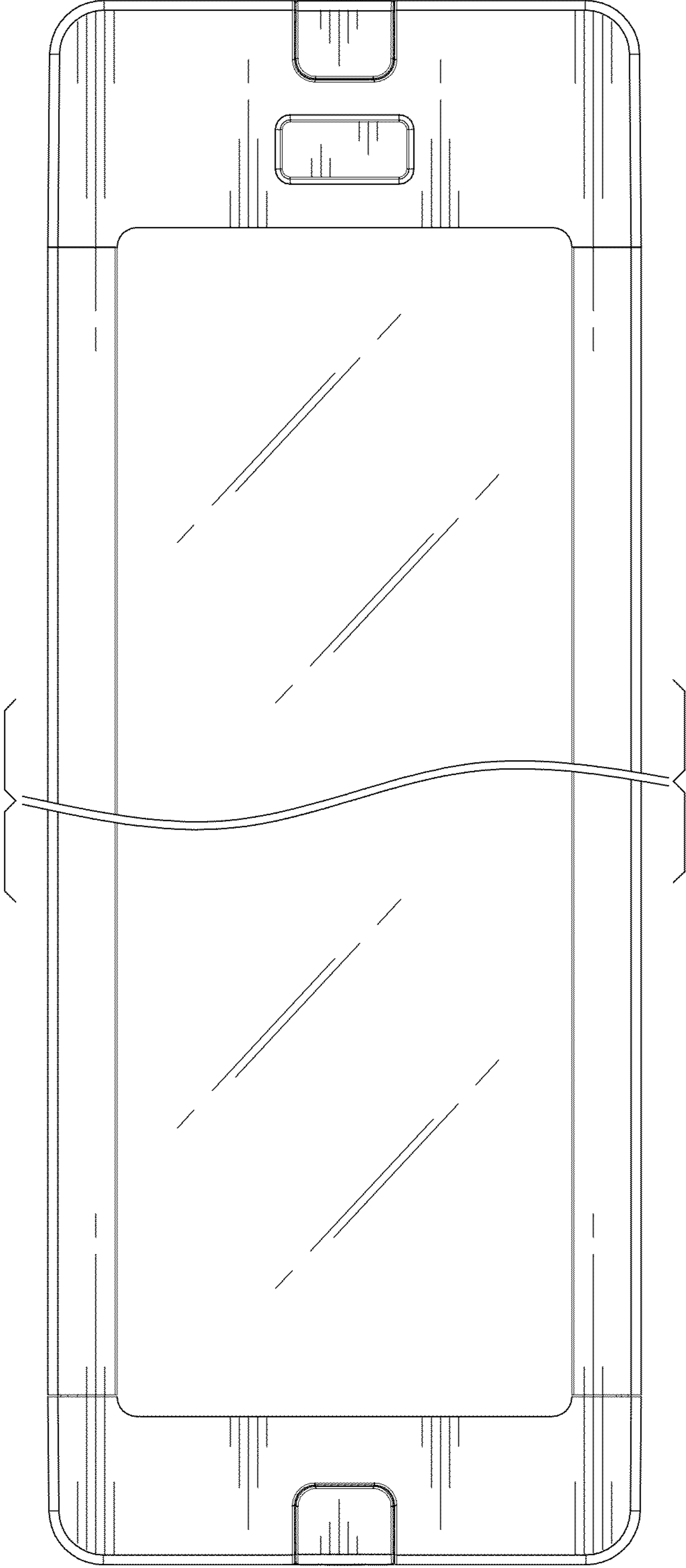


FIG.7

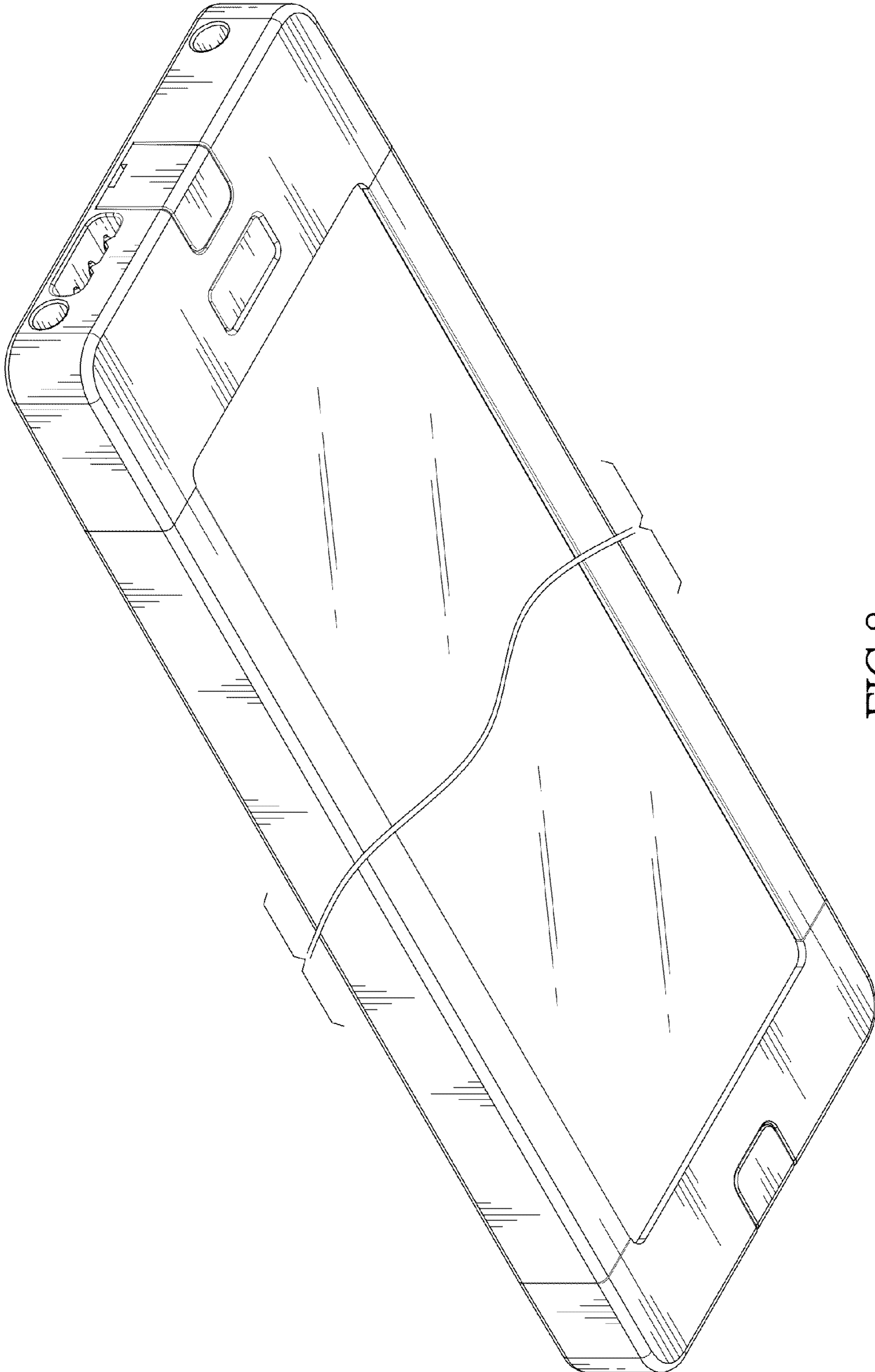


FIG.8

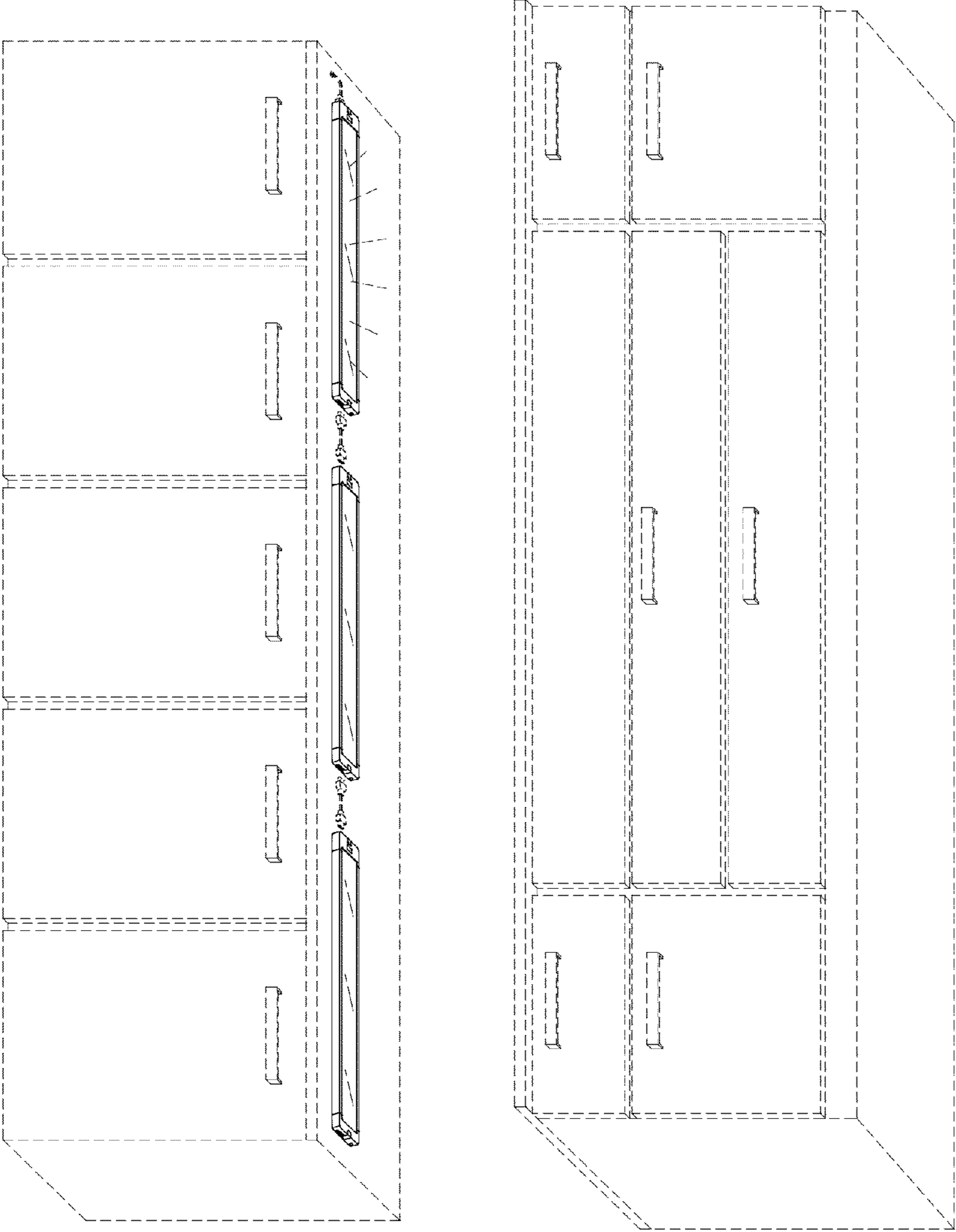


FIG.9