



US00D722717S

(12) **United States Design Patent**  
**Wang**

(10) **Patent No.:** **US D722,717 S**

(45) **Date of Patent:** **\*\* Feb. 17, 2015**

(54) **LED STRING LIGHT FOR AQUARIUM**

(75) Inventor: **Yu-Chin Wang**, Taipei (TW)

(73) Assignee: **Eiko Electric Products Corp.**, Taipei (TW)

(\*\*) Term: **14 Years**

(21) Appl. No.: **29/423,004**

(22) Filed: **May 25, 2012**

(51) **LOC (10) Cl.** ..... **26-05**

(52) **U.S. Cl.**  
USPC ..... **D26/51**

(58) **Field of Classification Search**  
USPC ..... D26/1, 24, 51, 61, 72, 80, 82, 84, 113,  
D26/34; 362/154, 612, 231, 101, 219, 225,  
362/249, 382, 249.01, 249.02, 249.03  
See application file for complete search history.

(56) **References Cited**

U.S. PATENT DOCUMENTS

D240,762 S *	7/1976	Fraker	.....	D26/51
D543,651 S *	5/2007	Hargreaves	.....	D26/76
D565,515 S *	4/2008	Chen	.....	D13/180
D580,087 S *	11/2008	Couture et al.	.....	D26/76
D592,785 S *	5/2009	Bisberg et al.	.....	D26/76
D595,444 S *	6/2009	Shimomura	.....	D26/76
D595,887 S *	7/2009	Blom	.....	D26/76
D617,928 S *	6/2010	Fredricks	.....	D26/51
D630,785 S *	1/2011	Kim et al.	.....	D26/63
D642,326 S *	7/2011	Leadford et al.	.....	D26/138
D650,111 S *	12/2011	Herremans	.....	D26/84
8,388,163 B2 *	3/2013	Crabb et al.	.....	362/101
D690,839 S *	10/2013	Wang	.....	D26/24
D690,844 S *	10/2013	Wang	.....	D26/24
D690,845 S *	10/2013	Wang	.....	D26/24
D690,846 S *	10/2013	Wang	.....	D26/24
D690,847 S *	10/2013	Wang	.....	D26/24

D696,439 S *	12/2013	He et al.	.....	D26/24
D696,801 S *	12/2013	He et al.	.....	D26/24
D699,880 S *	2/2014	Szoke	.....	D26/74
8,777,450 B2 *	7/2014	Miura	.....	362/249.02
8,814,383 B2 *	8/2014	Bizzotto et al.	.....	362/237
D712,582 S *	9/2014	Yanping	.....	D26/74
2004/0042203 A1 *	3/2004	Ladstatter	.....	362/147
2008/0266836 A1 *	10/2008	Hadley	.....	362/101
2008/0290816 A1 *	11/2008	Chen et al.	.....	315/294

\* cited by examiner

*Primary Examiner* — Ian Simmons

*Assistant Examiner* — Carissa C Fitts

(74) *Attorney, Agent, or Firm* — Guice Patents PLLC

(57) **CLAIM**

The ornamental design for a LED string light for aquarium, as shown and described.

**DESCRIPTION**

FIG. 1 is a perspective view of a LED string light for aquarium showing my new design;

FIG. 2 is a front elevation view thereof;

FIG. 3 is a rear elevation view thereof;

FIG. 4 is a left side elevation view thereof;

FIG. 5 is a right side elevation view thereof;

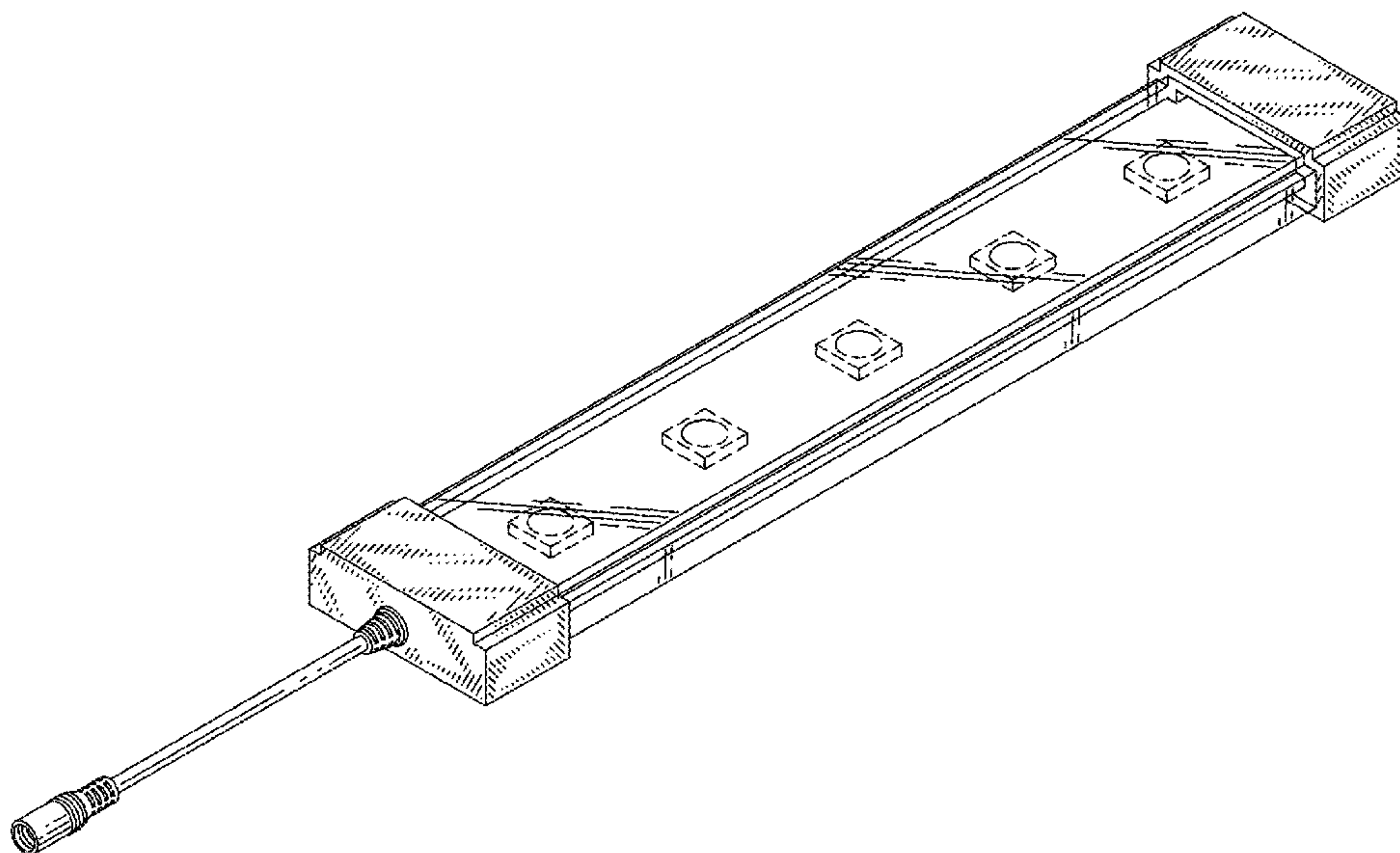
FIG. 6 is a top view thereof; and,

FIG. 7 is a bottom view thereof.

The dash dash broken line showing of the LED lights is for environmental purposes only and forms no part of the claimed design.

The dash dot dash break lines has been applied along the length to the light to show indeterminate length, with the understanding that the undisclosed portions of the light not shown in the drawings forms no part of the claim design. Patentability is based only on those portions of the article that are shown in solid lines.

**1 Claim, 4 Drawing Sheets**



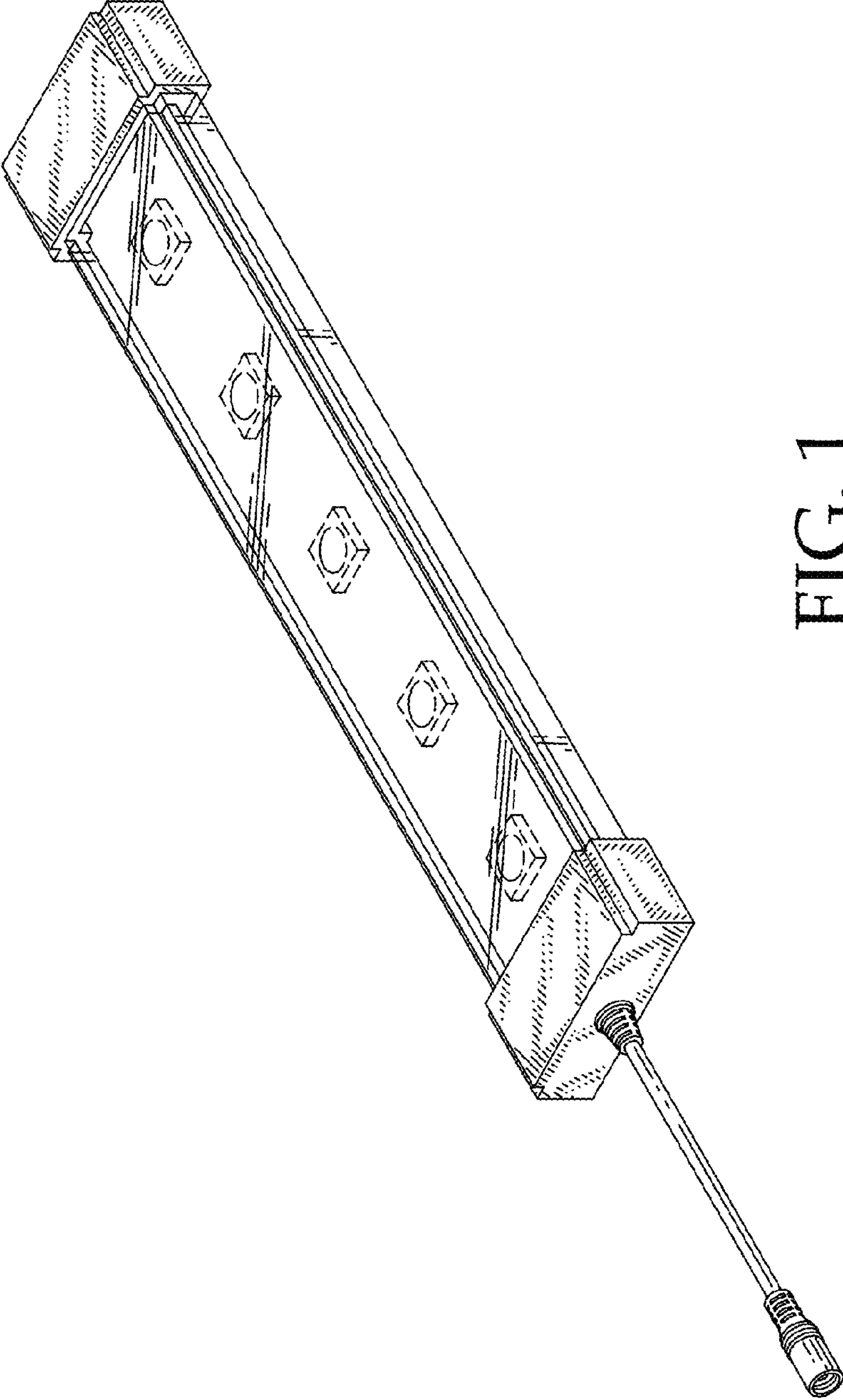


FIG. 1

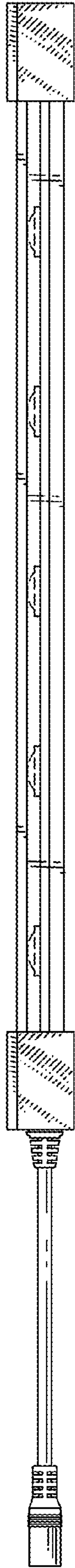


FIG. 2

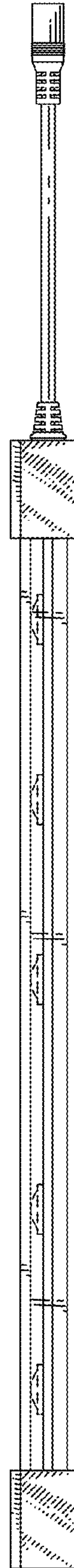


FIG. 3

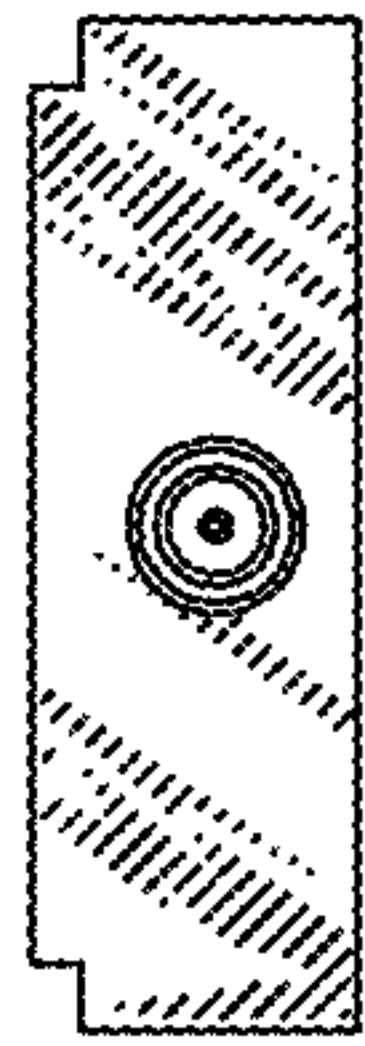


FIG. 4



FIG. 5

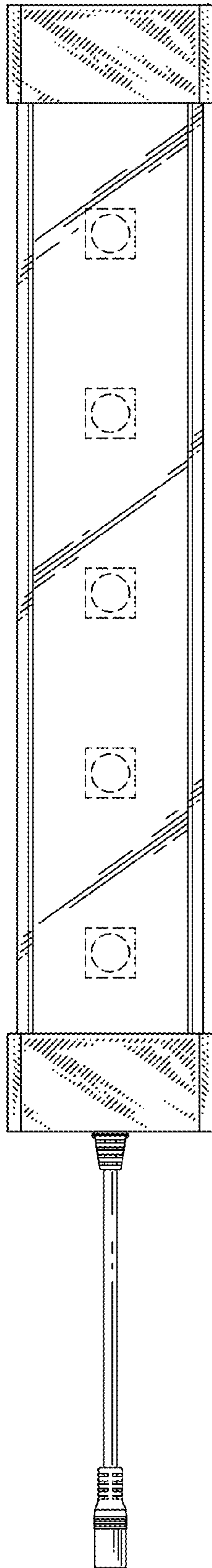


FIG. 6

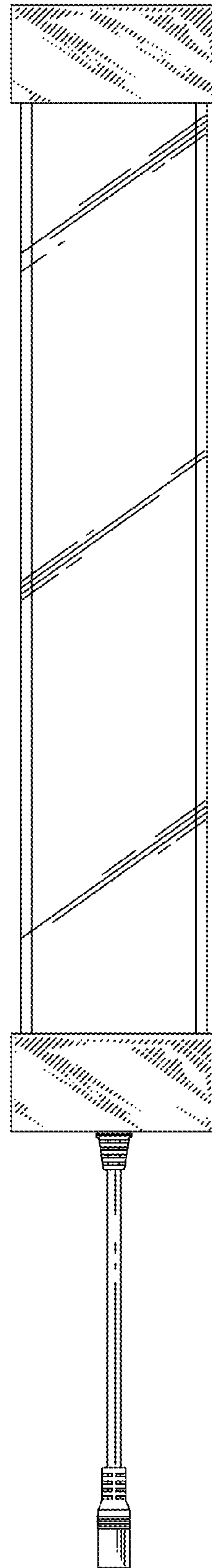


FIG. 7