



US00D722713S

(12) **United States Design Patent**
Burns

(10) **Patent No.:** **US D722,713 S**

(45) **Date of Patent:** **** Feb. 17, 2015**

(54) **HOUSING FOR A DRIVING LIGHT**

(71) Applicant: **Lightforce Australia Pty Ltd.,**
Hindmarsh (AU)

(72) Inventor: **Desmond H. Burns,** Hove (AU)

(73) Assignee: **Lightforce Australia Pty Ltd.,**
Hindmarsh (AU)

(**) Term: **14 Years**

(21) Appl. No.: **29/467,859**

(22) Filed: **Sep. 24, 2013**

(51) **LOC (10) Cl.** **26-06**

(52) **U.S. Cl.**
USPC **D26/28**

(58) **Field of Classification Search**
USPC D26/28-36; 362/459-468, 475-478,
362/485-487

See application file for complete search history.

(56) **References Cited**

U.S. PATENT DOCUMENTS

D490,172 S * 5/2004 Yamamoto D26/28
D521,162 S * 5/2006 Campagna D26/28

D564,683 S * 3/2008 Roach et al. D26/28
D570,011 S * 5/2008 Huang D26/28
D585,575 S 1/2009 Crispin et al.
D638,963 S * 5/2011 Huang D26/28

* cited by examiner

Primary Examiner — Marcus Jackson

(74) *Attorney, Agent, or Firm* — Wood, Herron & Evans,
LLP

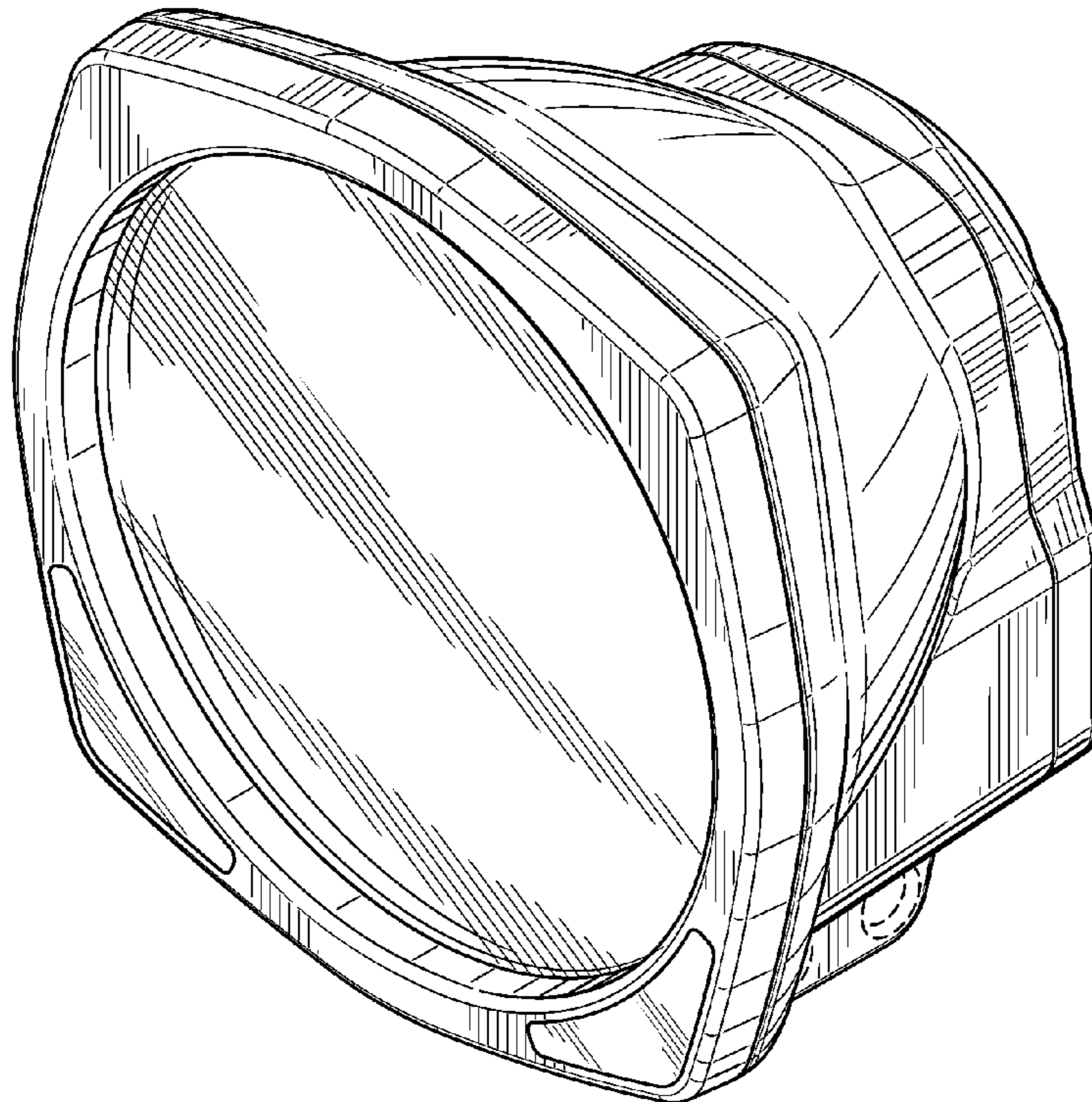
(57) **CLAIM**

The ornamental design for a housing for a driving light, as shown and described.

DESCRIPTION

FIG. 1 is a front isometric view of the housing for a driving light;
FIG. 2 is a rear isometric view;
FIG. 3 is a front elevational view;
FIG. 4 is a right side elevational view, the left side being a mirror image thereof;
FIG. 5 is a top plan view;
FIG. 6 is a rear elevational view;
FIG. 7 is a bottom plan view;
FIG. 8 is a front isometric view of a second embodiment; and,
FIG. 9 is a front elevational view of the second embodiment.

1 Claim, 5 Drawing Sheets



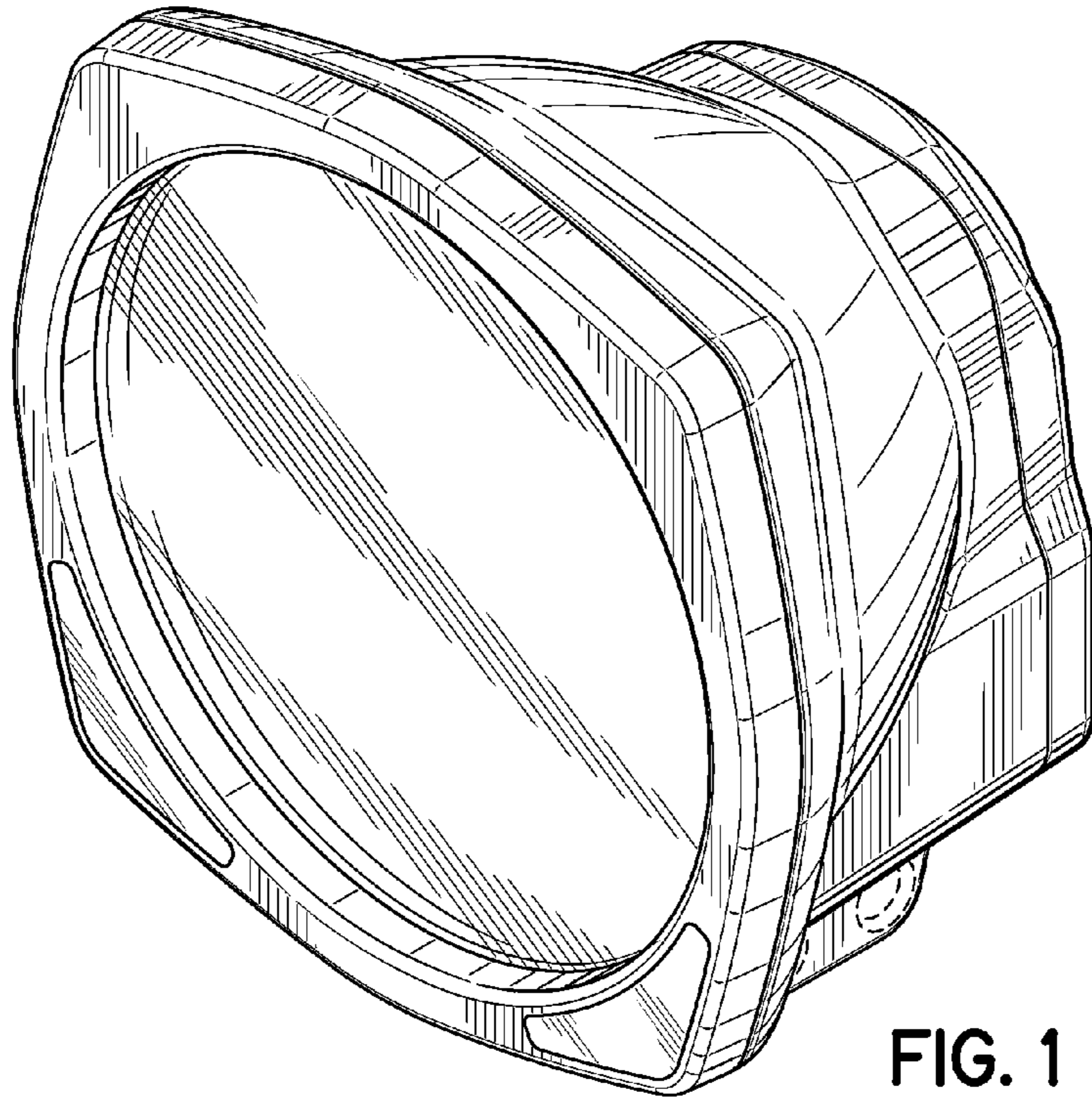


FIG. 1

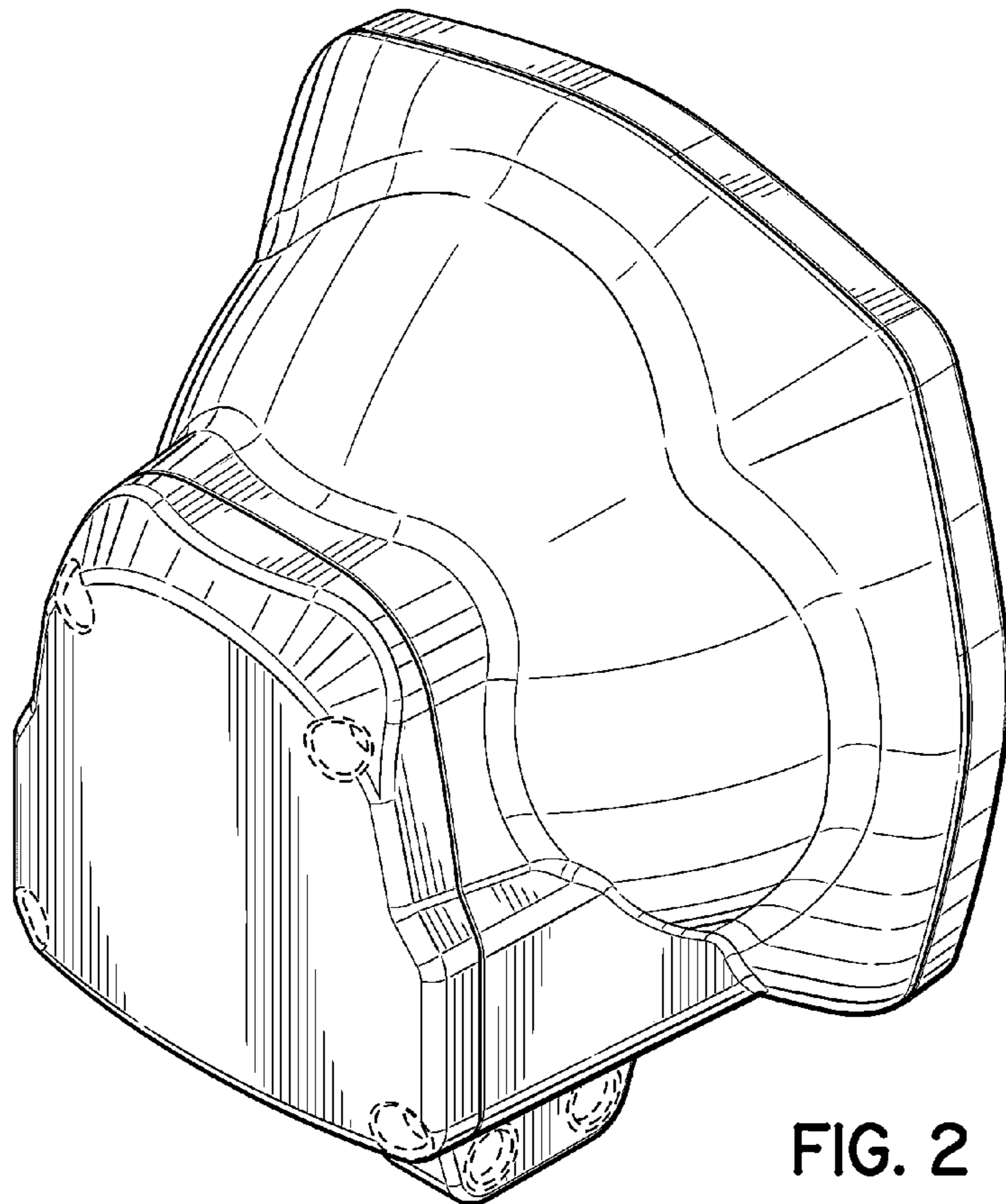


FIG. 2

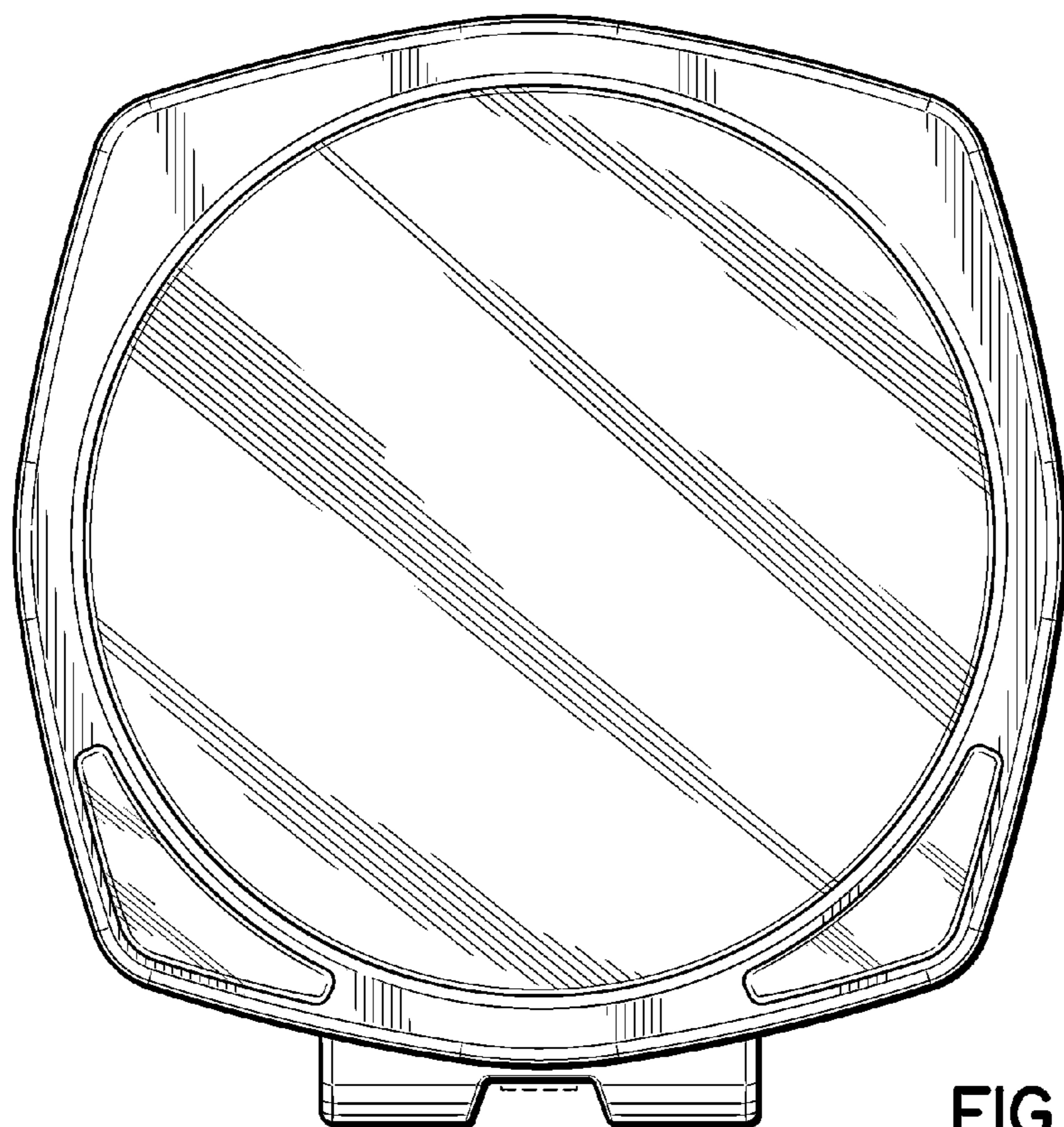


FIG. 3

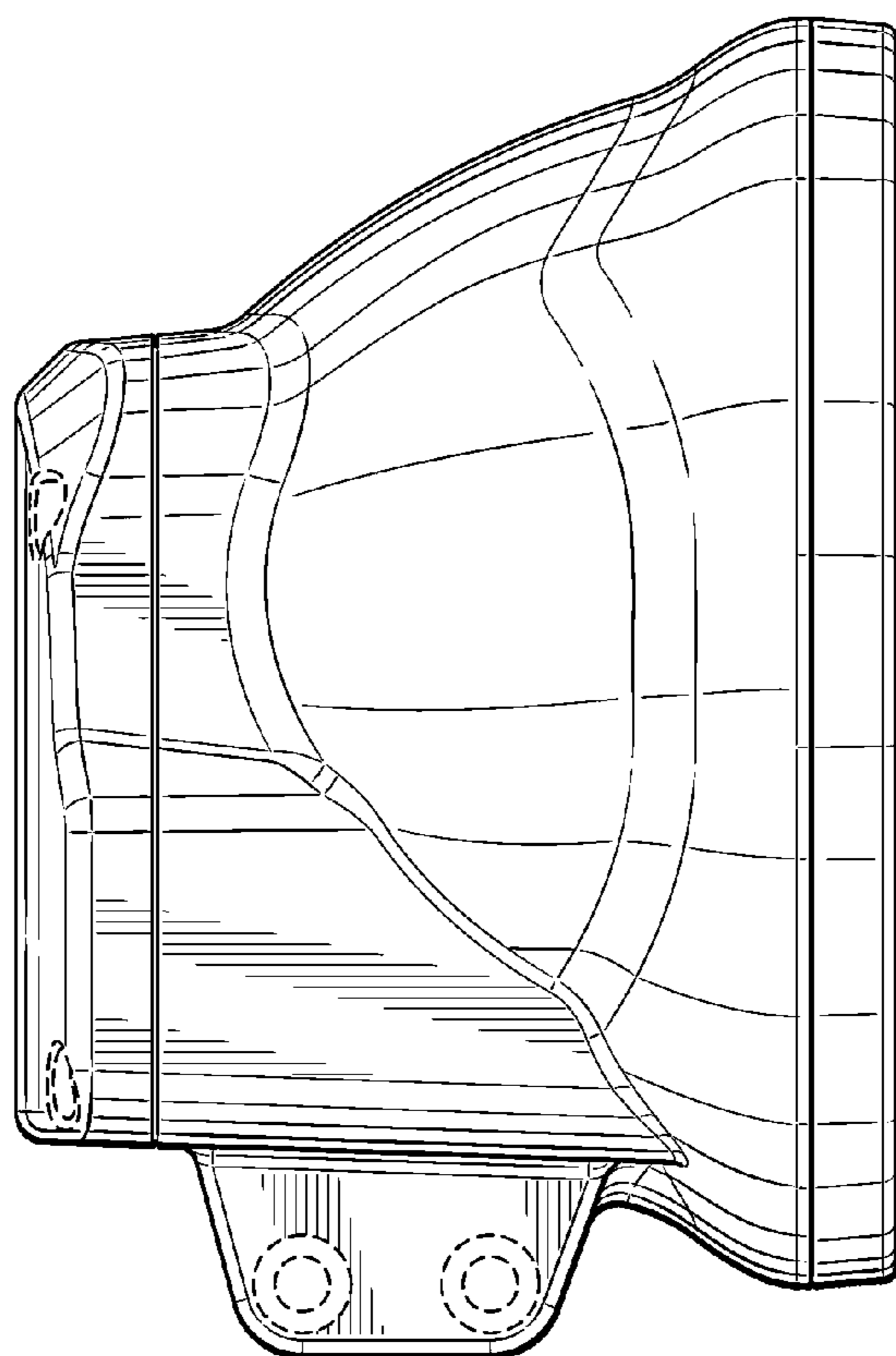


FIG. 4

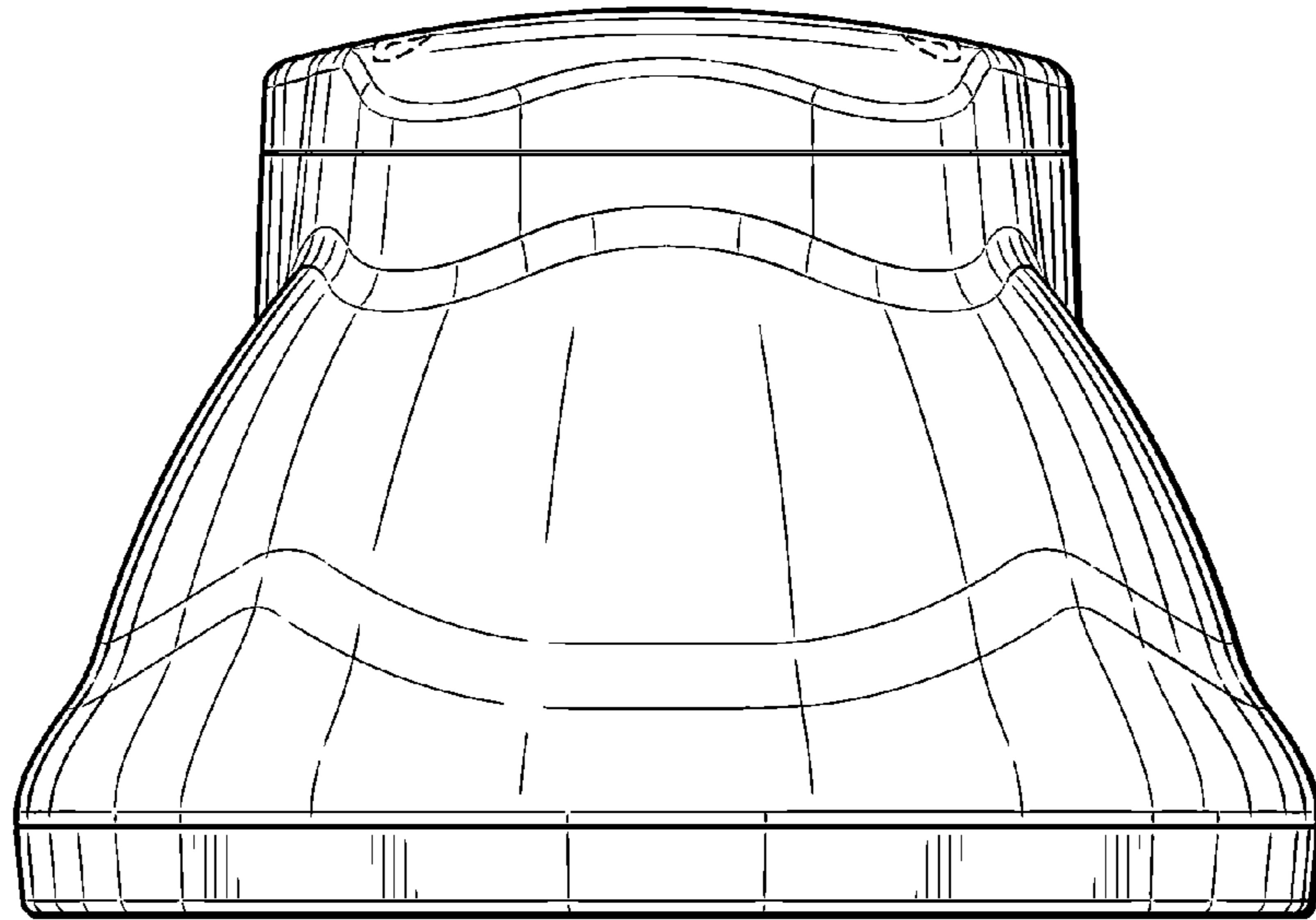


FIG. 5

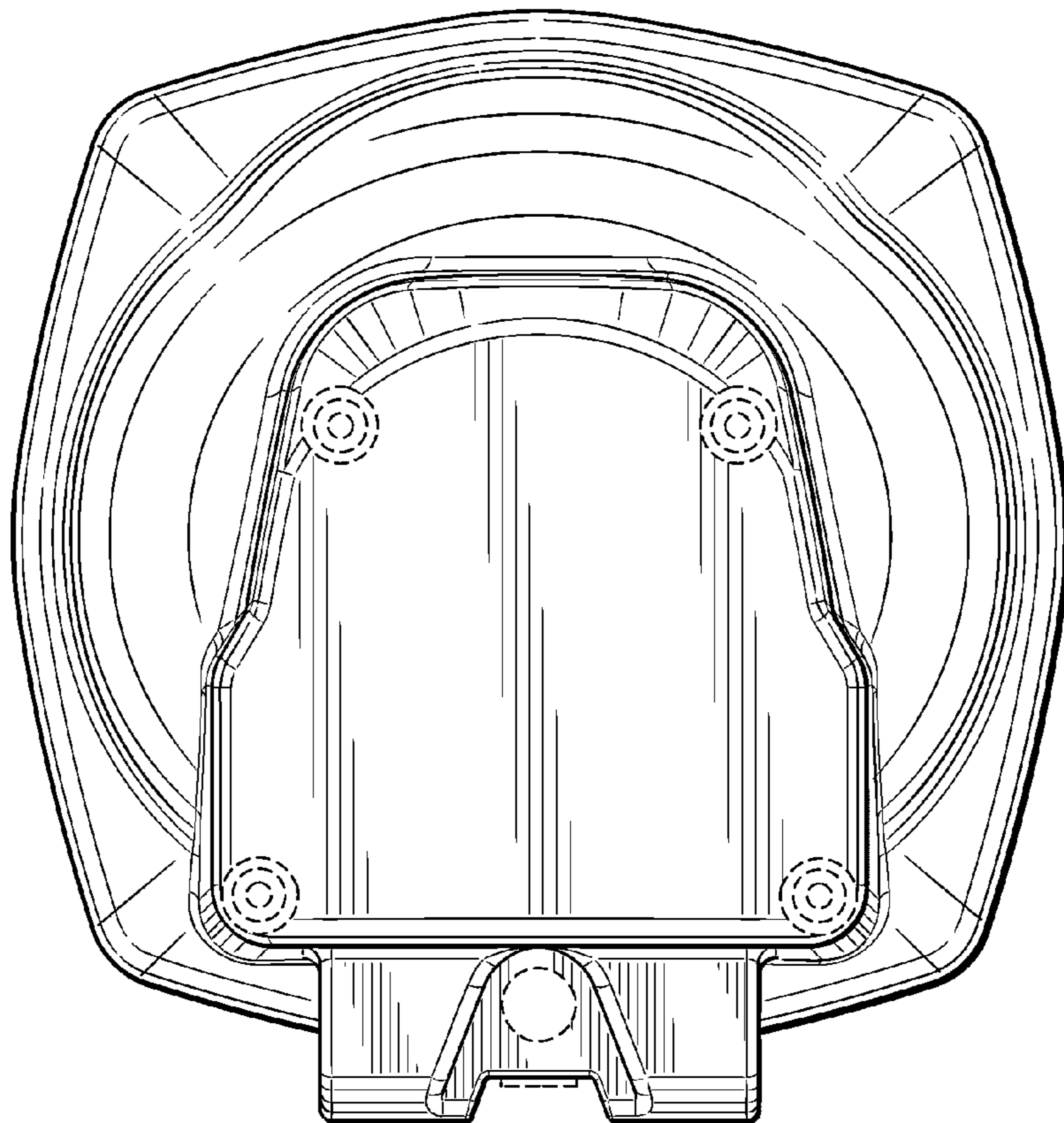


FIG. 6

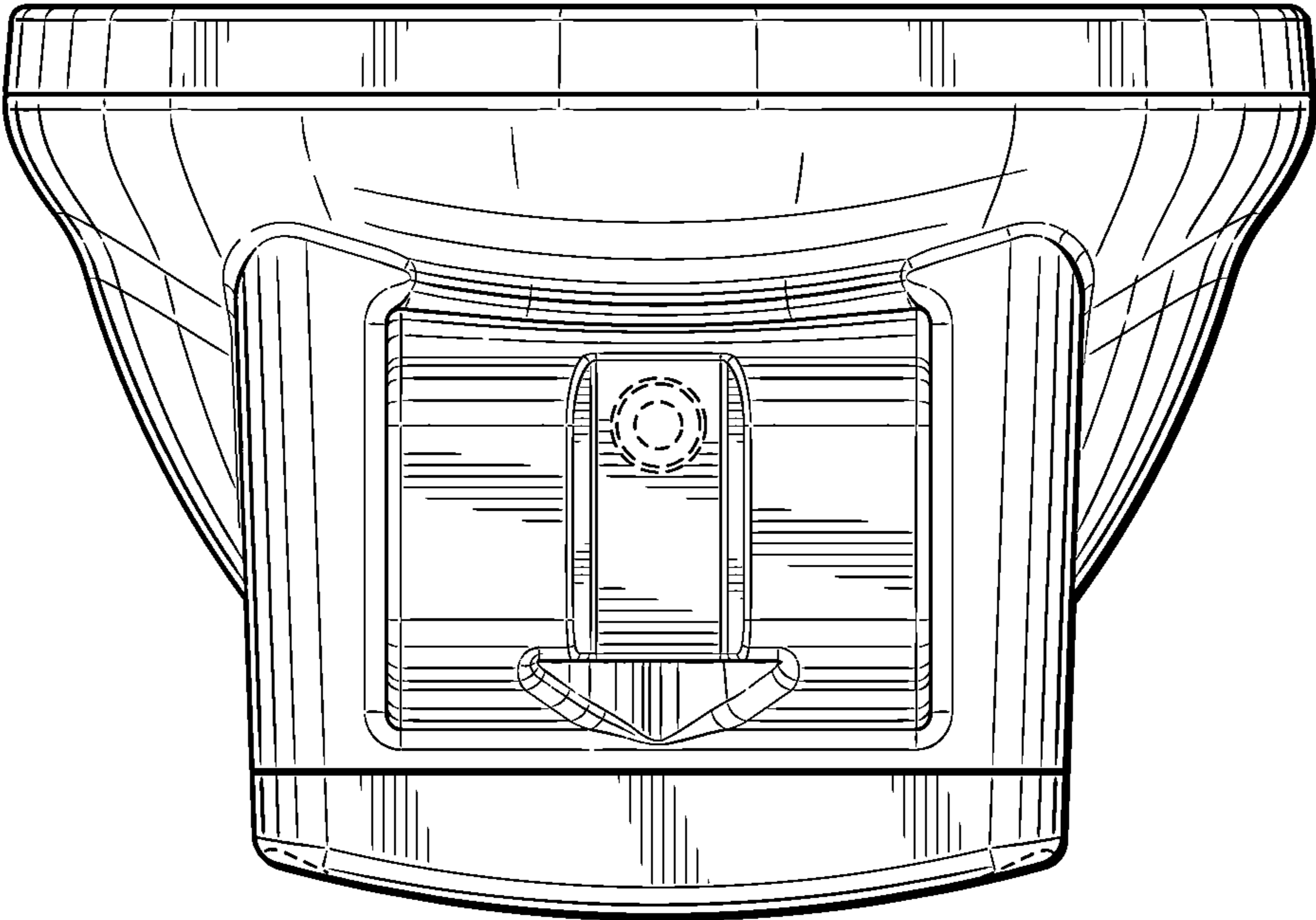


FIG. 7

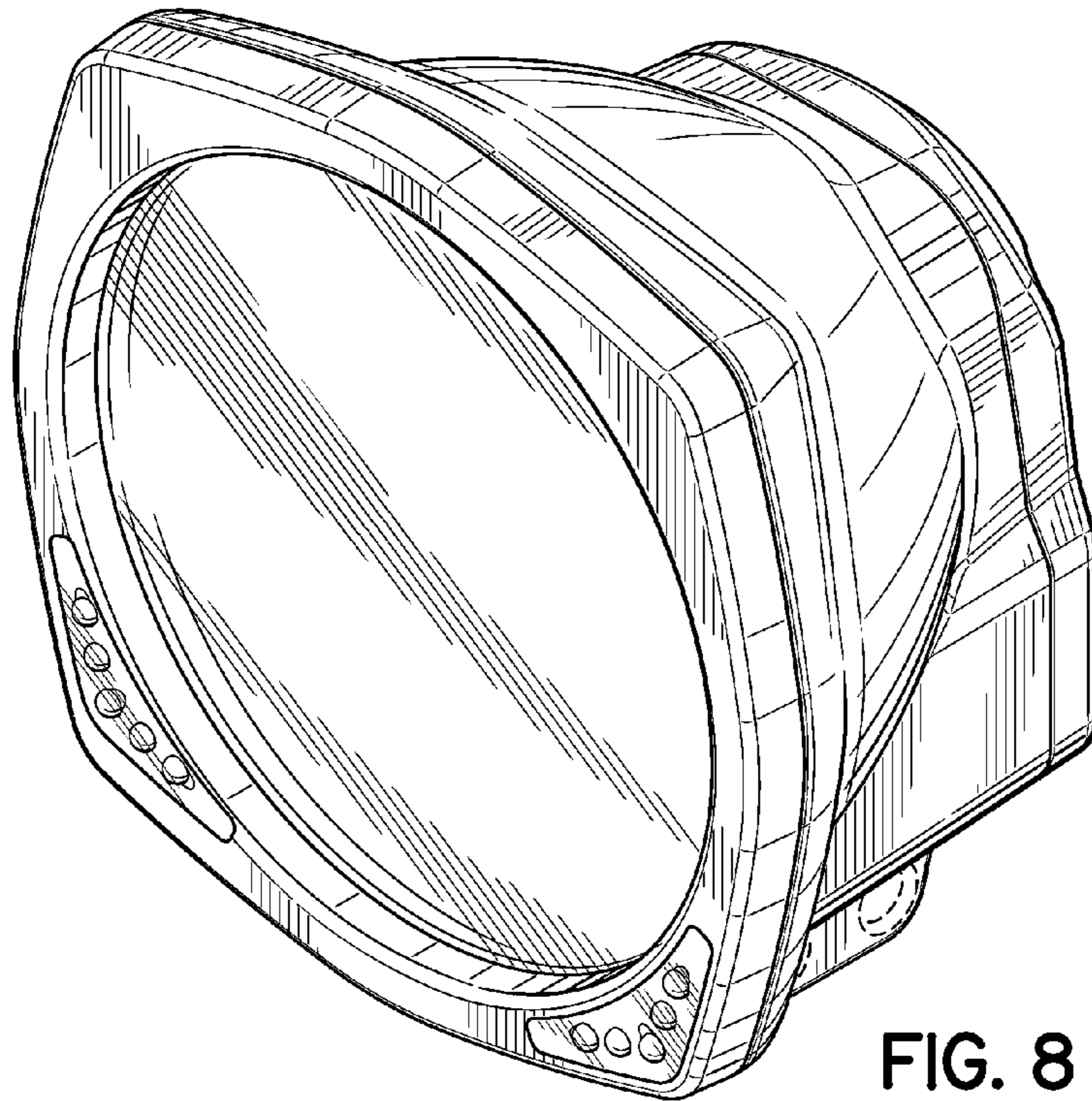


FIG. 8

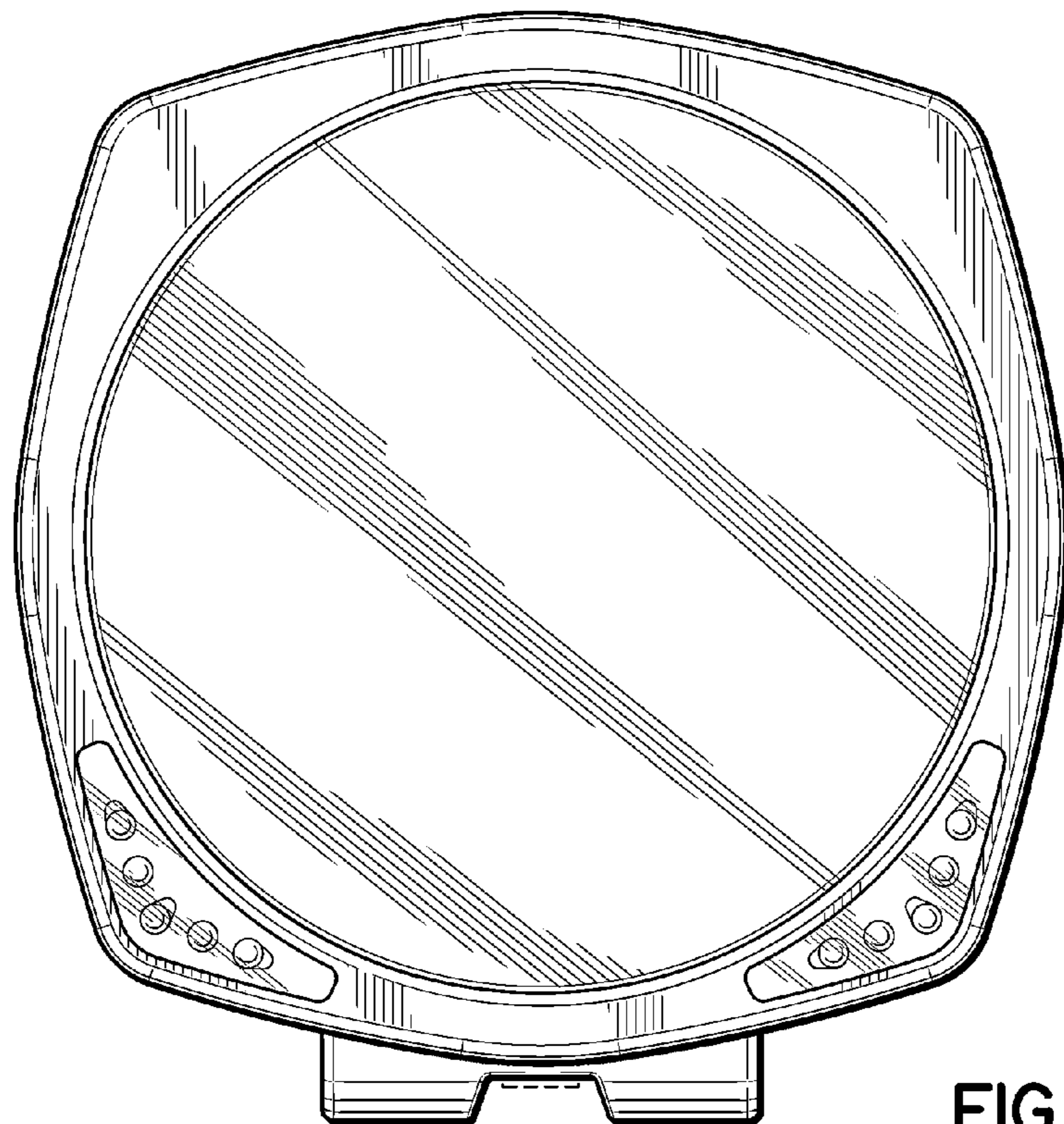


FIG. 9