



US00D722711S

(12) **United States Design Patent**  
**Gotschke**

(10) **Patent No.:** **US D722,711 S**

(45) **Date of Patent:** **\*\* \*Feb. 17, 2015**

(54) **VEHICLE TAILLIGHT**

(75) Inventor: **Wolfgang Gotschke**, Cologne (DE)

(73) Assignee: **Ford Motor Company**, Dearborn, MI (US)

(\*) Notice: This patent is subject to a terminal disclaimer.

(\*\*) Term: **14 Years**

(21) Appl. No.: **29/429,689**

(22) Filed: **Aug. 15, 2012**

(51) **LOC (10) Cl.** ..... **26-06**

(52) **U.S. Cl.**  
USPC ..... **D26/28**

(58) **Field of Classification Search**  
USPC ..... D26/28-36; 362/459-468, 475-478, 362/485-487

See application file for complete search history.

(56) **References Cited**

**U.S. PATENT DOCUMENTS**

D541,445 S \* 4/2007 Lin ..... D26/28  
D549,363 S \* 8/2007 Pfeiffer ..... D26/28  
D550,380 S \* 9/2007 Lin et al. .... D26/28

D552,769 S \* 10/2007 Leclercq ..... D26/28  
D553,268 S \* 10/2007 Pfeiffer ..... D26/28  
D553,269 S \* 10/2007 Pfeiffer et al. .... D26/28  
D565,211 S \* 3/2008 Haller et al. .... D26/28  
D570,015 S \* 5/2008 Hsu ..... D26/28  
D574,524 S \* 8/2008 Tomatsu ..... D26/28  
D580,572 S 11/2008 Lamm  
D592,775 S 5/2009 George  
D602,616 S \* 10/2009 Okamura et al. .... D26/28  
D605,793 S \* 12/2009 Weil ..... D26/28  
D606,683 S 12/2009 George

\* cited by examiner

*Primary Examiner* — Marcus Jackson

(74) *Attorney, Agent, or Firm* — Damian Porcari

(57) **CLAIM**

The ornamental design for a vehicle taillight, shown and described.

**DESCRIPTION**

FIG. 1 is a left side elevational view of a left vehicle taillight (the right vehicle taillight being a mirror image and is not shown);

FIG. 2 is right side elevational view of the vehicle taillight;

FIG. 3 is a front elevational view of the vehicle taillight;

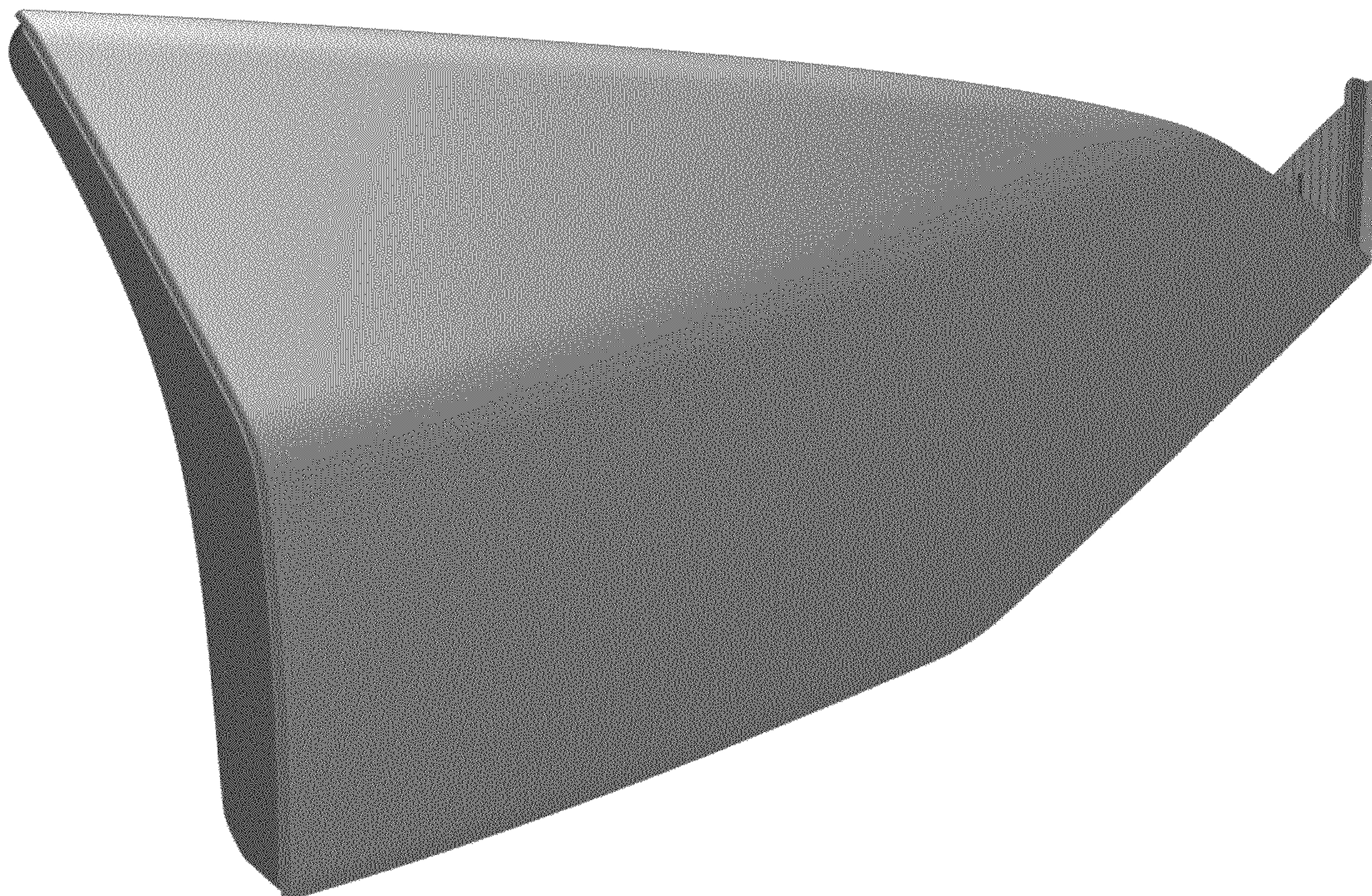
FIG. 4 is a top plan view of the vehicle taillight;

FIG. 5 is a bottom plan view of the vehicle taillight;

FIG. 6 is a perspective view of the vehicle taillight; and,

FIG. 7 is another perspective view of the vehicle taillight.

**1 Claim, 7 Drawing Sheets**



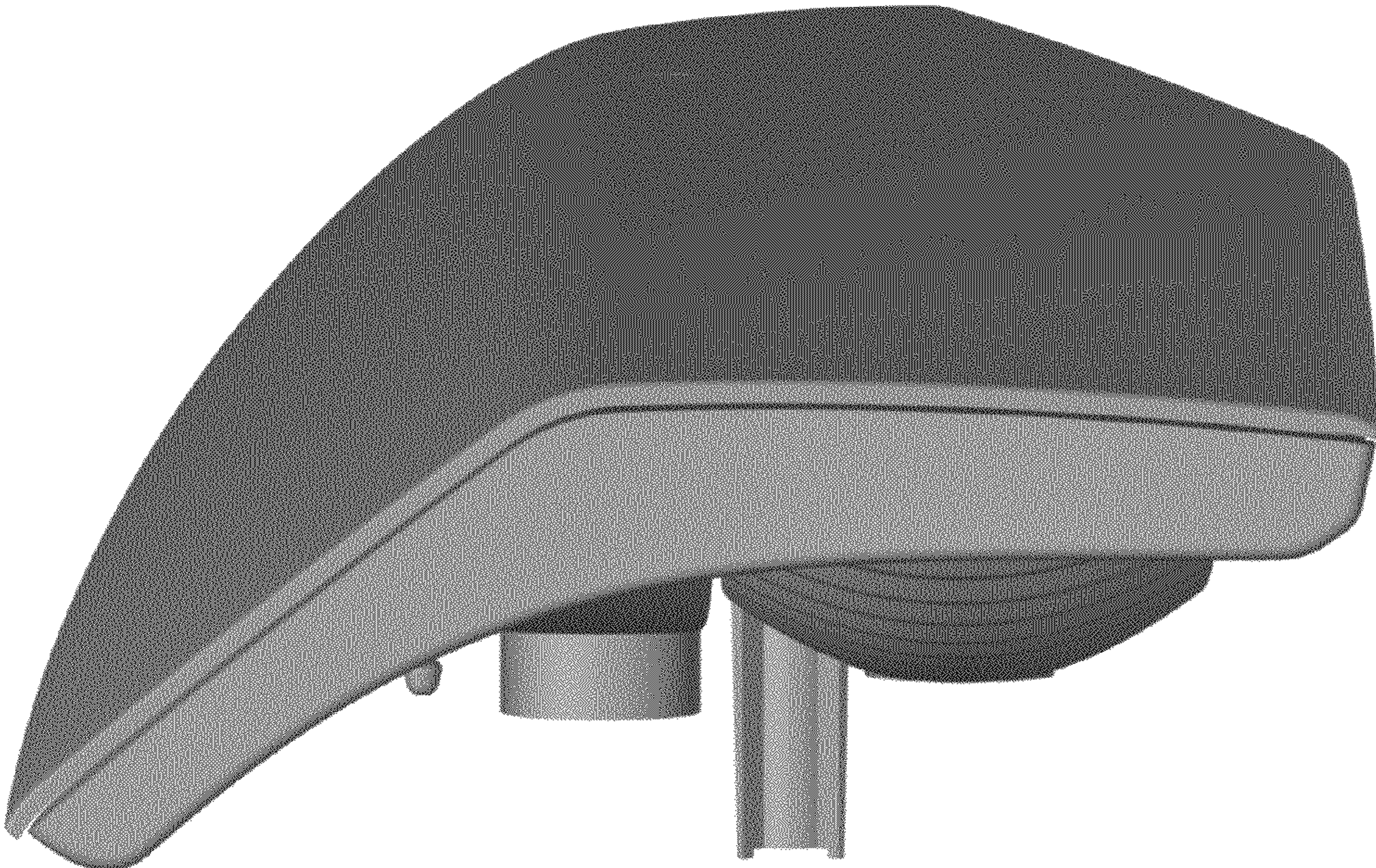


Figure 1

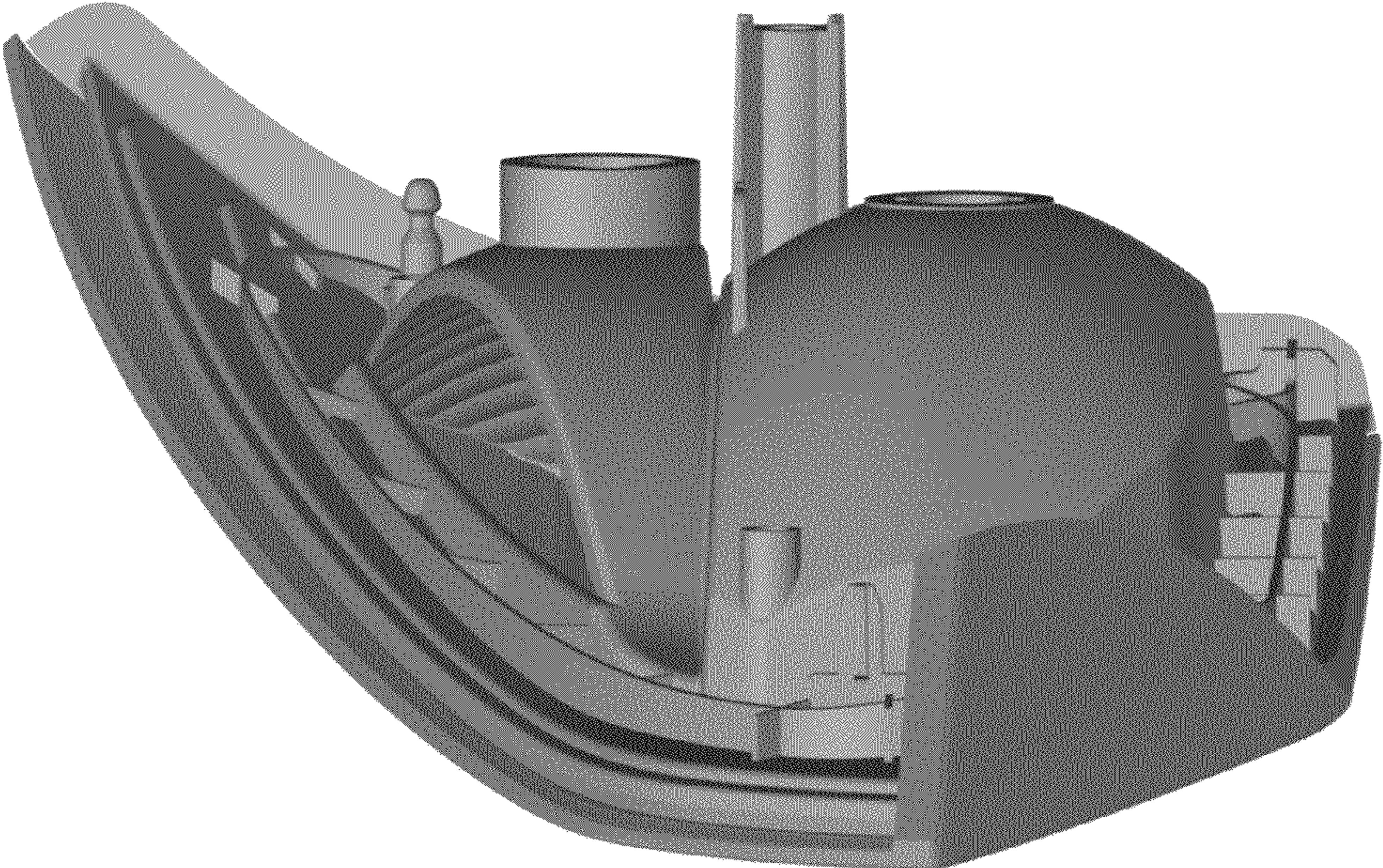


Figure 2

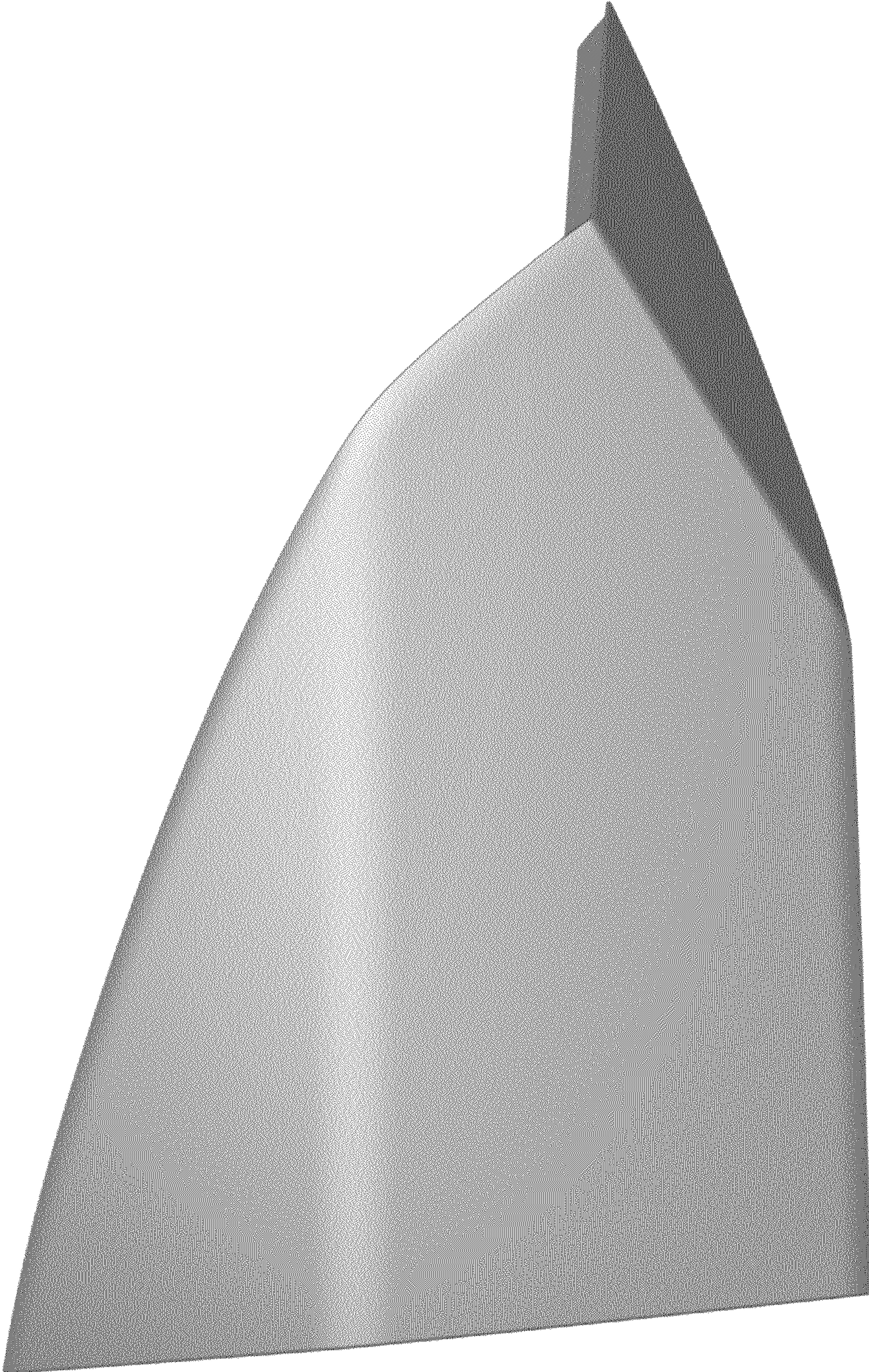


Figure 3

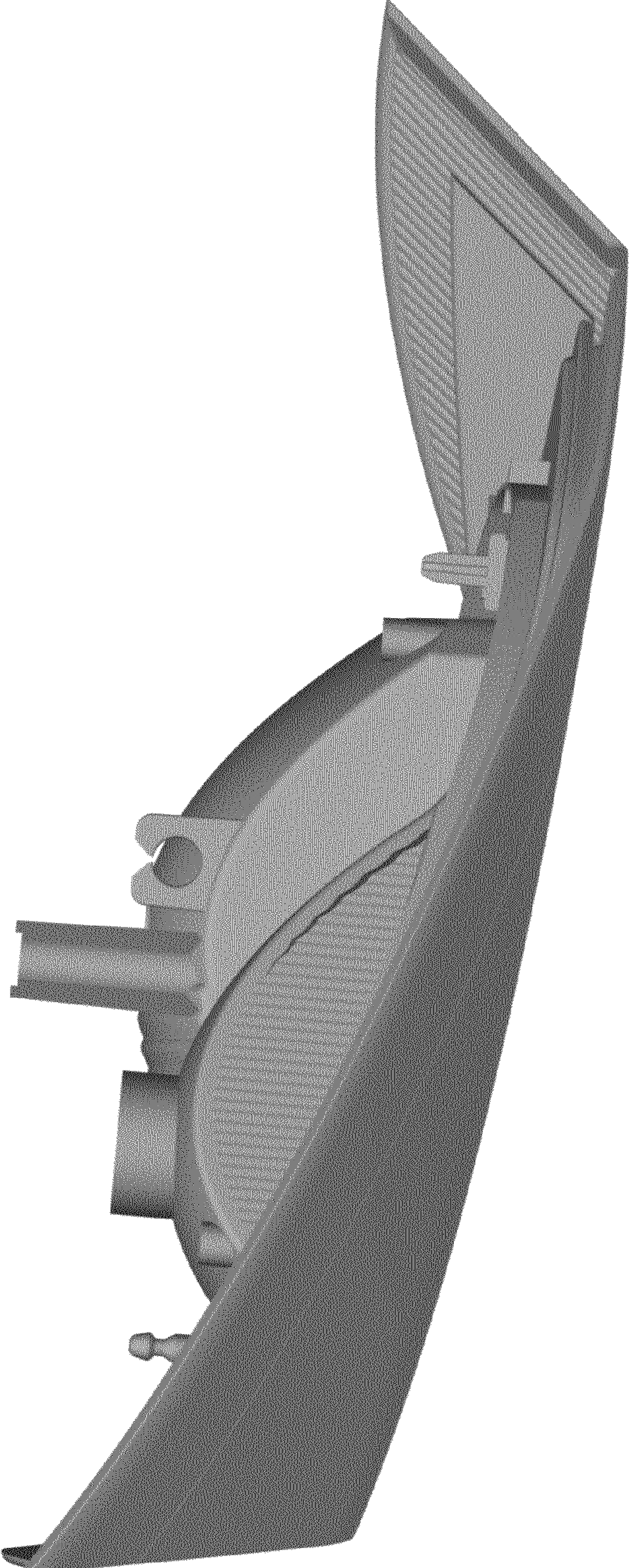


Figure 4

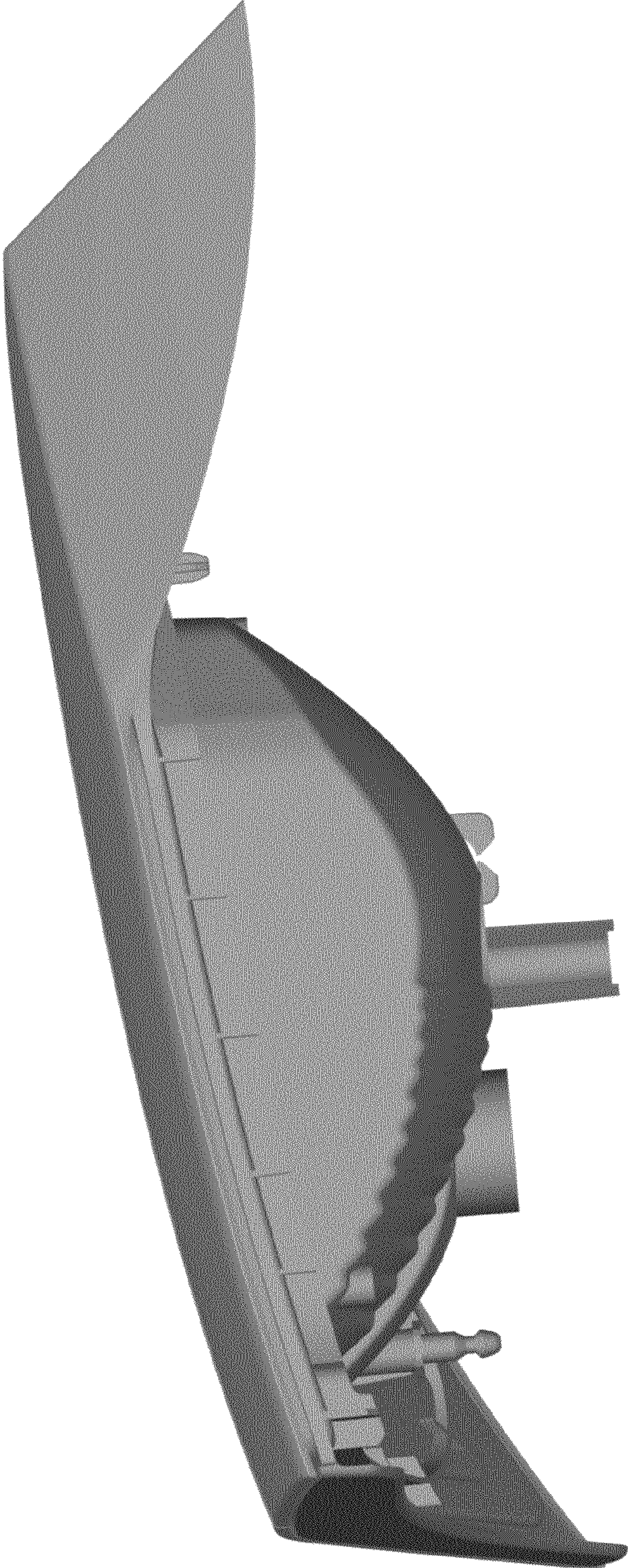


Figure 5

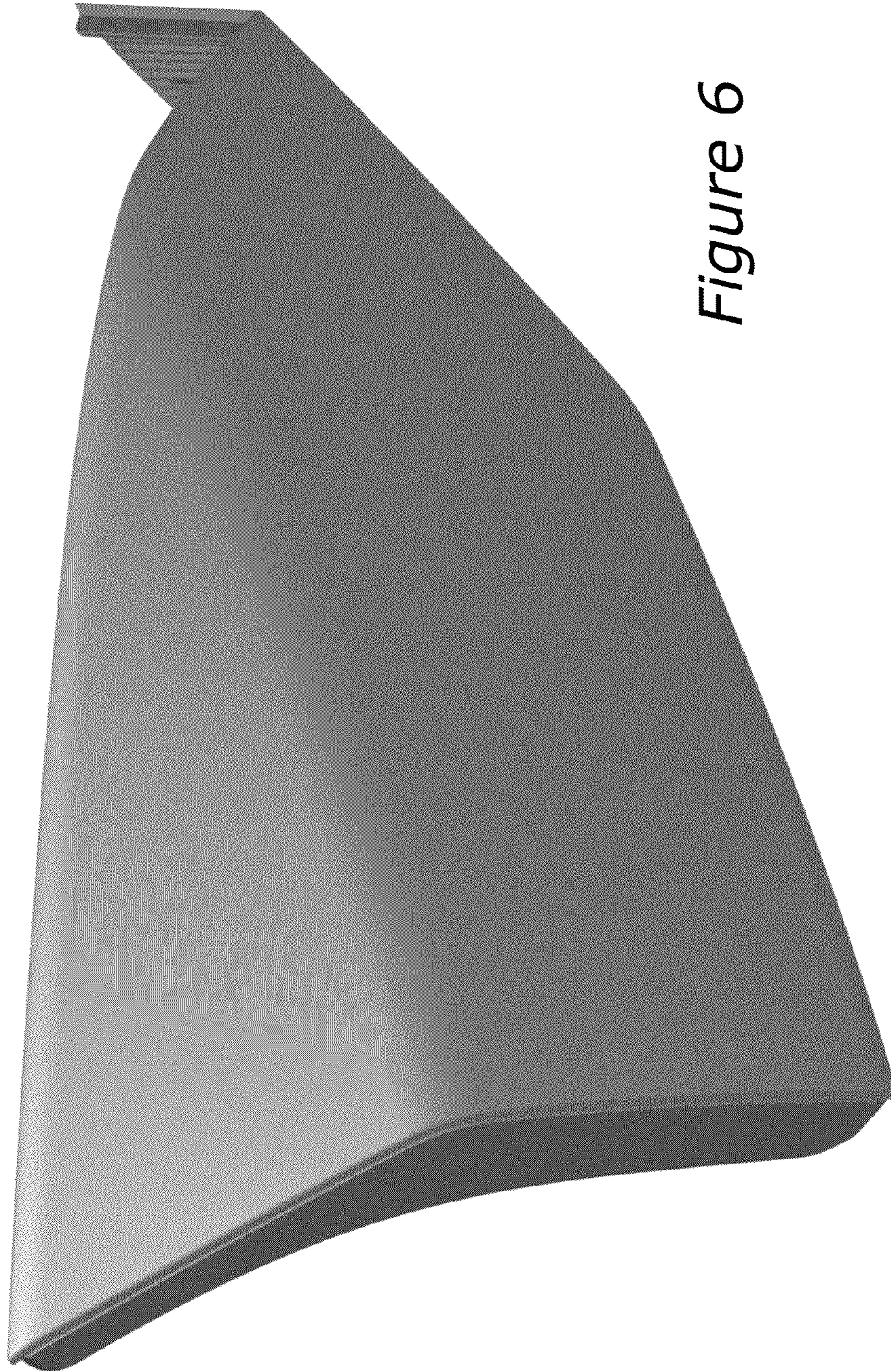


Figure 6

Figure 7

