



US00D722709S

(12) **United States Design Patent**
Bosua

(10) **Patent No.:** **US D722,709 S**

(45) **Date of Patent:** **** Feb. 17, 2015**

(54) **LED LIGHT BULB**

(71) Applicant: **LIFI Labs Inc.**, San Francisco, CA (US)

(72) Inventor: **Phillip Bosua**, Ferny Creek (AU)

(73) Assignee: **LIFI Labs, Inc.**, San Francisco, CA (US)

(**) Term: **14 Years**

(21) Appl. No.: **29/464,161**

(22) Filed: **Aug. 13, 2013**

(30) **Foreign Application Priority Data**

Feb. 14, 2013 (AU) 10730/2013

(51) **LOC (10) Cl.** **26-04**

(52) **U.S. Cl.**
USPC **D26/2**

(58) **Field of Classification Search**
USPC D26/1-4; 313/313, 315, 316, 317, 318,
313/493; 315/52, 53, 56, 57, 58
See application file for complete search history.

(56) **References Cited**

U.S. PATENT DOCUMENTS

D553,267 S *	10/2007	Yuen	D26/2
D590,523 S *	4/2009	Takahashi	D26/2
D600,368 S *	9/2009	Bertram et al.	D26/2
D605,786 S *	12/2009	Lim	D26/2
D623,774 S *	9/2010	Tsai	D26/2

* cited by examiner

Primary Examiner — Marcus Jackson

(74) *Attorney, Agent, or Firm* — Jeffrey Schox

(57) **CLAIM**

The ornamental design for a LED light bulb, as shown and described.

DESCRIPTION

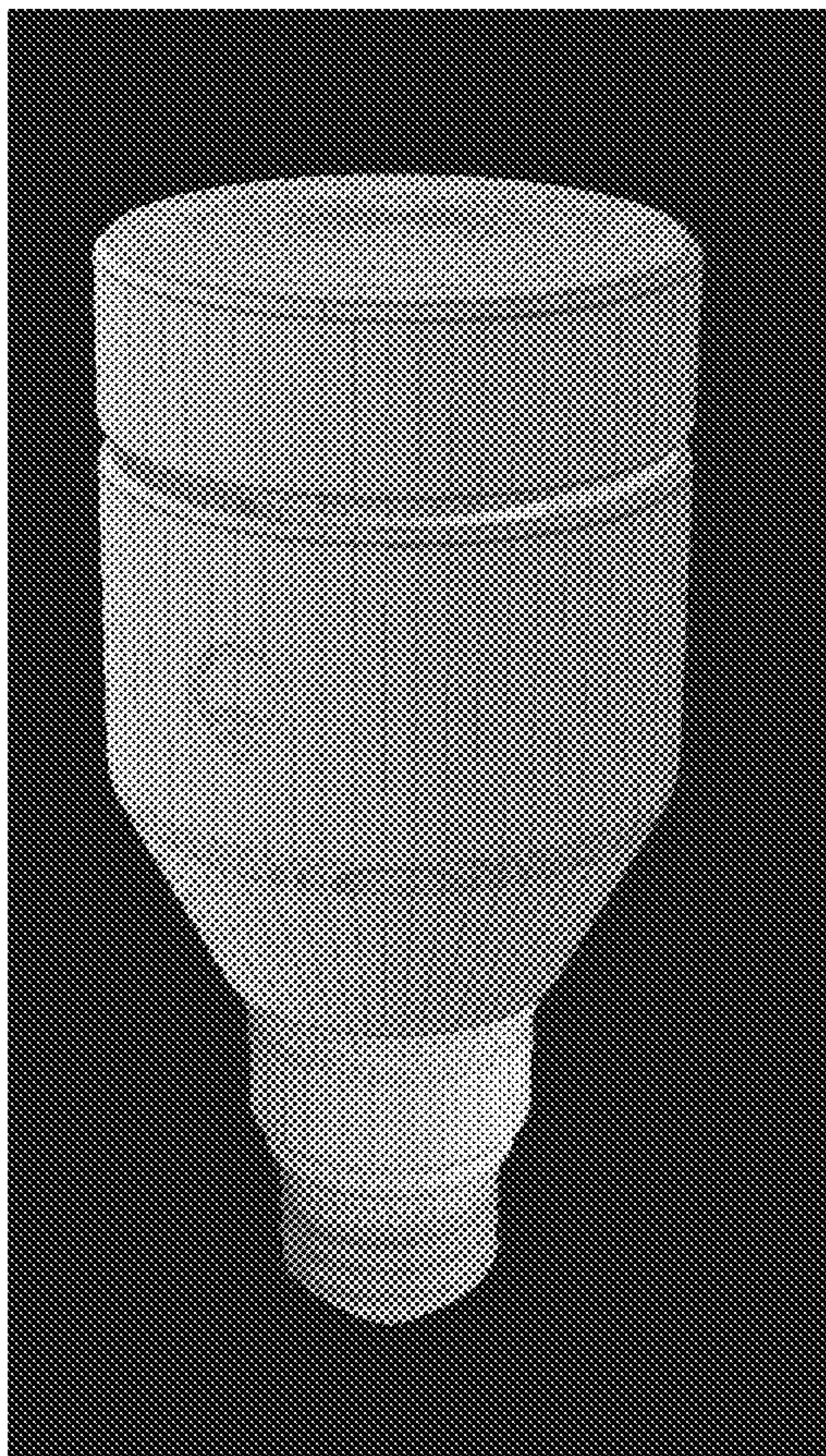
FIG. 1 is a side perspective view of a LED light bulb showing the new design;

FIG. 2 is a side view thereof; and,

FIG. 3 is a bottom perspective view thereof.

The surface lines and graphics are not part of the claimed design.

1 Claim, 3 Drawing Sheets



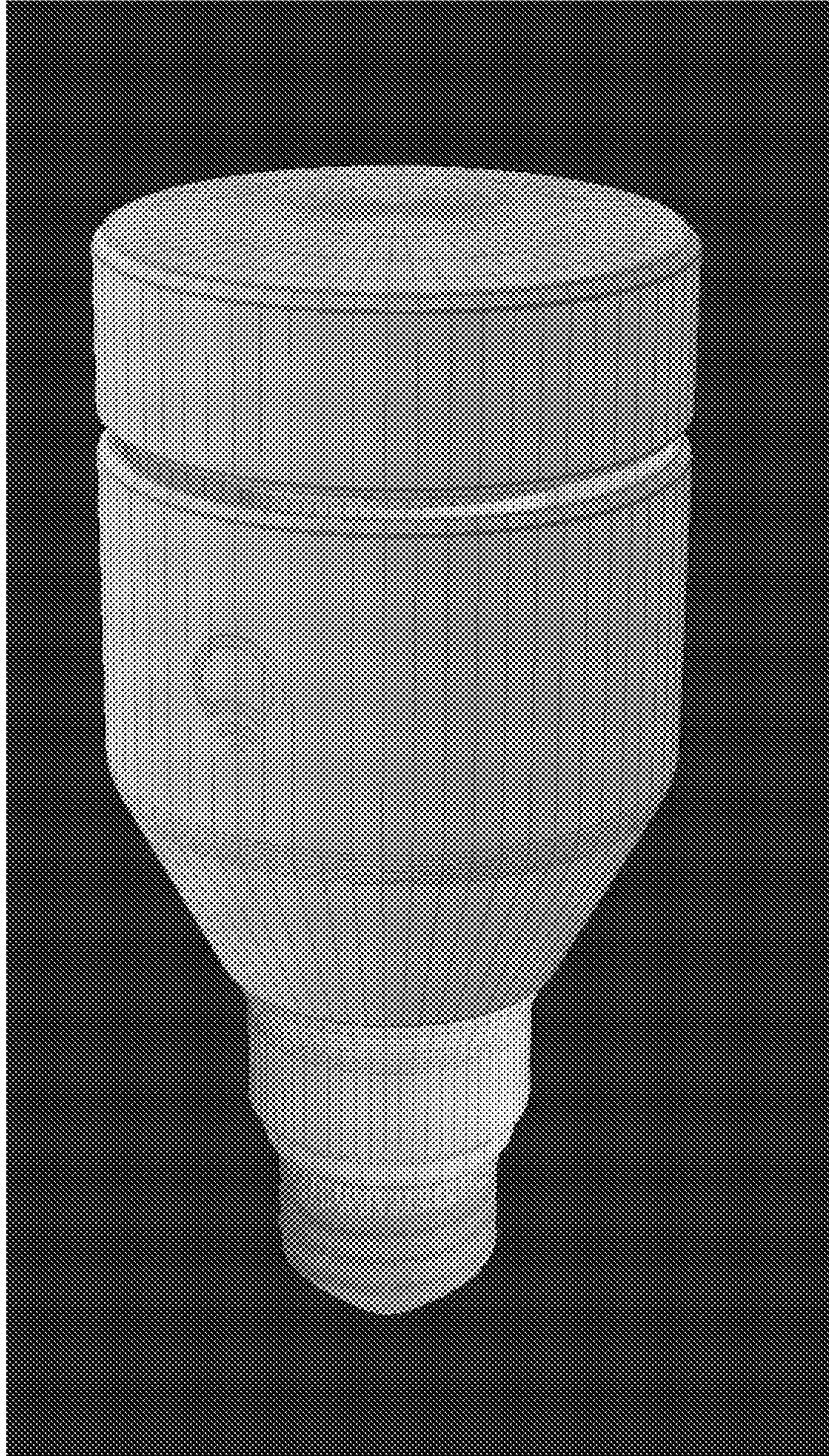


Fig. 1

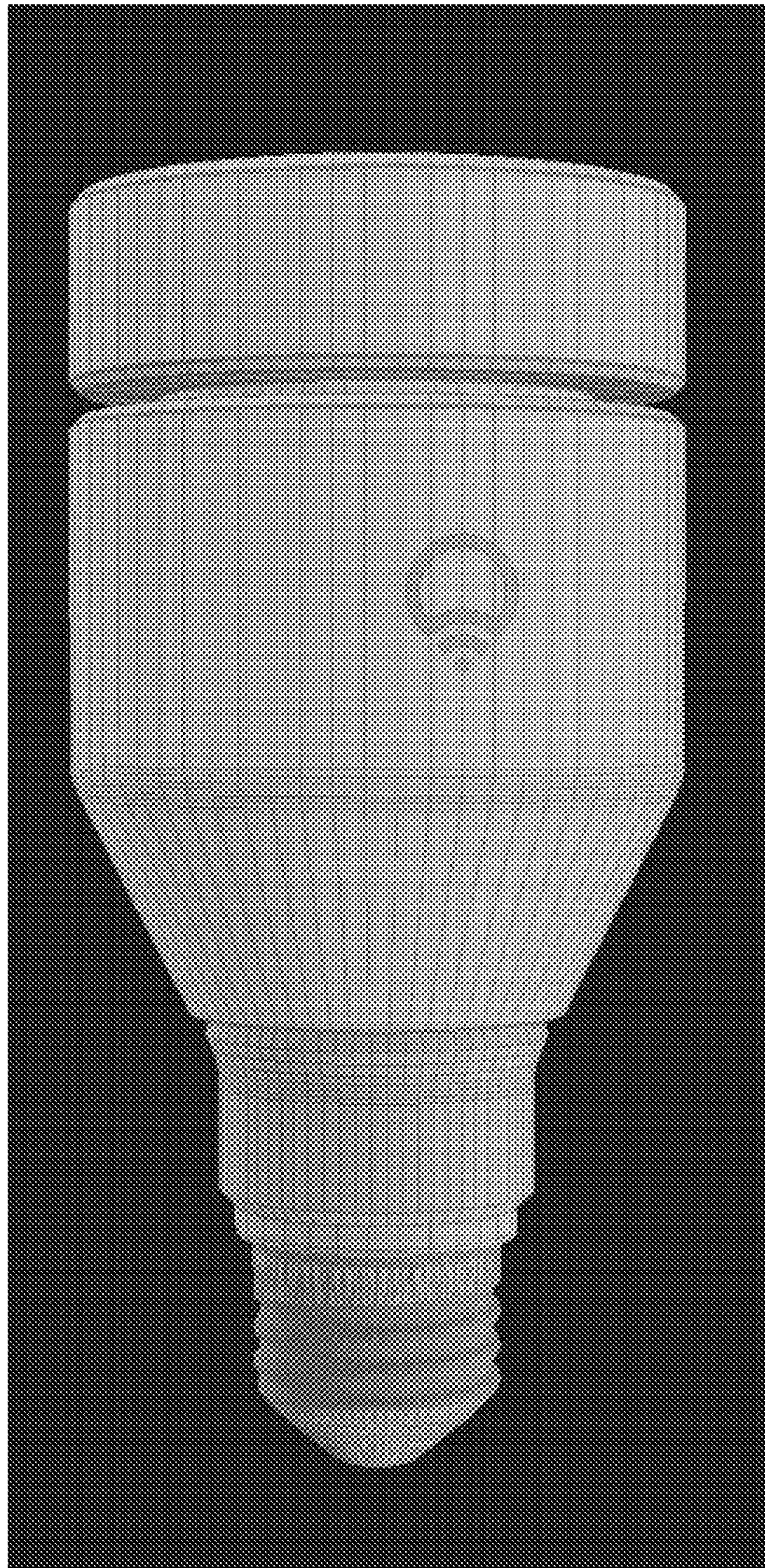


Fig. 2

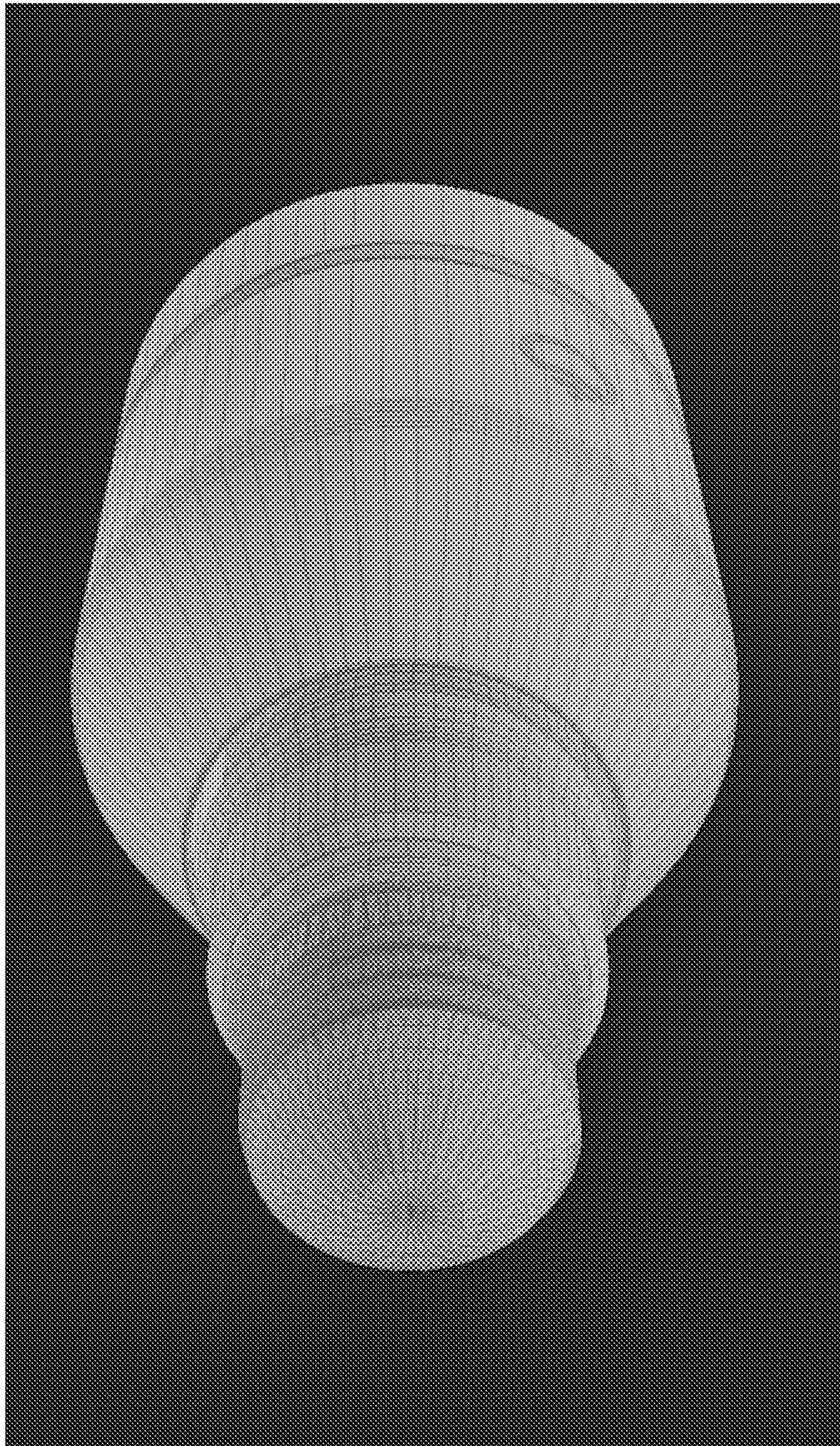


Fig. 3