



US00D722692S

(12) **United States Design Patent**
Chen et al.

(10) **Patent No.:** **US D722,692 S**
(45) **Date of Patent:** **** Feb. 17, 2015**

(54) **TATTOO MACHINE**

(71) Applicants: **Michael Chen**, Irvine, CA (US); **Wen Wei**, San Ramon, CA (US); **Billy Chen**, Irvine, CA (US)

(72) Inventors: **Michael Chen**, Irvine, CA (US); **Wen Wei**, San Ramon, CA (US); **Billy Chen**, Irvine, CA (US)

(**) Term: **14 Years**

(21) Appl. No.: **29/462,534**

(22) Filed: **Aug. 5, 2013**

(51) **LOC (10) Cl.** **24-02**

(52) **U.S. Cl.**
USPC **D24/144**

(58) **Field of Classification Search**
USPC D24/133, 140, 144, 146, 147; 606/9,
606/116, 186; 81/9.22
See application file for complete search history.

(56) **References Cited**

U.S. PATENT DOCUMENTS

5,054,339 A * 10/1991 Yacowitz 81/9.22
8,171,825 B1 * 5/2012 Adams 81/9.22
8,522,647 B1 * 9/2013 Dixon 81/9.22

D702,344 S * 4/2014 Huang D24/133
8,733,211 B2 * 5/2014 Snijders 81/9.22
D711,534 S * 8/2014 Huang D24/144
2011/0125179 A1 * 5/2011 Dell'Aquila et al. 606/186

* cited by examiner

Primary Examiner — Wan Laymon

Assistant Examiner — Mark Booker

(74) *Attorney, Agent, or Firm* — QuickPatents; Kevin Prince

(57) **CLAIM**

We claim the ornamental design for a tattoo machine, as shown and described.

DESCRIPTION

FIG. 1 is a front perspective view of a tattoo machine, showing our new design;
FIG. 2 is a rear perspective view thereof;
FIG. 3 is a front elevational view thereof;
FIG. 4 is a rear elevational view thereof;
FIG. 5 is a right-side elevational view thereof, the left-side elevational view being a mirror image thereof;
FIG. 6 is a top plan view thereof; and,
FIG. 7 is a bottom plan view thereof.
The broken lines in the figures depict environmental matter and form no part of the claimed design.

1 Claim, 3 Drawing Sheets

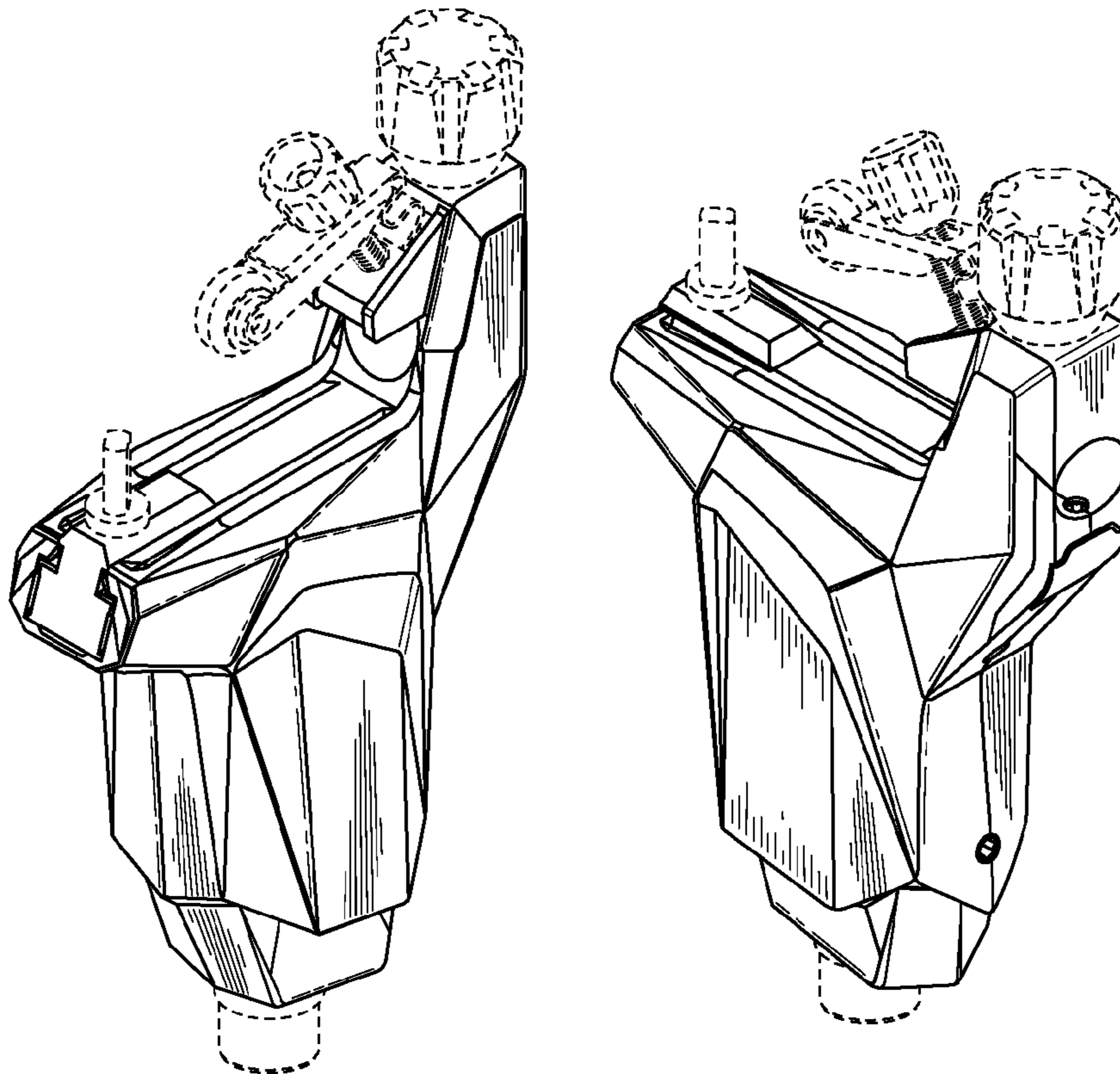




FIG. 1

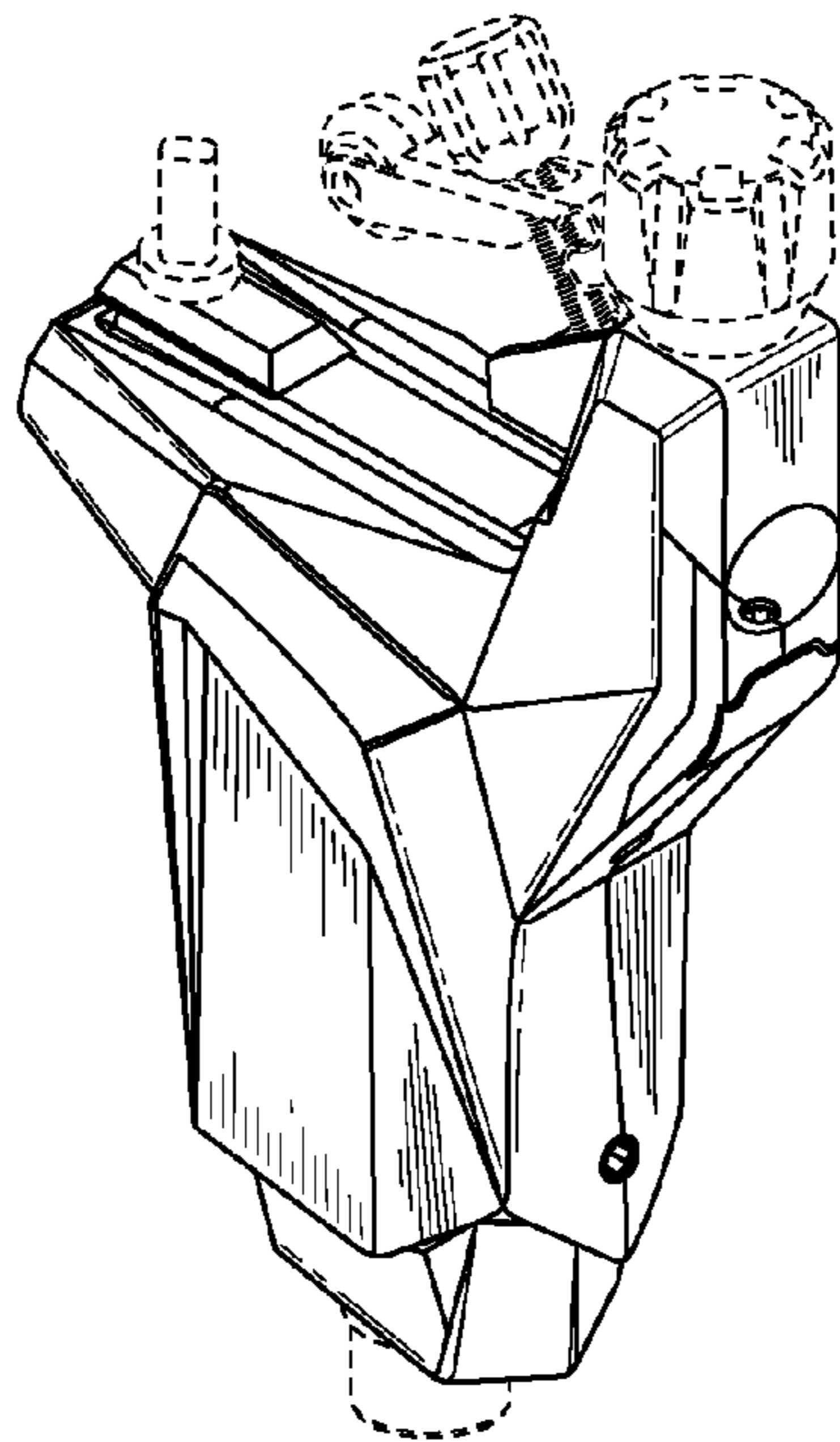


FIG. 2

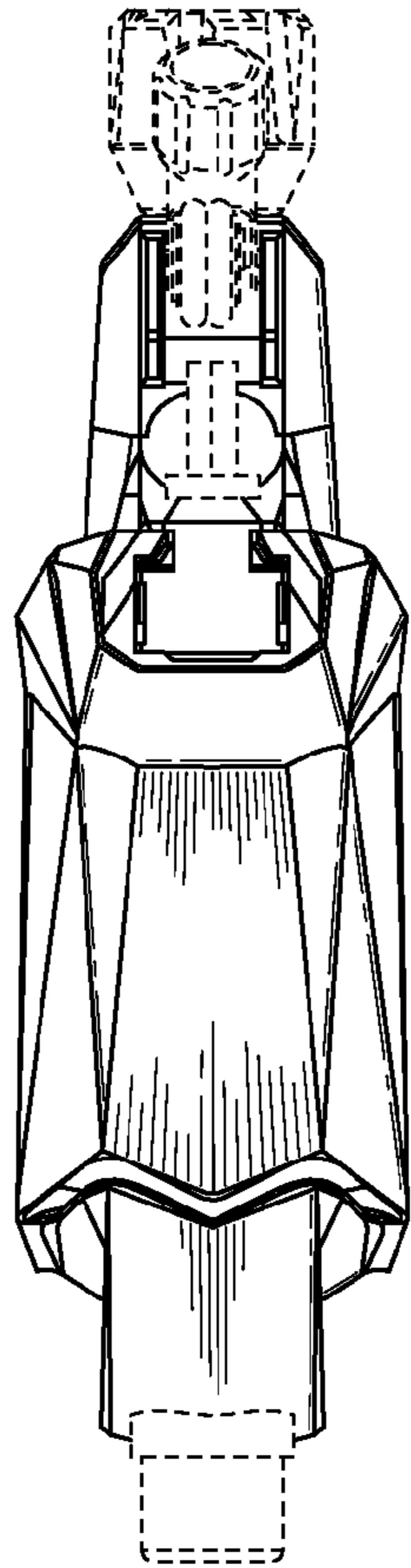


FIG. 3

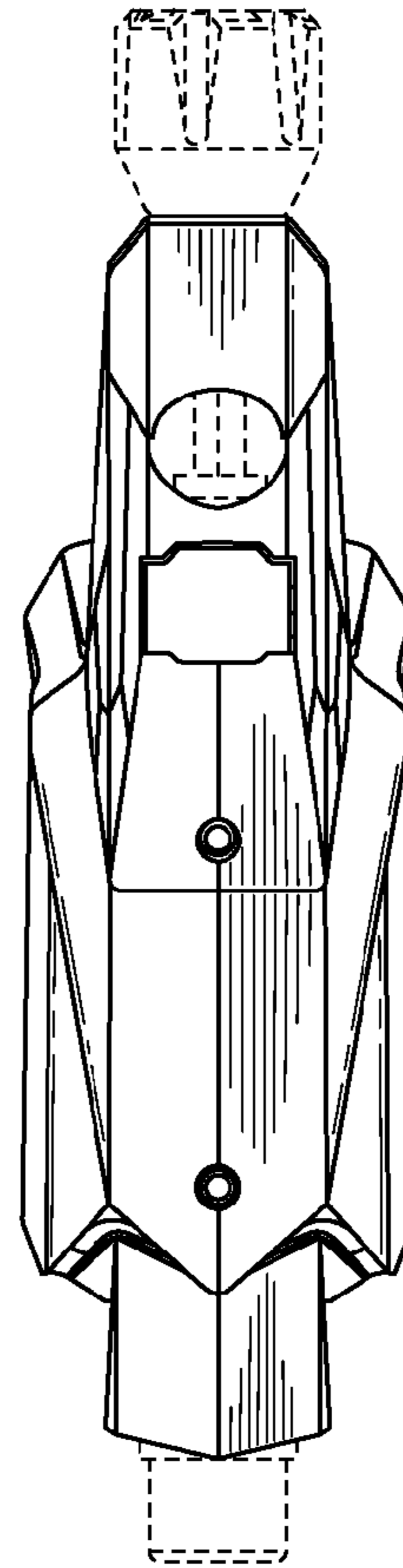


FIG. 4

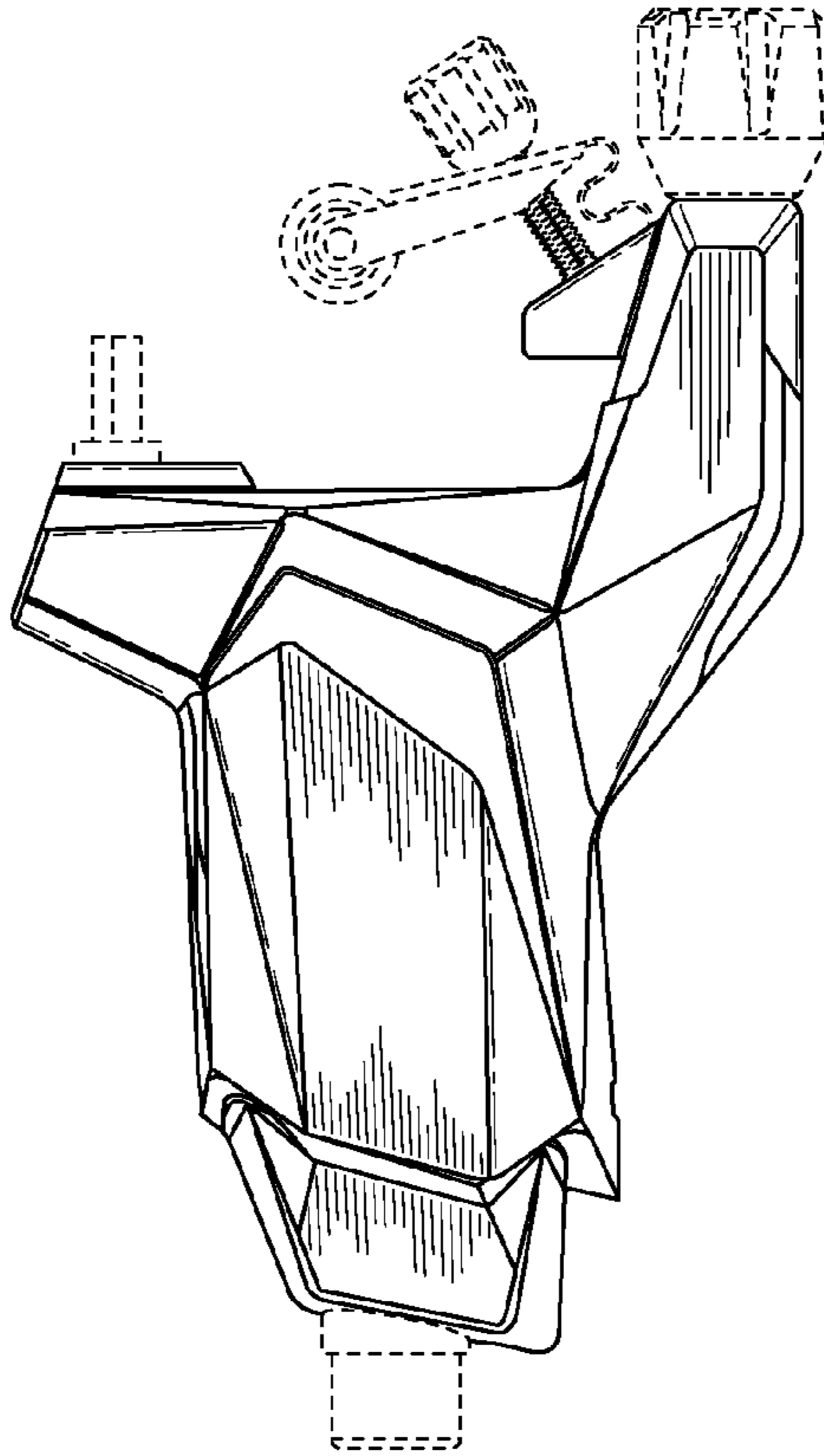


FIG. 5

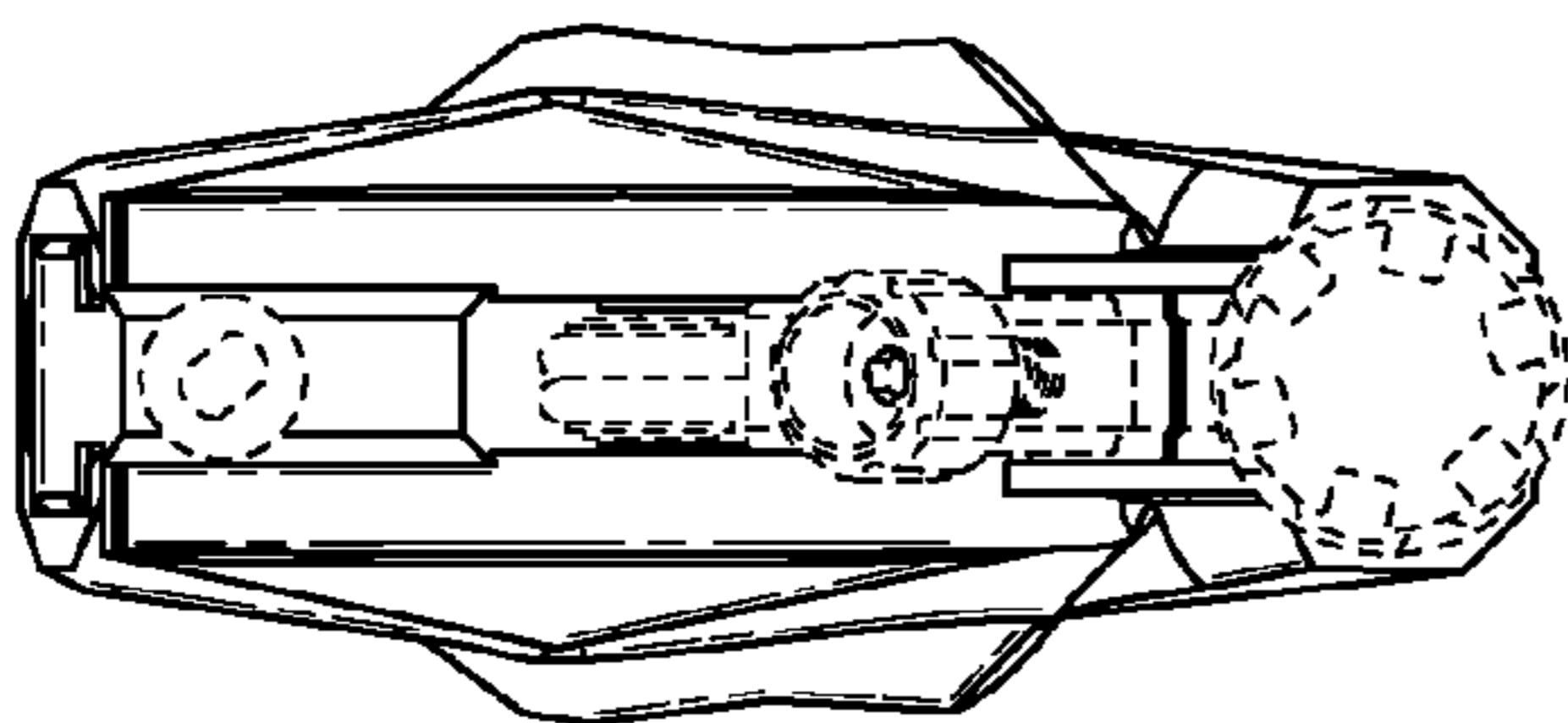


FIG. 6

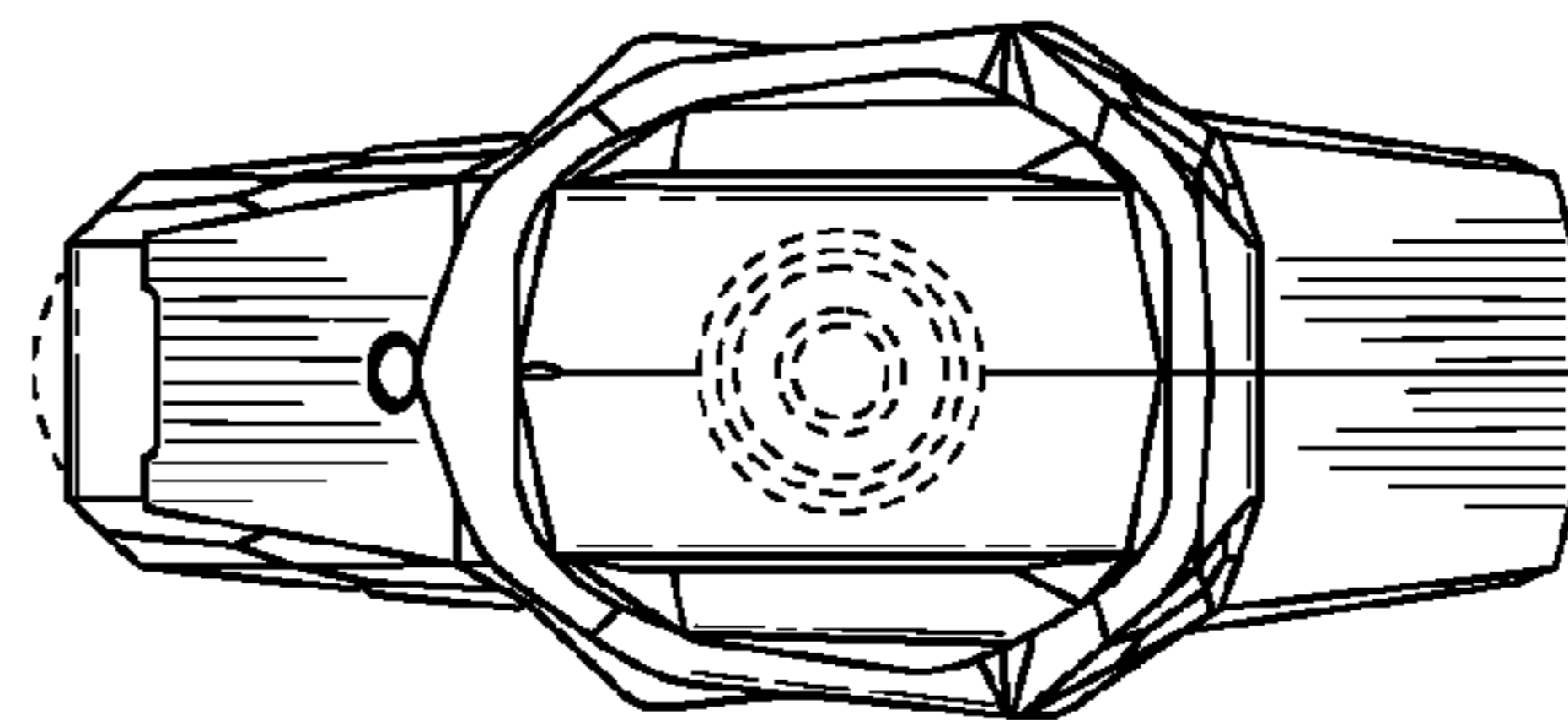


FIG. 7