



US00D722685S

(12) **United States Design Patent**
Kim et al.

(10) **Patent No.:** **US D722,685 S**
(45) **Date of Patent:** **** Feb. 17, 2015**

(54) **AIR CONDITIONER**

(56) **References Cited**

(71) Applicant: **LG Electronics Inc.**, Seoul (KR)

U.S. PATENT DOCUMENTS

(72) Inventors: **Joogyeon Kim**, Seoul (KR); **Taeil Kim**, Seoul (KR)

D584,389 S *	1/2009	Oh et al.	D23/351
D595,397 S *	6/2009	Park et al.	D23/351
D641,849 S *	7/2011	Saitou et al.	D23/351
D648,015 S *	11/2011	Baek et al.	D23/351
D674,068 S *	1/2013	Baek et al.	D23/351
D676,119 S *	2/2013	Baek et al.	D23/351
D700,309 S *	2/2014	Seki	D23/351
D702,335 S *	4/2014	Saitou	D23/351

(73) Assignee: **LG Electronics Inc.**, Seoul (KR)

(**) Term: **14 Years**

* cited by examiner

(21) Appl. No.: **29/493,680**

Primary Examiner — Brian N Vinson

(22) Filed: **Jun. 12, 2014**

(74) *Attorney, Agent, or Firm* — Morgan, Lewis & Bockius LLP

(30) **Foreign Application Priority Data**

(57) **CLAIM**

The ornamental design for an air conditioner, as shown and described.

Dec. 13, 2013 (KR) 30-2013-0063184

DESCRIPTION

(51) **LOC (10) Cl.** **23-04**

(52) **U.S. Cl.**
USPC **D23/351**

(58) **Field of Classification Search**
USPC D23/351-354, 385, 355, 357, 361;
312/236; 62/259.1, 259.4, 262-263,
62/304; 454/330-331, 349-350

FIG. 1 is a front, right side, perspective view of an air conditioner showing our new design;
FIG. 2 is a front view thereof;
FIG. 3 is a rear view thereof;
FIG. 4 is a left side view thereof;
FIG. 5 is a right side view thereof;
FIG. 6 is a top view thereof; and,
FIG. 7 is a bottom view thereof.

See application file for complete search history.

1 Claim, 3 Drawing Sheets

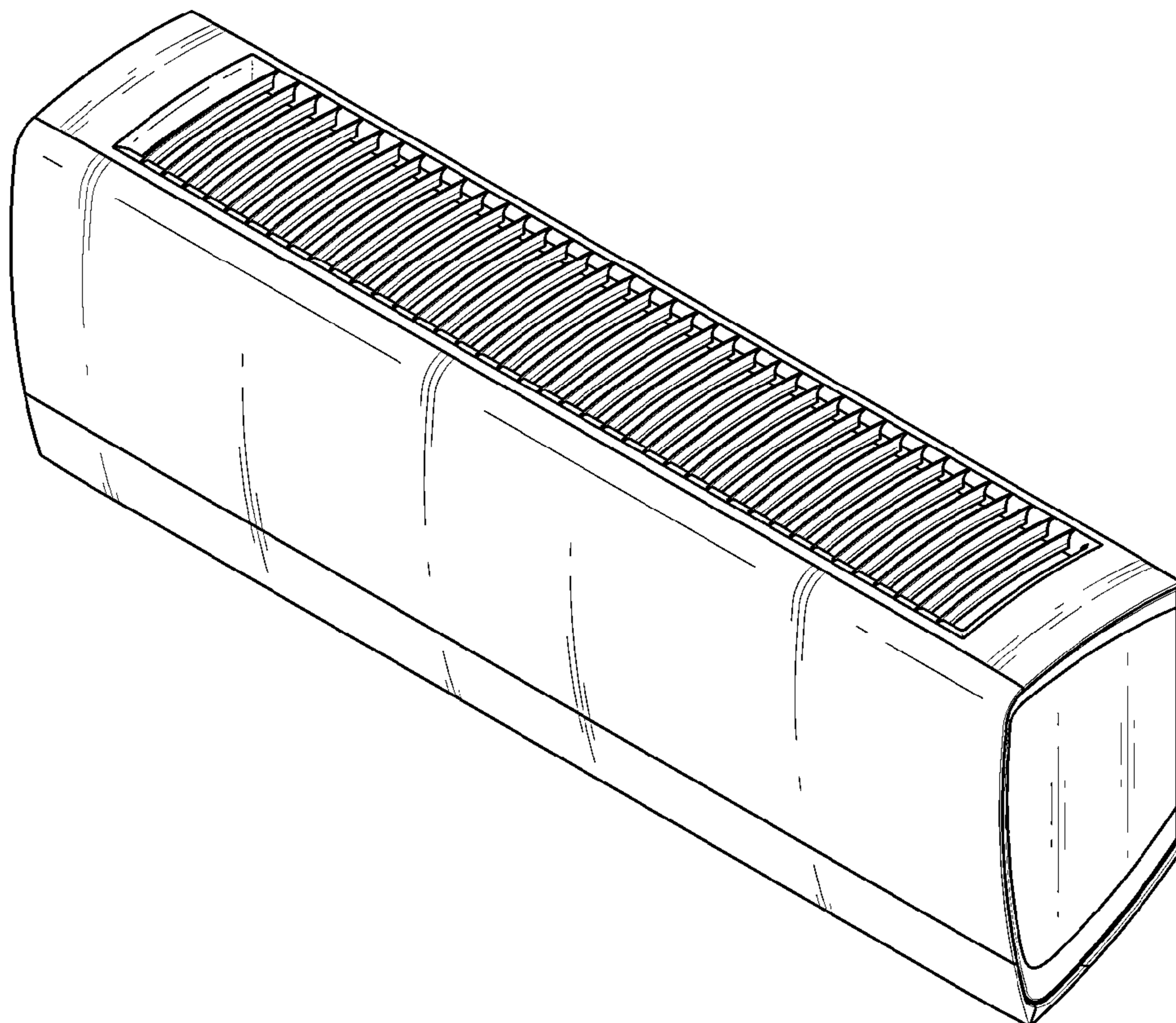


FIG. 1

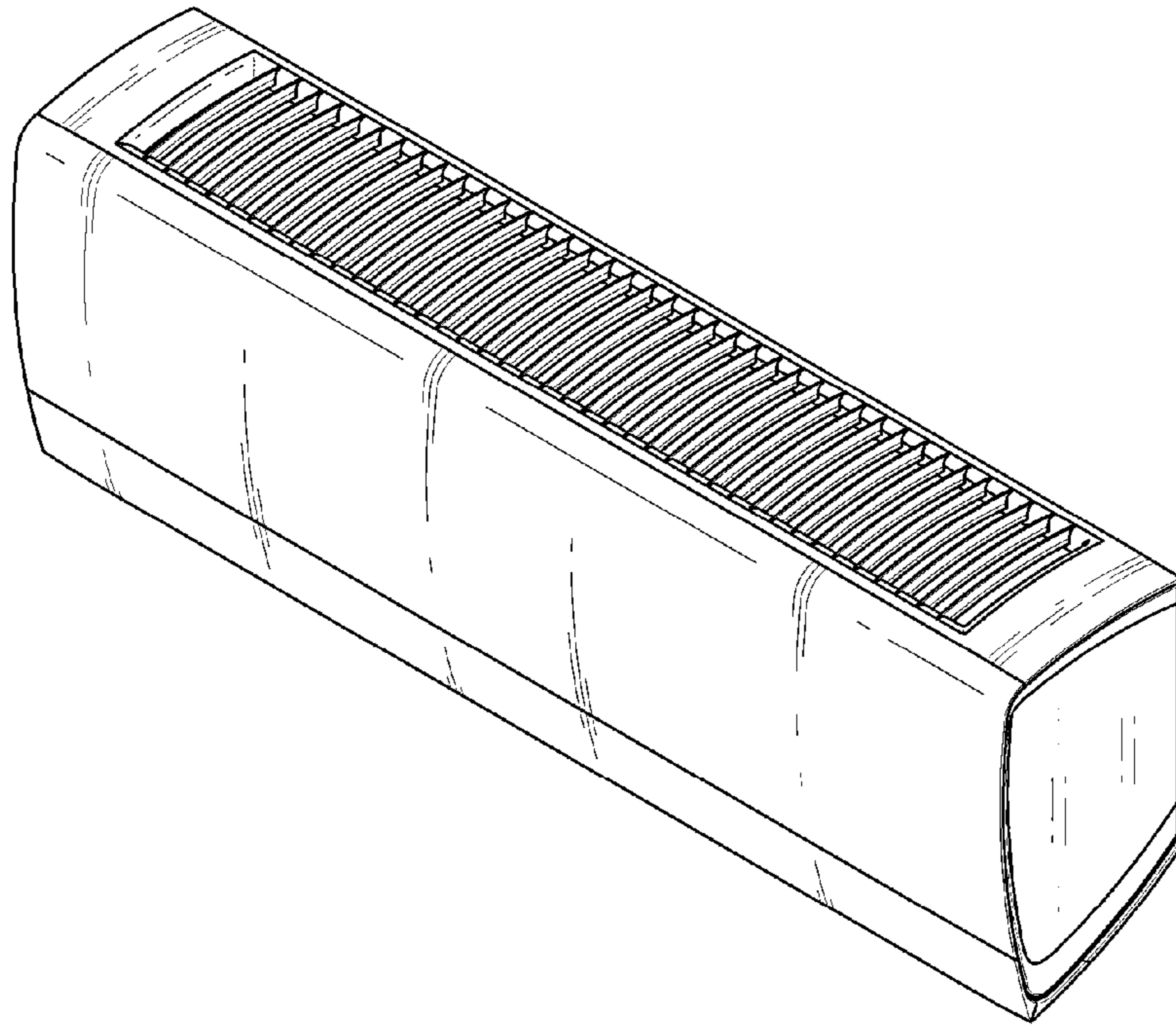


FIG. 2

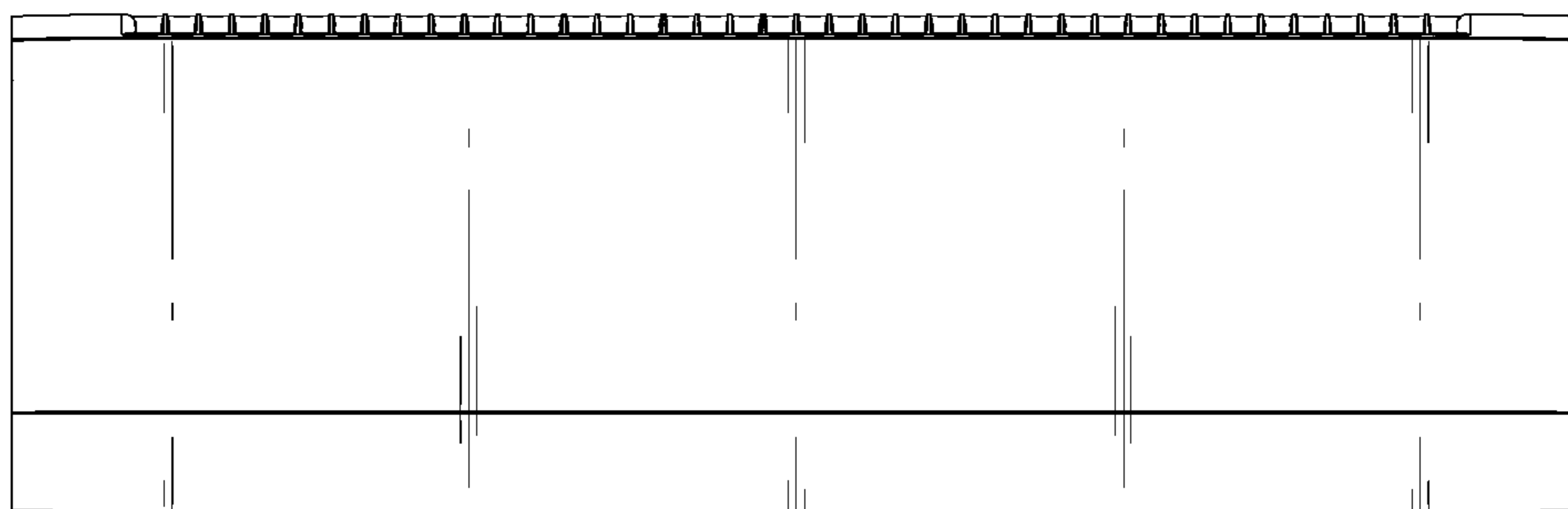


FIG. 3

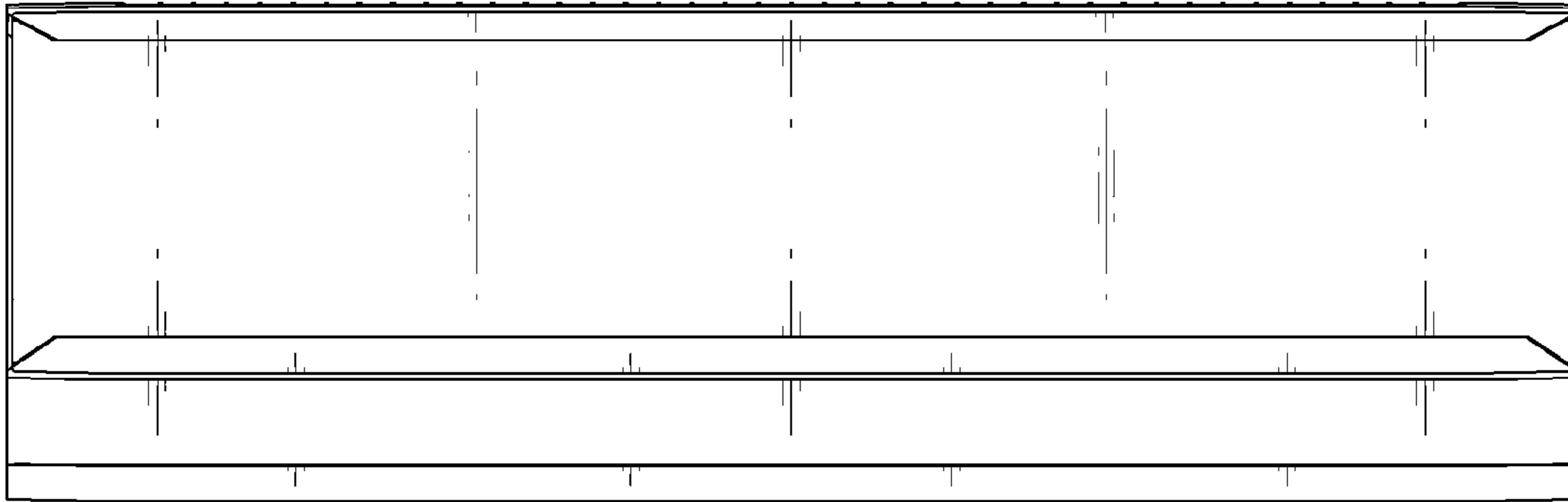


FIG. 4

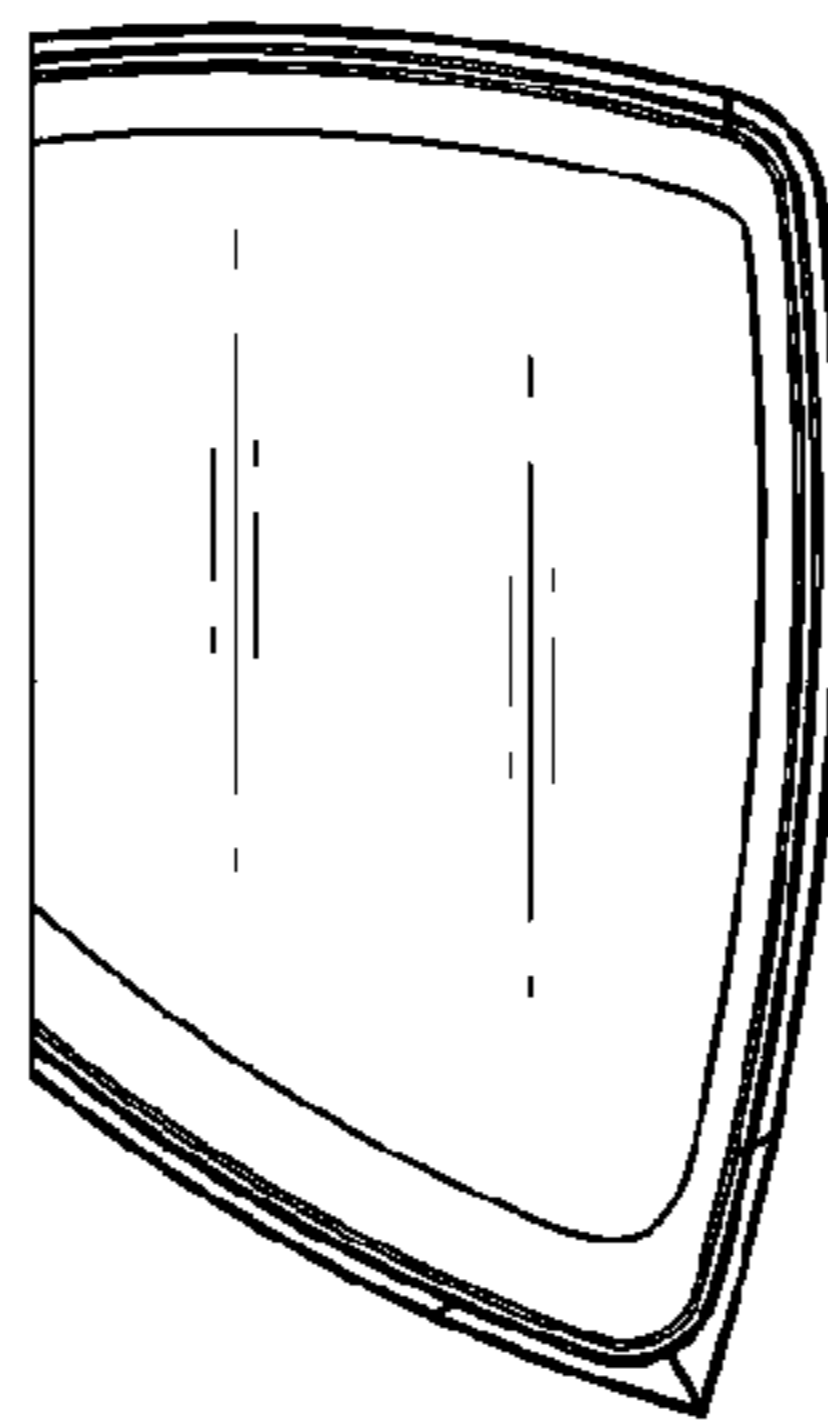


FIG. 5



FIG. 6

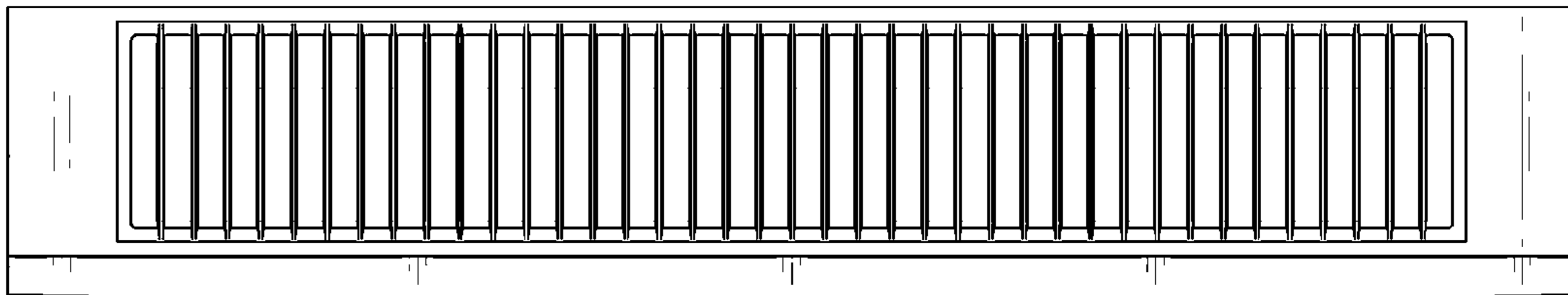


FIG. 7

