



US00D722684S

(12) **United States Design Patent**
Behling

(10) **Patent No.:** **US D722,684 S**

(45) **Date of Patent:** **** Feb. 17, 2015**

(54) **CONTROL PANELS FOR TOILETS AND/OR URINALS**

(71) Applicant: **Geberit International AG**, Jona (CH)

(72) Inventor: **Christoph Behling**, London (GB)

(73) Assignee: **Geberit International AG**, Jona (CH)

(**) Term: **14 Years**

(21) Appl. No.: **29/437,670**

(22) Filed: **Nov. 20, 2012**

(30) **Foreign Application Priority Data**

May 22, 2012 (WO) DM/078 383

Nov. 14, 2012 (WO) DM/079 507

(51) **LOC (10) Cl.** **23-02**

(52) **U.S. Cl.**
USPC **D23/309**

(58) **Field of Classification Search**
USPC D23/303, 309, 249, 250, 252, 254;
4/675-678, 661, DIG. 3; 137/801;
D10/96, 99, 101, 103
See application file for complete search history.

(56) **References Cited**

U.S. PATENT DOCUMENTS

4,309,781 A * 1/1982 Lissau 4/304
4,667,350 A * 5/1987 Ikenaga et al. 4/304
4,945,943 A * 8/1990 Cogger 137/360
5,060,323 A * 10/1991 Shaw 4/406
5,169,118 A * 12/1992 Whiteside 4/DIG. 3
5,230,563 A * 7/1993 Shalvi D10/101
5,313,673 A * 5/1994 Saadi et al. 4/DIG. 3
5,341,839 A * 8/1994 Kobayashi et al. 4/DIG. 3

D351,219 S * 10/1994 Saadi et al. D23/249
D352,100 S * 11/1994 Veal D23/309
D370,057 S * 5/1996 Muderlak D23/309
D371,432 S * 7/1996 Lobermeier D23/303
D382,941 S * 8/1997 Nortier D23/303
D393,627 S * 4/1998 Veal D23/309
5,979,776 A * 11/1999 Williams 4/676
D464,402 S * 10/2002 Saraya D23/238
D470,921 S * 2/2003 Bush D23/249
6,643,853 B2 * 11/2003 Wilson et al. 4/249
6,705,534 B1 * 3/2004 Mueller 4/676
D490,508 S * 5/2004 Toyohara et al. D23/309
D492,755 S * 7/2004 Sutopo et al. D23/309
6,757,919 B2 * 7/2004 Snyder 4/406
6,978,490 B2 * 12/2005 Wilson 4/DIG. 3
7,028,347 B2 * 4/2006 Sanderson 4/DIG. 3
7,140,050 B2 * 11/2006 Muderlak 4/DIG. 3
7,174,579 B1 * 2/2007 Bauza 4/675
7,194,776 B1 * 3/2007 Lastuka et al. 4/661
D573,694 S * 7/2008 Funari et al. D23/249
D621,912 S * 8/2010 Wawrla D23/238
7,770,754 B2 * 8/2010 Shaw et al. 4/678
D669,866 S * 10/2012 Gilbert et al. D23/249
D670,360 S * 11/2012 Platt D23/249
D700,288 S * 2/2014 Santos D23/249
D704,803 S * 5/2014 Hashimoto et al. D23/238

* cited by examiner

Primary Examiner — Robert Delehanty

(74) *Attorney, Agent, or Firm* — Sughrue Mion, PLLC

(57) **CLAIM**

The ornamental design for control panels for toilets and/or urinals, as shown and described.

DESCRIPTION

FIG. 1 is a front view of a first embodiment that comprises my invention;

FIG. 2 is a side view thereof; and,

FIG. 3 is a perspective view thereof.

1 Claim, 3 Drawing Sheets

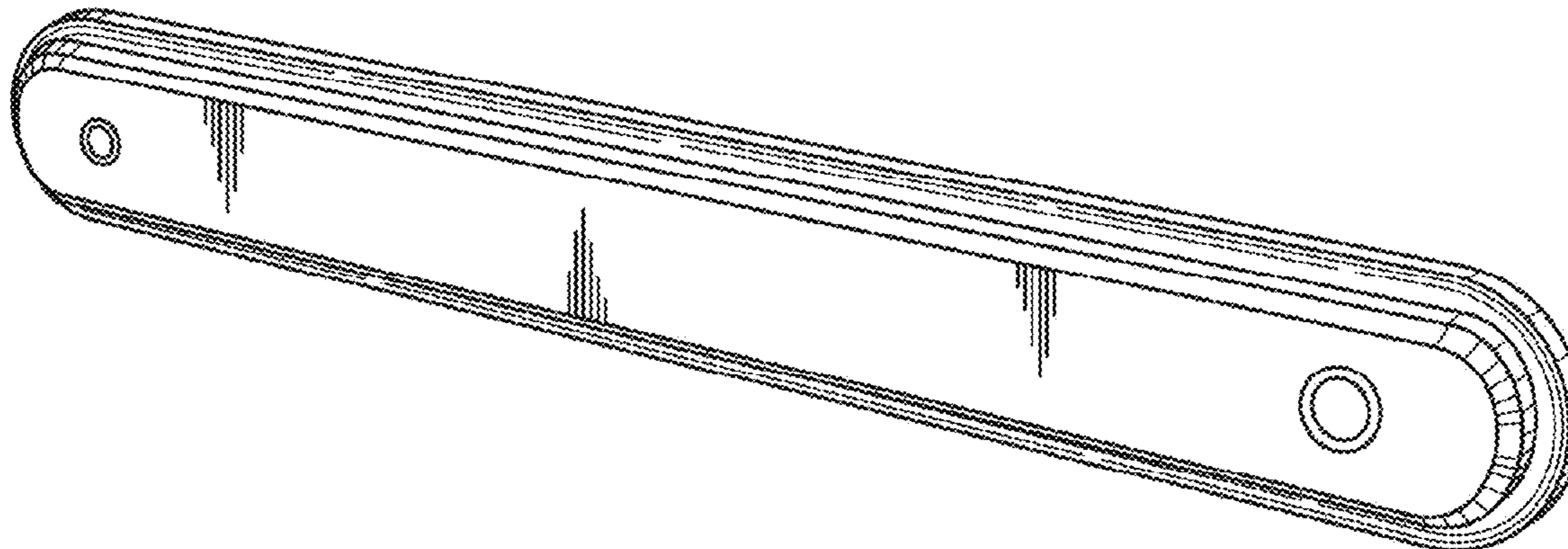


Fig. 1

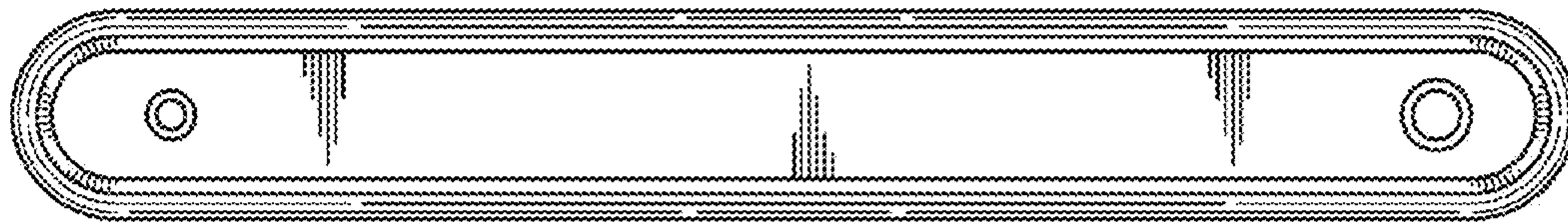


Fig. 2



Fig. 3

