

US00D722682S

(12) **United States Design Patent**
Fox

(10) **Patent No.:** **US D722,682 S**
(45) **Date of Patent:** **** Feb. 17, 2015**

(54) **RAIN GUTTER COVER**

FOREIGN PATENT DOCUMENTS

(71) Applicant: **Stephen P. Fox**, Hastings, MN (US)

GB 2138046 A 10/1984
JP 6146506A B 5/1994

(72) Inventor: **Stephen P. Fox**, Hastings, MN (US)

OTHER PUBLICATIONS

(**) Term: **14 Years**

Gutter Guard, available reference date of Oct. 3, 2009 online, [site visited Aug. 14, 2014]. Available on Internet <URL: <http://www.guttersupply.com/p-Gutter-Guard.gstml>>.*

(21) Appl. No.: **29/454,721**

(Continued)

(22) Filed: **May 14, 2013**

(51) **LOC (10) Cl.** **23-01**

(52) **U.S. Cl.**
USPC **D23/267**

(58) **Field of Classification Search**
USPC D23/267; 52/11, 12, 16, 58; 210/162;
248/48.1, 48.2

See application file for complete search history.

Primary Examiner — Eric Goodman

Assistant Examiner — Daniel J Domino

(74) *Attorney, Agent, or Firm* — Wm, Larry Alexander, Atty at Law, P.A.

(56) **References Cited**

(57) **CLAIM**

U.S. PATENT DOCUMENTS

I claim the ornamental design for a rain gutter cover, as shown and described.

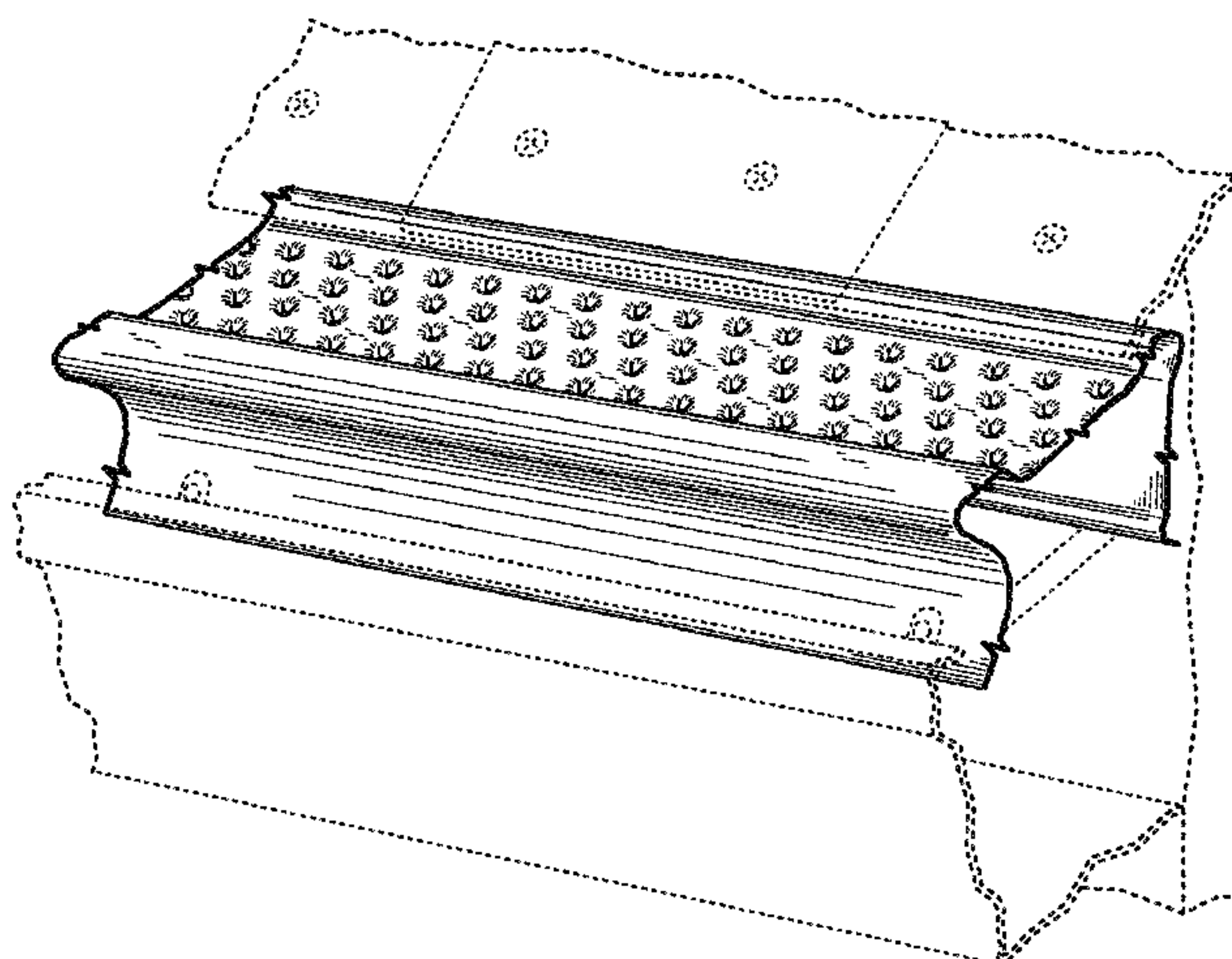
2,780,978	A *	2/1957	Peirson	454/260
3,053,393	A *	9/1962	McLean	210/474
3,550,381	A *	12/1970	South	405/119
3,710,926	A *	1/1973	Santen	198/803.14
4,435,925	A	3/1984	Jefferys	
4,592,174	A	6/1986	Hileman	
4,631,875	A	12/1986	Olson	
5,010,696	A	4/1991	Knittel	
5,044,581	A	9/1991	Dressler	
5,127,200	A	7/1992	Doran	
5,216,852	A *	6/1993	Bemis et al.	52/12
5,409,602	A	4/1995	Sorenson	
5,457,916	A	10/1995	Tenute	
5,459,965	A	10/1995	Meckstroth	
5,471,798	A	12/1995	Kuhns	
5,495,694	A	3/1996	Kuhns	
5,640,809	A	6/1997	Iannelli	
5,660,001	A	8/1997	Albracht	
5,864,990	A	2/1999	Tu	
D417,264	S *	11/1999	Beth	D23/261
6,016,631	A	1/2000	Lowrie, III	
6,098,344	A	8/2000	Albracht	

DESCRIPTION

FIG. 1 is a perspective view of the rain gutter cover of this invention;
FIG. 2 is a front view of the rain gutter cover of this invention;
FIG. 3 is rear view of the rain gutter cover of this invention;
FIG. 4 is a left hand view of the rain gutter cover of this invention;
FIG. 5 is a right hand view of the rain gutter cover of this invention;
FIG. 6 is a top view of the rain gutter cover of this invention;
and,
FIG. 7 is bottom view of the rain gutter cover of this invention. The rain gutter cover is shown with a symbolic break in its length. The appearance of any portion of the gutter between the break lines forms no part of the claimed design.

(Continued)

1 Claim, 4 Drawing Sheets



(56)

References Cited

U.S. PATENT DOCUMENTS

6,161,338	A	12/2000	Kuhns	
6,269,592	B1	8/2001	Rutter	
6,367,743	B1	4/2002	Iannelli	
6,412,228	B1	7/2002	Meckstroth	
6,598,352	B2	7/2003	Higginbotham	
6,658,796	B1	12/2003	Higgins	
6,745,516	B2	6/2004	Beyers	
6,904,718	B2	6/2005	Fox	
7,340,863	B1 *	3/2008	Dressler	52/12
7,726,077	B2	6/2010	Dowling et al.	
D635,225	S	3/2011	Collins	
D657,850	S *	4/2012	Bailey	D23/267
8,191,315	B1 *	6/2012	Brochu	52/12
D672,016	S *	12/2012	Walker	D23/267
8,322,082	B2 *	12/2012	Neumann	52/12
2002/0069594	A1	6/2002	Sweet	
2002/0152692	A1	10/2002	Bahroos et al.	
2002/0166290	A1 *	11/2002	Bergeron	52/12
2003/0009951	A1	1/2003	Bergeron	
2003/0029129	A1	2/2003	Walters	
2004/0000098	A1	1/2004	Knudson	

2004/0040220	A1	3/2004	Baker	
2004/0118052	A1 *	6/2004	Brochu	52/12
2004/0187394	A1 *	9/2004	Brochu	52/12
2005/0204642	A1	9/2005	Valentini	
2008/0000169	A1	1/2008	Handley	
2008/0010906	A1 *	1/2008	Brochu	52/12
2008/0190040	A1 *	8/2008	Graves	52/12
2008/0289263	A1 *	11/2008	Brochu	52/12
2009/0013612	A1 *	1/2009	Brochu	52/12
2009/0108144	A1 *	4/2009	Brochu	248/48.1
2010/0071273	A1 *	3/2010	Joly et al.	52/12
2010/0242376	A1	9/2010	Dowling et al.	
2011/0185641	A1 *	8/2011	Snell	52/12
2011/0225898	A1 *	9/2011	Iannelli	52/12
2011/0283630	A1	11/2011	Beckham et al.	
2012/0151849	A1 *	6/2012	Brochu	52/12

OTHER PUBLICATIONS

Leaf Relief Gutter Guard, available reference date of Oct. 12, 20012 online, [site visited Aug. 14, 2014]. Available on Internet <URL: <http://www.gutterguardsstlouis.com/>>.*

* cited by examiner

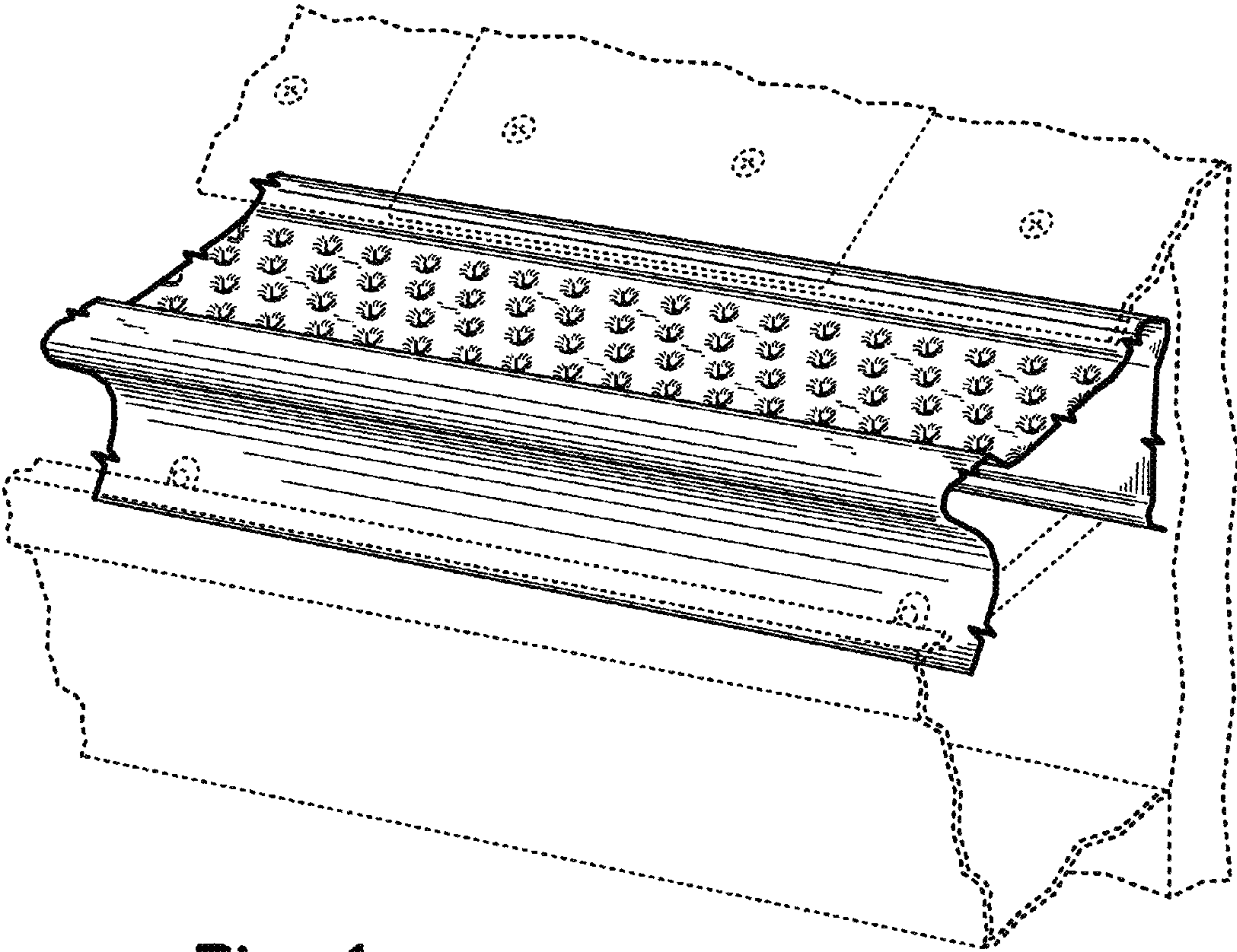


Fig. 1

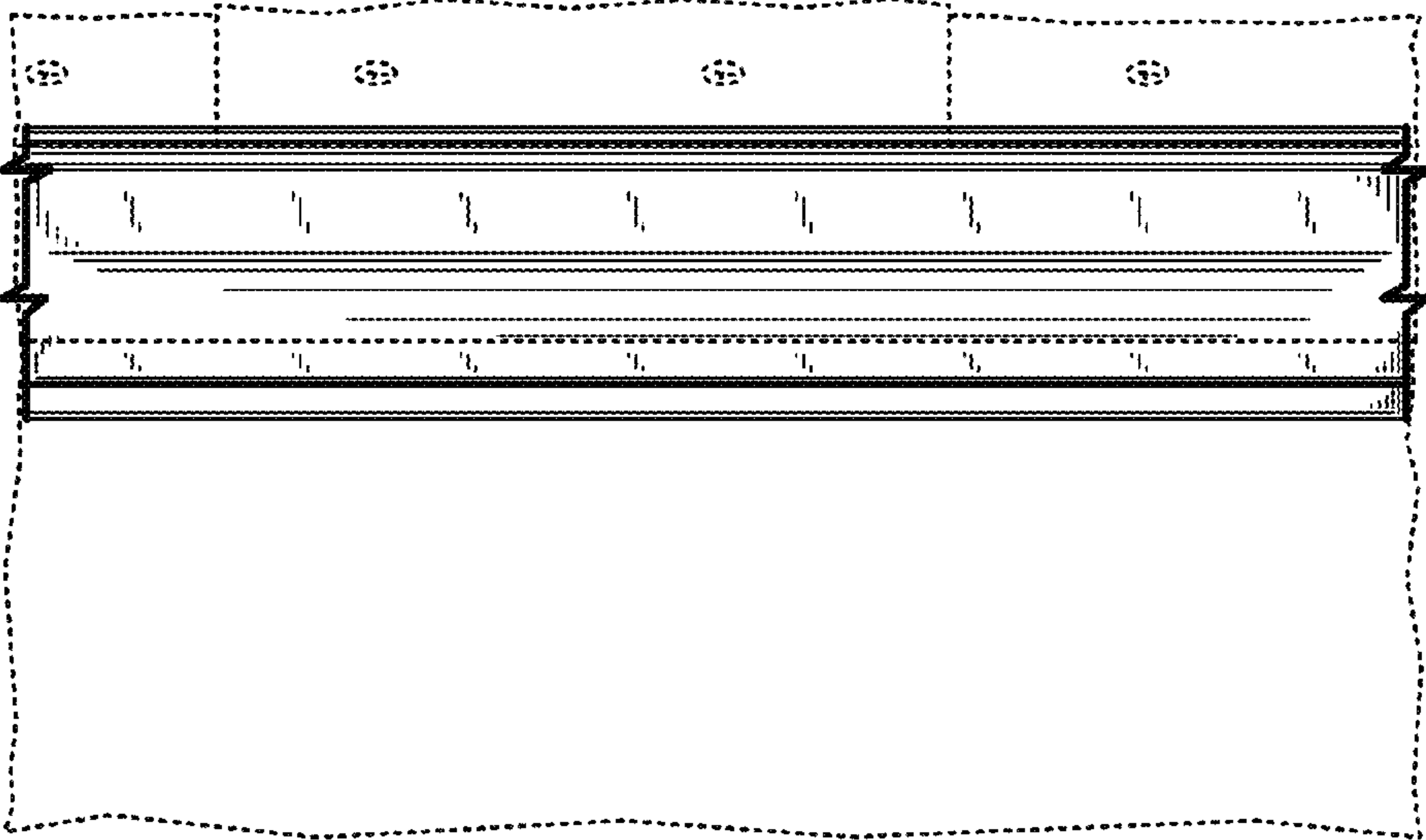


Fig. 2

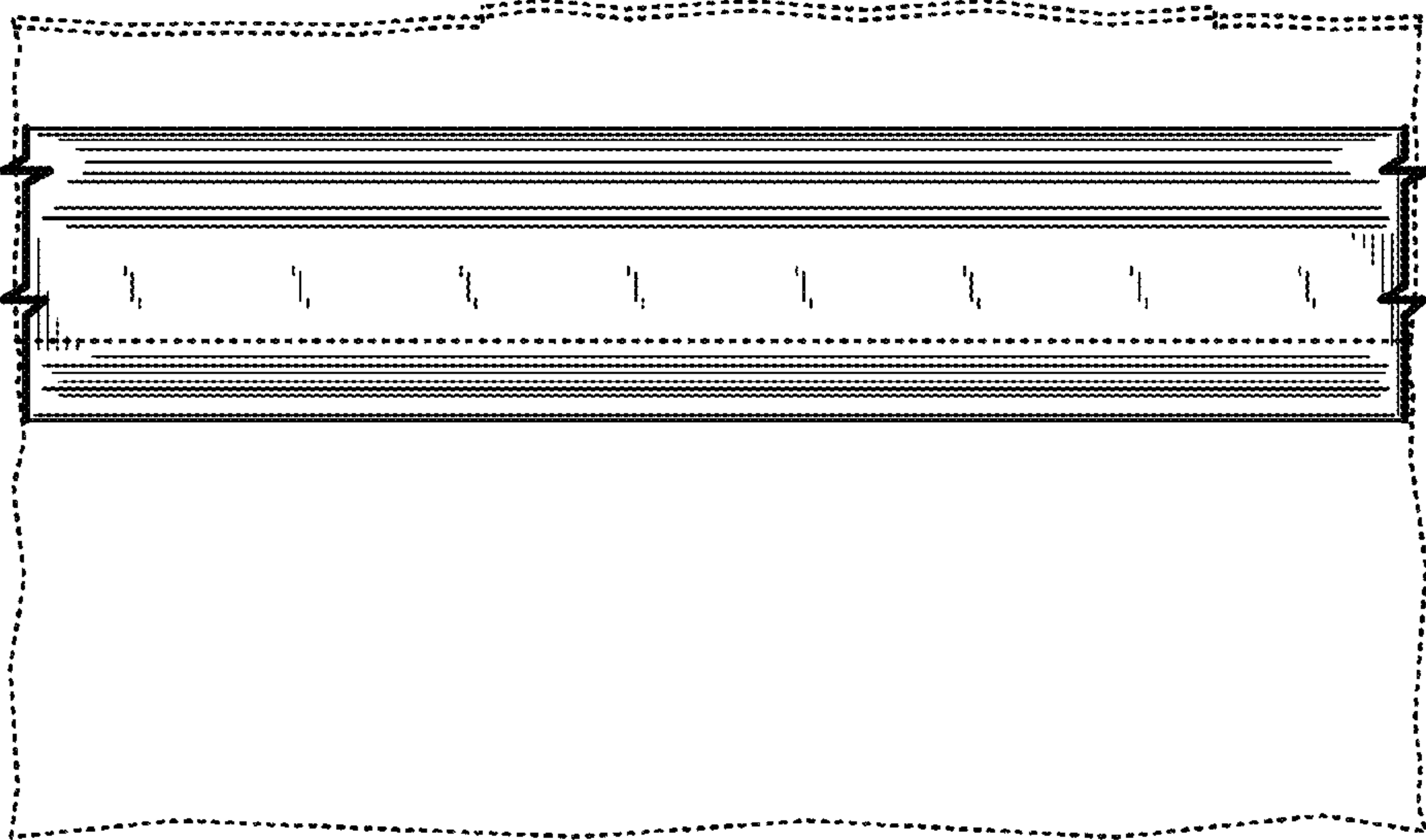


Fig. 3

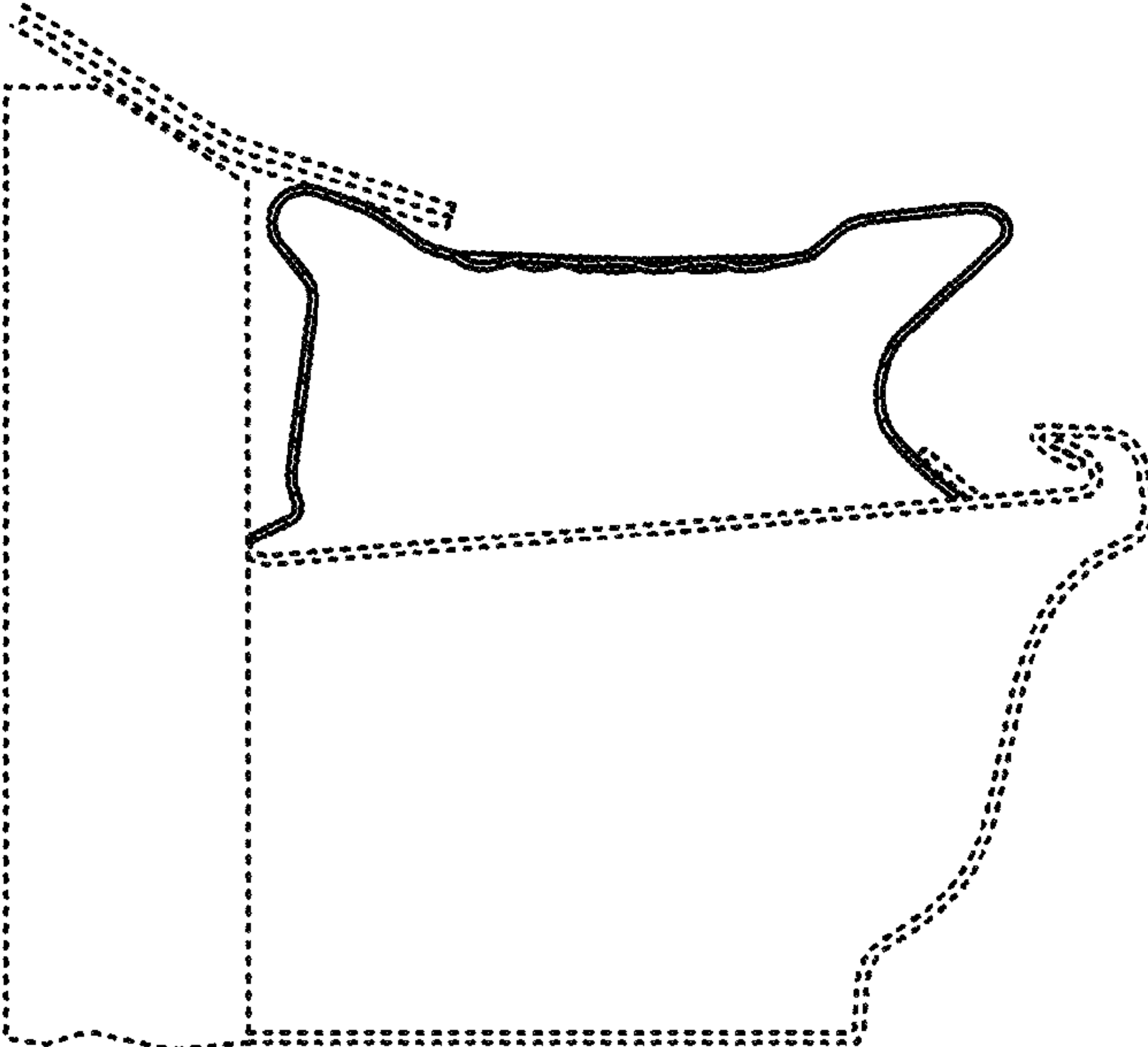


Fig. 4

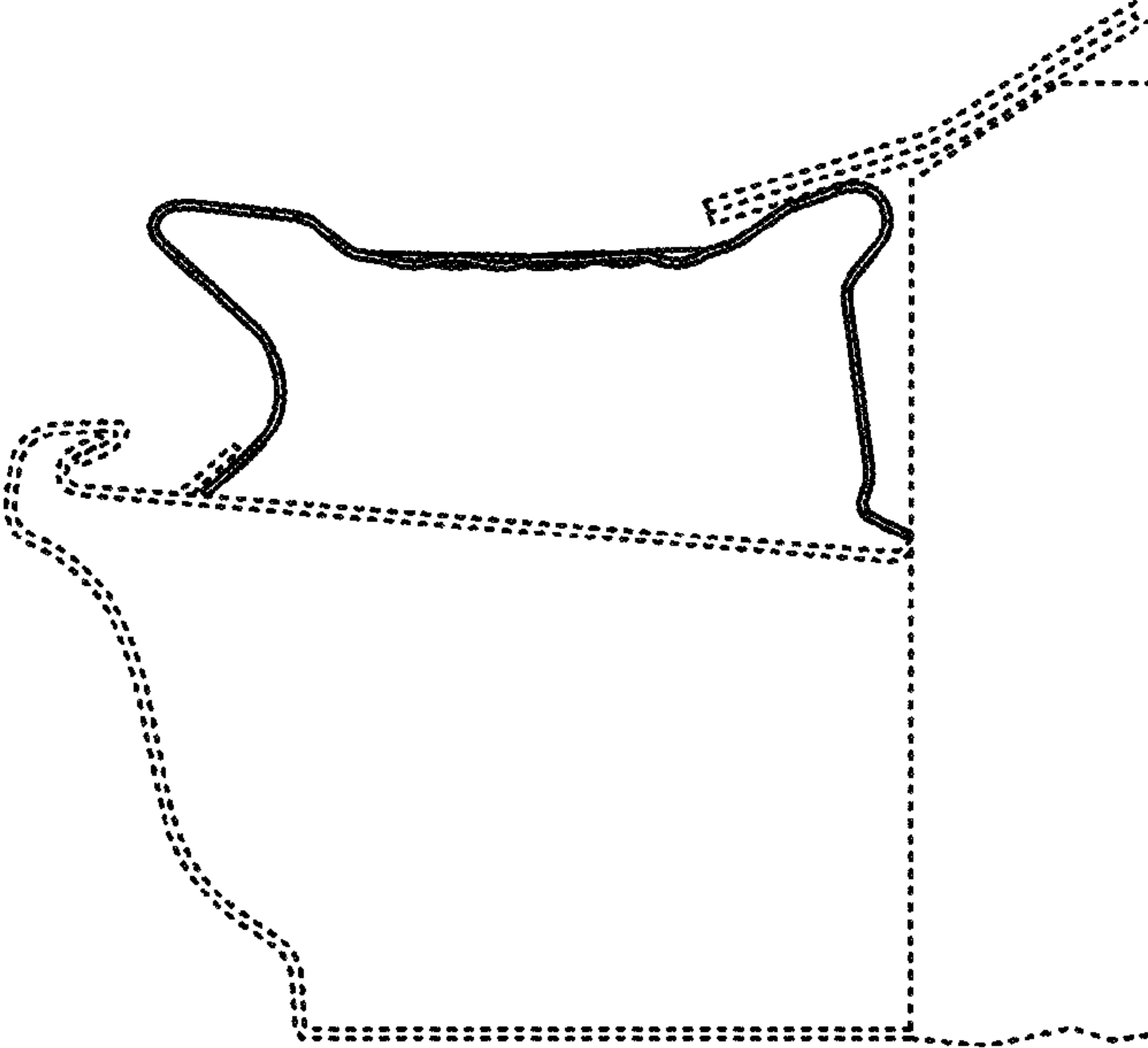


Fig. 5

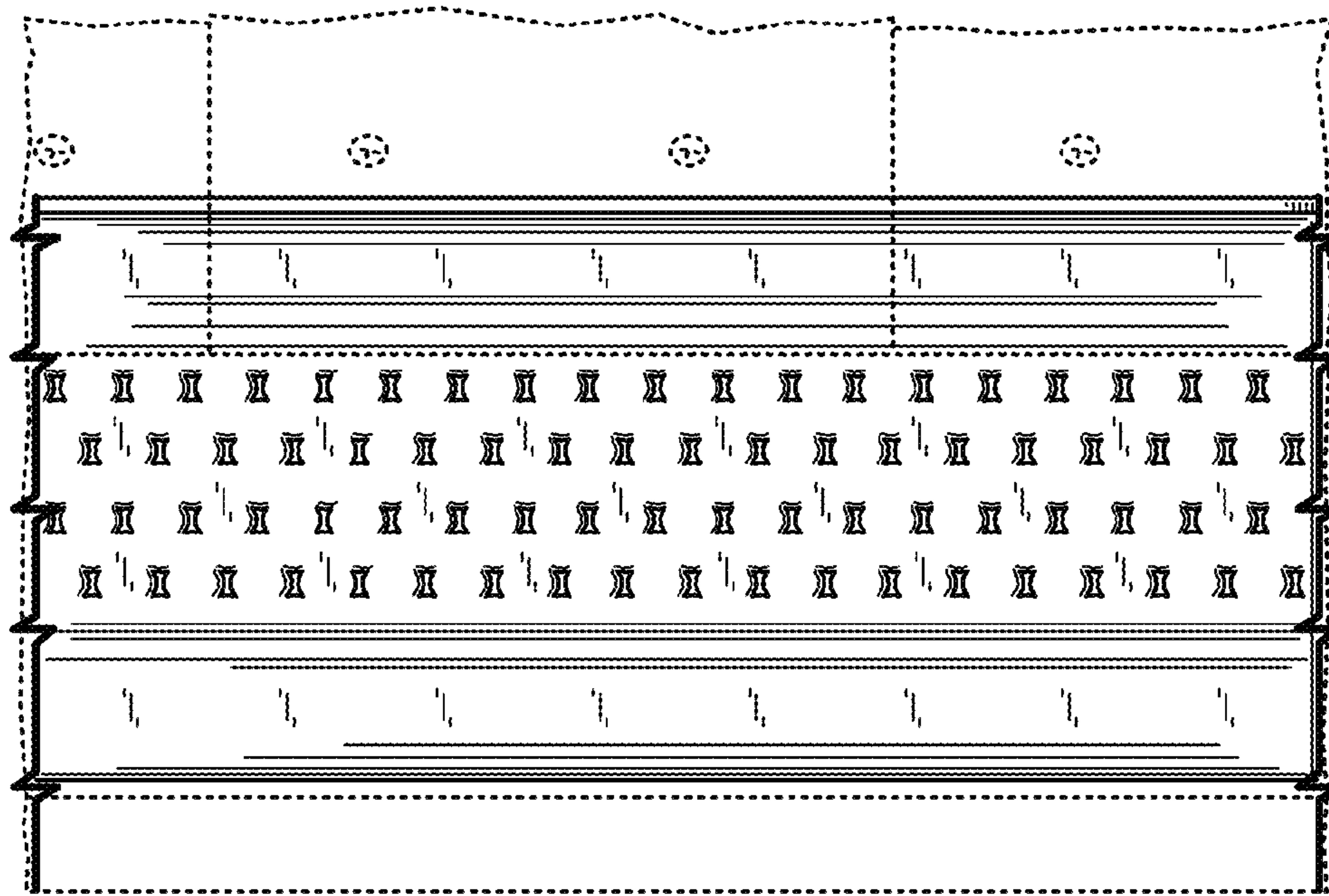


Fig. 6

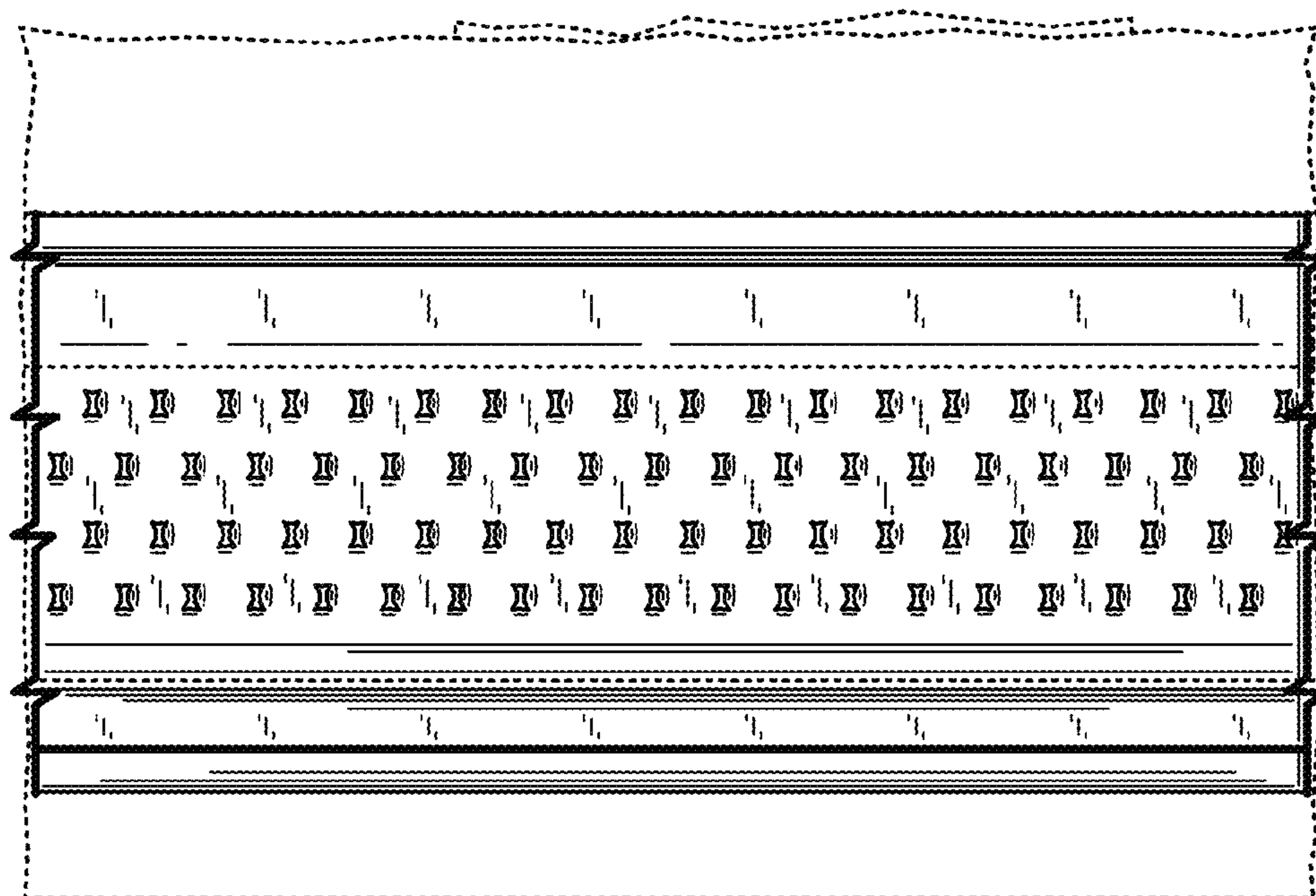


Fig. 7