



US00D722679S

(12) **United States Design Patent**  
**Beaudoin**

(10) **Patent No.:** **US D722,679 S**  
(45) **Date of Patent:** **\*\* Feb. 17, 2015**

(54) **FRAME**

FOREIGN PATENT DOCUMENTS

(71) Applicant: **Canada Pipe Company ULC**, Hamilton (CA)

CA 1186871 5/1985  
CA 1189294 6/1985

(Continued)

(72) Inventor: **Pierre-Laurent Beaudoin**, Lévis (CA)

OTHER PUBLICATIONS

(73) Assignee: **Canada Pipe Company ULC**, Hamilton, ON (CA)

Gully Grating, Kerb Gratings, Products and Services, indiamart.com, Searched Oct. 7, 2014, <http://www.indiamart.com/jpkmetallics/kerb-gratings.html#gully-grating>.\*

(\*\*) Term: **14 Years**

*Primary Examiner* — Eric Goodman

(21) Appl. No.: **29/470,515**

*Assistant Examiner* — Steven Czyz

(22) Filed: **Oct. 22, 2013**

(74) *Attorney, Agent, or Firm* — Fasken Martineau

(57) **CLAIM**

The ornamental design for a frame, as shown and described.

**Related U.S. Application Data**

**DESCRIPTION**

(62) Division of application No. 29/439,512, filed on Dec. 12, 2012, now Pat. No. Des. 699,822.

(51) **LOC (10) Cl.** ..... **23-01**

(52) **U.S. Cl.**  
USPC ..... **D23/261**

(58) **Field of Classification Search**  
USPC ..... D23/259, 260, 261, 262, 263, 264, 265;  
210/170, 170.01, 170.03, 162–166,  
210/474; 404/4, 5; 405/118, 119; 52/16, 20  
See application file for complete search history.

FIG. 1 is a perspective view taken from a top, front, left side of a frame;

FIG. 2 is a top plan view thereof;

FIG. 3 is a bottom plan view thereof;

FIG. 4 is a rear elevation view thereof;

FIG. 5 is a front elevation view thereof;

FIG. 6 is a right side elevation view thereof;

FIG. 7 is a left side elevation view thereof; and,

FIG. 8 is a perspective view taken from a bottom, front, left side thereof.

The design consists of the visual features of the portions of the frame shown in solid lines in the drawings. Throughout the Figures, where shown: (i) the dotted lines showing additional structure of the frame are for illustrative purposes only and form no part of the claimed design; (ii) the unshaded surfaces do not form part of the claimed design; and (iii) the dash-dotted lines illustrate unclaimed boundaries of surfaces claimed as part of the design. Portions of the frame not shown in the Figures and not otherwise described in this Specification do not form part of the claimed design.

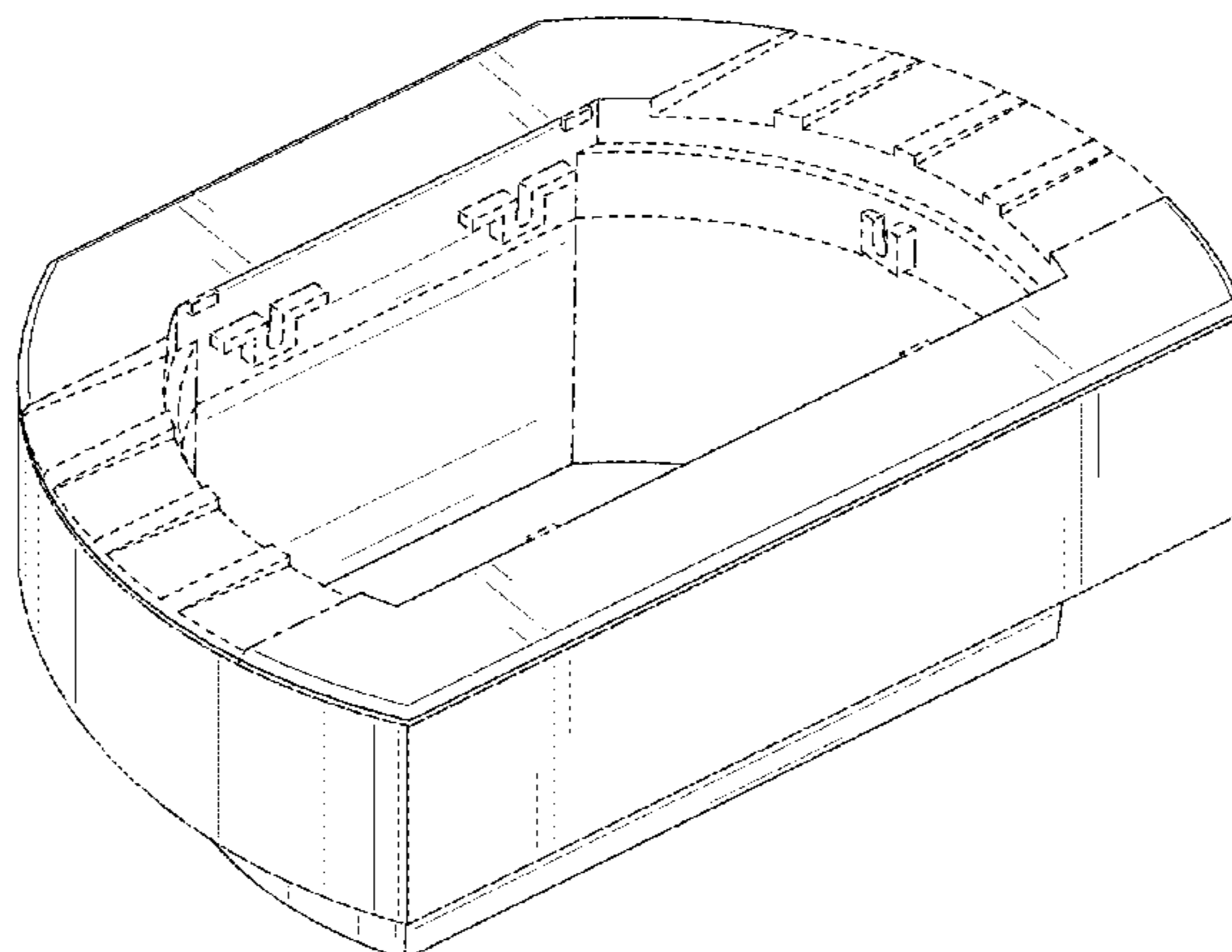
(56) **References Cited**

U.S. PATENT DOCUMENTS

490,301 A \* 1/1893 Munson et al. .... 210/163  
838,601 A \* 12/1906 Willms et al. .... 4/416  
1,460,733 A \* 7/1923 Rigby ..... 405/119  
1,491,314 A \* 4/1924 Rigby ..... 405/119  
1,763,174 A \* 6/1930 Morris ..... 68/237  
1,858,268 A \* 5/1932 Fleming ..... 285/43  
2,701,027 A 2/1955 Scoville

(Continued)

**1 Claim, 8 Drawing Sheets**



(56)

References Cited

U.S. PATENT DOCUMENTS

3,304,685 A 2/1967 Whetstone  
 3,838,706 A 10/1974 Klenk et al.  
 D244,854 S 6/1977 Salamone  
 4,279,541 A \* 7/1981 Bruhn et al. .... 405/119  
 D267,268 S 12/1982 Johnson  
 D270,292 S 8/1983 Johnson  
 4,422,994 A 12/1983 Ditcher  
 D280,126 S \* 8/1985 Provan et al. .... D23/262  
 4,536,103 A 8/1985 Prescott  
 4,565,347 A 1/1986 Ditcher  
 4,591,290 A 5/1986 Prescott  
 4,685,650 A 8/1987 Ditcher  
 4,801,417 A 1/1989 Ditcher  
 4,941,643 A 7/1990 Ditcher  
 4,952,094 A 8/1990 Spiess et al.  
 5,072,846 A 12/1991 Portwood  
 5,279,007 A \* 1/1994 Kolada ..... 4/639  
 D352,573 S 11/1994 Sampson et al.  
 5,386,669 A 2/1995 Almeida  
 D369,404 S 4/1996 Vestal, Sr.  
 5,634,739 A 6/1997 Armstrong  
 5,849,181 A 12/1998 Monteith  
 6,045,691 A \* 4/2000 McDermott ..... 210/164  
 6,068,765 A 5/2000 Monteith  
 6,109,824 A 8/2000 Annes  
 6,270,662 B1 \* 8/2001 Gibson et al. .... 210/163  
 6,385,913 B1 \* 5/2002 Ahn ..... 52/20  
 6,537,446 B1 \* 3/2003 Sanguinetti ..... 210/163  
 6,869,525 B1 \* 3/2005 Happel ..... 210/163  
 6,986,226 B2 1/2006 Banks  
 7,040,838 B2 \* 5/2006 Allard et al. .... 405/36  
 D596,273 S \* 7/2009 Porter ..... D23/267

D630,714 S 1/2011 Dukes  
 8,292,541 B2 10/2012 Akkala  
 8,591,729 B2 \* 11/2013 Alqanee ..... 210/116  
 D699,820 S \* 2/2014 Beaudoin ..... D23/267  
 D699,821 S \* 2/2014 Beaudoin ..... D23/267  
 2002/0071722 A1 \* 6/2002 Allard ..... 405/43  
 2003/0046877 A1 3/2003 Banks  
 2004/0112811 A1 6/2004 Lindemulder  
 2006/0011527 A1 \* 1/2006 McDermott et al. .... 210/163  
 2008/0179229 A1 \* 7/2008 Dorsey ..... 210/163  
 2010/0124458 A1 5/2010 Munro  
 2013/0186811 A1 7/2013 Kaiser

FOREIGN PATENT DOCUMENTS

CA 1204317 5/1986  
 CA 1208025 7/1986  
 CA 1245832 12/1988  
 CA 1320071 7/1993  
 CA 2153008 1/1996  
 CA 2220243 9/1997  
 CA 2206338 11/1998  
 DE 1002249 2/1957  
 DE 6906871 6/1969  
 DE 1905728 8/1970  
 DE 4437518 4/1996  
 DE 29707603 7/1997  
 EP 0337110 A1 10/1989  
 FR 2200415 4/1974  
 FR 2803859 7/2001  
 WO 96/01929 1/1996  
 WO 97/26415 7/1997  
 WO 9749872 12/1997  
 WO 01/83892 11/2001

\* cited by examiner

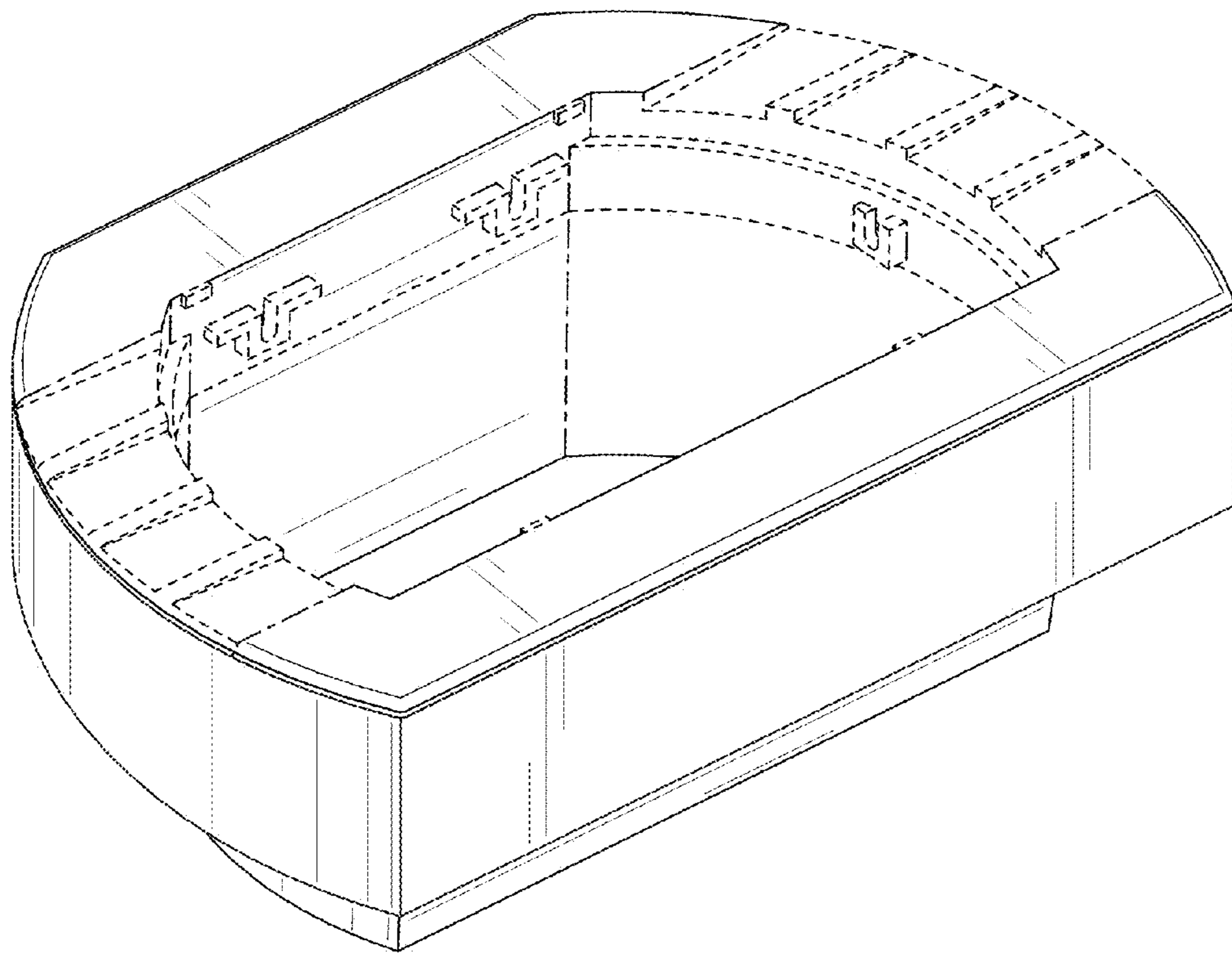


FIG. 1

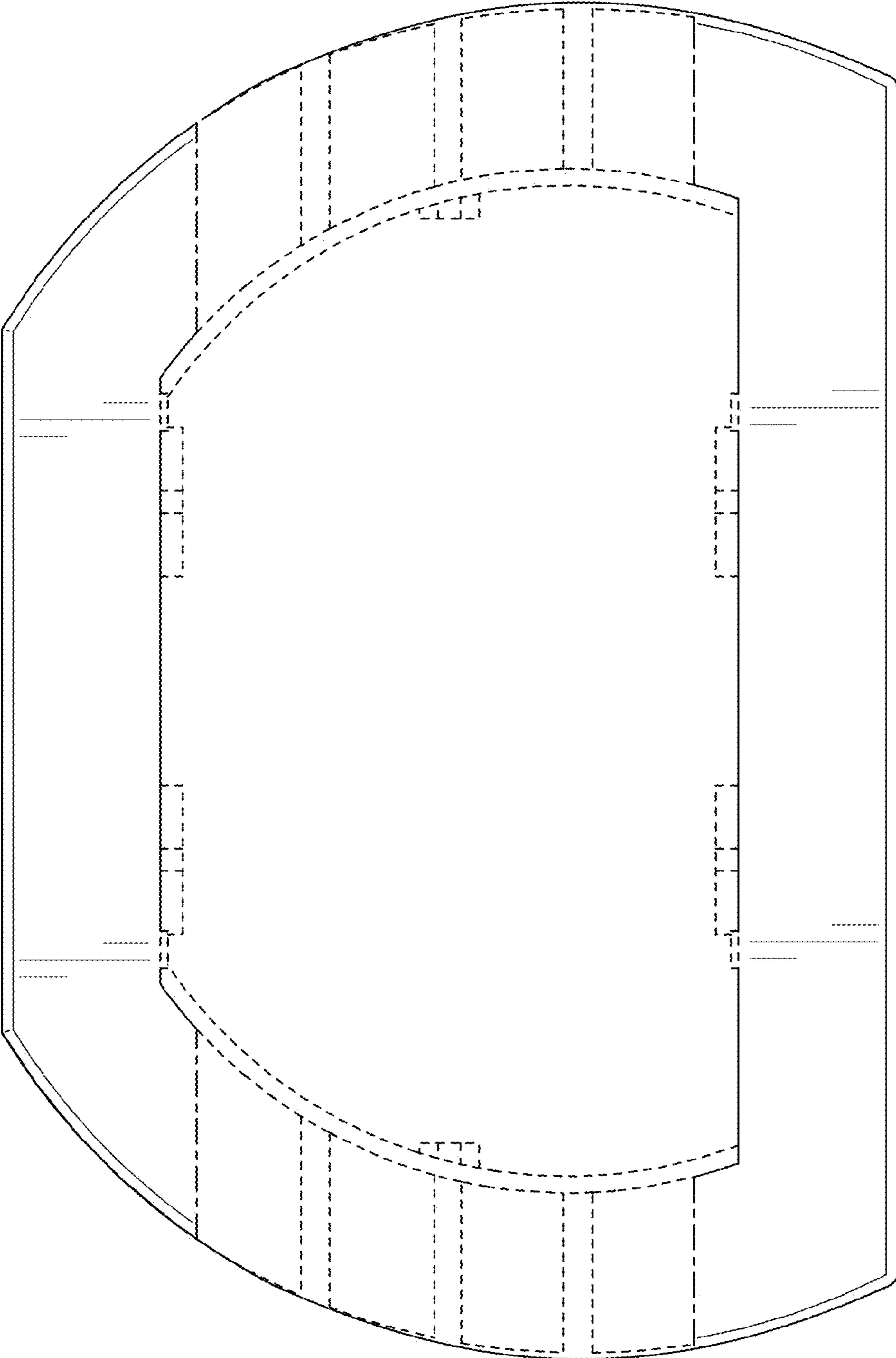


FIG. 2



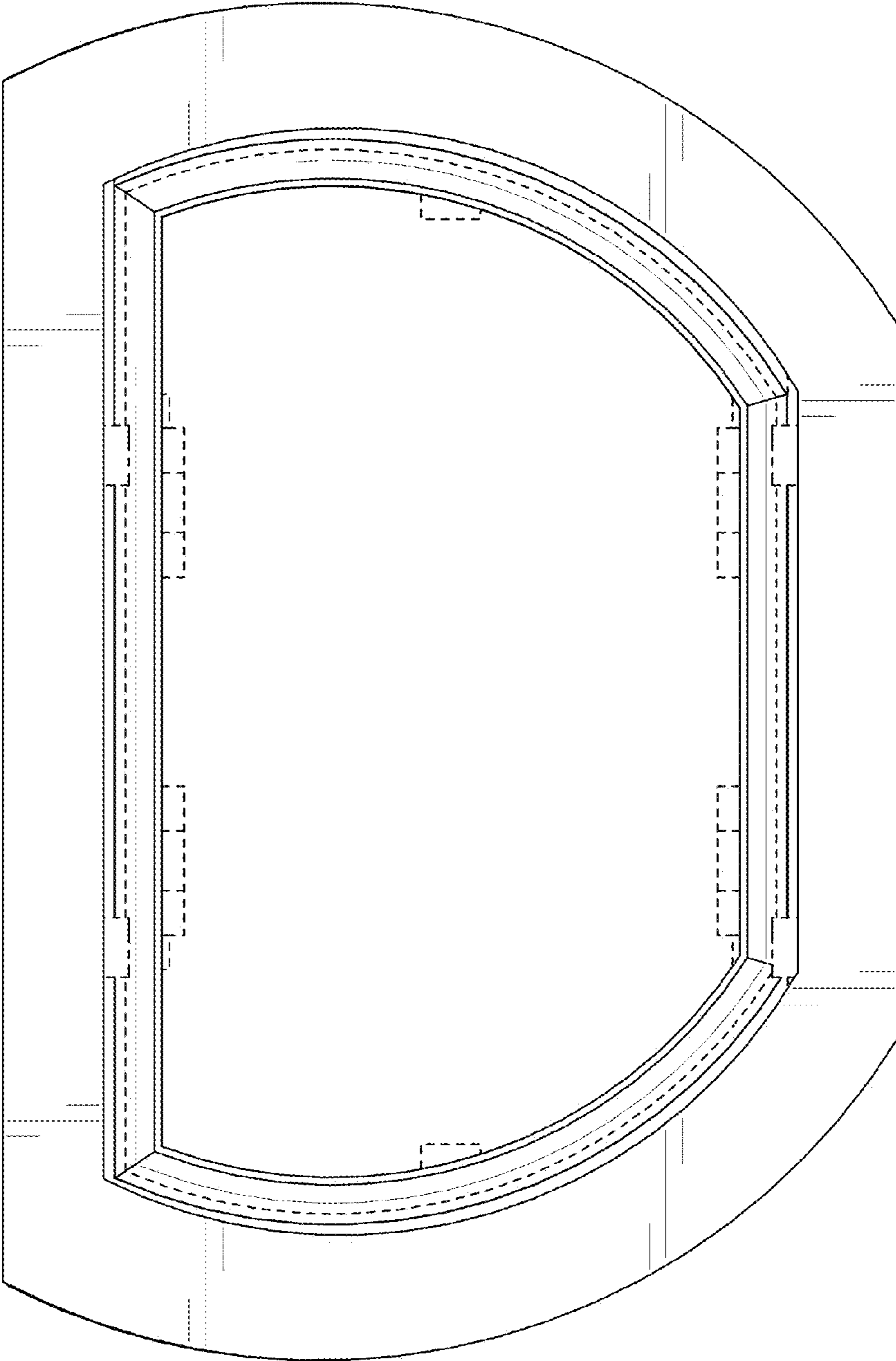


FIG. 3

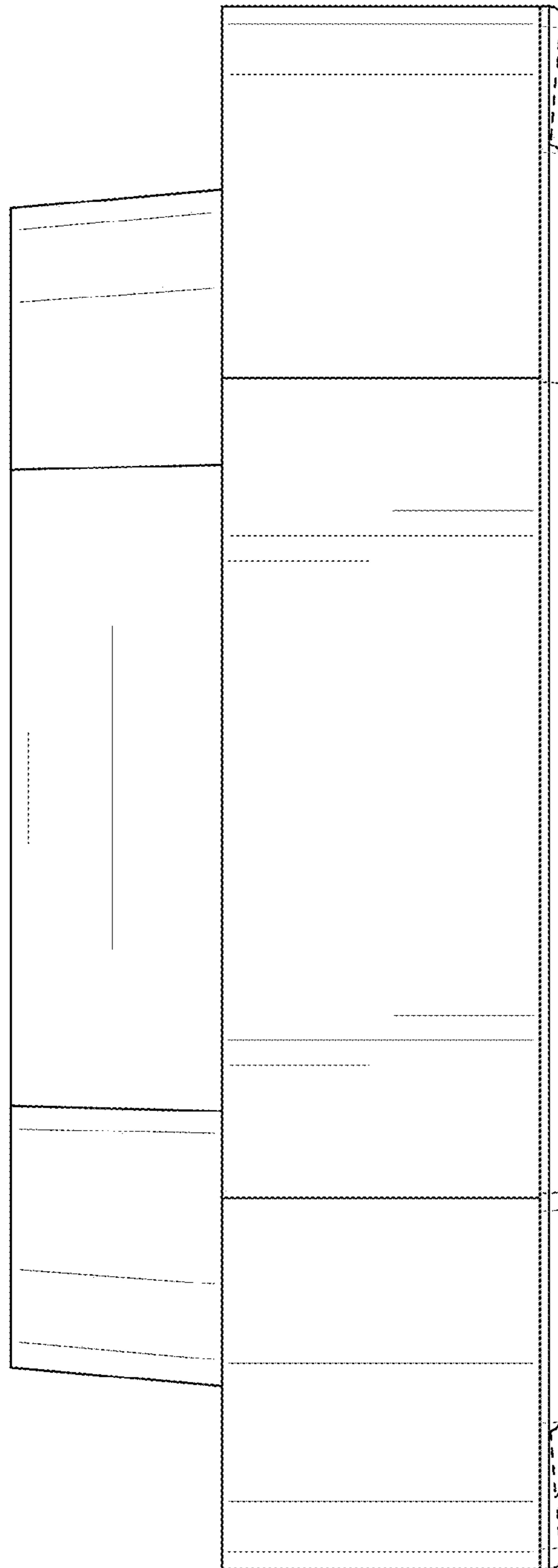


FIG. 4

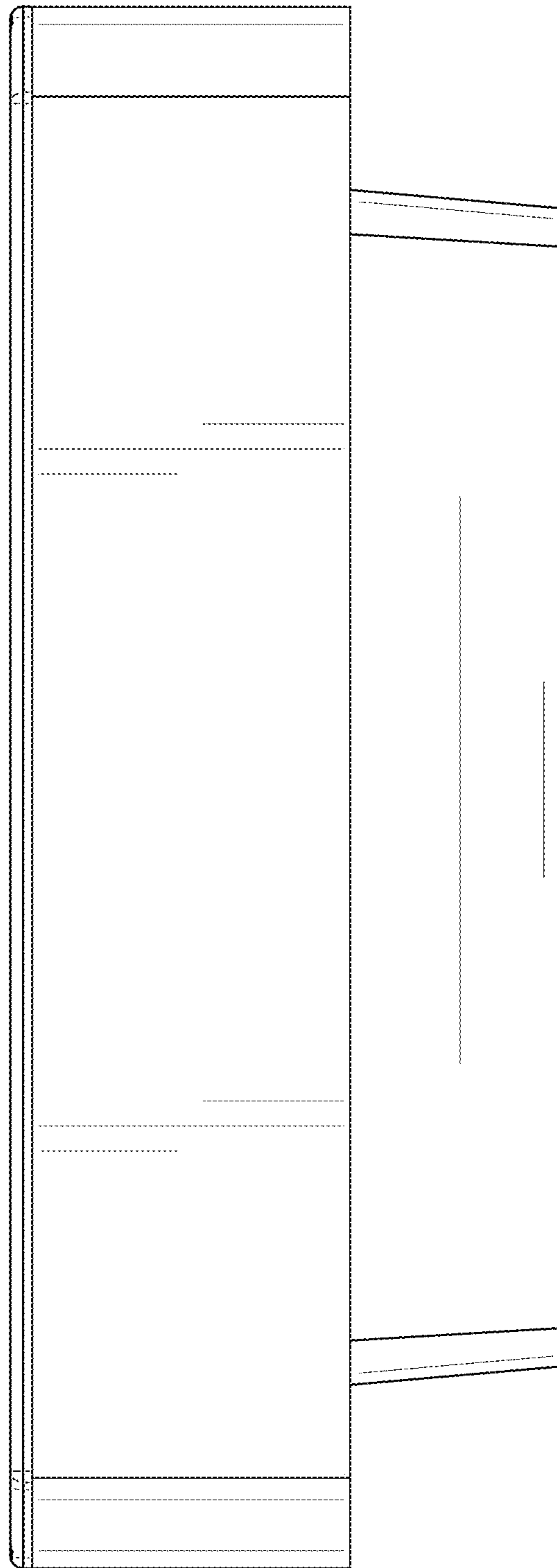


FIG. 5

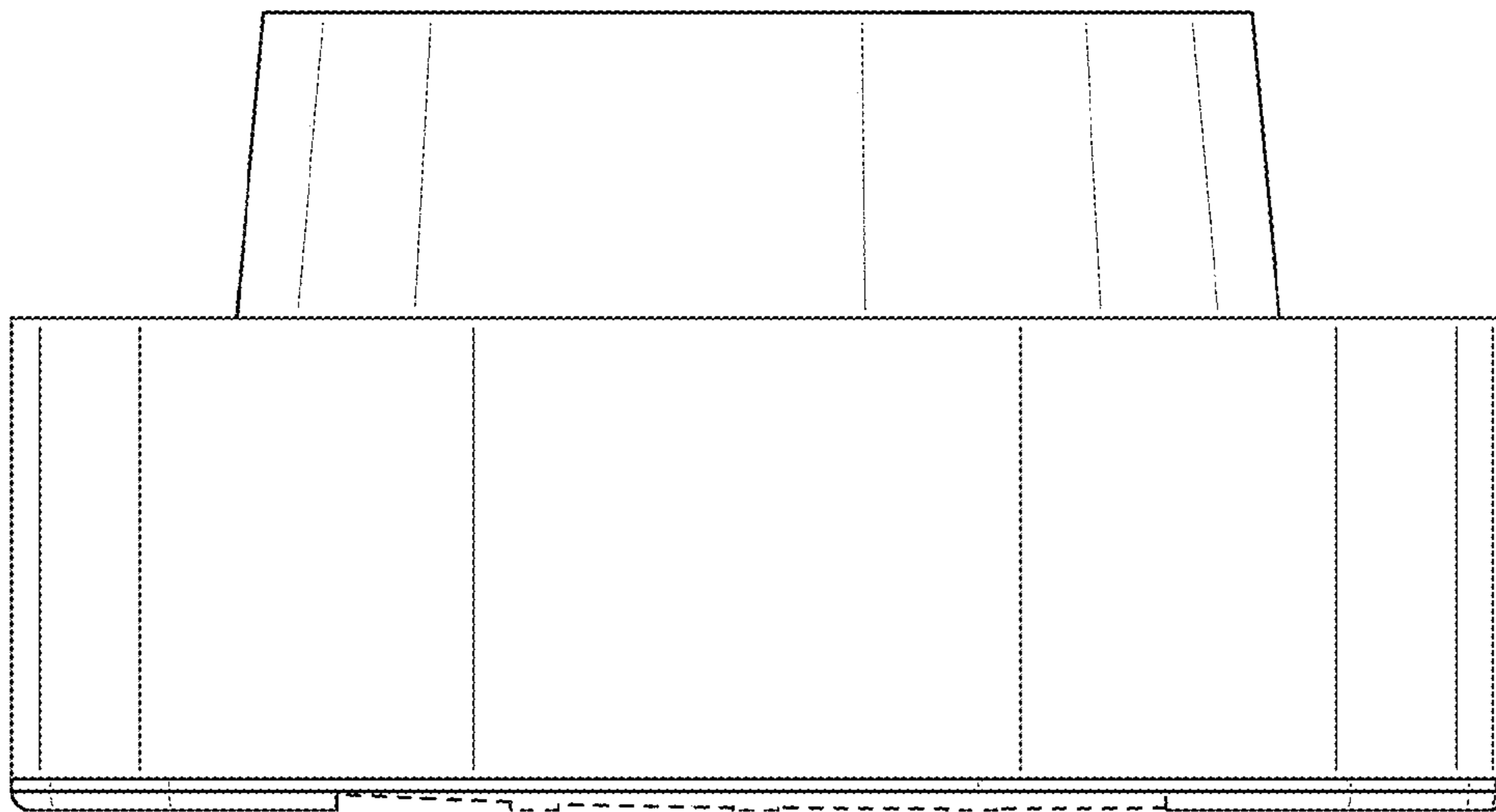


FIG. 6



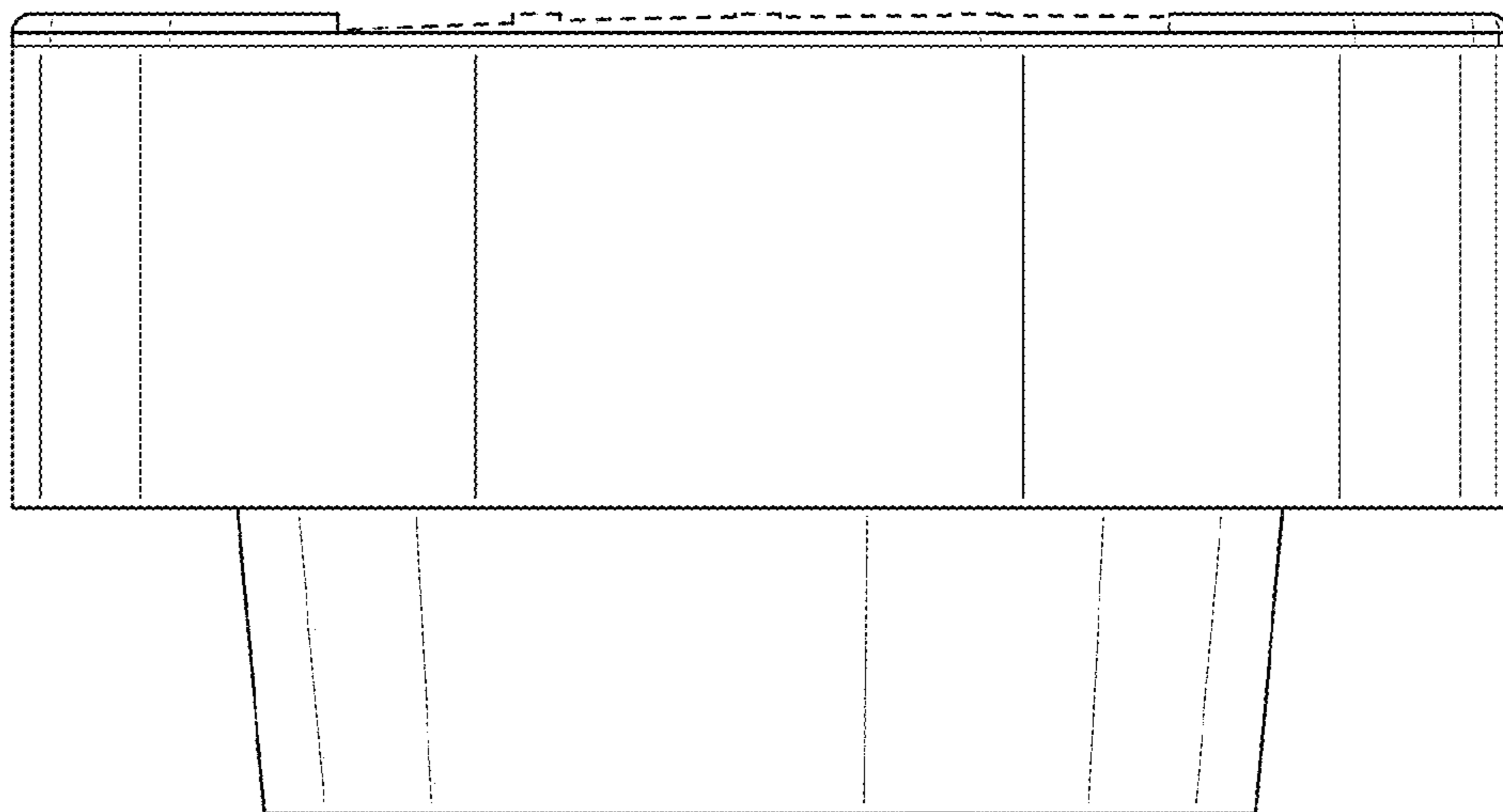


FIG. 7

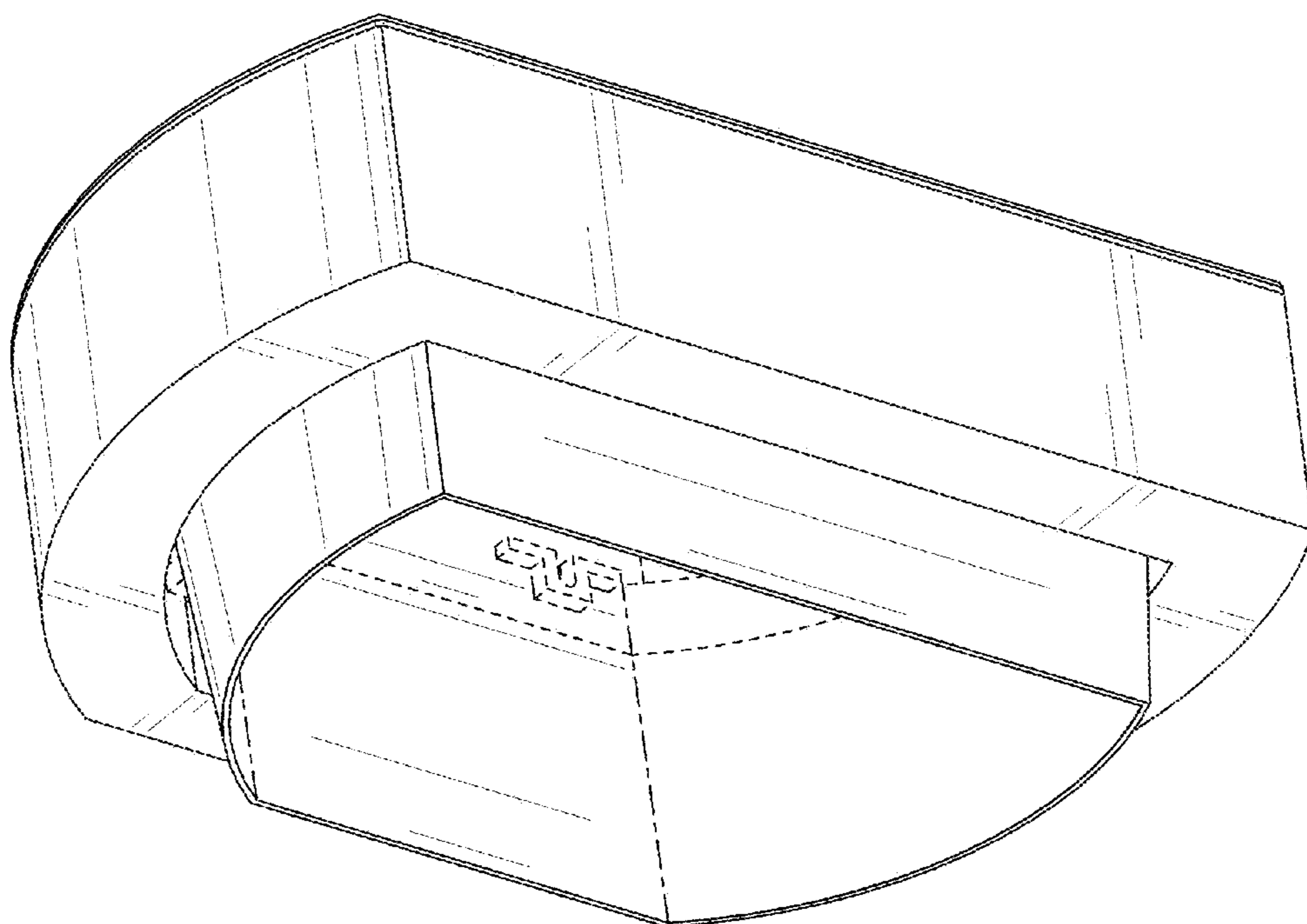


FIG. 8