



US00D722676S

(12) **United States Design Patent**
Gaertner

(10) **Patent No.:** **US D722,676 S**

(45) **Date of Patent:** **** Feb. 17, 2015**

(54) **VALVES**

(71) Applicant: **Frank T. Gaertner**, Ladenburg (DE)

(72) Inventor: **Frank T. Gaertner**, Ladenburg (DE)

(73) Assignee: **Buerkert Werke GmbH**, Ingelfingen (DE)

(**) Term: **14 Years**

(21) Appl. No.: **29/481,269**

(22) Filed: **Feb. 4, 2014**

Related U.S. Application Data

(62) Division of application No. 29/410,446, filed on Jan. 9, 2012, now Pat. No. Des. 701,943.

(51) **LOC (10) Cl.** **23-01**

(52) **U.S. Cl.**
USPC **D23/233**

(58) **Field of Classification Search**
USPC D23/233-237, 244-249; 137/43, 197, 137/202, 209, 433; 251/901
See application file for complete search history.

(56) **References Cited**

U.S. PATENT DOCUMENTS

D100,707 S *	8/1936	McCracken	D23/235
5,957,150 A *	9/1999	Perkins	137/202
D538,890 S *	3/2007	Park	D23/233
D674,467 S *	1/2013	Weingarten	D23/233
D674,468 S *	1/2013	Weingarten	D23/233
8,402,994 B2 *	3/2013	Smit	137/391

D687,124 S *	7/2013	Weingarten	D23/233
D701,943 S *	4/2014	Gaertner	D23/233
2010/0108156 A1 *	5/2010	Katzman	137/202

* cited by examiner

Primary Examiner — Cynthia Ramirez

(74) *Attorney, Agent, or Firm* — Carlson, Gaskey & Olds, PC

(57) **CLAIM**

The ornamental design for a valve, as shown and described.

DESCRIPTION

FIG. 1 is a perspective view of a first embodiment of a valve including a transparent cap.

FIG. 2 is a right side view of the valve of FIG. 1.

FIG. 3 is a rear view of the valve of FIG. 1.

FIG. 4 is a top view of the valve of FIG. 1.

FIG. 5 is a front view of the valve of FIG. 1.

FIG. 6 is a bottom view of the valve of FIG. 1.

FIG. 7 is a left side view of the valve of FIG. 1.

FIG. 8 is a perspective view of a second embodiment of a valve similar to the embodiment in FIGS. 1-7, but includes an opaque cap.

FIG. 9 is a right side view of the valve of FIG. 8.

FIG. 10 is a rear view of the valve of FIG. 8.

FIG. 11 is a top view of the valve of FIG. 8.

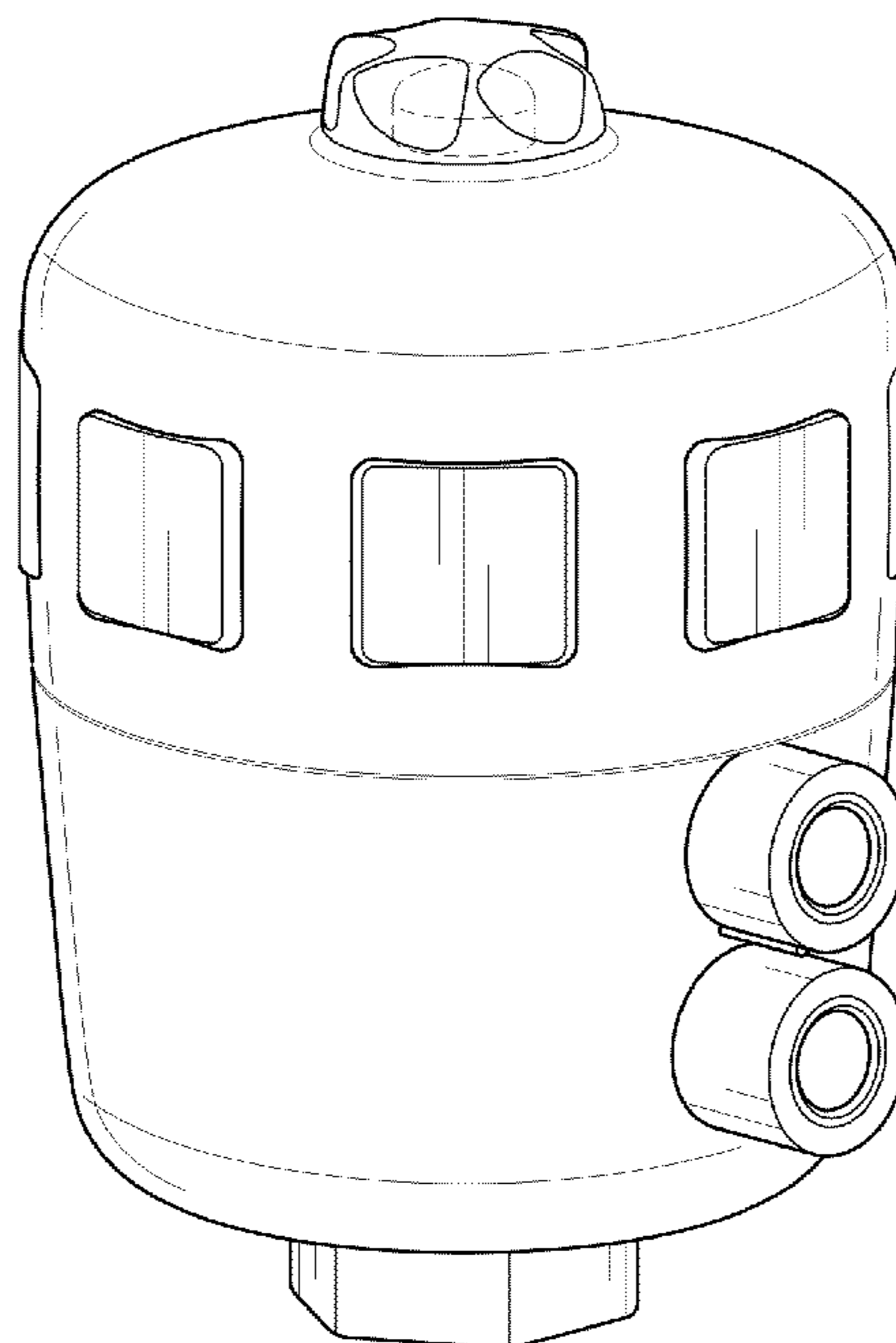
FIG. 12 is a front view of the valve of FIG. 8.

FIG. 13 is a bottom view of the valve of FIG. 8; and,

FIG. 14 is a left side view of the valve of FIG. 8.

The broken line showing in FIGS. 1-5 and 7 is included for the purpose of illustrating portions of the valve and forms no part of the claimed design.

1 Claim, 7 Drawing Sheets



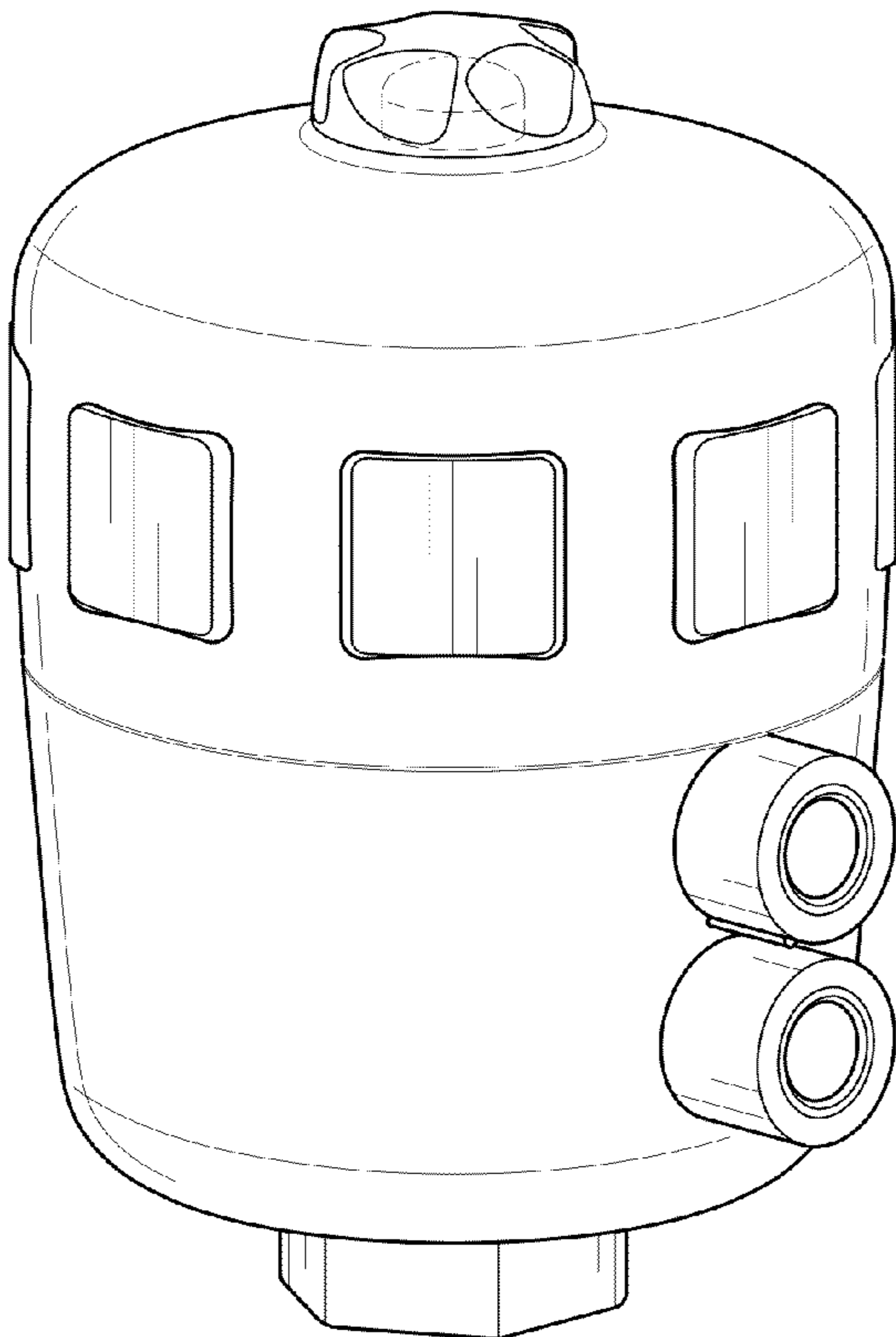


Fig-1

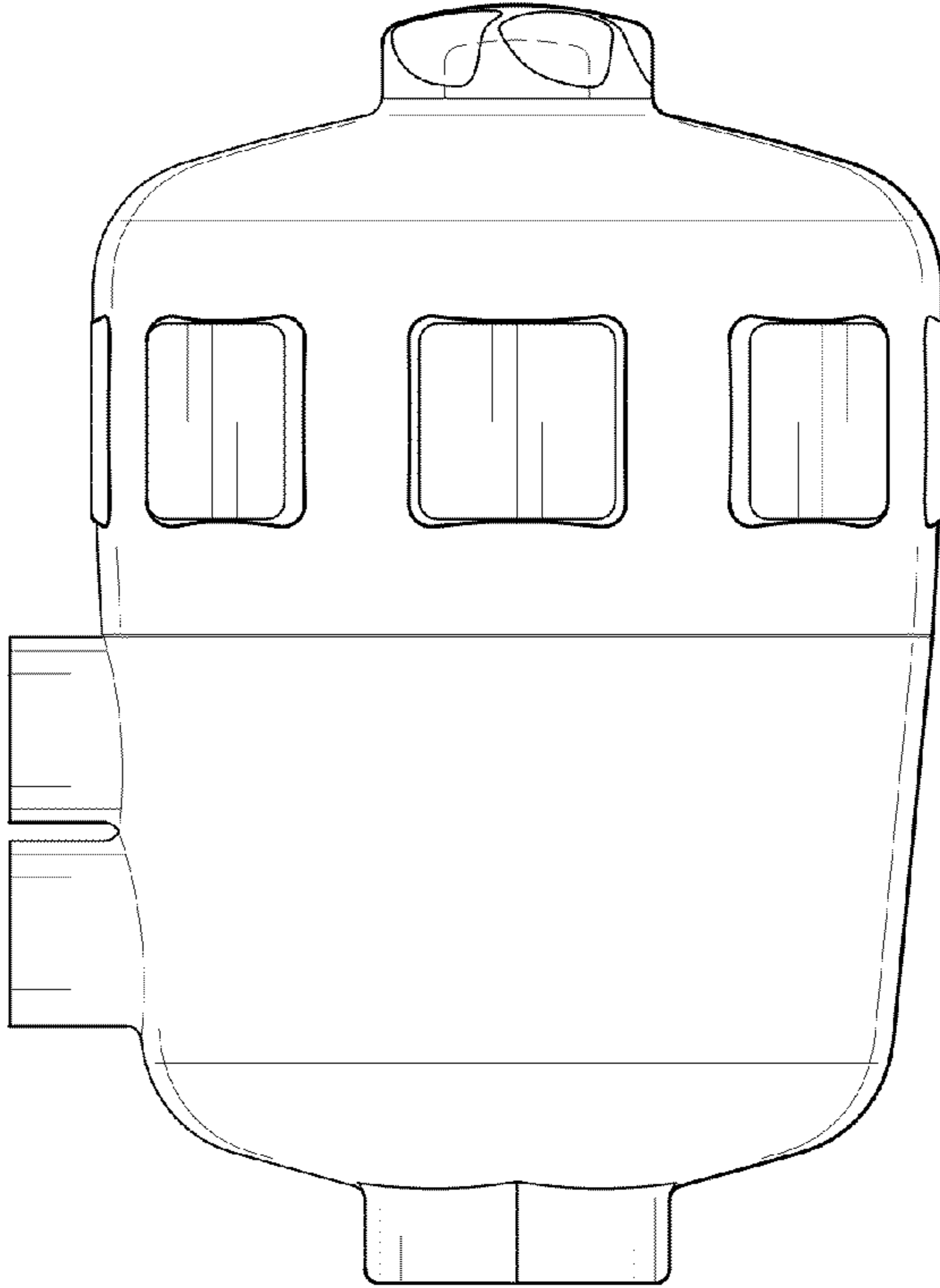


Fig-2

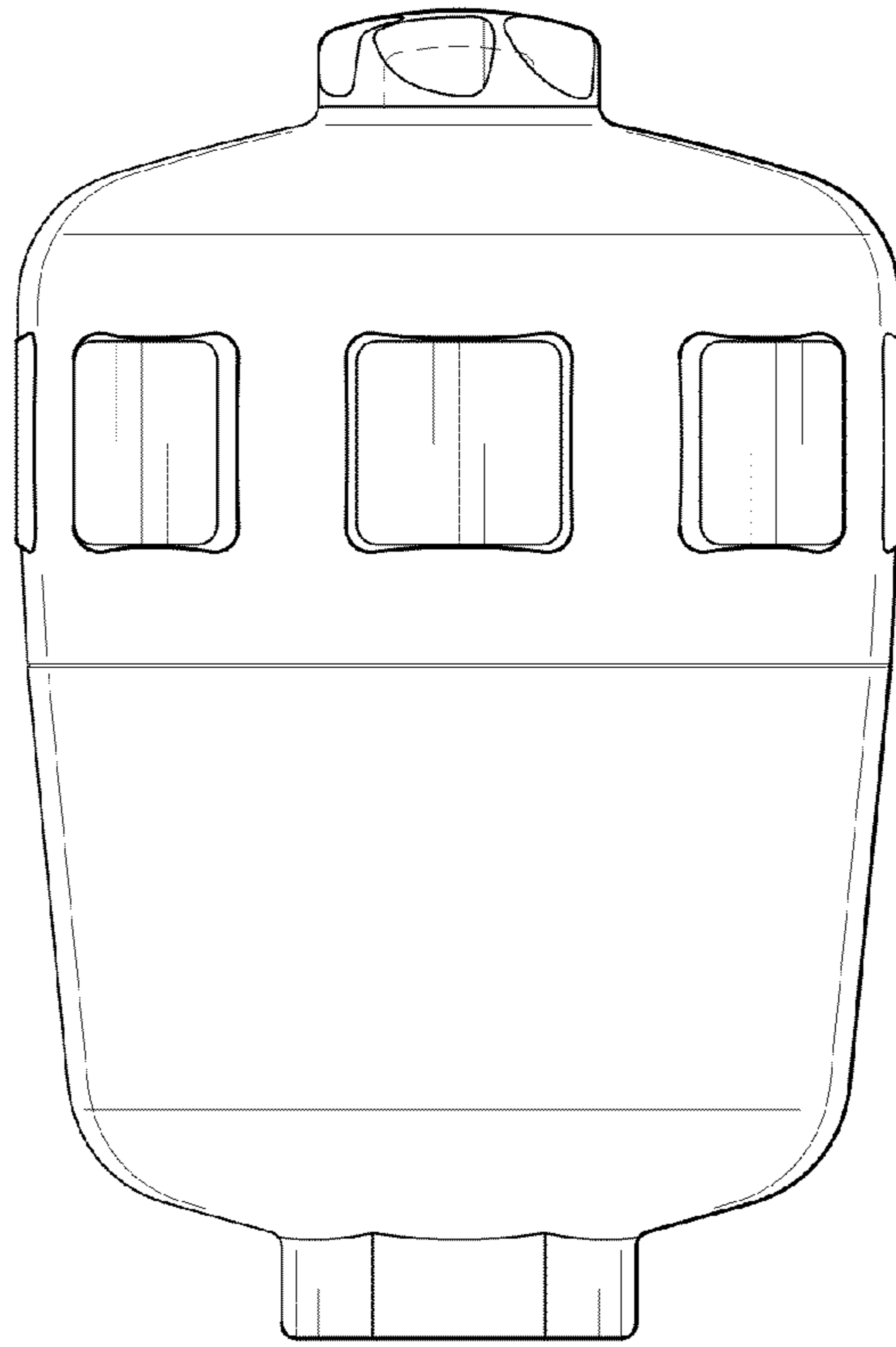


Fig-3

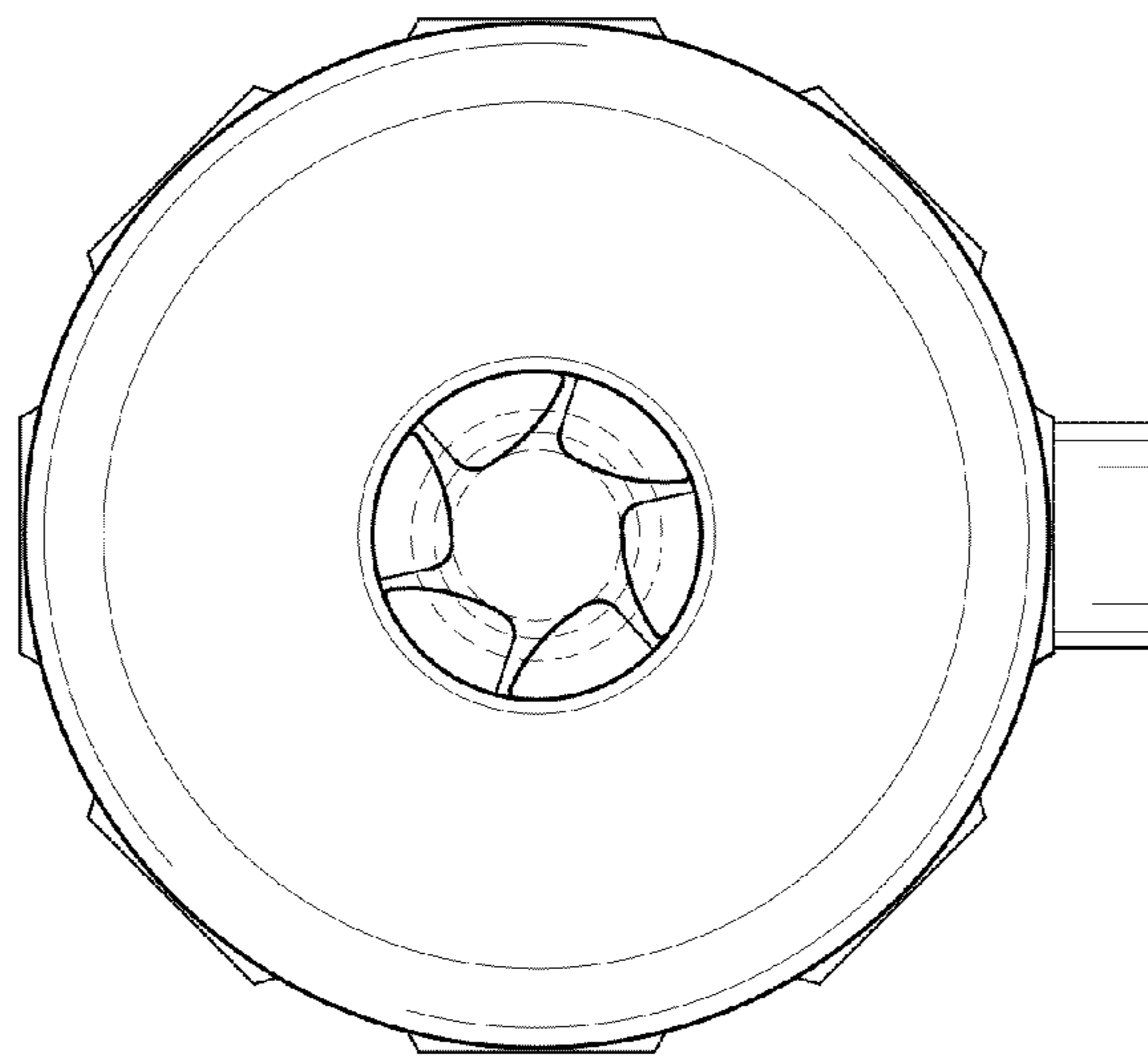


Fig-4

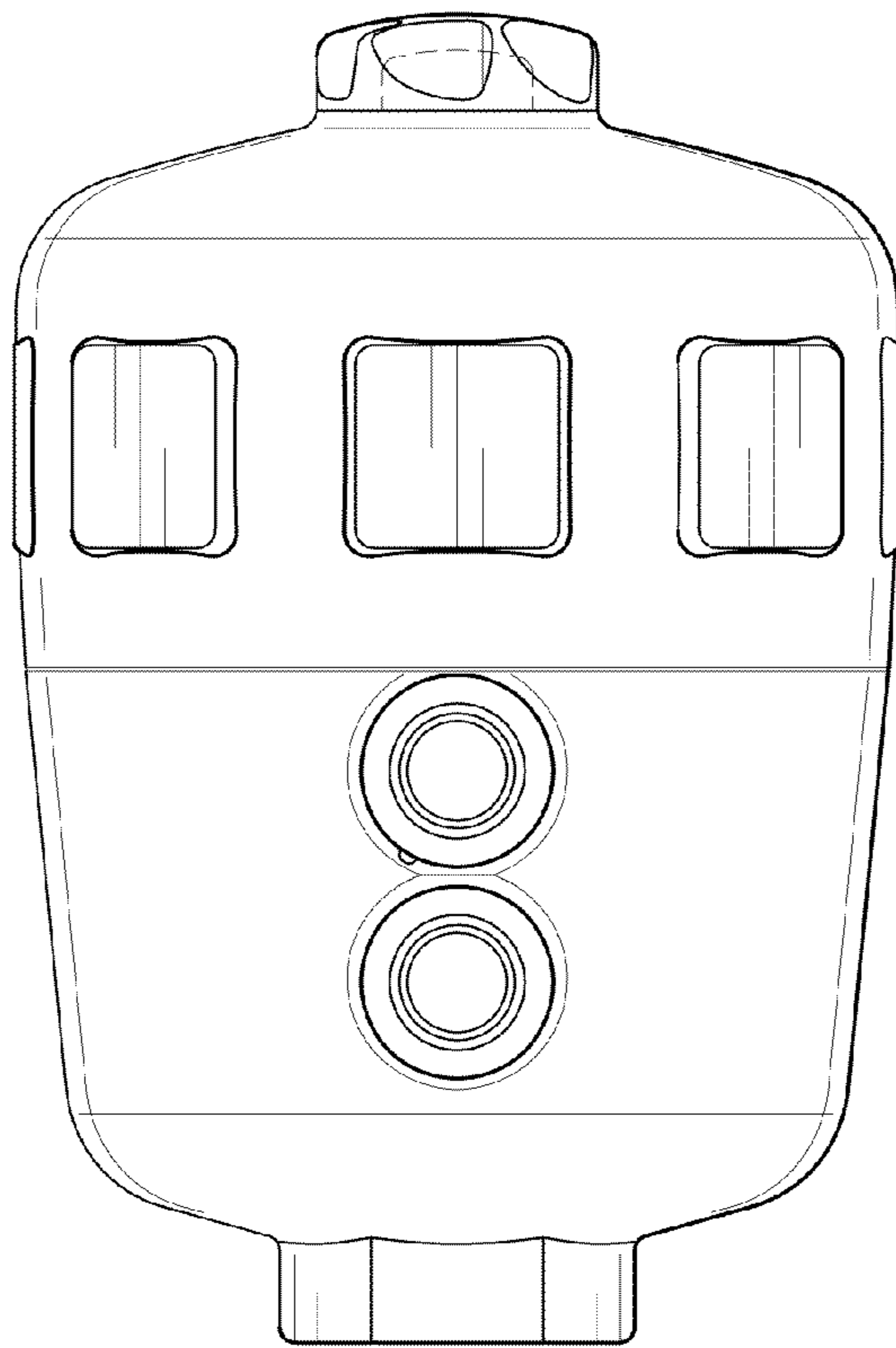


Fig-5

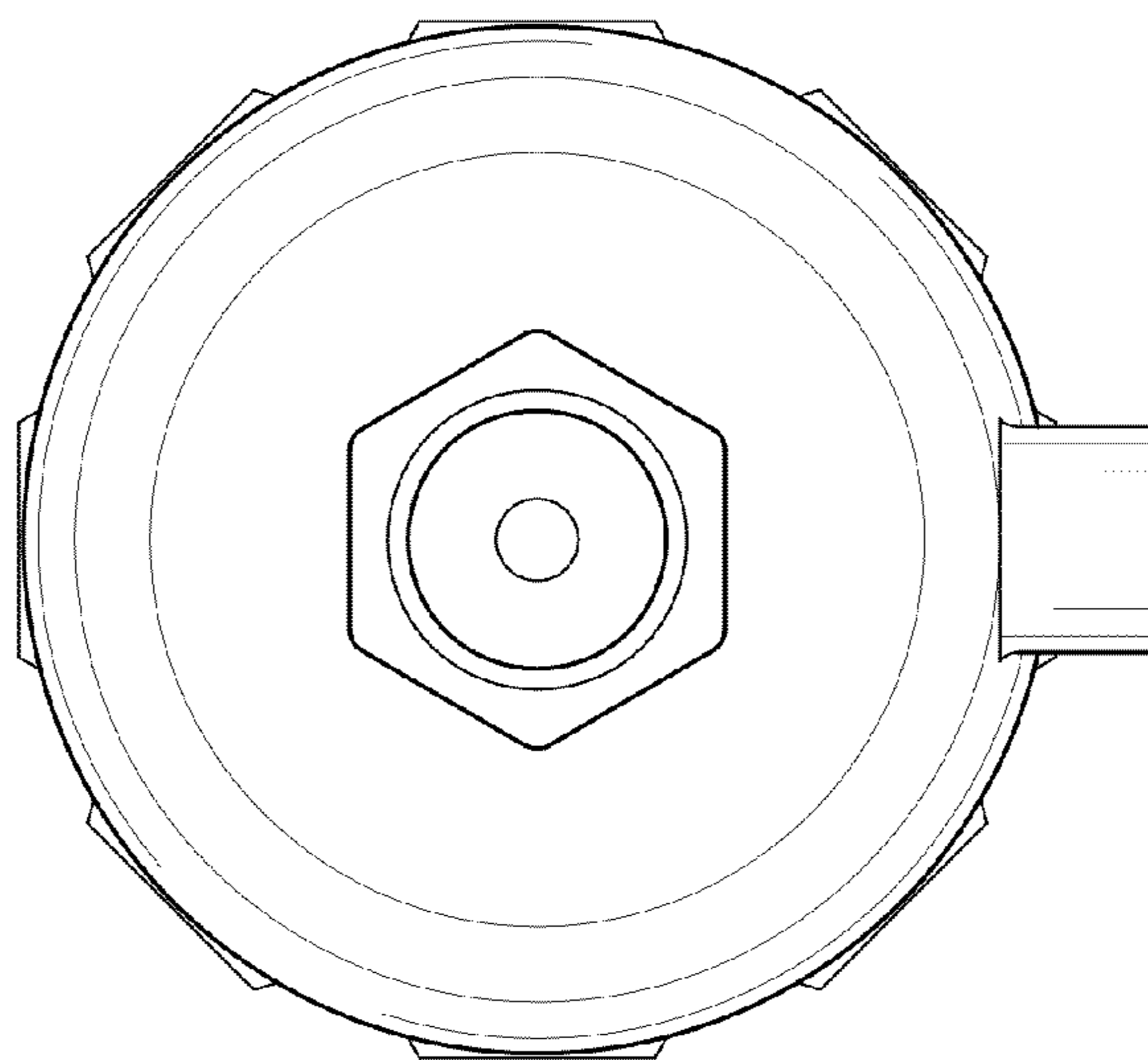


Fig-6

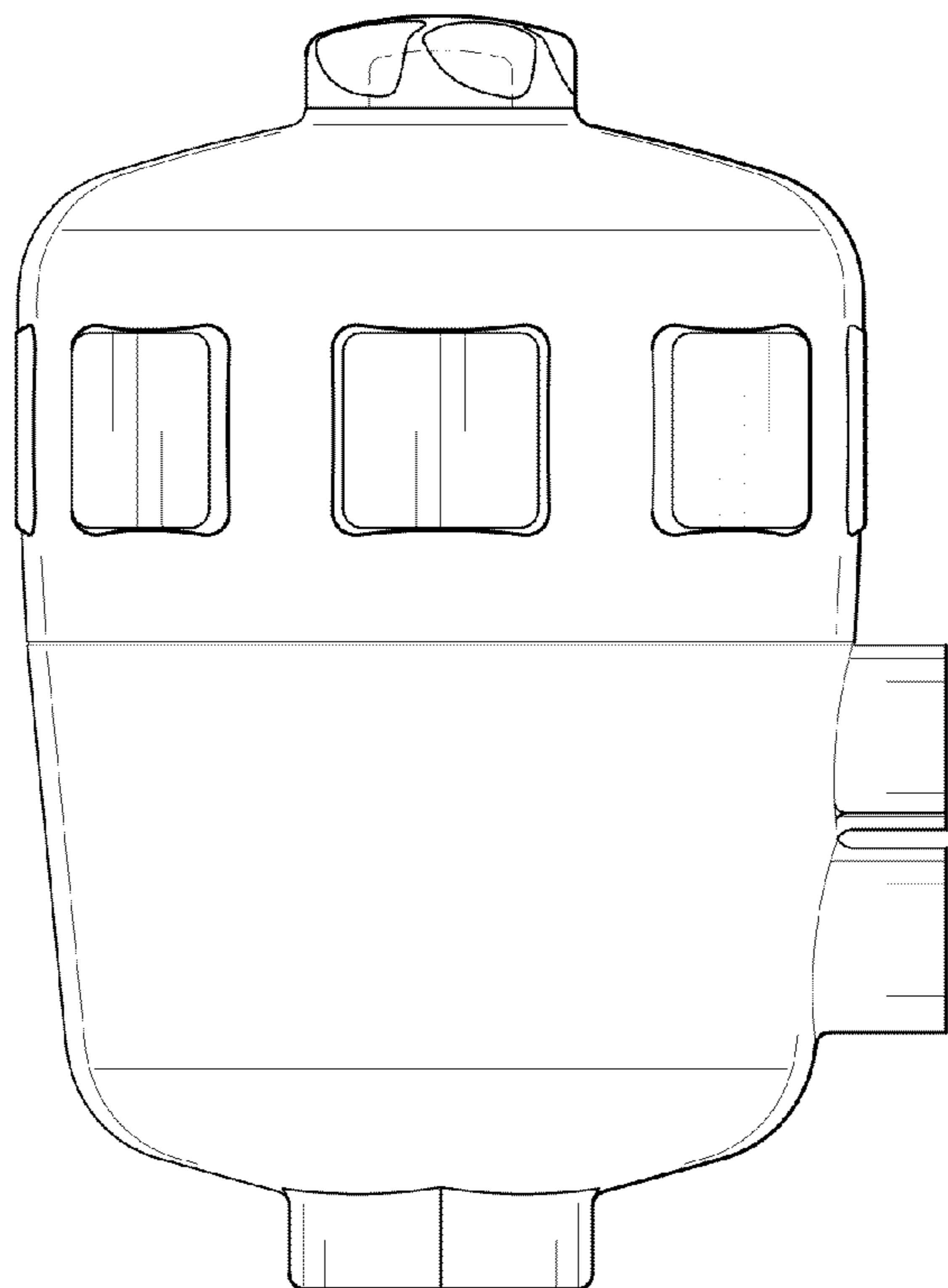


Fig-7

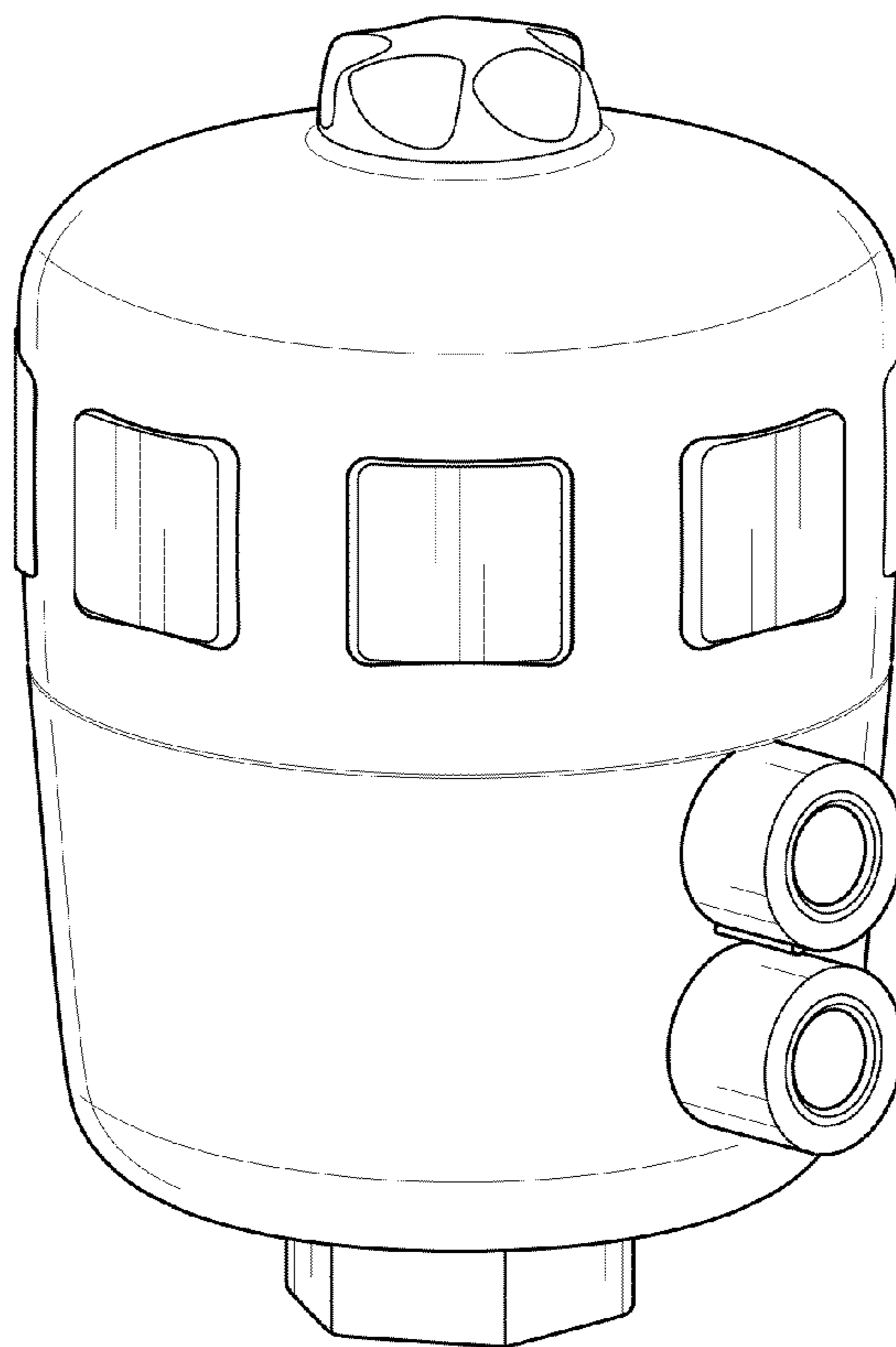


Fig-8

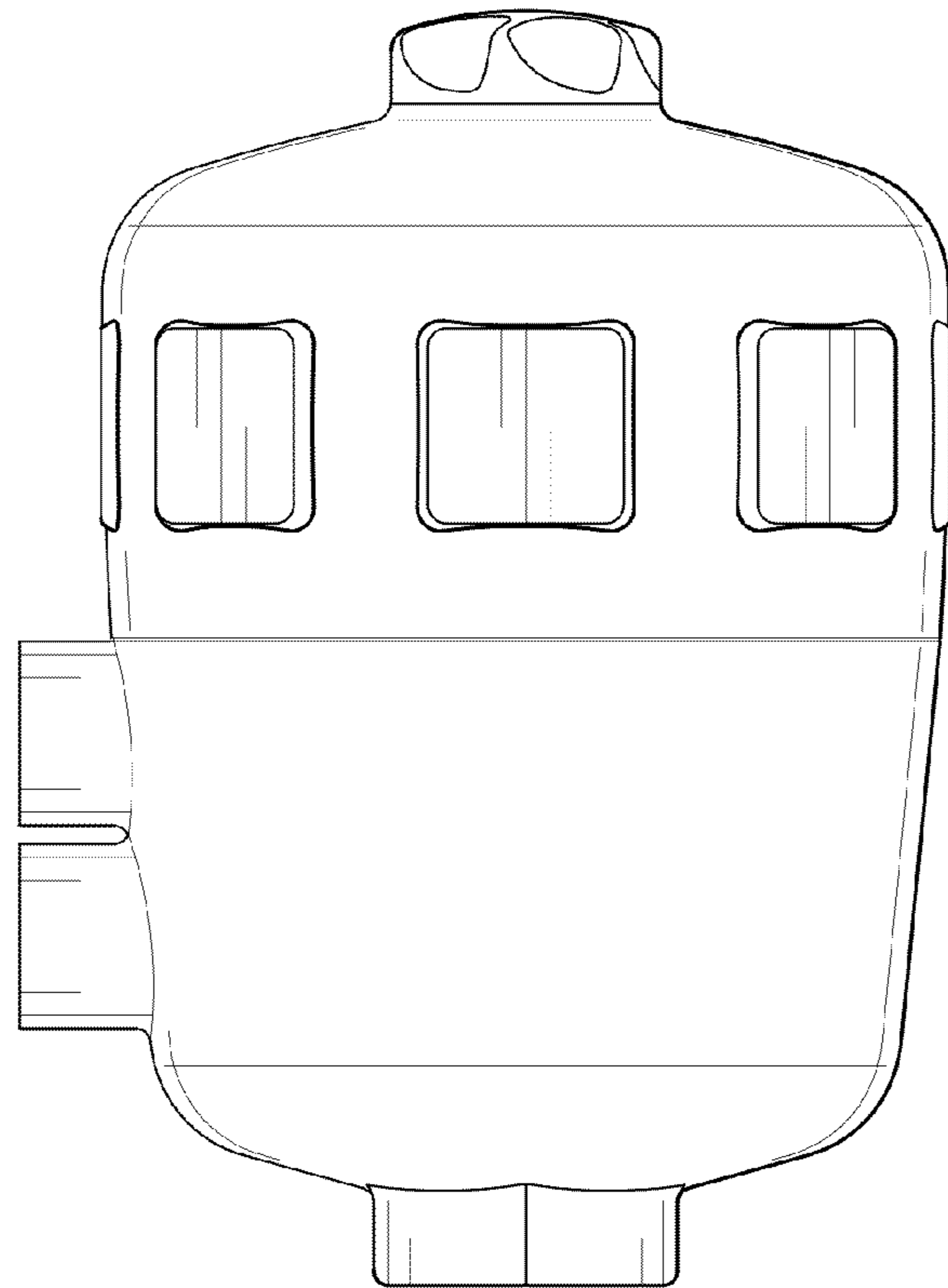


Fig-9

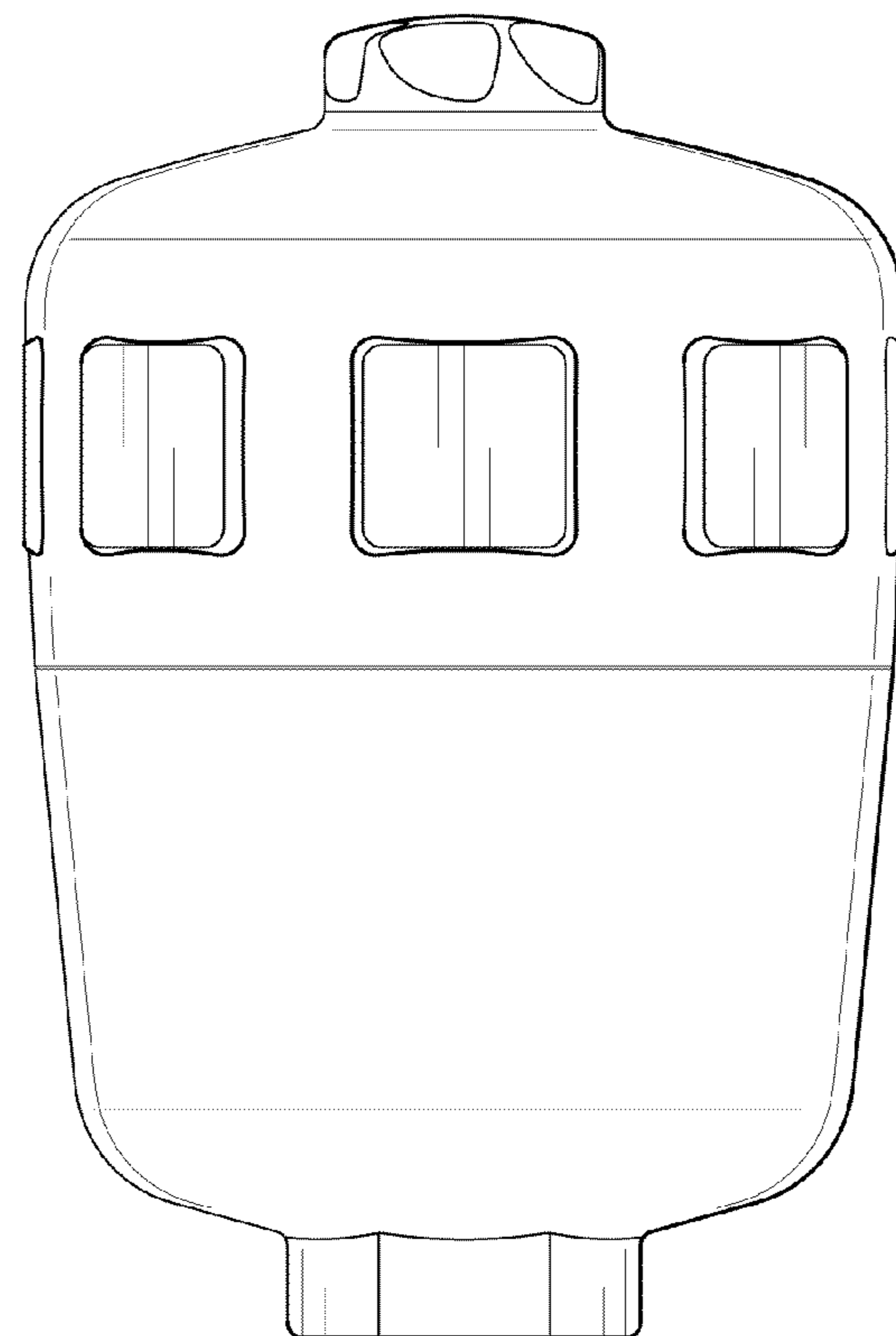


Fig-10

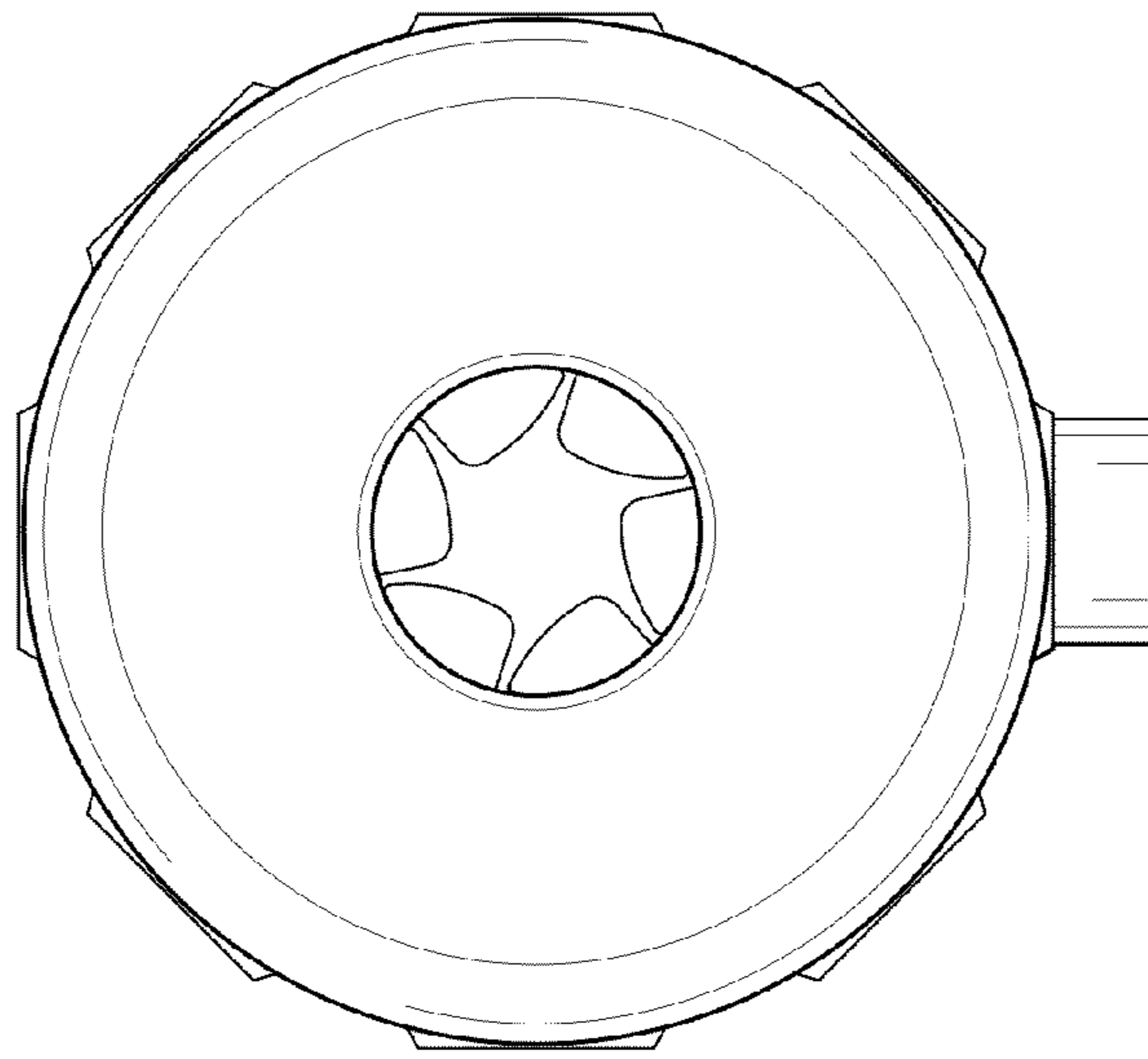


Fig-11

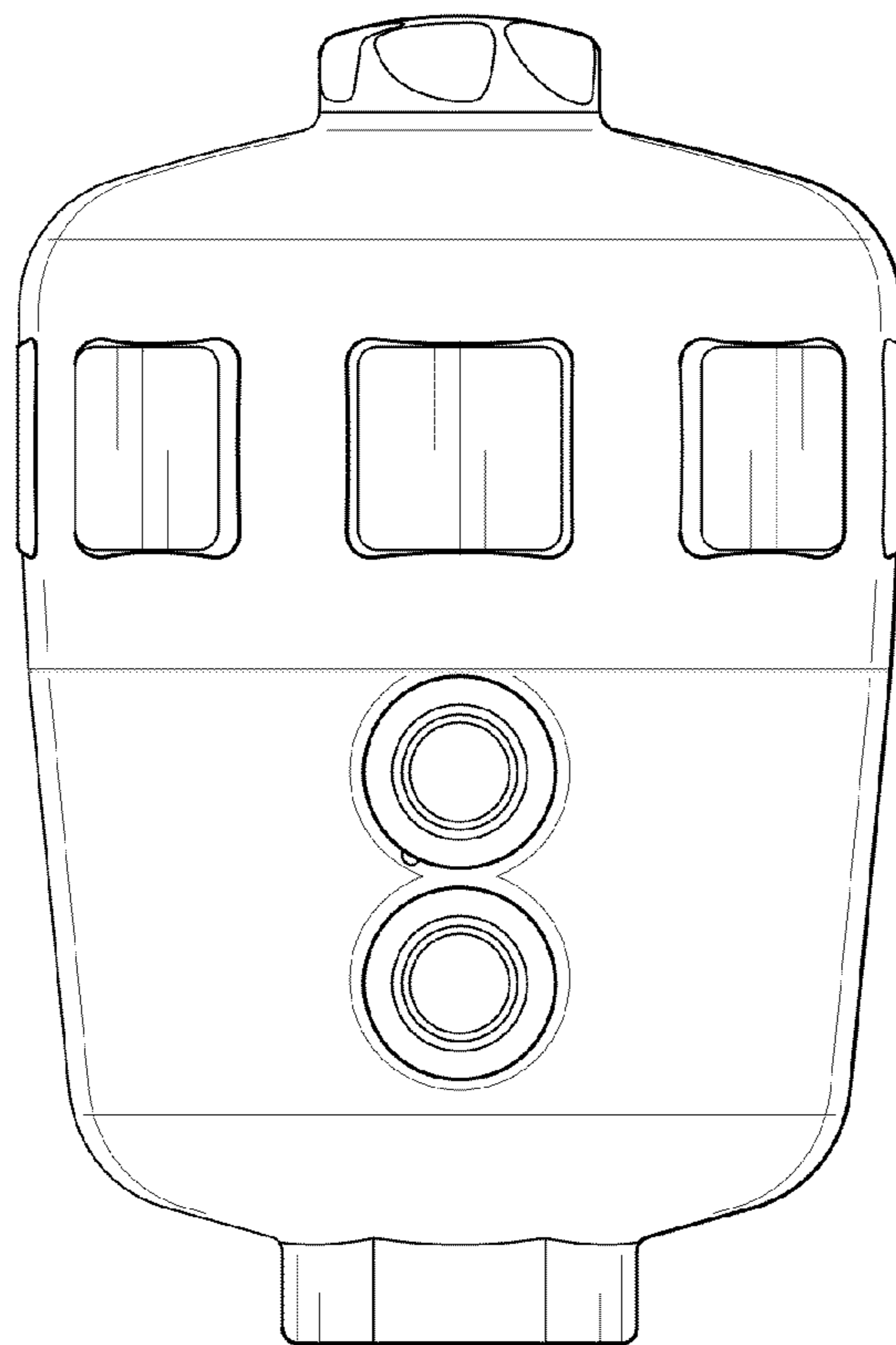


Fig-12

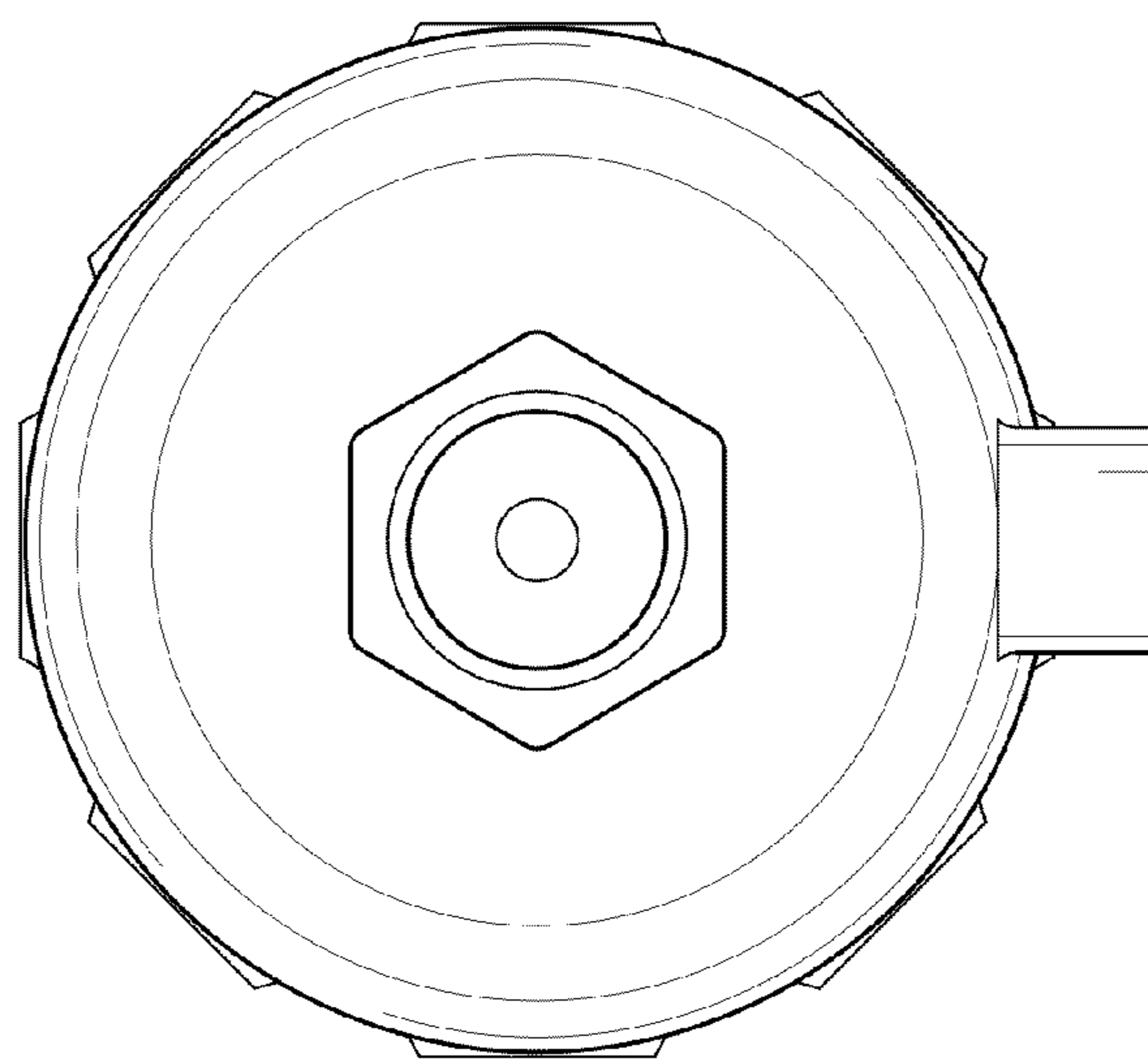


Fig-13

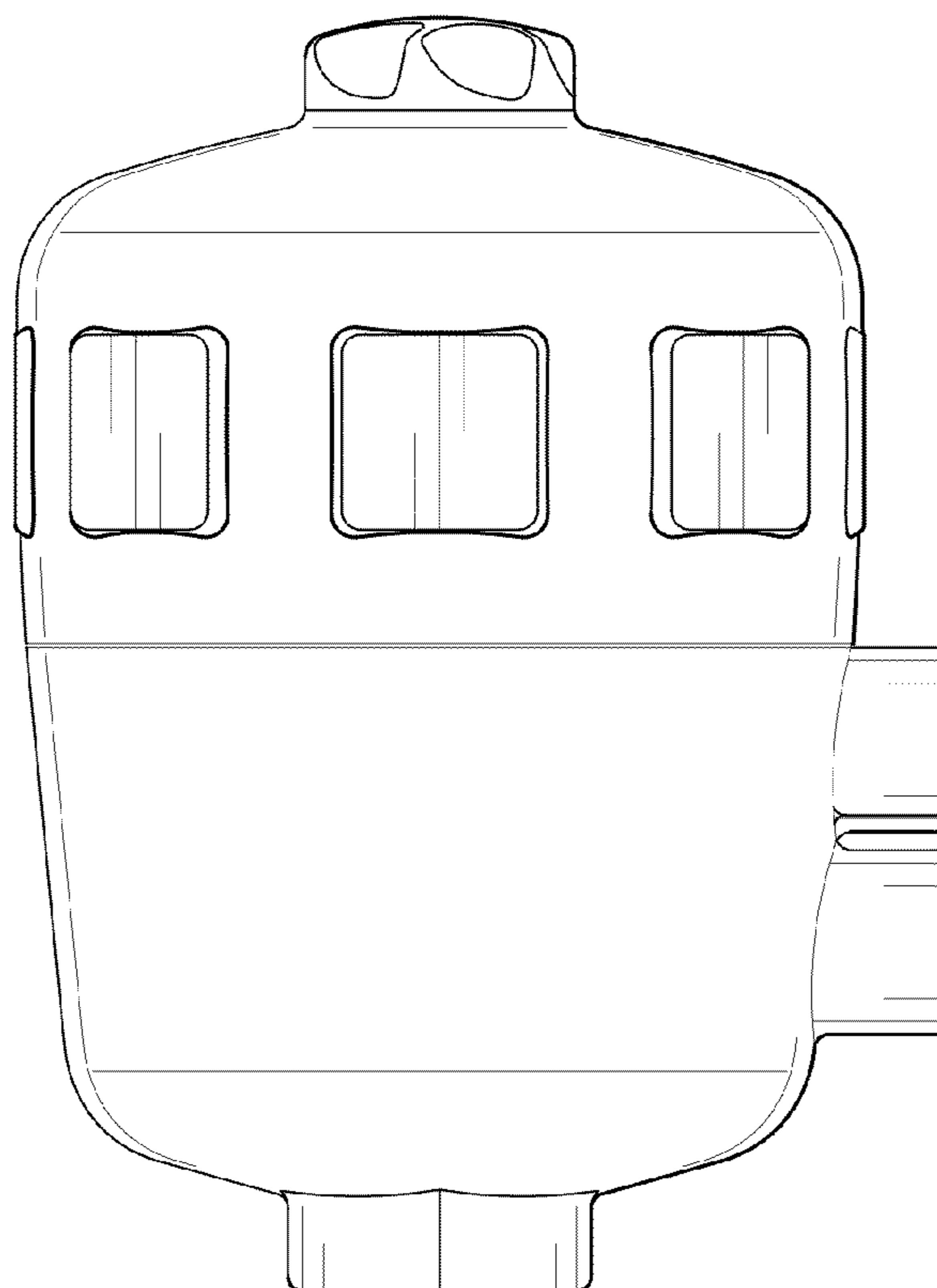


Fig-14