



US00D722675S

(12) **United States Design Patent**
Del Ponte et al.

(10) **Patent No.:** **US D722,675 S**
(45) **Date of Patent:** **** Feb. 17, 2015**

(54) **WATER FILTRATION SYSTEM**

(71) Applicant: **Soma Water, Inc.**, San Francisco, CA (US)
(72) Inventors: **Michael Robert Del Ponte**, San Francisco, CA (US); **Markus Peter Diebel**, San Francisco, CA (US); **Joe Sung-Ho Tan**, San Francisco, CA (US)
(73) Assignee: **Soma Water, Inc.**, San Francisco, CA (US)

(**) Term: **14 Years**

(21) Appl. No.: **29/469,402**

(22) Filed: **Oct. 9, 2013**

(51) **LOC (10) Cl.** **23-01**

(52) **U.S. Cl.**
USPC **D23/209**

(58) **Field of Classification Search**
USPC D23/207, 209; 210/435, 446, 451, 455, 210/651

See application file for complete search history.

(56) **References Cited**

U.S. PATENT DOCUMENTS

D697,170 S * 1/2014 Bradford et al. D23/209
D697,171 S * 1/2014 Bradford et al. D23/209
D697,172 S * 1/2014 Bradford et al. D23/209

* cited by examiner

Primary Examiner — Robin V Webster
(74) *Attorney, Agent, or Firm* — Perkins Coie LLP

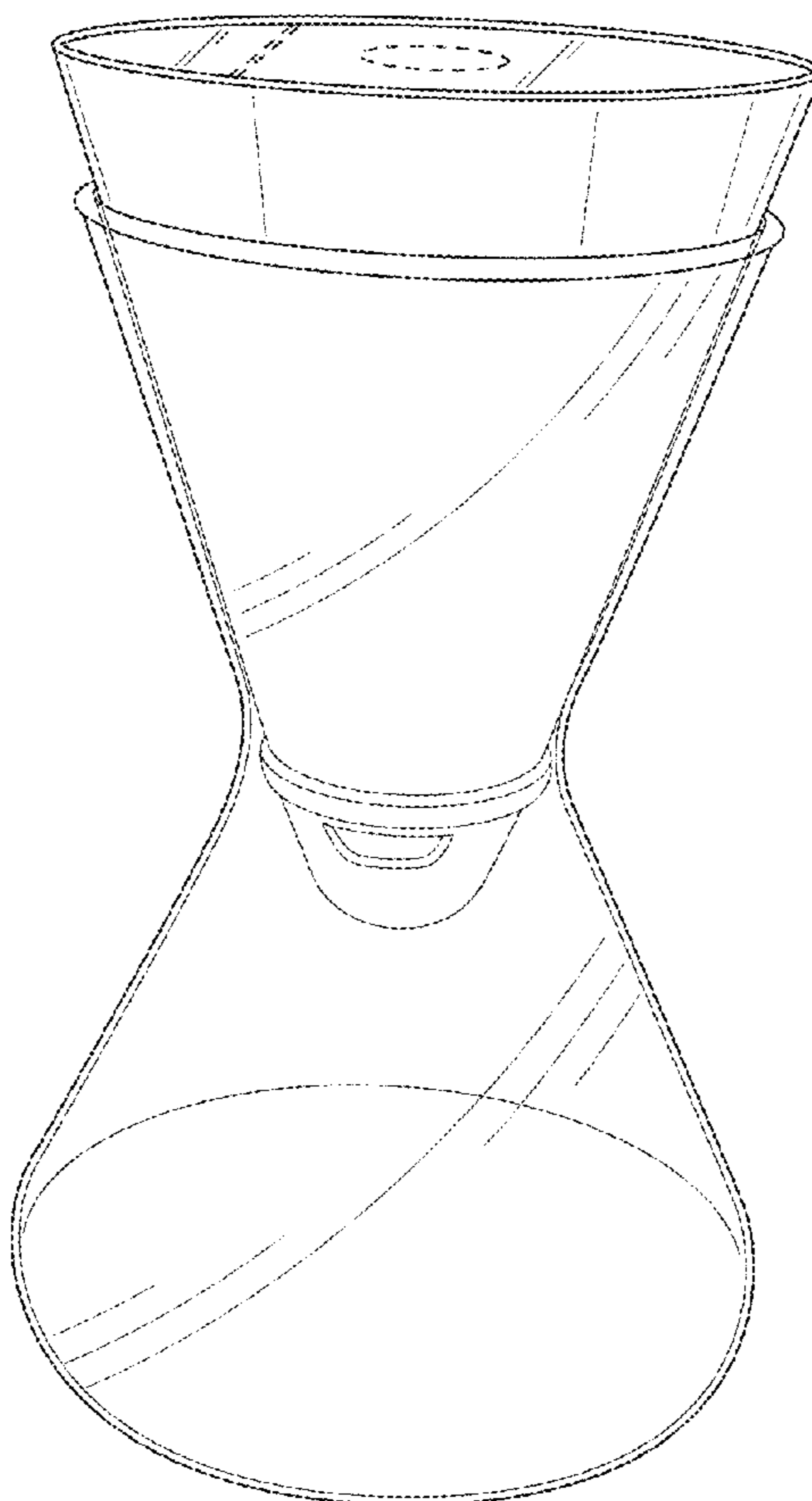
(57) **CLAIM**

The ornamental design for a water filtration system, as shown and described.

DESCRIPTION

FIG. 1 is a front isometric view of an embodiment of a water filtration system showing our new design.
FIG. 2 is a front elevation view thereof.
FIG. 3 is a back elevation view thereof.
FIG. 4 is a left side elevation view thereof.
FIG. 5 is a right side elevation view thereof.
FIG. 6 is a top plan view thereof; and,
FIG. 7 is a bottom plan view thereof.
Any broken lines in the Figures are for illustrative purposes only and form no part of the claimed design.

1 Claim, 7 Drawing Sheets



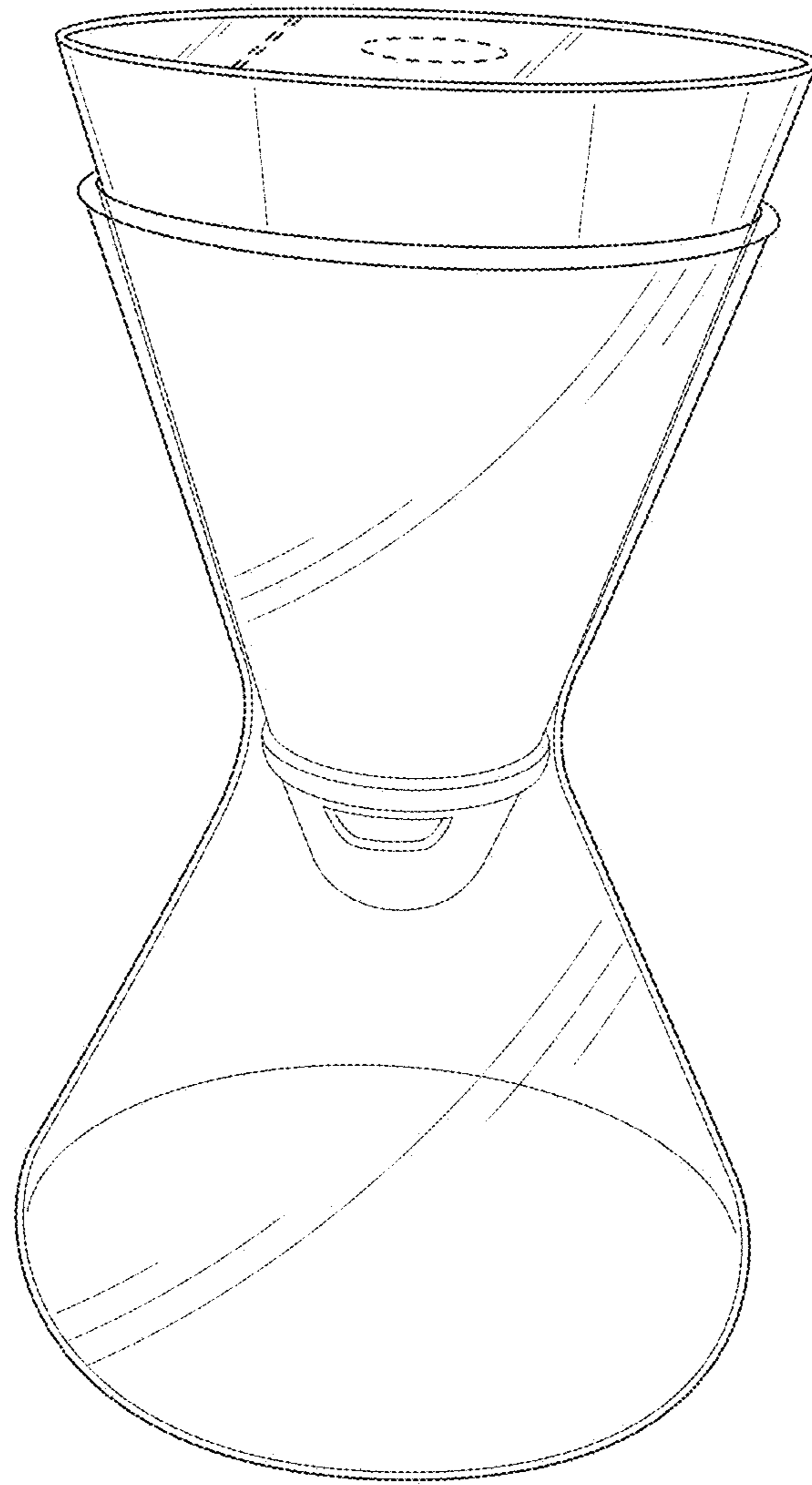


Fig. 1

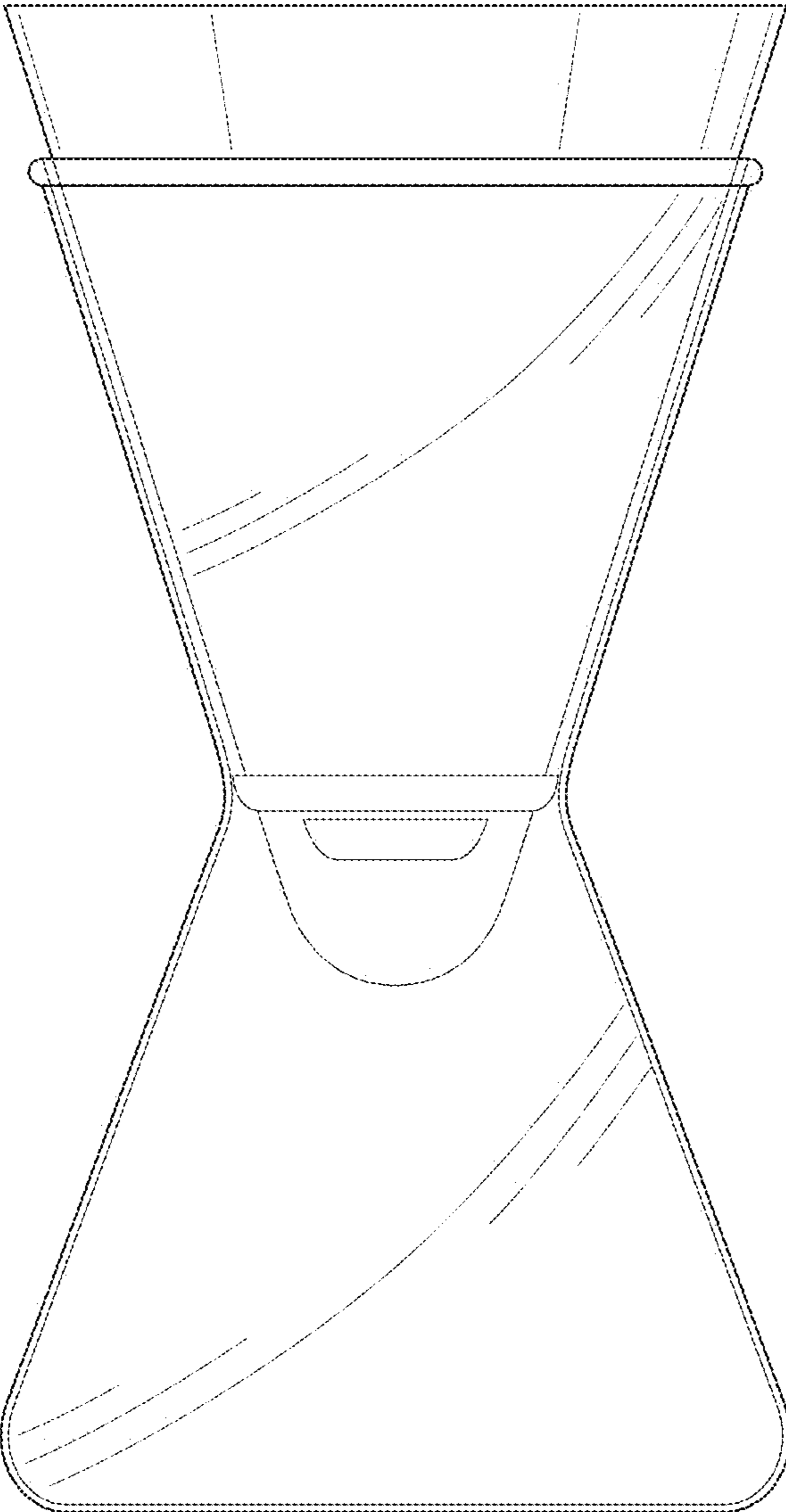


Fig. 2

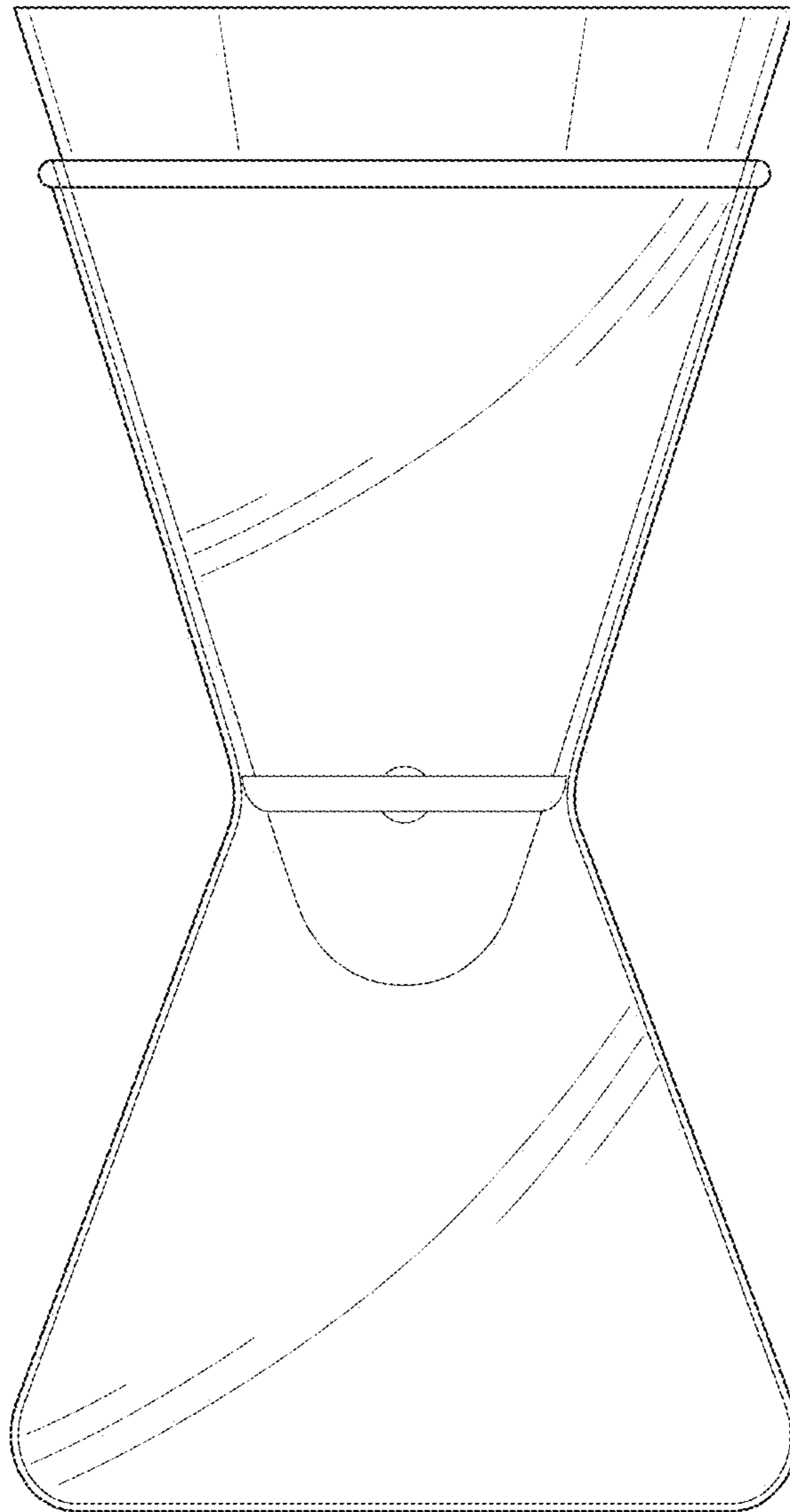


Fig. 3

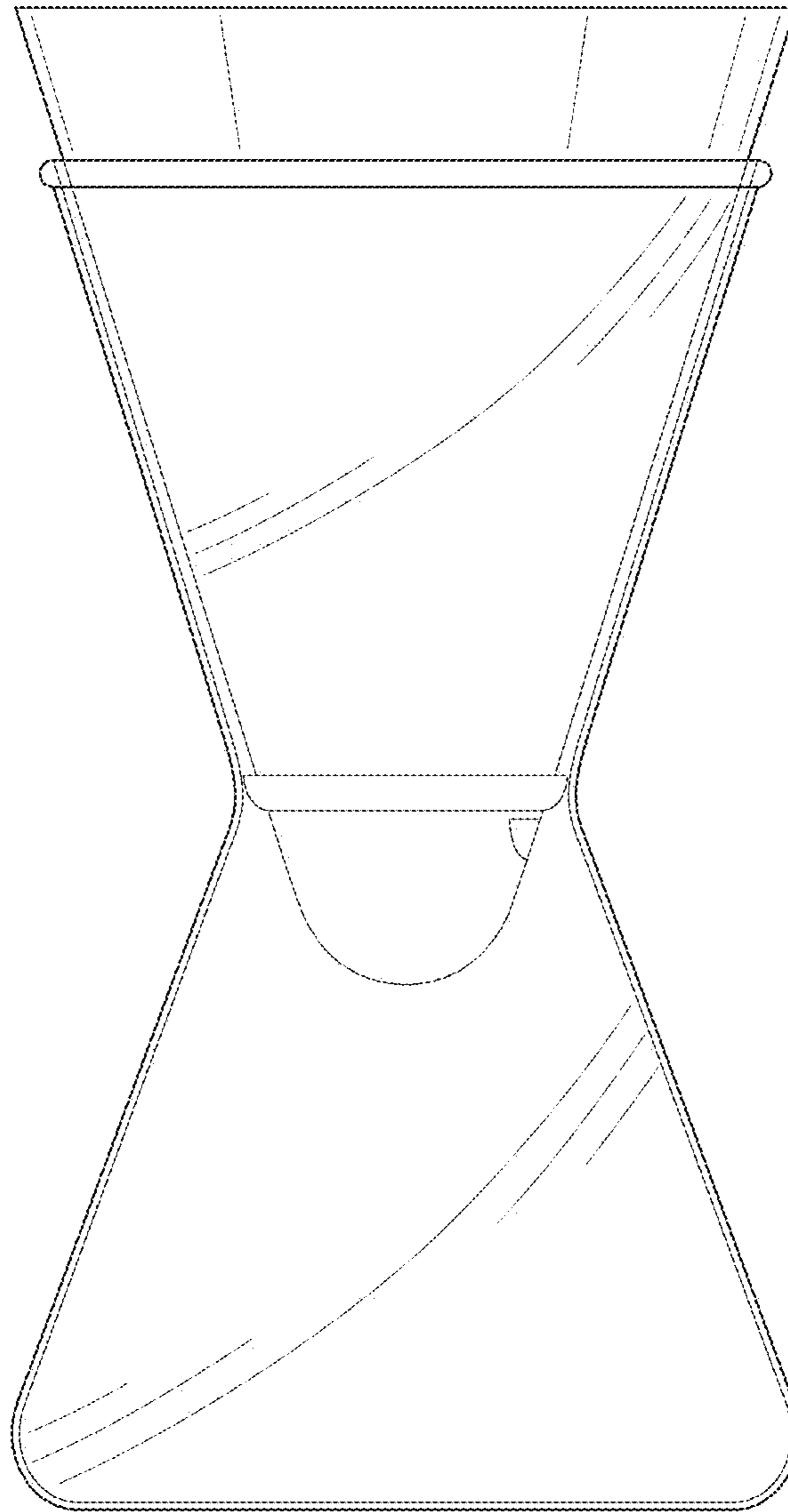


Fig. 4

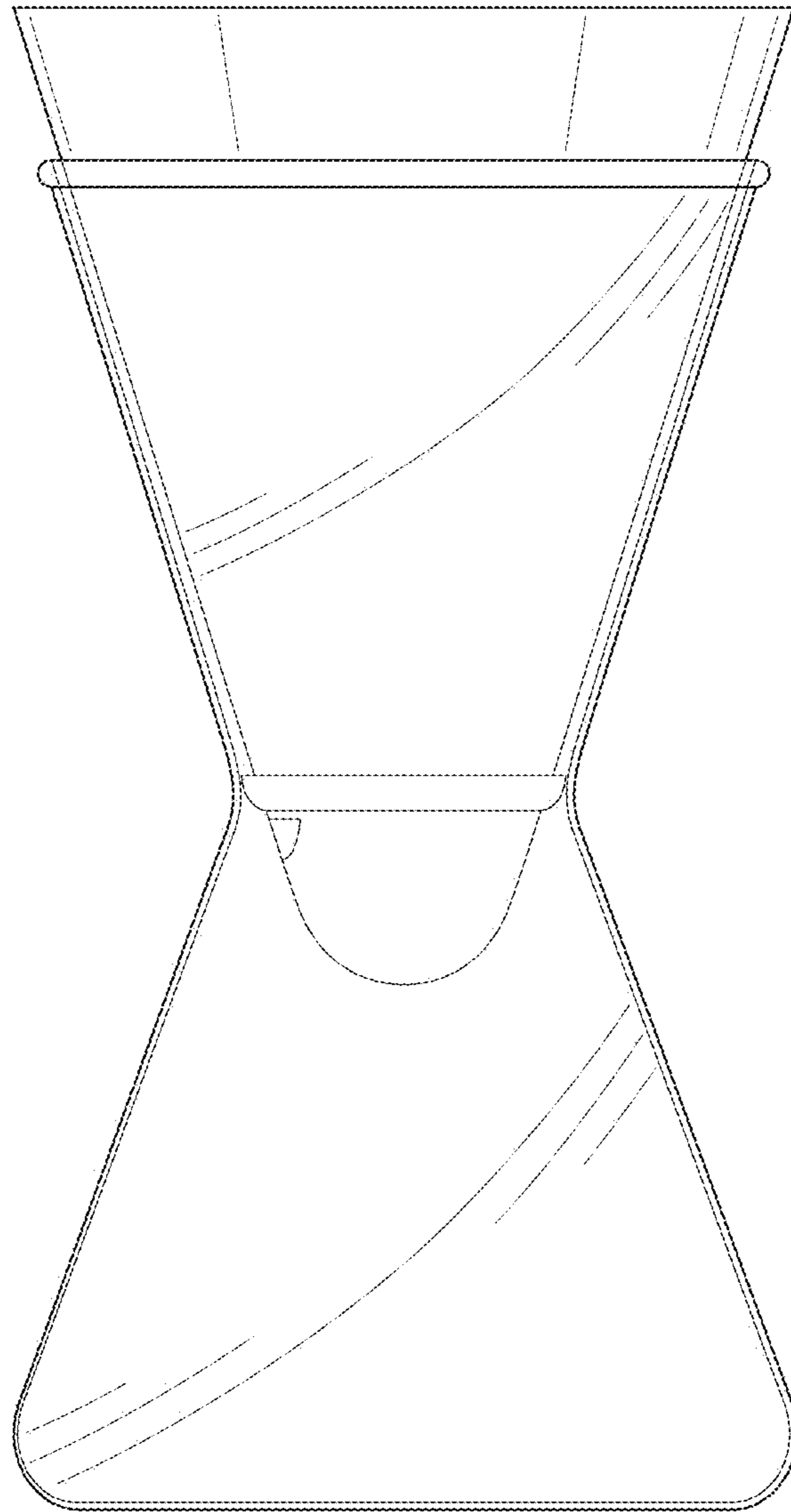


Fig. 5

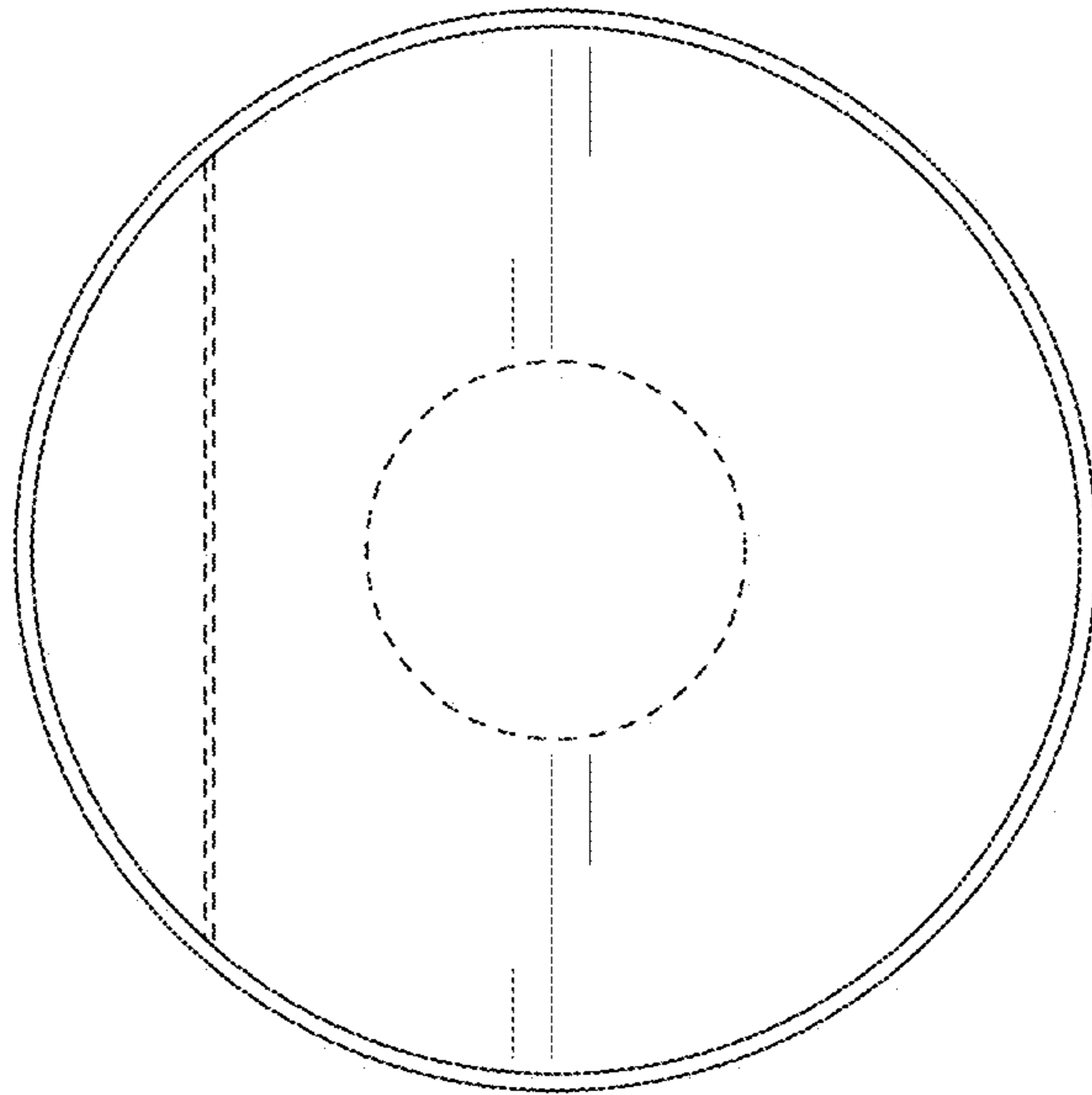


Fig. 6

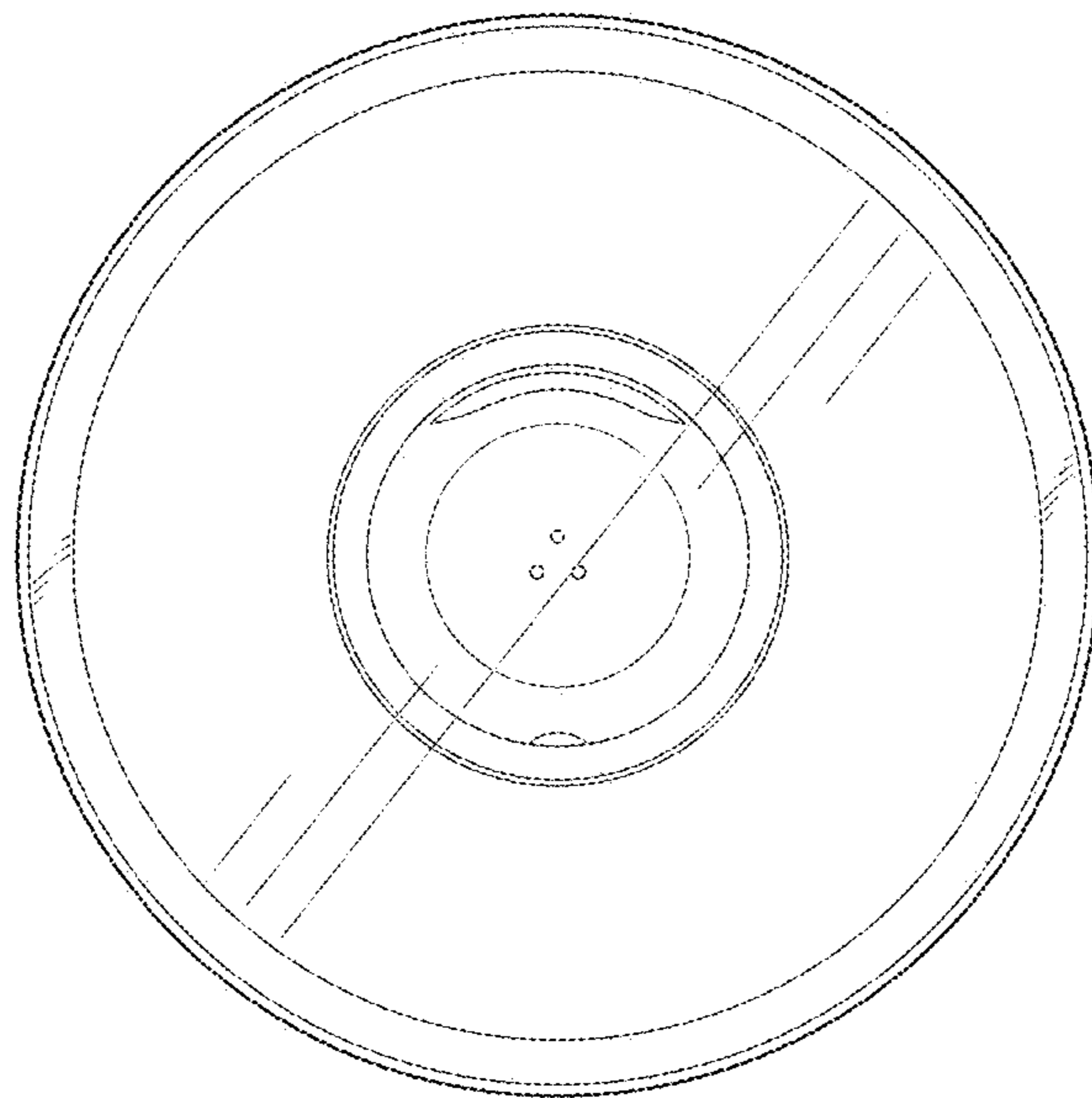


Fig. 7