



US00D722674S

(12) **United States Design Patent**
Lipkens et al.

(10) **Patent No.:** **US D722,674 S**

(45) **Date of Patent:** **** Feb. 17, 2015**

(54) **ACOUSTIC SEPARATOR**

(71) Applicant: **FloDesign Sonics Inc.**, Wilbraham, MA
(US)

(72) Inventors: **Bart Lipkens**, Hampden, MA (US);
Walter M. Presz, Jr., Wilbraham, MA
(US)

(73) Assignee: **FloDesign Sonics, Inc.**, Wilbraham, MA
(US)

(**) Term: **14 Years**

(21) Appl. No.: **29/459,244**

(22) Filed: **Jun. 27, 2013**

(51) **LOC (10) Cl.** **23-01**

(52) **U.S. Cl.**
USPC **D23/207; D23/233**

(58) **Field of Classification Search**
USPC **D23/207, 209, 233; 422/20;**
210/748.01, 748.02, 748.05
See application file for complete search history.

(56) **References Cited**

U.S. PATENT DOCUMENTS

5,085,783 A * 2/1992 Feke et al. 210/748.05
5,419,877 A * 5/1995 Goforth et al. 422/177

6,071,473 A * 6/2000 Darwin 422/20
6,267,883 B1 * 7/2001 Weaver et al. 210/198.1
7,101,485 B2 * 9/2006 Dubruque et al. 210/748.05
D678,981 S * 3/2013 Shengyong D23/233

* cited by examiner

Primary Examiner — Robin V Webster

(74) *Attorney, Agent, or Firm* — Richard M. Klein; Fay
Sharpe LLP

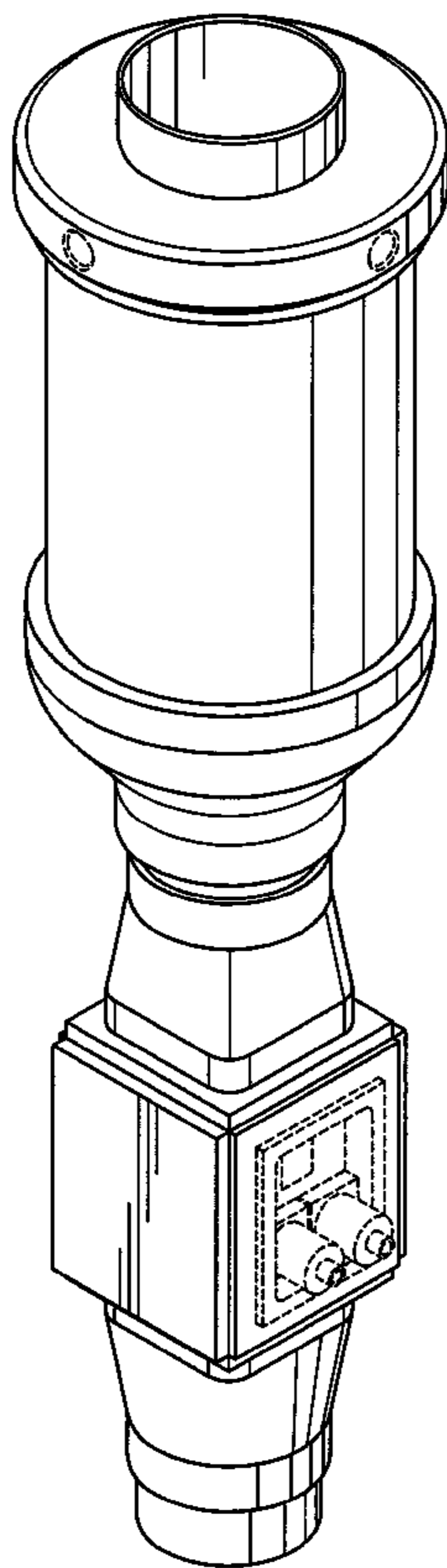
(57) **CLAIM**

The ornamental design for an acoustic separator, as shown
and described.

DESCRIPTION

FIG. 1 is a front top perspective view.
FIG. 2 is a front bottom perspective view.
FIG. 3 is a right side view.
FIG. 4 is a front view.
FIG. 5 is a left side view.
FIG. 6 is a rear view.
FIG. 7 is a top view.
FIG. 8 is a bottom view; and,
FIG. 9 is a left side cross-sectional view.
The broken lines of FIGS. 1-9 illustrate portions of the article
and form no part of the claimed design.

1 Claim, 6 Drawing Sheets



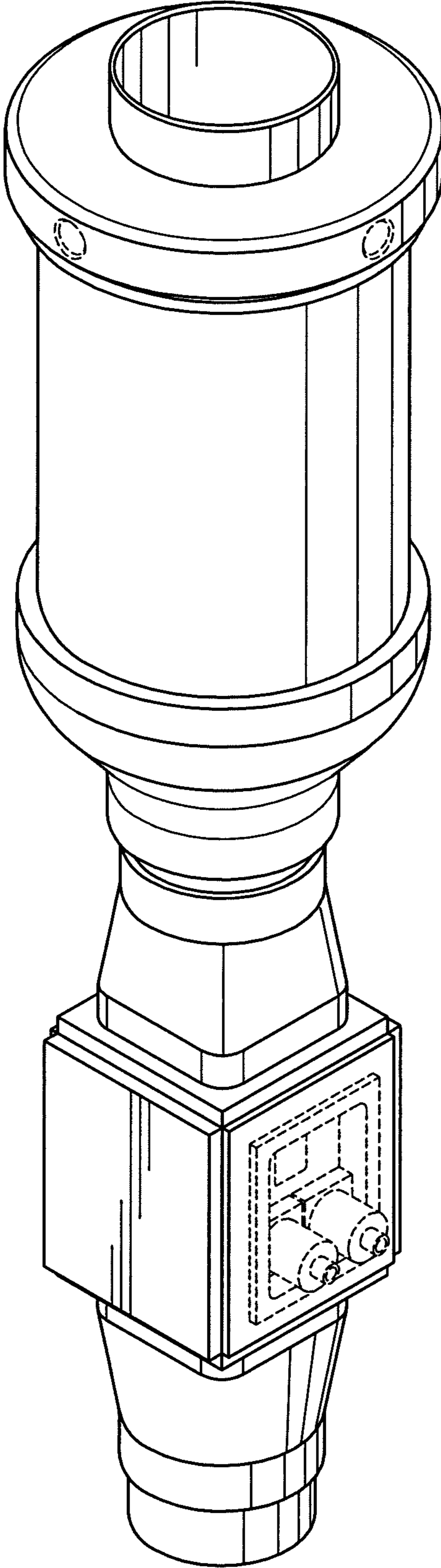
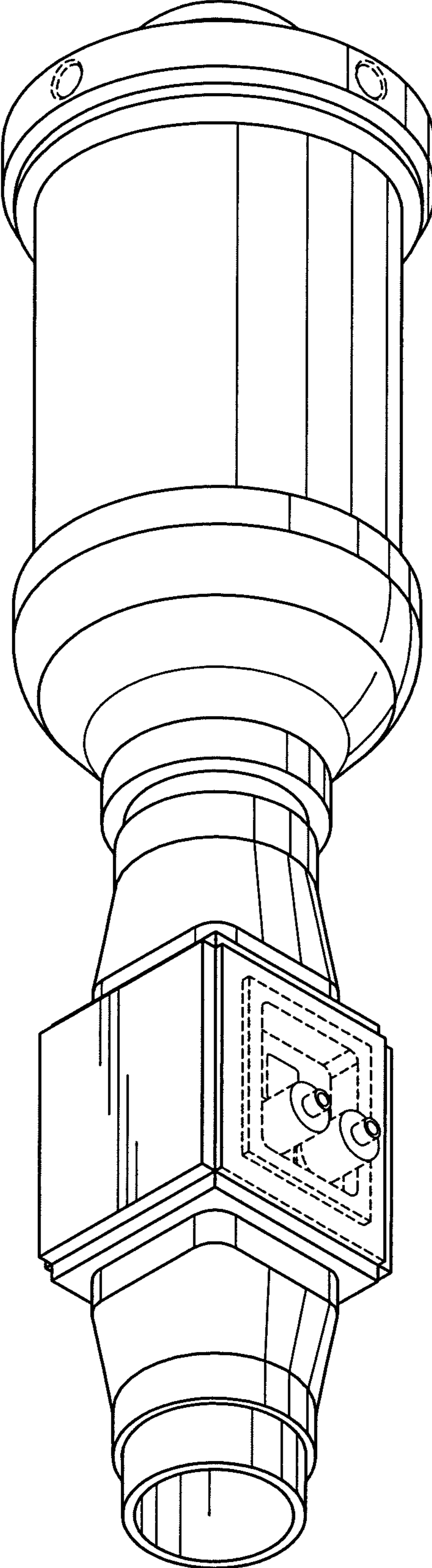


FIG. 1

FIG. 2



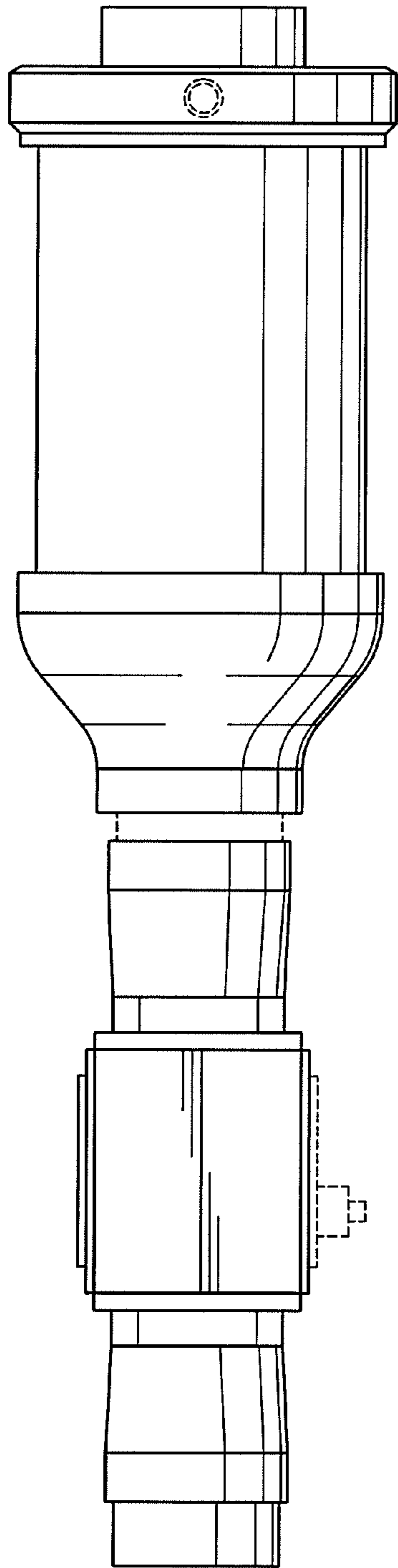


FIG. 3

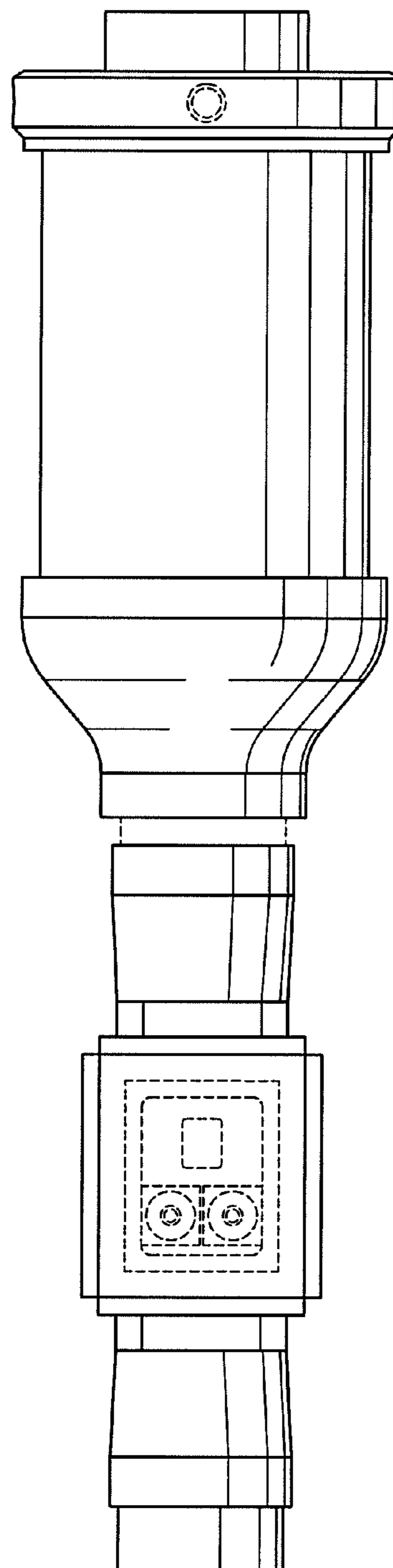


FIG. 4

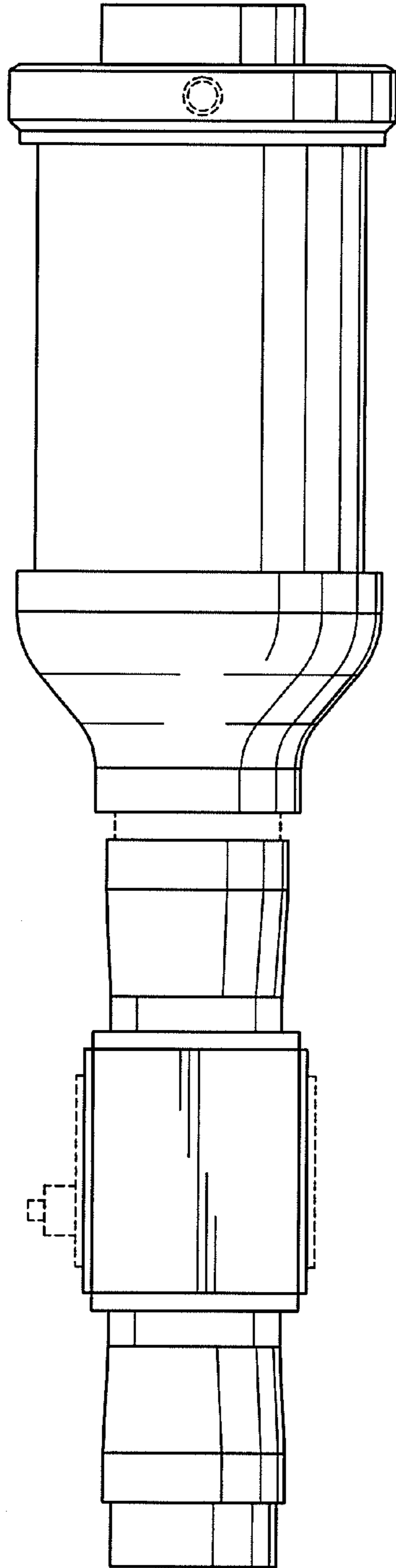


FIG. 5

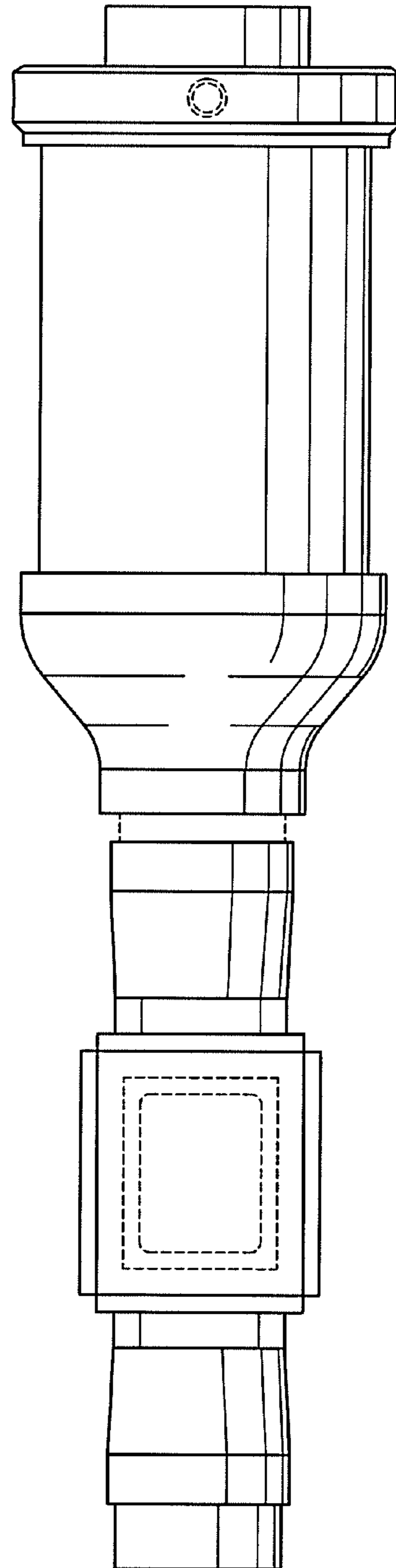


FIG. 6

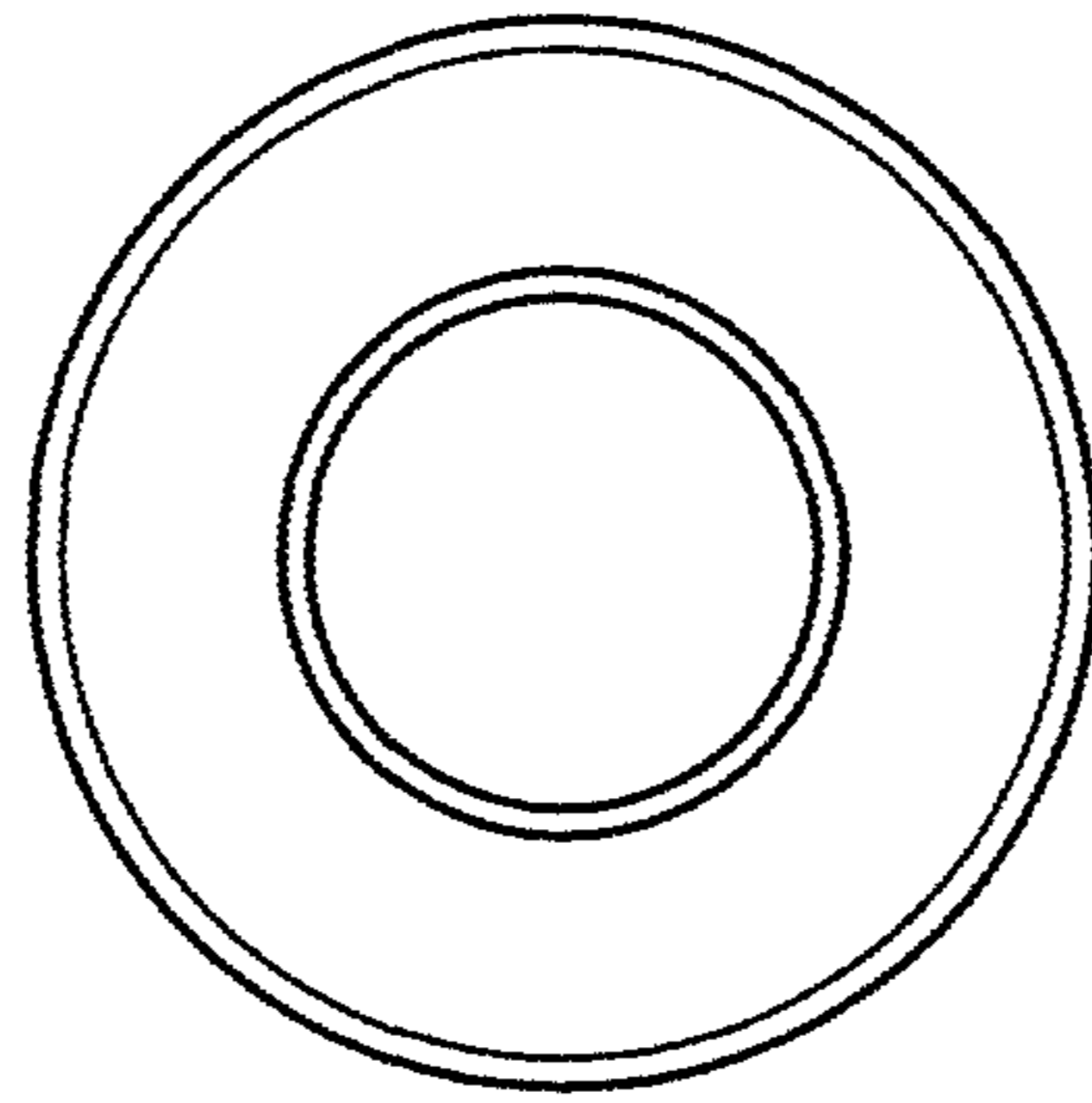


FIG. 7

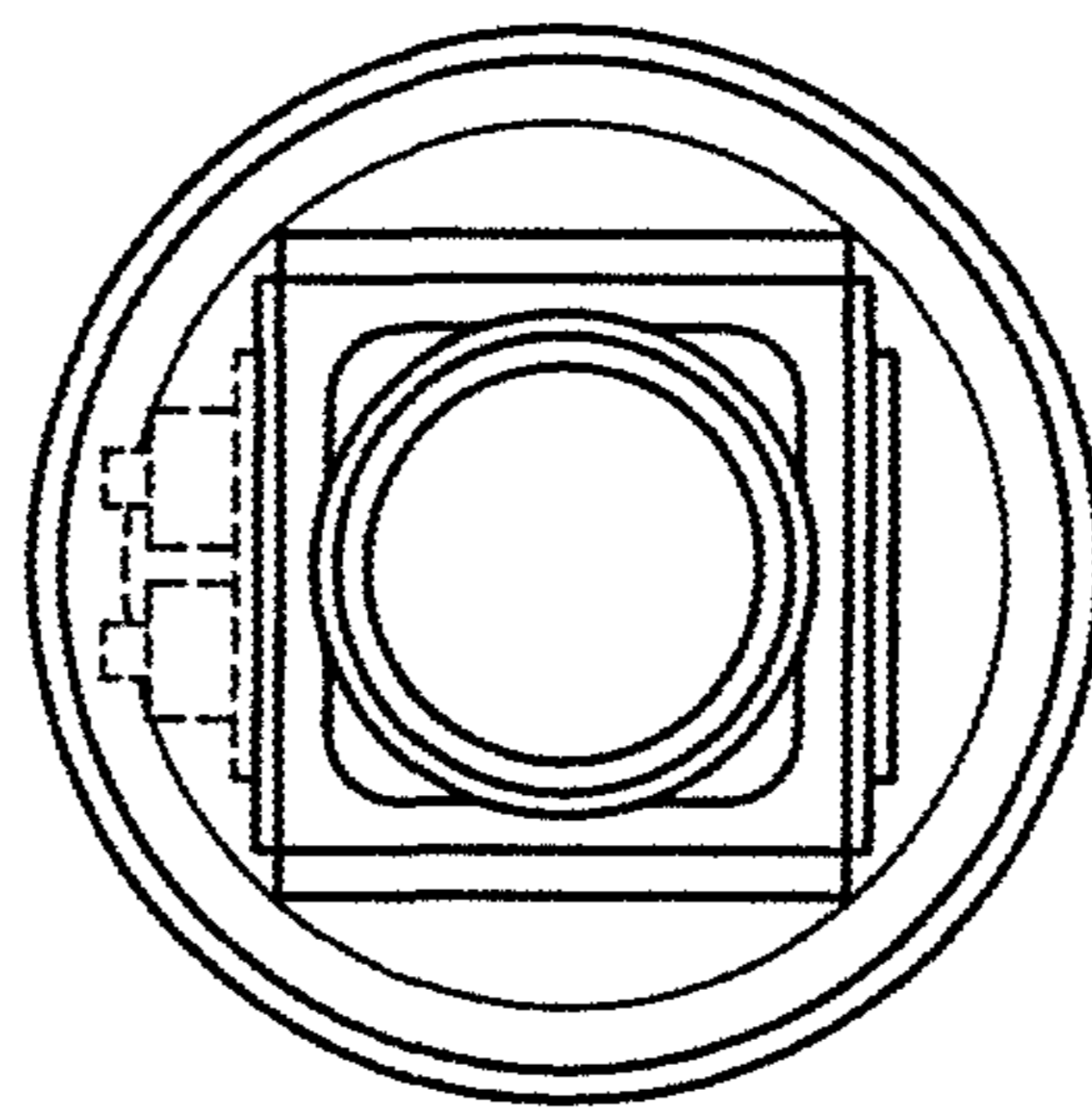


FIG. 8

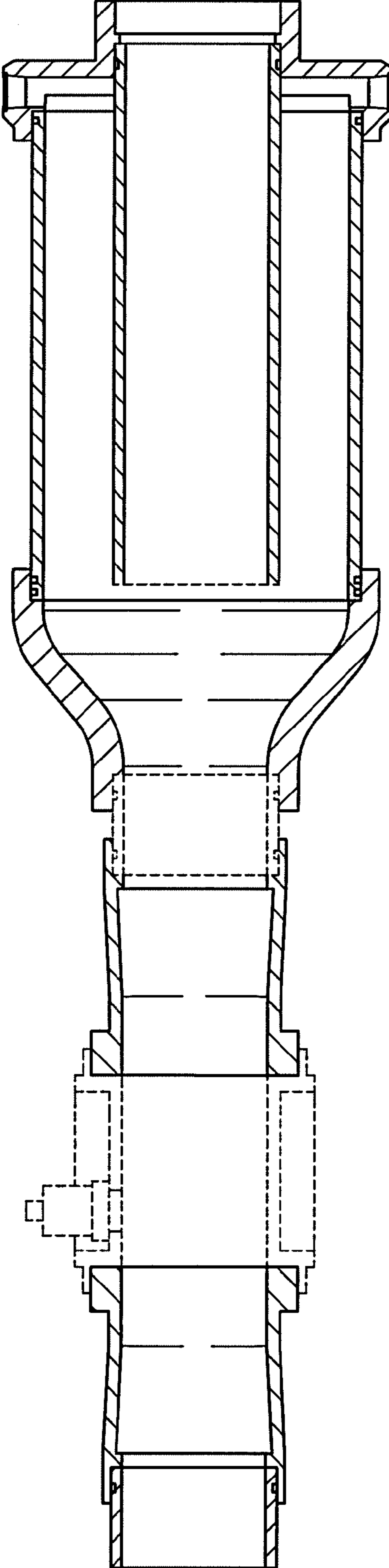


FIG. 9

UNITED STATES PATENT AND TRADEMARK OFFICE
CERTIFICATE OF CORRECTION

PATENT NO. : D722,674 S
APPLICATION NO. : 29/459244
DATED : February 17, 2015
INVENTOR(S) : Bart Lipkens, Walter M. Presz, Jr. and Jason Dionne

Page 1 of 1

It is certified that error appears in the above-identified patent and that said Letters Patent is hereby corrected as shown below:

On the Title page, item (72) Inventors:

Should read:

--Bart Lipkens, Hampden, MA (US)
Walter M. Presz JR., Wilbraham, MA (US)
Jason Dionne, Simsbury, CT (US)--.

Signed and Sealed this
Thirty-first Day of May, 2016



Michelle K. Lee
Director of the United States Patent and Trademark Office