



US00D722672S

(12) **United States Design Patent**
Juarez

(10) **Patent No.:** **US D722,672 S**

(45) **Date of Patent:** **** Feb. 17, 2015**

(54) **FIREARM CHASSIS**

(71) Applicant: **Justin R. Juarez**, Middleton, ID (US)

(72) Inventor: **Justin R. Juarez**, Middleton, ID (US)

(**) Term: **14 Years**

(21) Appl. No.: **29/471,834**

(22) Filed: **Nov. 5, 2013**

(51) **LOC (10) Cl.** **22-01**

(52) **U.S. Cl.**
USPC **D22/108**

(58) **Field of Classification Search**
CPC F41C 7/00; F41C 7/11; F41C 7/12
USPC D22/100, 101, 103, 104, 108, 199;
D21/572-575; 42/51, 71.01, 75.01,
42/75.02, 90, 94, 134, 136, 139, 125, 72,
42/111; 89/40.06, 41.19, 37.04, 33.04,
89/191.01, 200-204; 124/67, 66, 72, 74
See application file for complete search history.

(56) **References Cited**

U.S. PATENT DOCUMENTS

7,802,392 B2 *	9/2010	Peterson et al.	42/75.03
D682,973 S *	5/2013	KasanJian-King	D22/108
D704,294 S *	5/2014	Jarboe	D22/108
2011/0314717 A1 *	12/2011	Barrett	42/75.03

* cited by examiner

Primary Examiner — Michael A Pratt

(74) *Attorney, Agent, or Firm* — Geoffrey E. Dobbin;
Dobbin IP Law P.C.

(57) **CLAIM**

The ornamental design for a firearm chassis, as shown and described.

DESCRIPTION

FIG. 1 is a top front perspective view of the claimed firearm chassis.

FIG. 2 is a top rear perspective view of the firearm chassis of FIG. 1.

FIG. 3 is a bottom front perspective view of the firearm chassis of FIG. 1.

FIG. 4 is a close-up view of the firearm chassis of FIG. 3, taken in circle A.

FIG. 5 is a right elevation view of the firearm chassis of FIG. 1.

FIG. 6 is a left elevation view of the firearm chassis of FIG. 1.

FIG. 7 is a top plan view of the firearm chassis of FIG. 1.

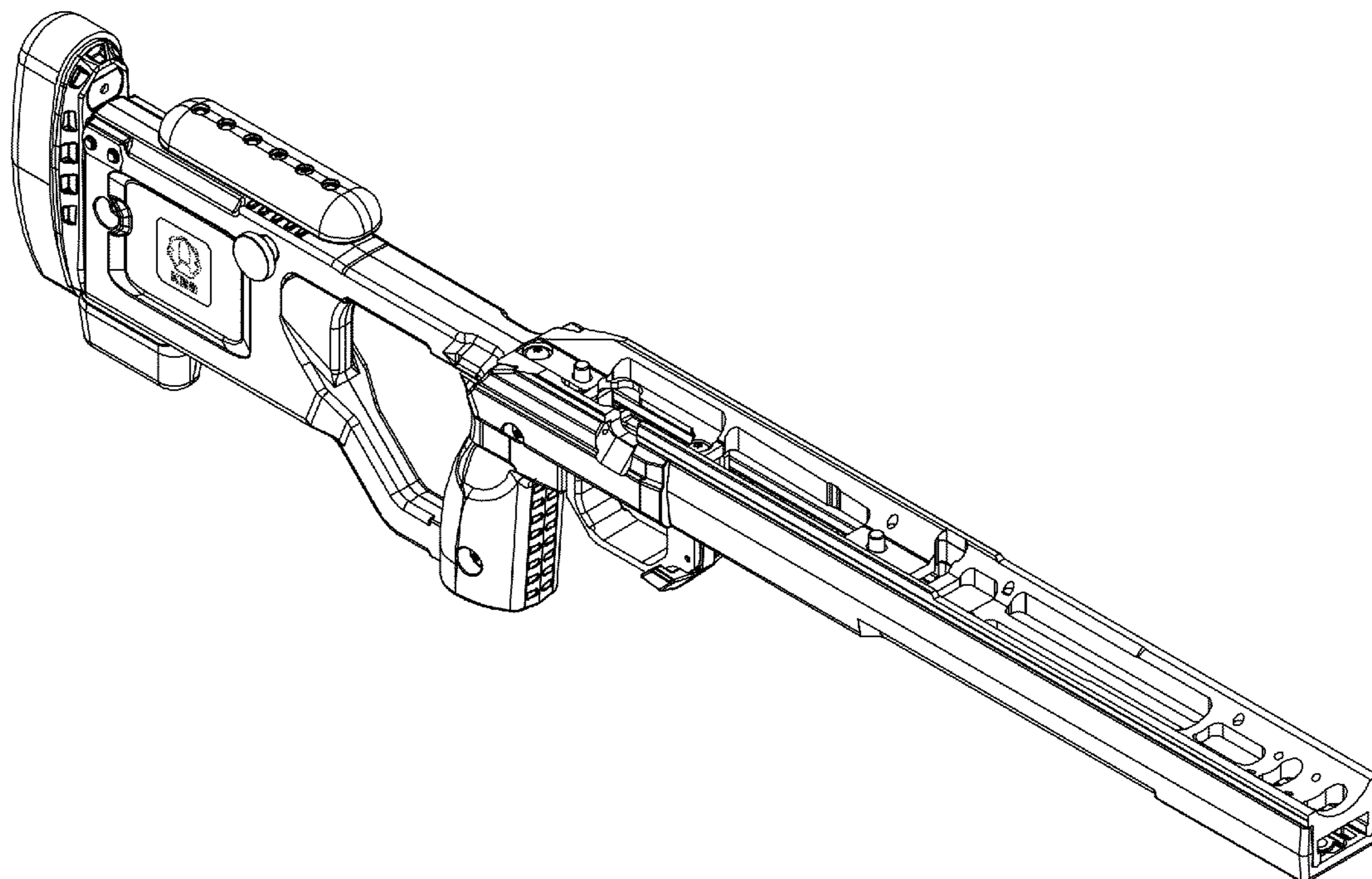
FIG. 8 is a bottom plan view of the firearm chassis of FIG. 1.

FIG. 9 is a front elevation view of the firearm chassis of FIG. 1; and,

FIG. 10 is a rear elevation view of the firearm chassis of FIG. 1.

The broken lines in FIGS. 1-6 depict a logo and are illustrative of environment and not intended to form a part of the claimed design.

1 Claim, 6 Drawing Sheets



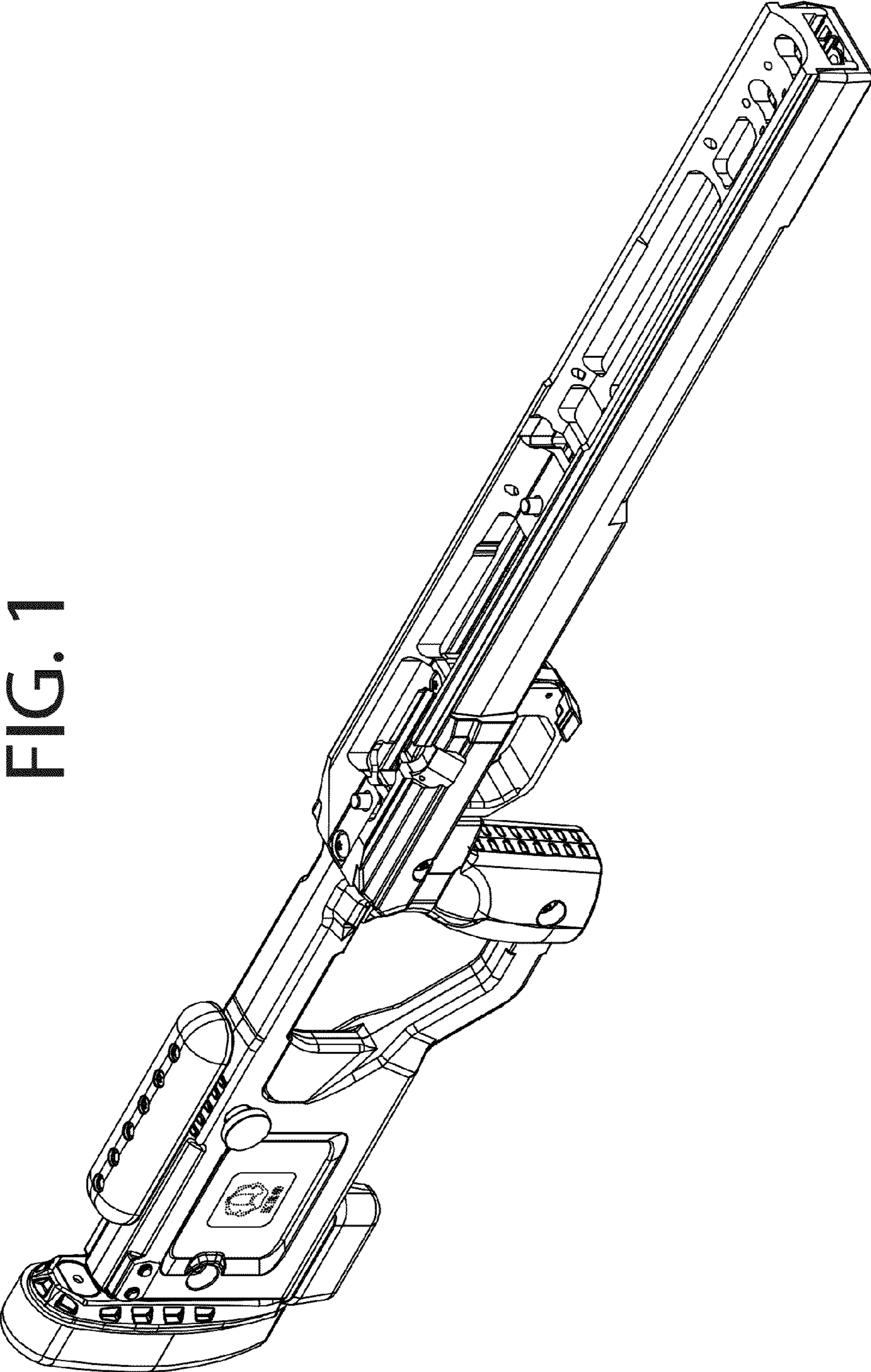


FIG. 1

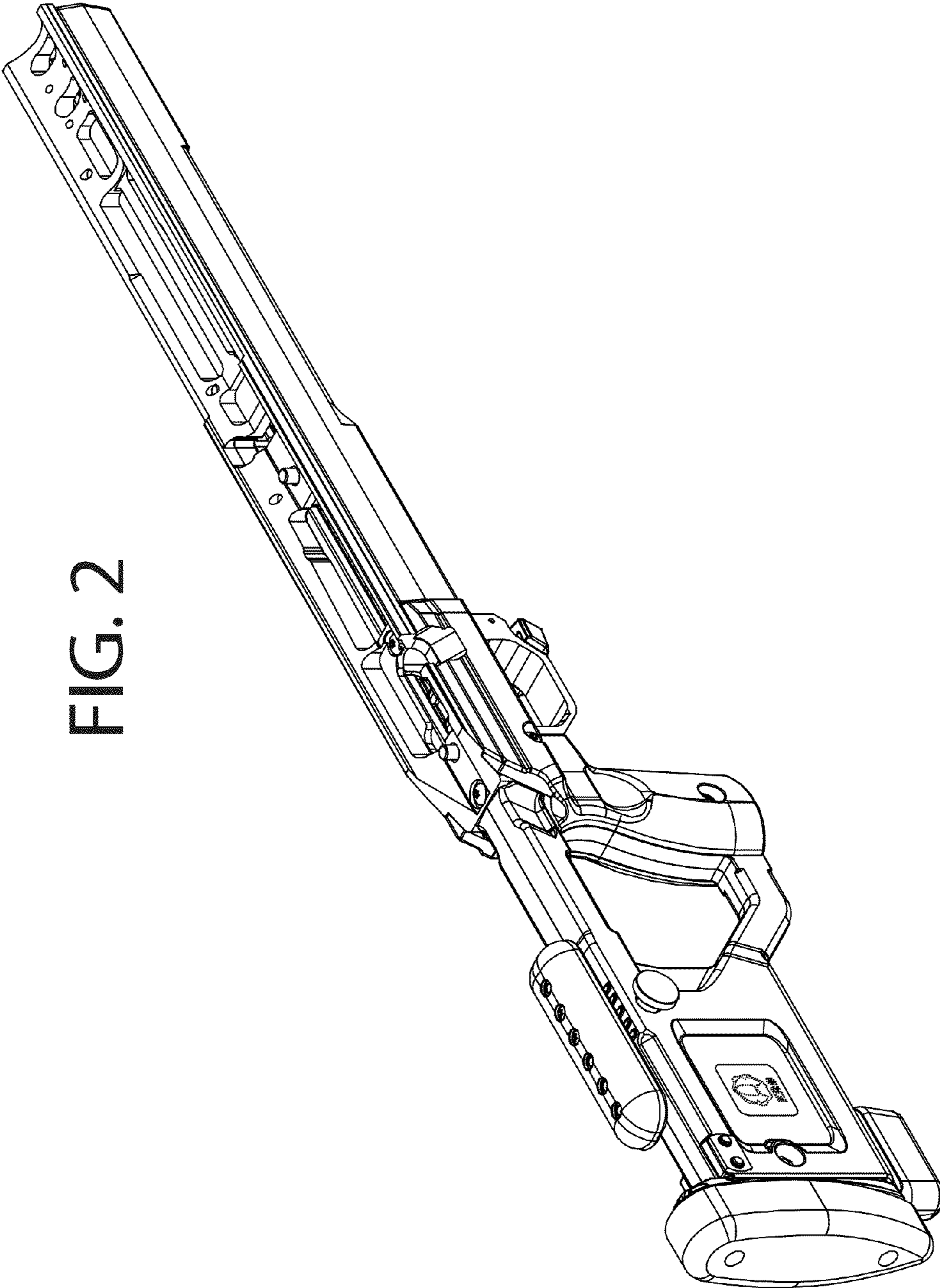
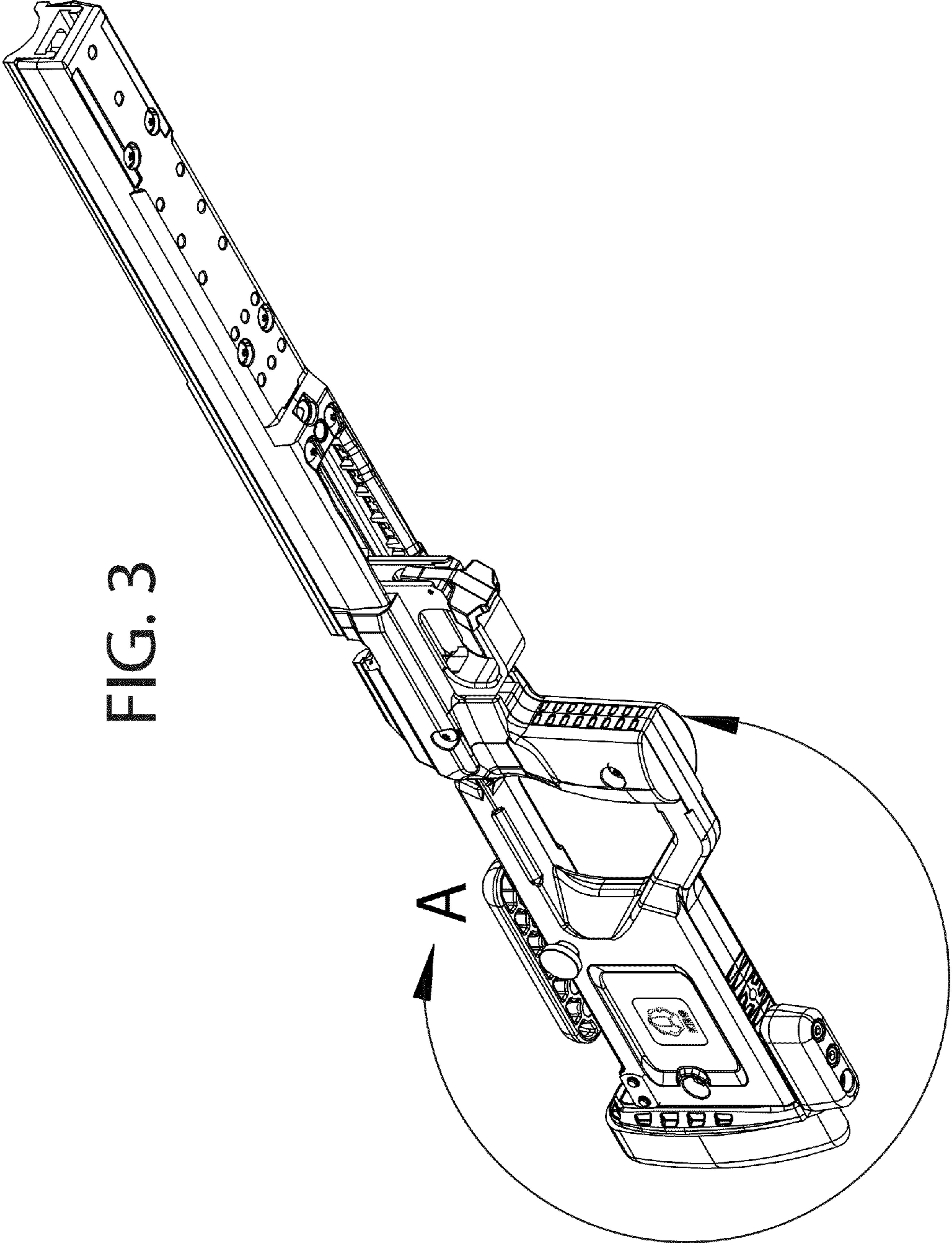


FIG. 2



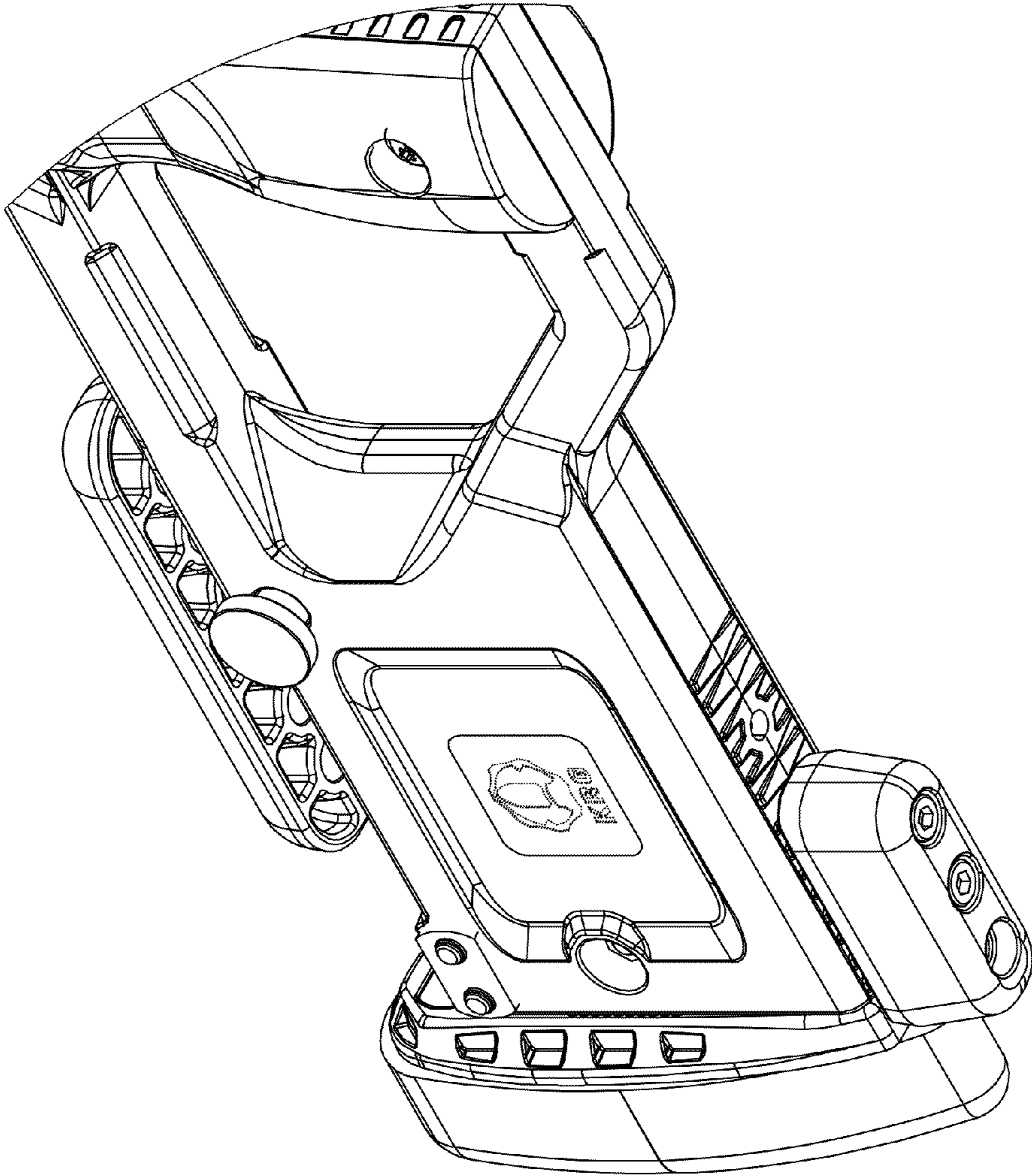


FIG. 4

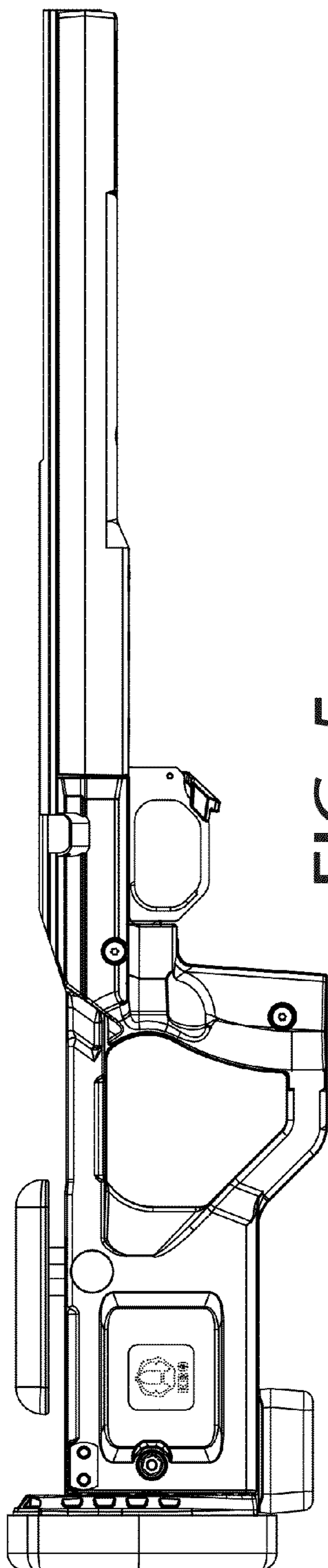


FIG. 5

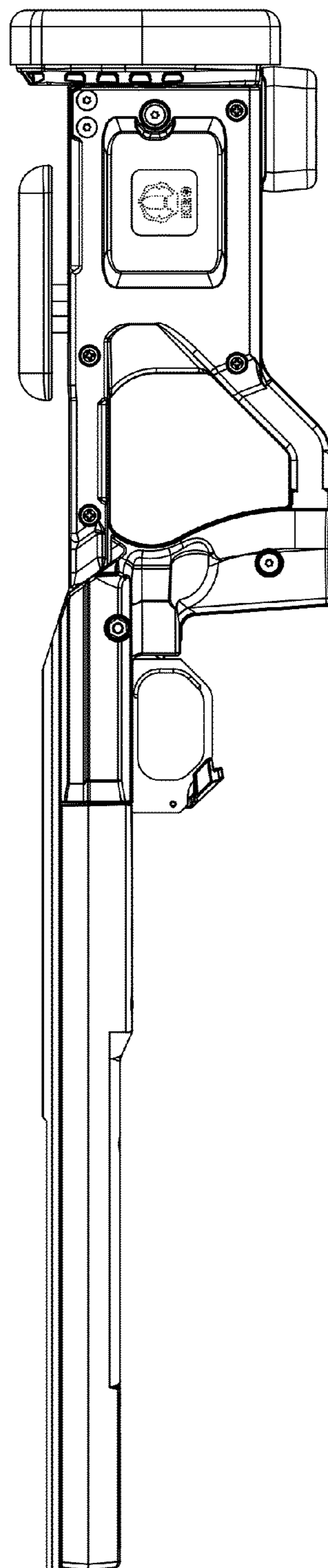


FIG. 6

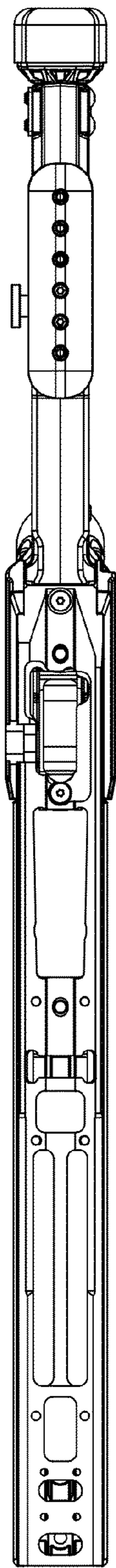


FIG. 7

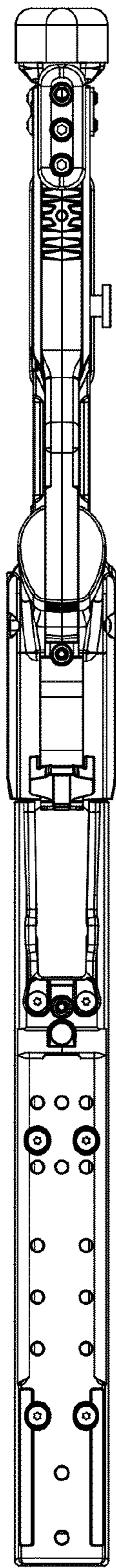


FIG. 8

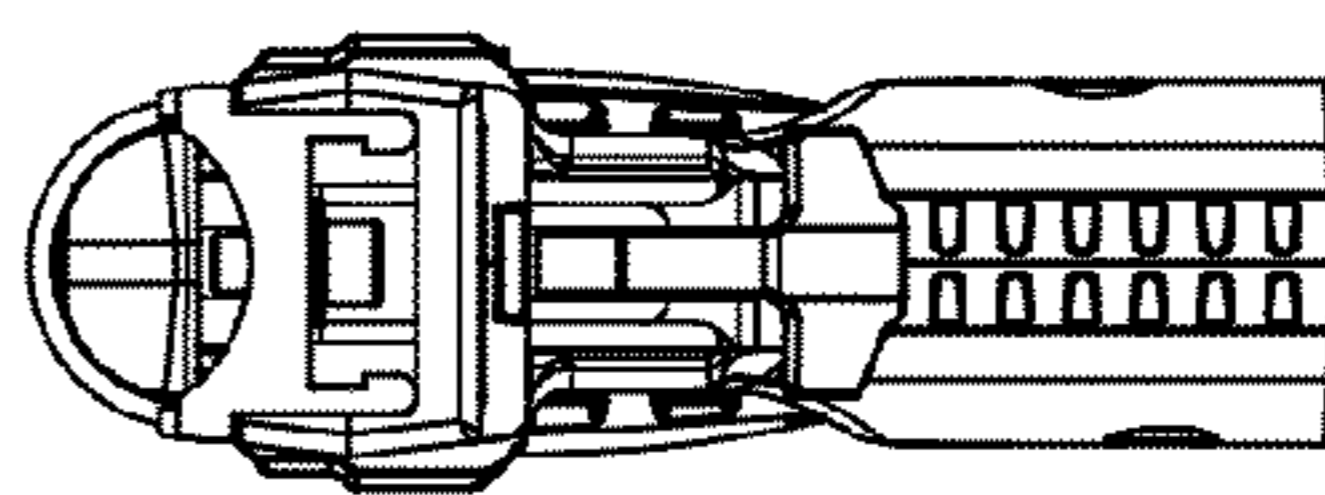


FIG. 9

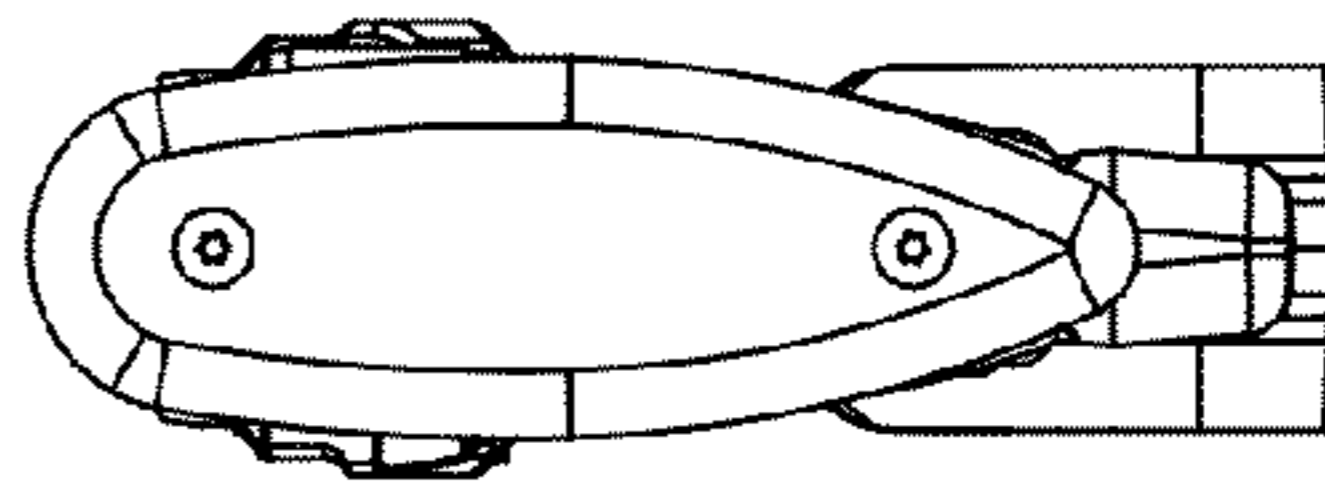


FIG. 10