



US00D722671S

(12) **United States Design Patent**
Mayberry et al.

(10) **Patent No.:** **US D722,671 S**
(45) **Date of Patent:** **** Feb. 17, 2015**

(54) **STOCK**

(71) Applicant: **Magpul Industries Corporation**

(72) Inventors: **Michael T. Mayberry**, Denver, CO (US); **Richard Fitzpatrick**, Longmont, CO (US); **Grady Barfoot**, Denver, CO (US); **Nick Kielsmeier**, Thornton, CO (US); **Brian Nakayama**, Arvada, CO (US); **Brad Bennett**, Lafayette, CO (US); **Sean William Flickinger**, Lakewood, CO (US)

(73) Assignee: **Magpul Industries Corporation**, Erie, CO (US)

(**) Term: **14 Years**

(21) Appl. No.: **29/469,062**

(22) Filed: **Oct. 7, 2013**

Related U.S. Application Data

(63) Continuation of application No. 29/403,627, filed on Oct. 7, 2011, now Pat. No. Des. 695,377.

(51) **LOC (10) Cl.** **22-01**

(52) **U.S. Cl.**
USPC **D22/108**

(58) **Field of Classification Search**

CPC F41C 23/00; F41C 23/02; F41C 23/04; F41C 23/06; F41C 23/08; F41C 23/10; F41C 23/12; F41C 23/14; F41C 23/16; F41C 23/18; F41C 23/20; F41C 23/22; F41C 7/02; F41C 7/04; F41C 7/06; F41C 7/11; F41C 7/12
USPC D22/103, 108; D21/572, 573; 42/51, 42/90, 71.01, 71.02, 73, 75.01, 75.02; 362/160; 89/40.06, 37.04, 33.04; 33/334

See application file for complete search history.

(56) **References Cited**

U.S. PATENT DOCUMENTS

1,032,628 A 7/1912 Sherman
1,651,299 A 11/1927 Stansel
3,618,249 A 11/1971 Grandy
3,710,496 A 1/1973 Packmayr

(Continued)

OTHER PUBLICATIONS

Command Arms Accessories Online Catalog (2008) SRS Product Information.

(Continued)

Primary Examiner — Michael A Pratt

(74) *Attorney, Agent, or Firm* — Swanson & Bratschun, L.L.C.

(57) **CLAIM**

We claim the ornamental design for a stock, as shown and described.

DESCRIPTION

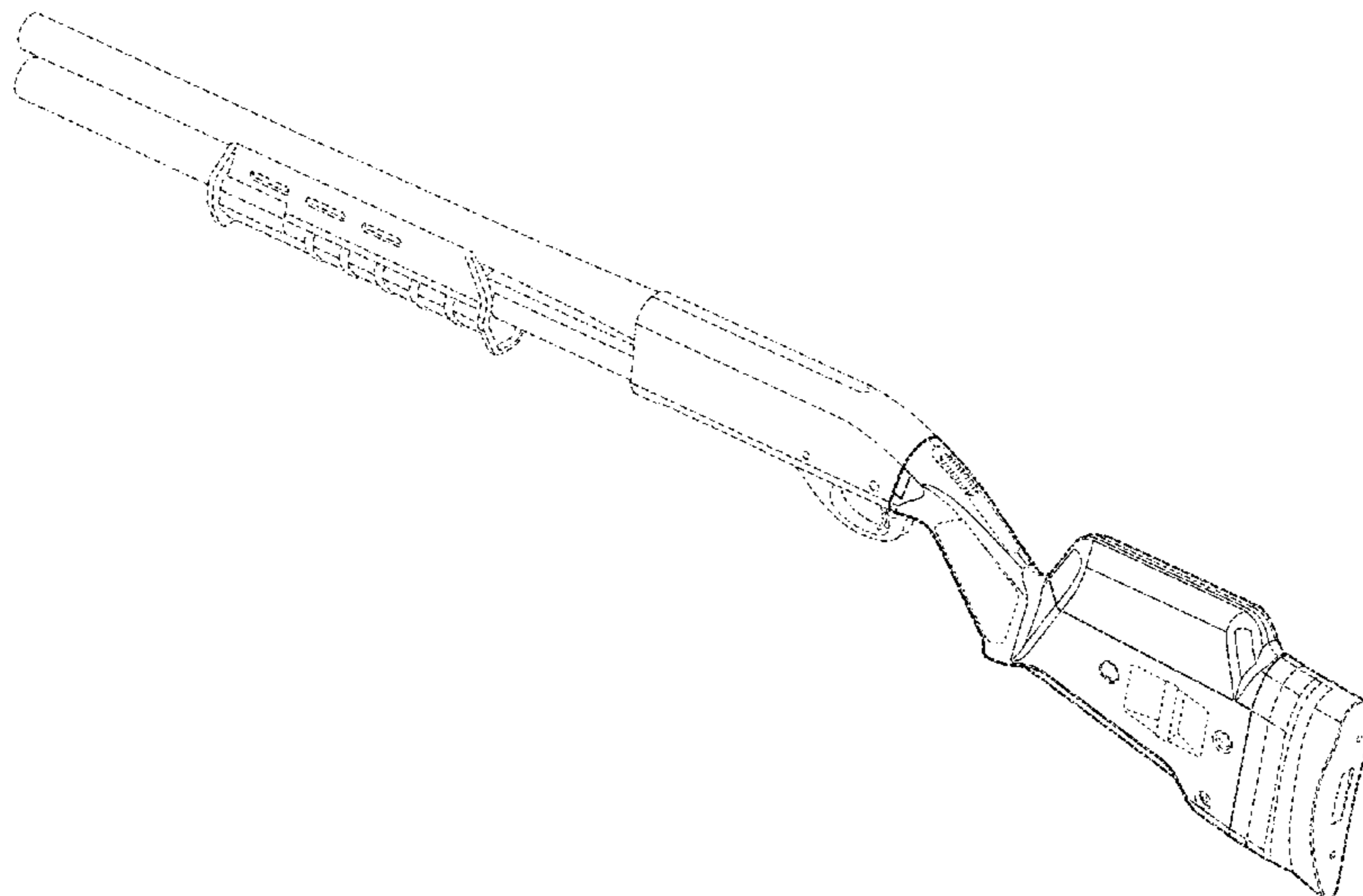
FIG. 1 is a left, rear, top perspective view of a stock attached to a firearm showing our new design;

FIG. 2 is a left, rear, top perspective view of a first alternative embodiment of the stock depicted in FIG. 1 the only difference being the height that the cheek rest extends above the butt pad shown in broken lines is less than the first embodiment, it being understood that all other surfaces are the same as those of the first embodiment; and,

FIG. 3 is a left, rear, top perspective view of a second alternative embodiment of the stock depicted in FIG. 1 the only difference being the height that the cheek rest extends above the butt pad shown in broken lines is greater than the first embodiment, it being understood that all other surfaces are the same as those of the first embodiment.

The broken lines showing portions of the design in all figures are included for the purpose of illustrating environment and unclaimed features and forms not part of the claimed design.

1 Claim, 3 Drawing Sheets



(56)

References Cited

U.S. PATENT DOCUMENTS

D241,836 S 10/1976 Ruger
 4,120,108 A 10/1978 Vickers
 4,122,623 A 10/1978 Stice
 4,203,243 A 5/1980 Hickman
 4,589,219 A 5/1986 Milliman
 4,663,877 A 5/1987 Bragg
 D297,855 S 9/1988 Ruger
 4,788,785 A 12/1988 White
 4,896,446 A 1/1990 Gregory
 5,031,348 A 7/1991 Carey
 5,075,995 A 12/1991 Kennel
 D324,557 S 3/1992 Livingston
 5,933,997 A 8/1999 Barrett
 6,598,330 B2 7/2003 Garrett
 6,637,141 B1 10/2003 Weatherby
 D514,123 S 1/2006 Naruki
 D516,660 S 3/2006 Murello et al.
 D516,807 S 3/2006 Richardson
 D517,637 S 3/2006 Murello
 7,162,823 B2 1/2007 Schoppman
 D551,313 S 9/2007 Saur
 D589,578 S 3/2009 Choma
 D603,013 S 10/2009 Fitzpatrick
 D606,614 S 12/2009 Fitzpatrick
 7,647,719 B2 * 1/2010 Fitzpatrick et al. 42/71.01
 D636,833 S 4/2011 Mayberry
 D636,834 S 4/2011 Mayberry
 D640,342 S 6/2011 Fitzpatrick
 D645,533 S 9/2011 Peterson

D661,366 S 6/2012 Zusman
 D661,768 S 6/2012 Keng
 D680,611 S 4/2013 Emde
 D683,808 S 6/2013 Elkaim
 D695,377 S 12/2013 Mayberry
 8,656,622 B2 * 2/2014 Peterson et al. 42/75.03
 D704,294 S * 5/2014 Jarboe D22/108
 8,720,099 B1 * 5/2014 Sisk 42/73
 8,844,185 B2 * 9/2014 Jarboe 42/73
 2007/0130817 A1 6/2007 Ballard
 2008/0028662 A1 2/2008 Abraham
 2008/0052979 A1 3/2008 Lee
 2008/0168695 A1 7/2008 Nakayama
 2008/0236016 A1 10/2008 Fitzpatrick
 2008/0236017 A1 10/2008 Fitzpatrick
 2009/0241397 A1 10/2009 Fitzpatrick
 2010/0205846 A1 8/2010 Fitzpatrick et al.
 2010/0251590 A1 10/2010 Fitzpatrick

OTHER PUBLICATIONS

Heckler & Koch Online Catalog (2008) PSG1A1 Product Information.
 Magpul Online Catalog (2007) FAL Preproduction Product Information.
 Magpul Online Catalog (2007) PRS Ar15/M16 Product Information.
 Design U.S. Appl. No. 29/399,326, filed Aug. 12, 2011, "ACS Rifle Stock" by Fitzpatrick.
 Design U.S. Appl. No. 29/405,857, filed Nov. 7, 2011, "STR Stock" by Fitzpatrick.

* cited by examiner

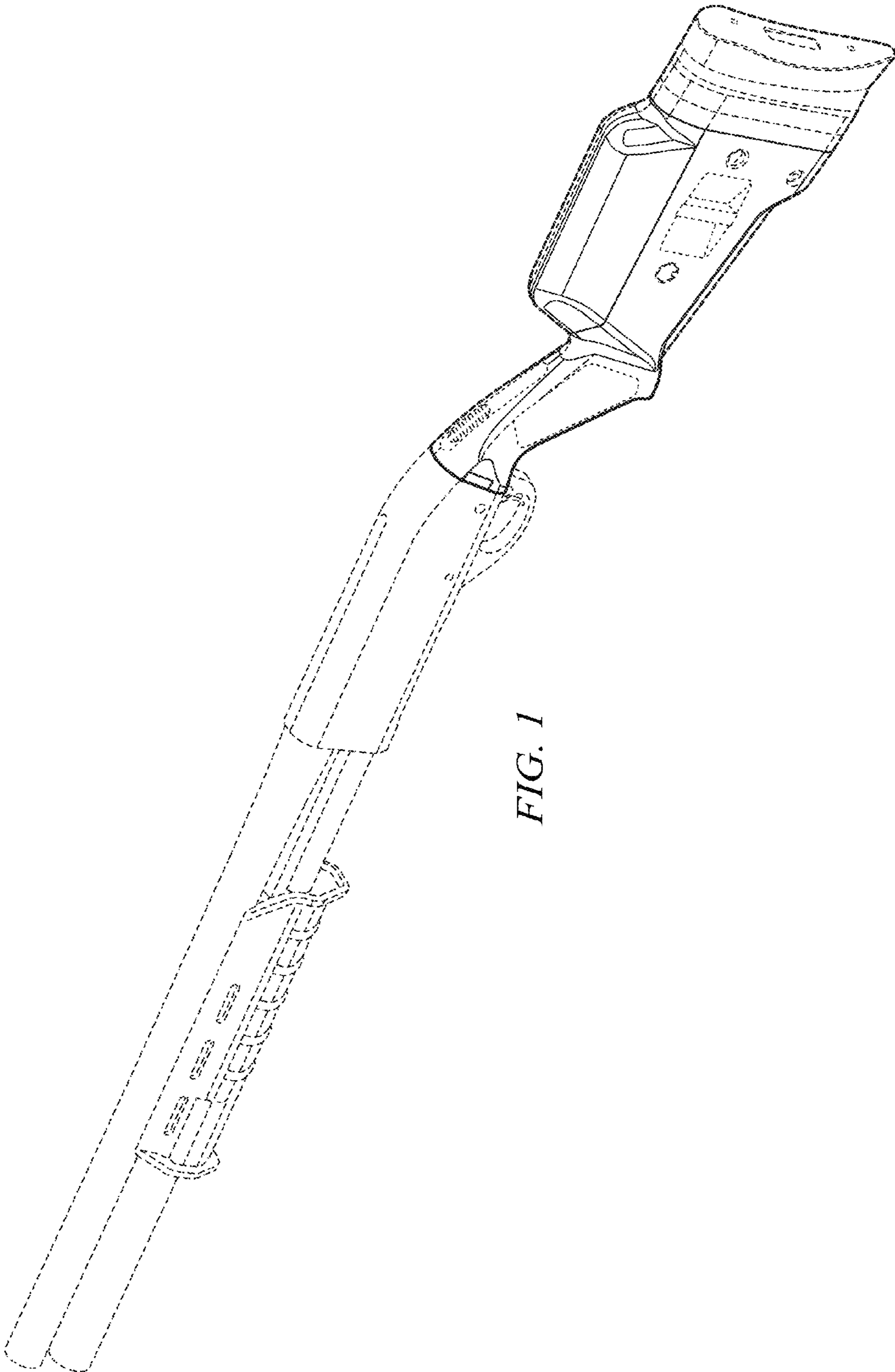


FIG. 1

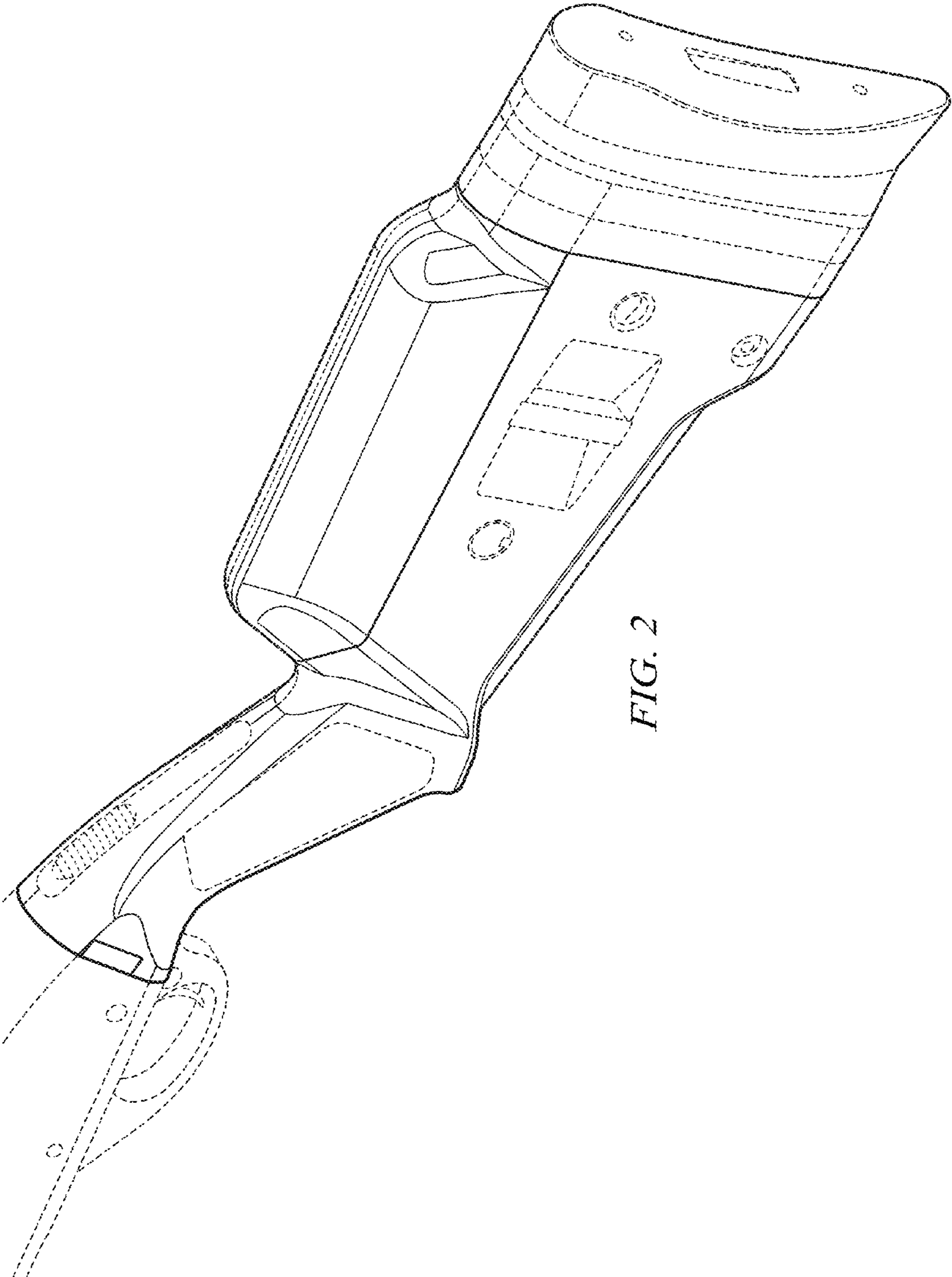


FIG. 2

