



US00D722670S

(12) **United States Design Patent**  
**Oliver**

(10) **Patent No.:** **US D722,670 S**

(45) **Date of Patent:** **\*\* Feb. 17, 2015**

(54) **FLASH HIDER**

(71) Applicant: **Russell Oliver**, Draper, UT (US)

(72) Inventor: **Russell Oliver**, Draper, UT (US)

(\*\*) Term: **14 Years**

(21) Appl. No.: **29/465,256**

(22) Filed: **Aug. 26, 2013**

(51) **LOC (10) Cl.** ..... **22-01**

(52) **U.S. Cl.**  
USPC ..... **D22/108**

(58) **Field of Classification Search**

CPC ..... F41A 21/02; F41A 21/08; F41A 21/48;  
F41A 21/481; F41A 21/482; F41A 21/484;  
F41A 21/485; F41A 21/487; F41A 21/488;  
F41A 21/32; F41A 21/325; F41A 21/34;  
F41A 21/36; F41A 21/38; F41A 21/40;  
F41A 21/42  
USPC ..... D22/103, 108; 42/1.06, 107,  
42/76.02-76.1; 89/14.1-14.8, 14.05, 177;  
181/223

See application file for complete search history.

(56) **References Cited**

**U.S. PATENT DOCUMENTS**

D657,012 S \* 4/2012 Woodell ..... D22/108  
D685,874 S \* 7/2013 Andrews et al. .... D22/108

\* cited by examiner

*Primary Examiner* — Michael A Pratt

(74) *Attorney, Agent, or Firm* — Thorpe North & Western LLP

(57) **CLAIM**

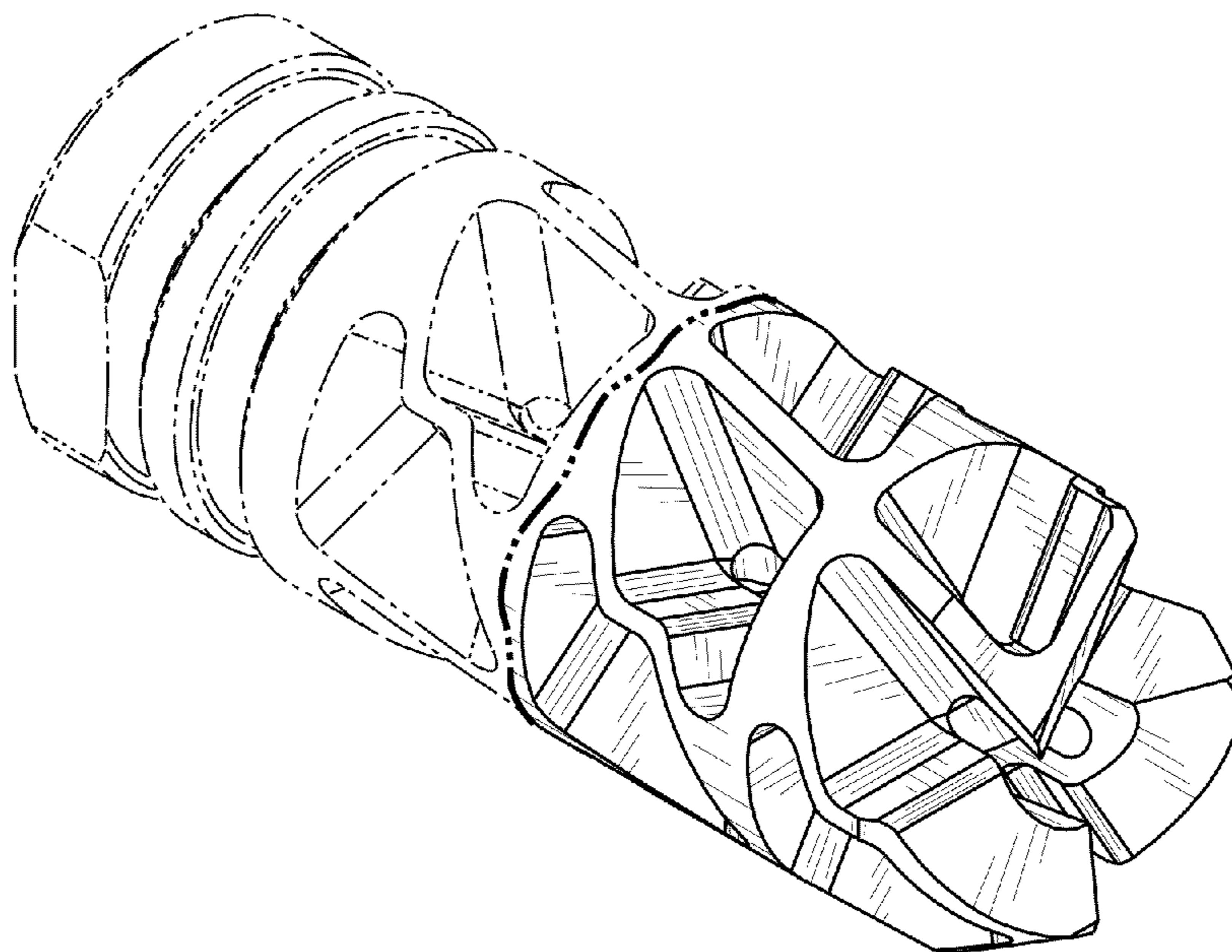
The ornamental design for a flash hider, as shown and described herein.

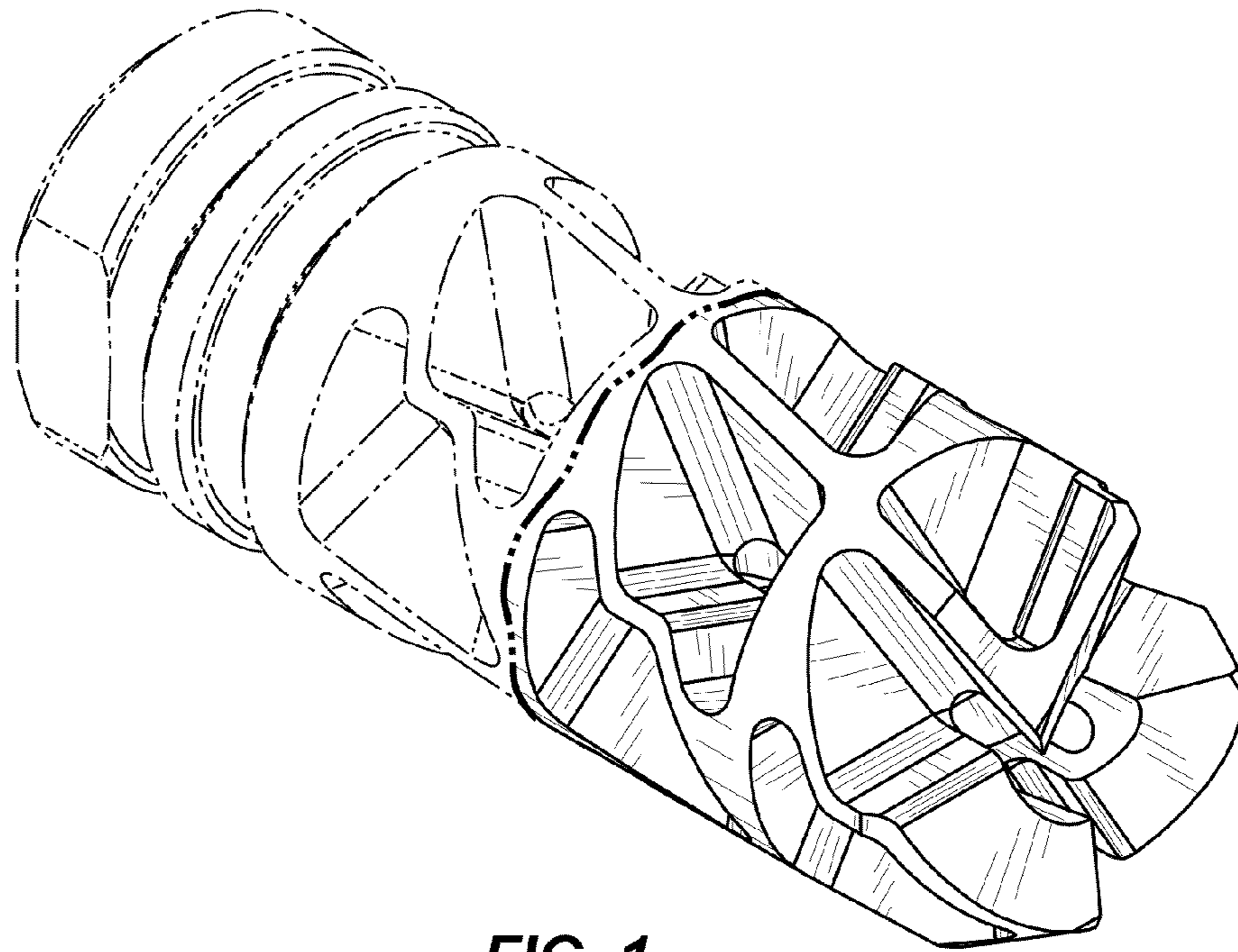
**DESCRIPTION**

FIG. 1 is a perspective front view of the flash hider, taken from a top-left angle in accordance with my invention;  
FIG. 2 is a perspective front view thereof, taken from a bottom-left angle of FIG. 1;  
FIG. 3 is a perspective front view thereof, taken from a top-right angle of FIG. 1;  
FIG. 4 is a perspective front view thereof, taken from a bottom-right angle of FIG. 1;  
FIG. 5 is a left side view thereof;  
FIG. 6 is a right view thereof;  
FIG. 7 is a top view thereof;  
FIG. 8 is a bottom view thereof;  
FIG. 9 is a front view thereof; and,  
FIG. 10 is a back view thereof.

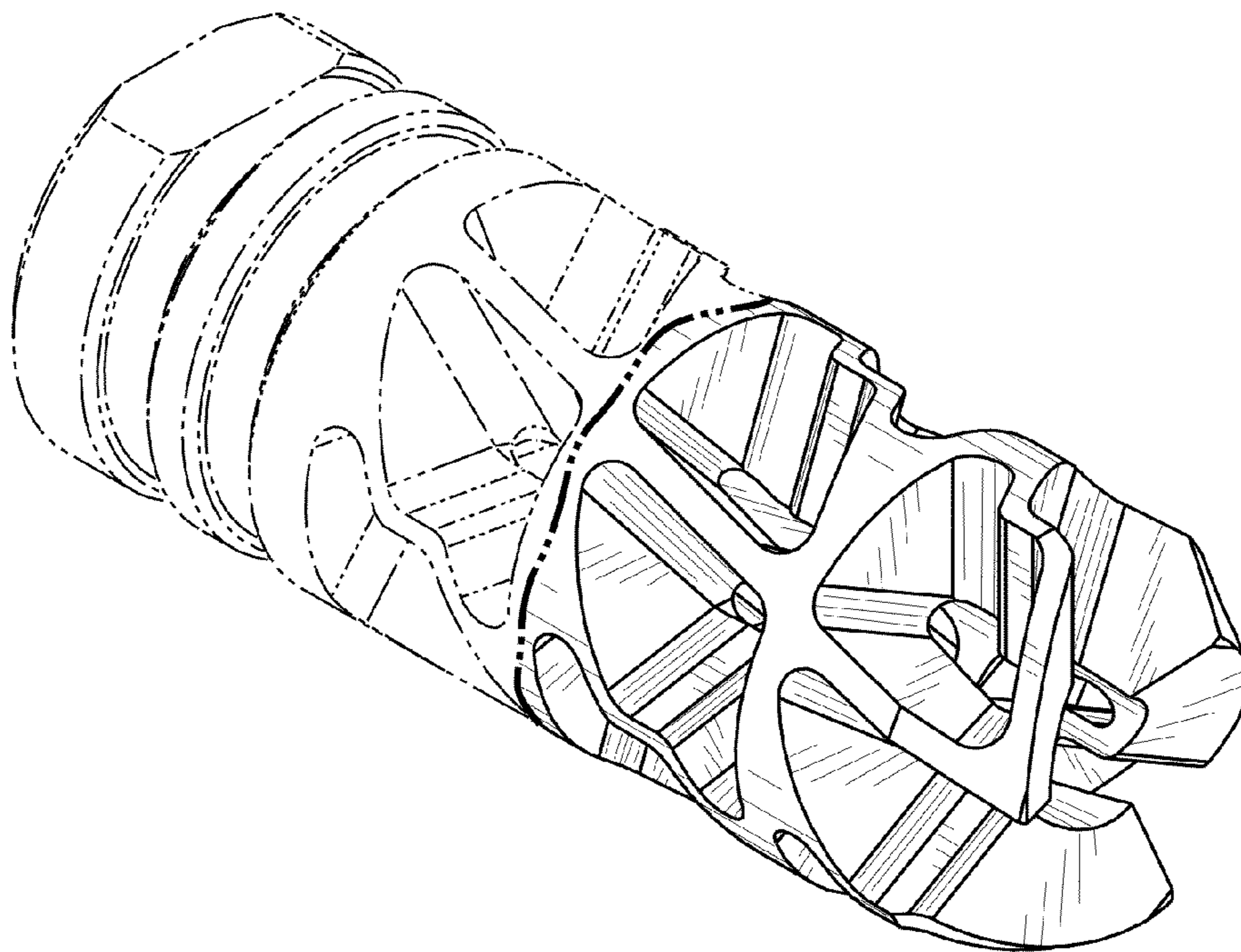
The surface indicia of parallel lines also form no part of the claimed design and are merely surface shading. Furthermore, dashed lines form no part of the claimed design.

**1 Claim, 4 Drawing Sheets**

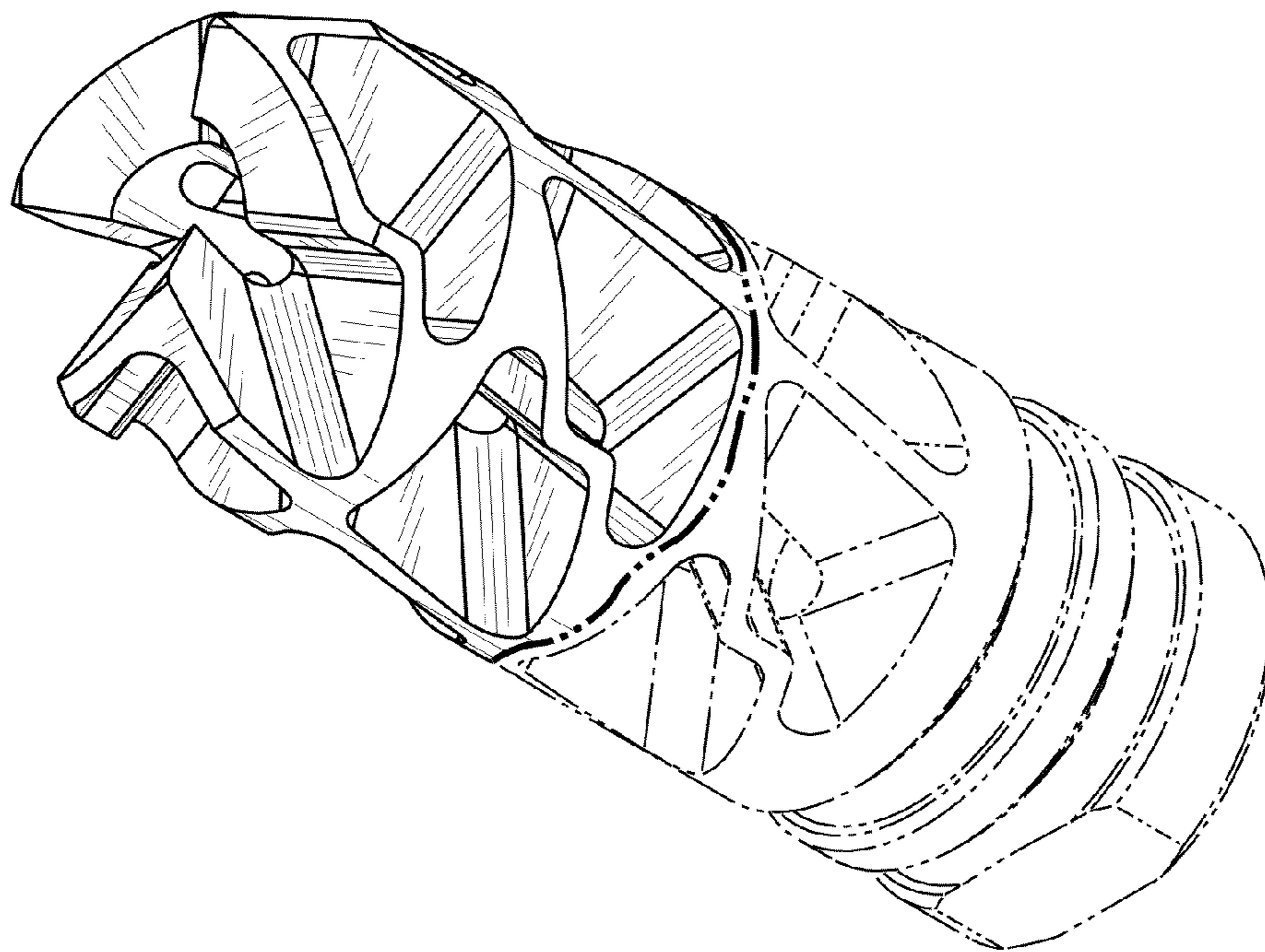




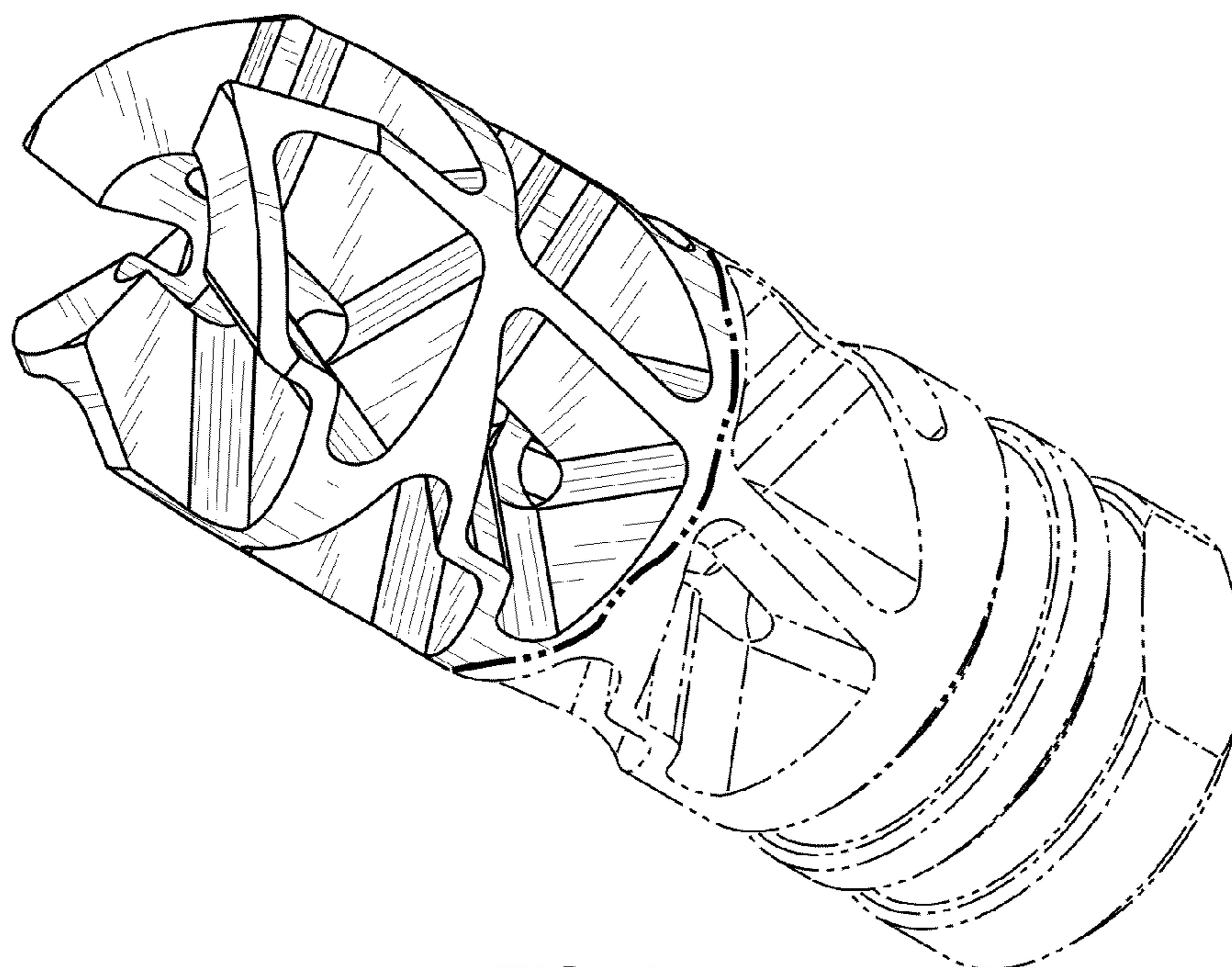
**FIG. 1**



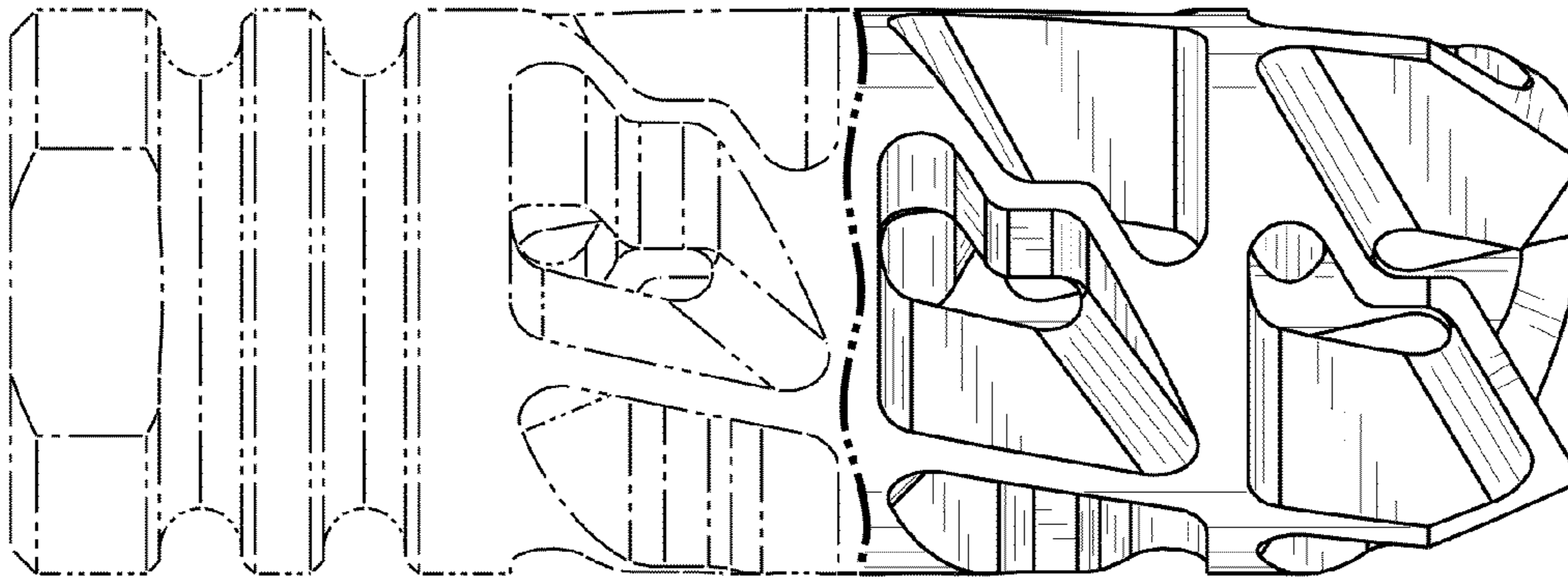
**FIG. 2**



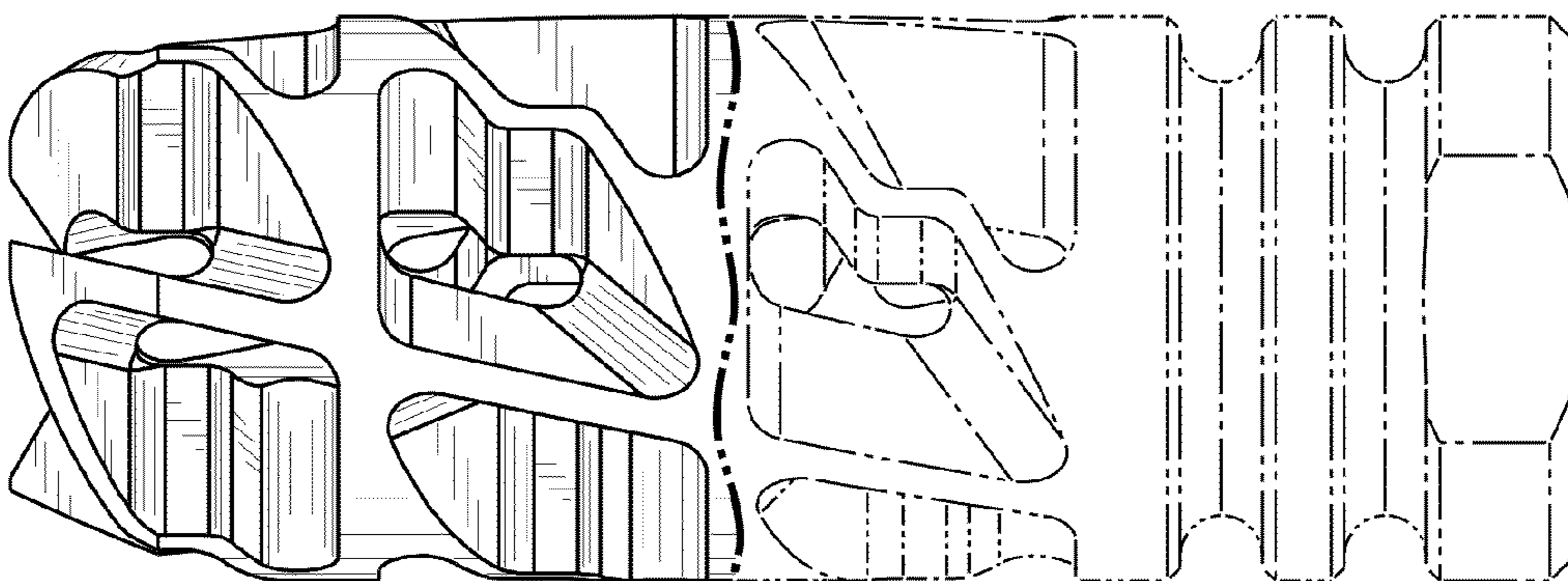
**FIG. 3**



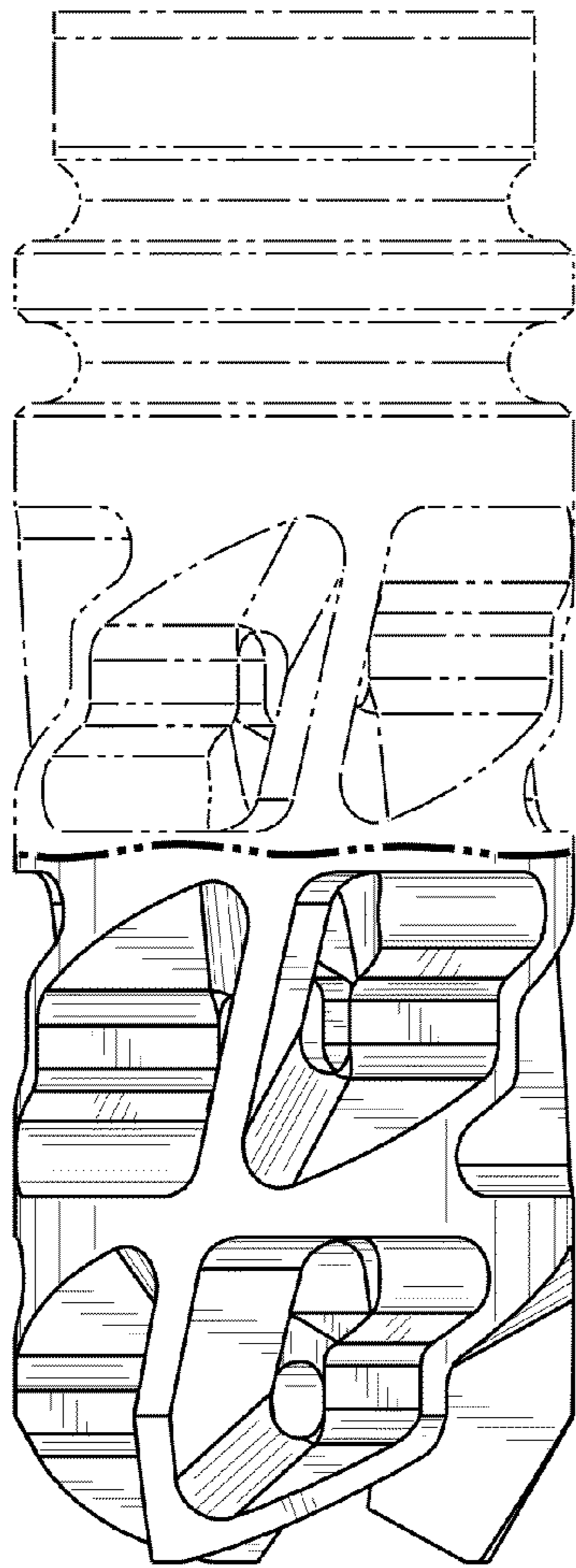
**FIG. 4**



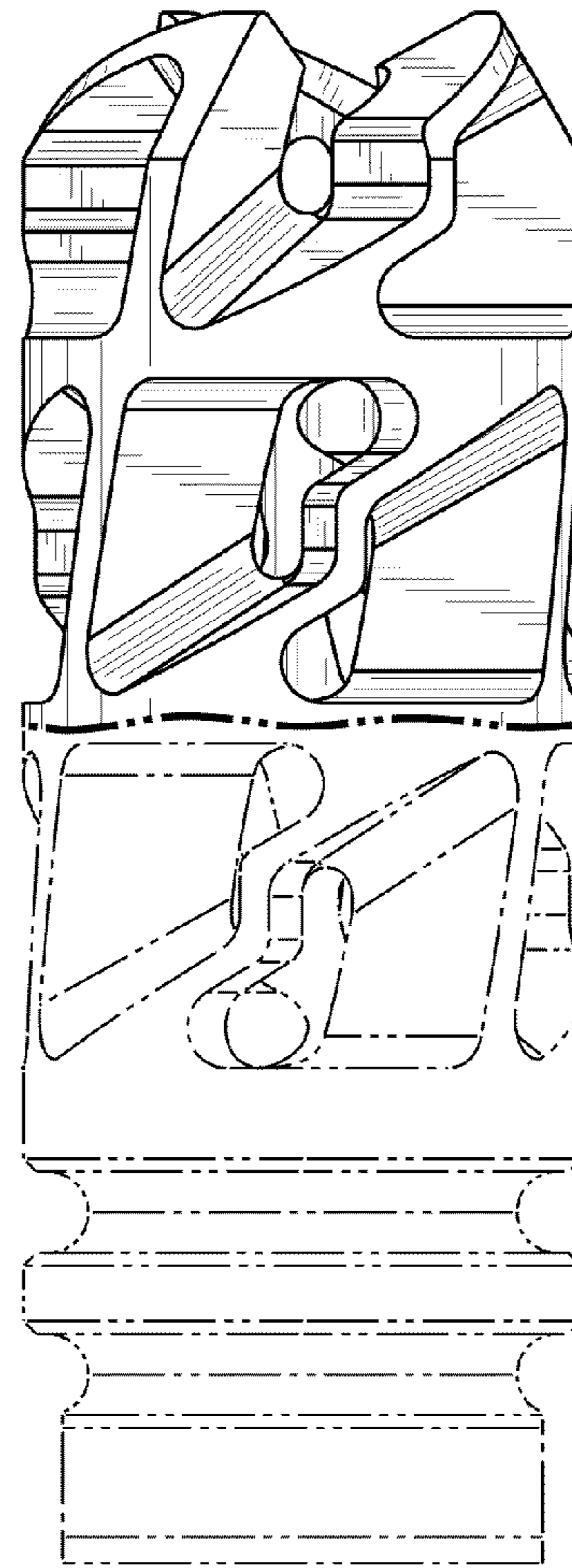
**FIG. 5**



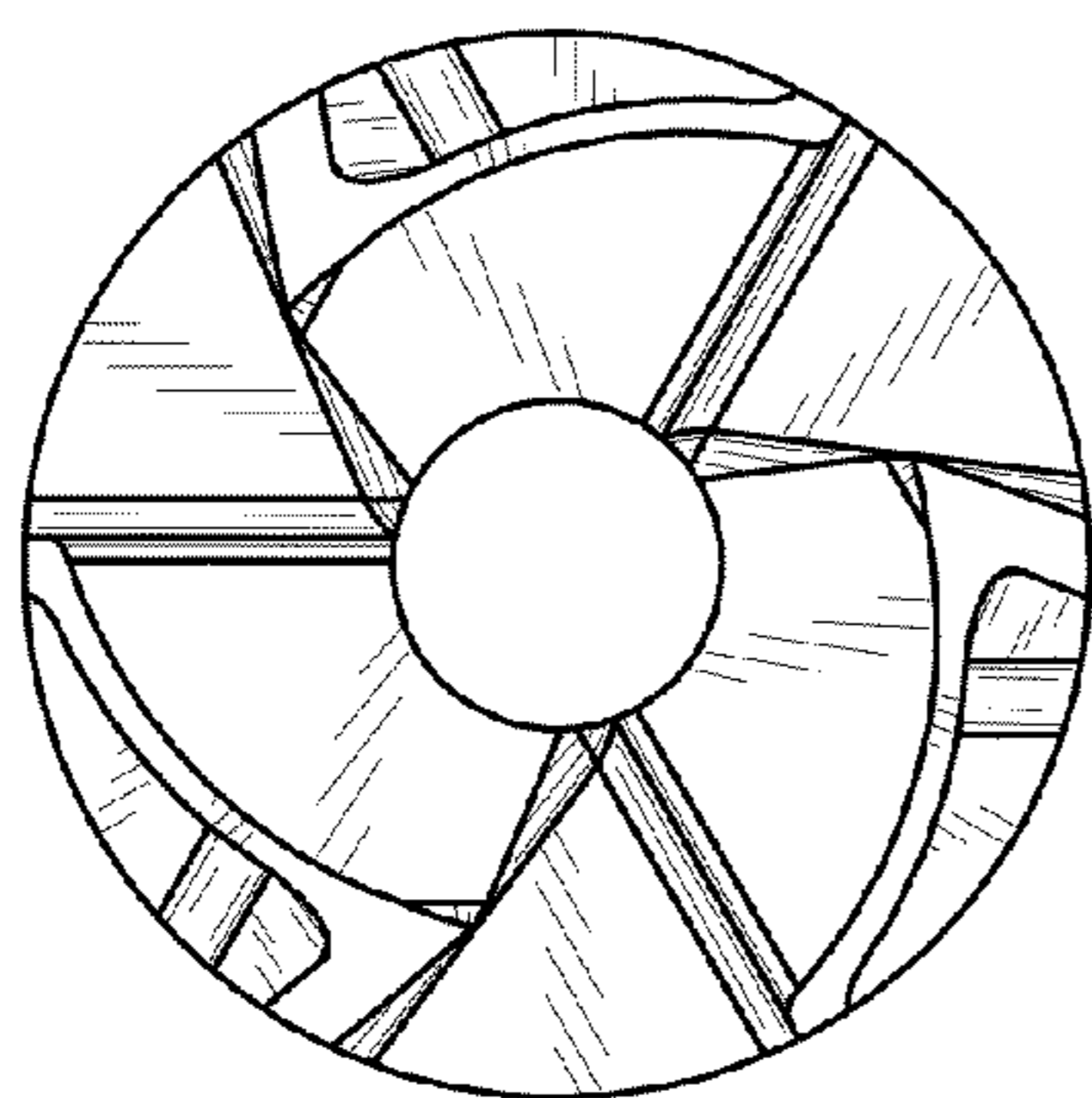
**FIG. 6**



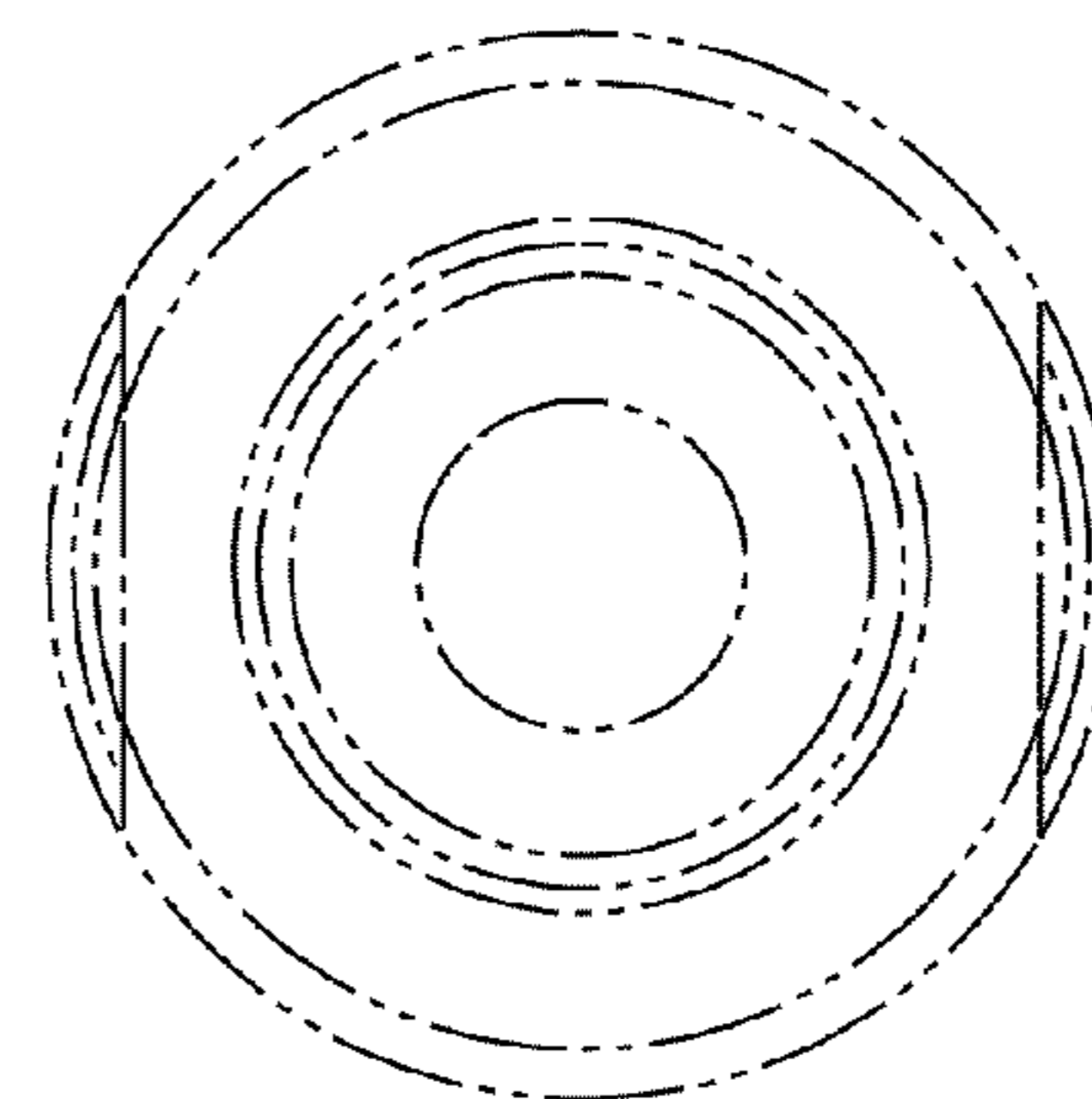
**FIG. 7**



**FIG. 8**



**FIG. 9**



**FIG. 10**