



US00D722668S

(12) **United States Design Patent**
Furseth et al.

(10) **Patent No.:** **US D722,668 S**
(45) **Date of Patent:** **** Feb. 17, 2015**

(54) **COLLAPSIBLE ICE SHELTER**
(75) Inventors: **Michael Furseth**, Cumberland, WI (US); **Matt Olsen**, Rice Lake, WI (US); **Todd Roeschlein**, Cumberland, WI (US)

(73) Assignee: **Ardisam, Inc.**, Cumberland, WI (US)

(**) Term: **14 Years**

(21) Appl. No.: **29/418,340**

(22) Filed: **Apr. 16, 2012**

(51) **LOC (10) Cl.** **21-04**

(52) **U.S. Cl.**
USPC **D21/834**

(58) **Field of Classification Search**
CPC E04H 15/48; E04H 15/14; E04H 15/18;
E04H 15/44; E04H 15/001
USPC D21/834, 836-839; D25/13, 16, 17, 18,
D25/20, 26, 32, 56, 57; 135/87, 90, 93, 94,
135/96-99, 115, 117, 121, 124-128, 133,
135/135, 138, 143, 157, 900, 908;
296/159-161

See application file for complete search history.

(56) **References Cited**

U.S. PATENT DOCUMENTS

4,819,680	A *	4/1989	Beavers	135/125
4,887,627	A *	12/1989	Audet	135/120.1
5,394,897	A *	3/1995	Ritchey et al.	135/124
5,628,338	A *	5/1997	Stumbo	135/147
D397,756	S *	9/1998	Hagerty	D21/811
D505,175	S *	5/2005	Wehner	D21/834
D511,196	S *	11/2005	Wehner	D21/834
D524,900	S *	7/2006	Reis	D21/837
7,320,332	B2 *	1/2008	Reis	135/115
D603,529	S *	11/2009	VanElverdinghe	D25/56
D621,898	S *	8/2010	Smith	D21/838
D652,885	S *	1/2012	Frey	D21/834

D695,375	S *	12/2013	Jin	D21/834
D696,373	S *	12/2013	Jin	D21/834
2004/0238021	A1 *	12/2004	Holub et al.	135/97
2006/0016467	A1 *	1/2006	Bae	135/98
2006/0169312	A1 *	8/2006	Choi	135/143

(Continued)

OTHER PUBLICATIONS

Eastman Outfitters 4 Person Ice Cube, reviewed Dec. 2008, [online], [site visited Feb. 19, 2014]. Available from Internet, <http://www.amazon.com/Eastman-Outfitters-Person-Ice-Cube/product-reviews/B000VBZZ26/ref=pd_sxp_cm_cr_acr_pop_hist_all?ie=UTF8&showViewpoints=1>.*

(Continued)

Primary Examiner — Eric Goodman

Assistant Examiner — Jennifer Watkins

(74) *Attorney, Agent, or Firm* — Stoel Rives LLP

(57) **CLAIM**

We claim the ornamental design for a collapsible ice shelter, as shown and described.

DESCRIPTION

FIG. 1 is a perspective view for a collapsible ice shelter showing our new design.

FIG. 2 is a front view of the collapsible ice shelter of FIG. 1.

FIG. 3 is a rear view of the collapsible ice shelter of FIG. 1.

FIG. 4 is a side view of the collapsible ice shelter of FIG. 1.

FIG. 5 is a side view of the collapsible ice shelter of FIG. 1.

FIG. 6 is a top view of the collapsible ice shelter of FIG. 1;

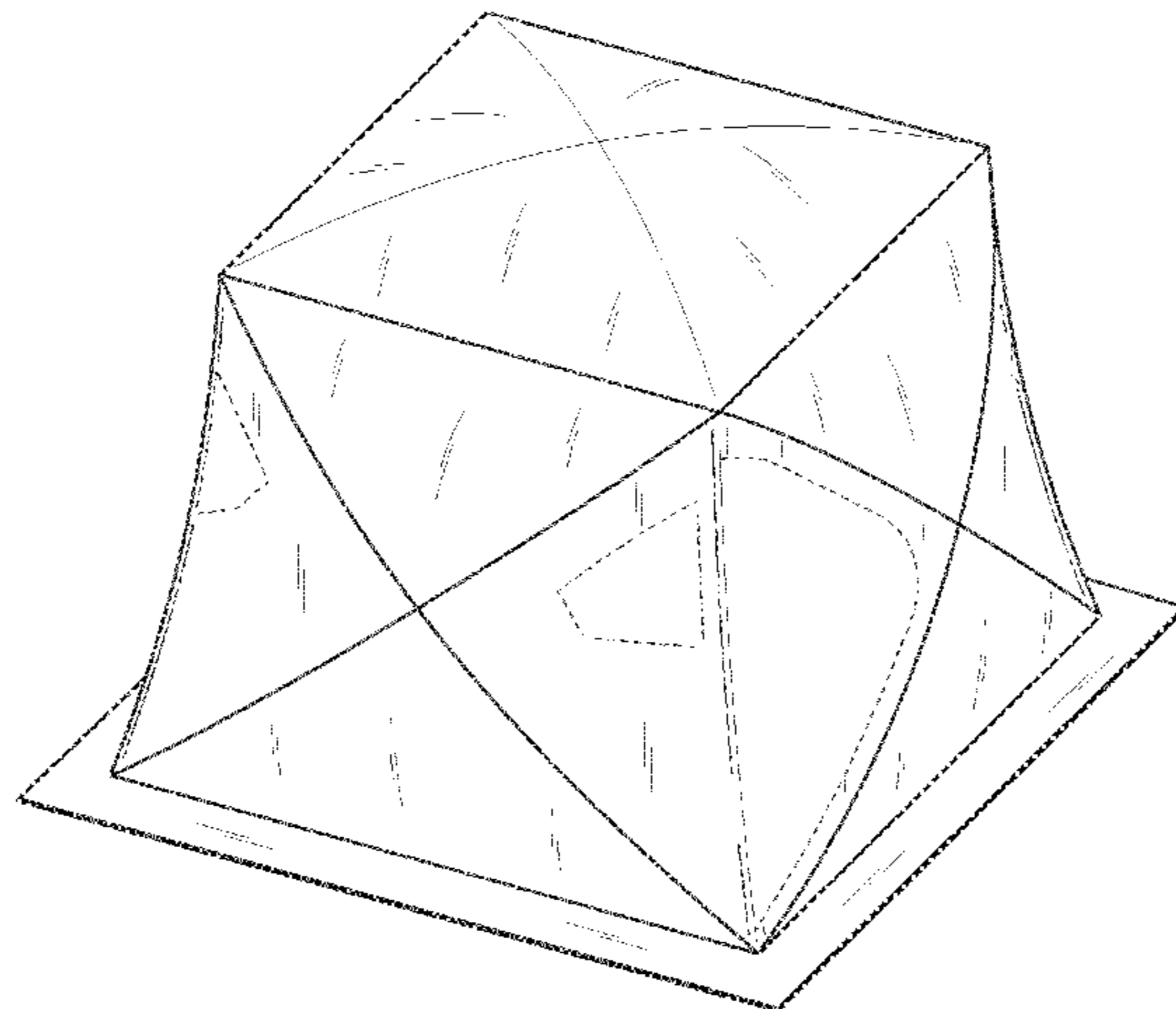
and,

FIG. 7 is a bottom view of the collapsible ice shelter of FIG. 1.

1.

The broken lines in FIGS. 1-7 illustrate portions of the article and form no part of the claimed design.

1 Claim, 4 Drawing Sheets



(56)

References Cited

U.S. PATENT DOCUMENTS

2010/0126546 A1* 5/2010 Chen 135/126
2012/0037197 A1* 2/2012 Koepke et al. 135/117

OTHER PUBLICATIONS

Eskimo Fatfish Product Brochure, announced Aug. 2011,[online],
[site visited Mar. 31, 2014]. Available from Internet, <URL: http://www.geteskimo.com/foundations/store/downloadcenter/kb_categorysearch.asp?message=You+must+choose+a+category>.*

Eskimo Pop-Up Portables Wayback, announced Dec. 2010, [online],
[site visited Mar. 31, 2014]. Available from Internet, <URL: <http://web.archive.org/web/20101228085620/http://www.geteskimo.com>>.*

Eskimo Fatfish Youtube, announced Dec. 25, 2011,[online],[site visited Mar. 31, 2014]. Available from Internet, <URL: http://www.youtube.com/watch?v=fnKxd_NM3Cs>.*

Frabill Ice Fishing Shacks Youtube, announced Feb. 2011,
[online],[site visited Mar. 31, 2014]. Available from Internet,
<URL:<http://www.youtube.com/watch?v=i12D94pCUdk>>.*

* cited by examiner

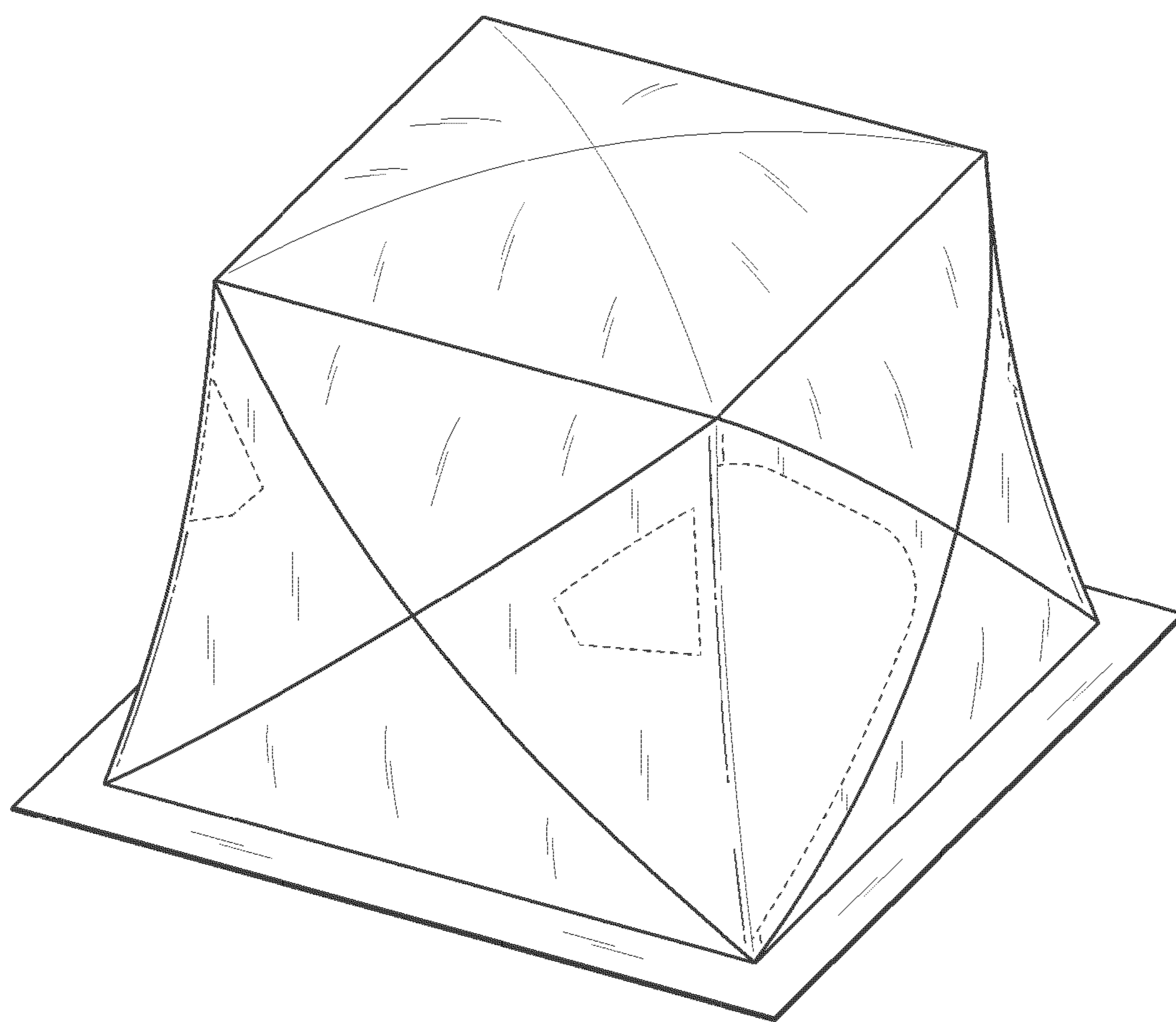


Fig. 1

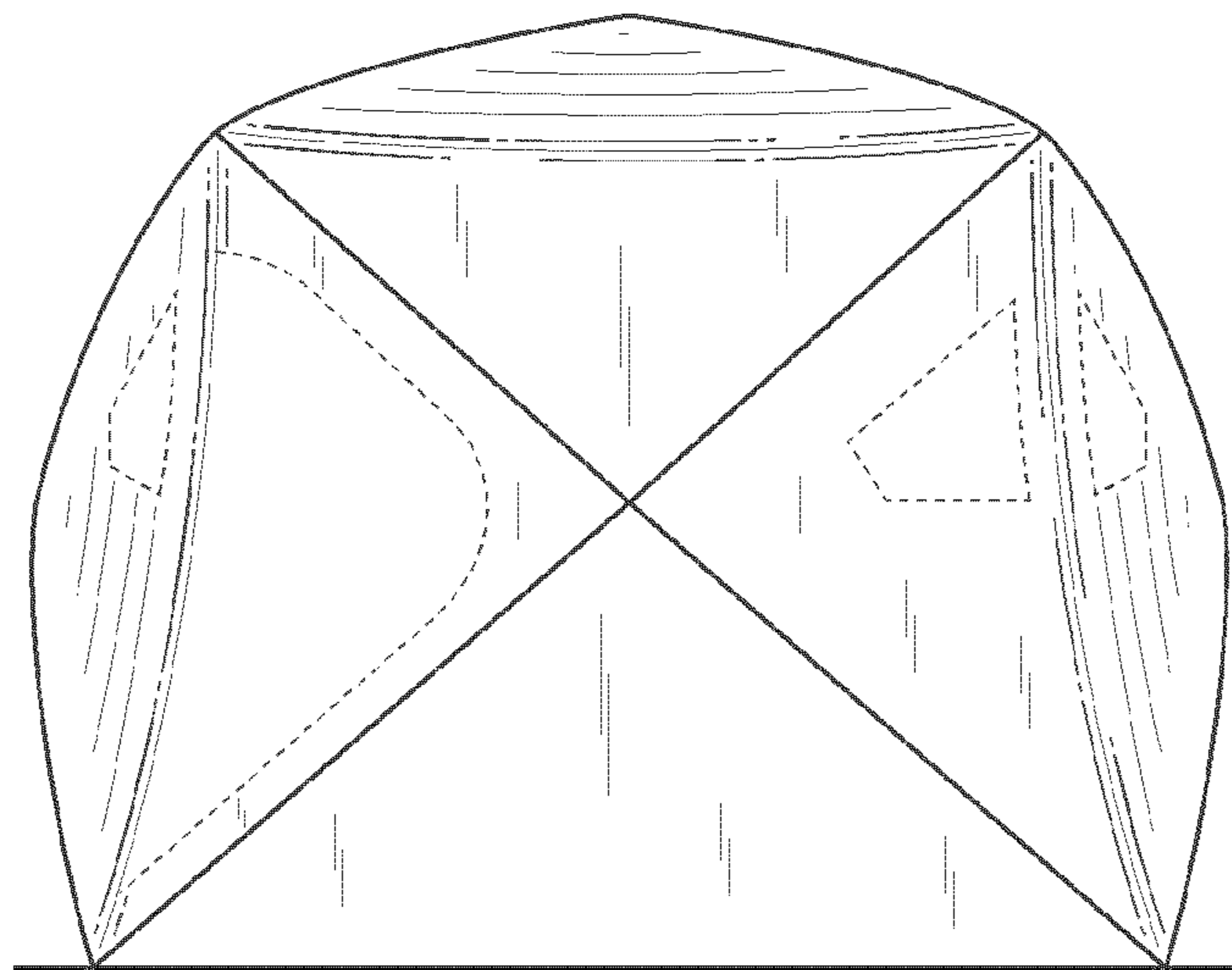


Fig. 2

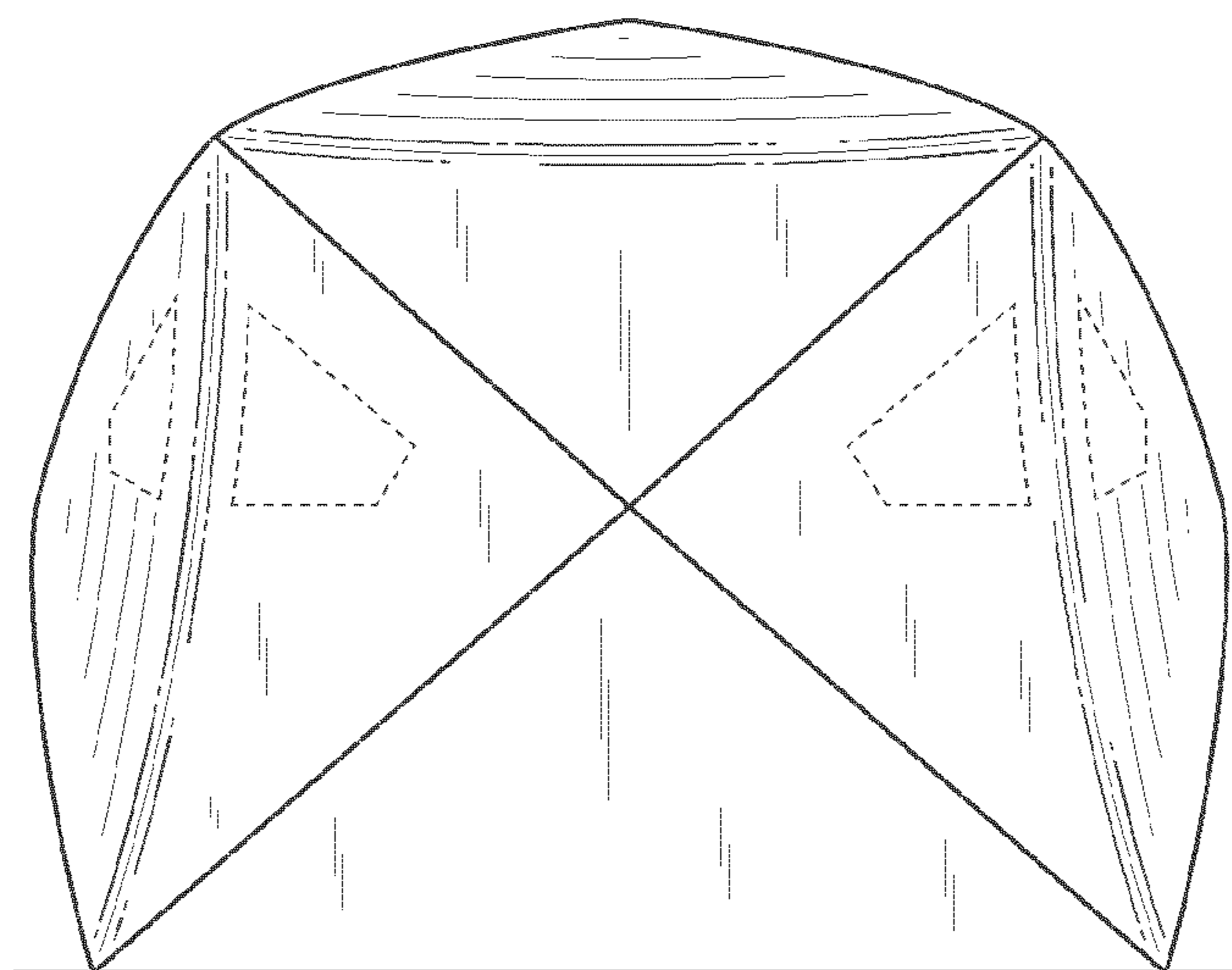


Fig. 3

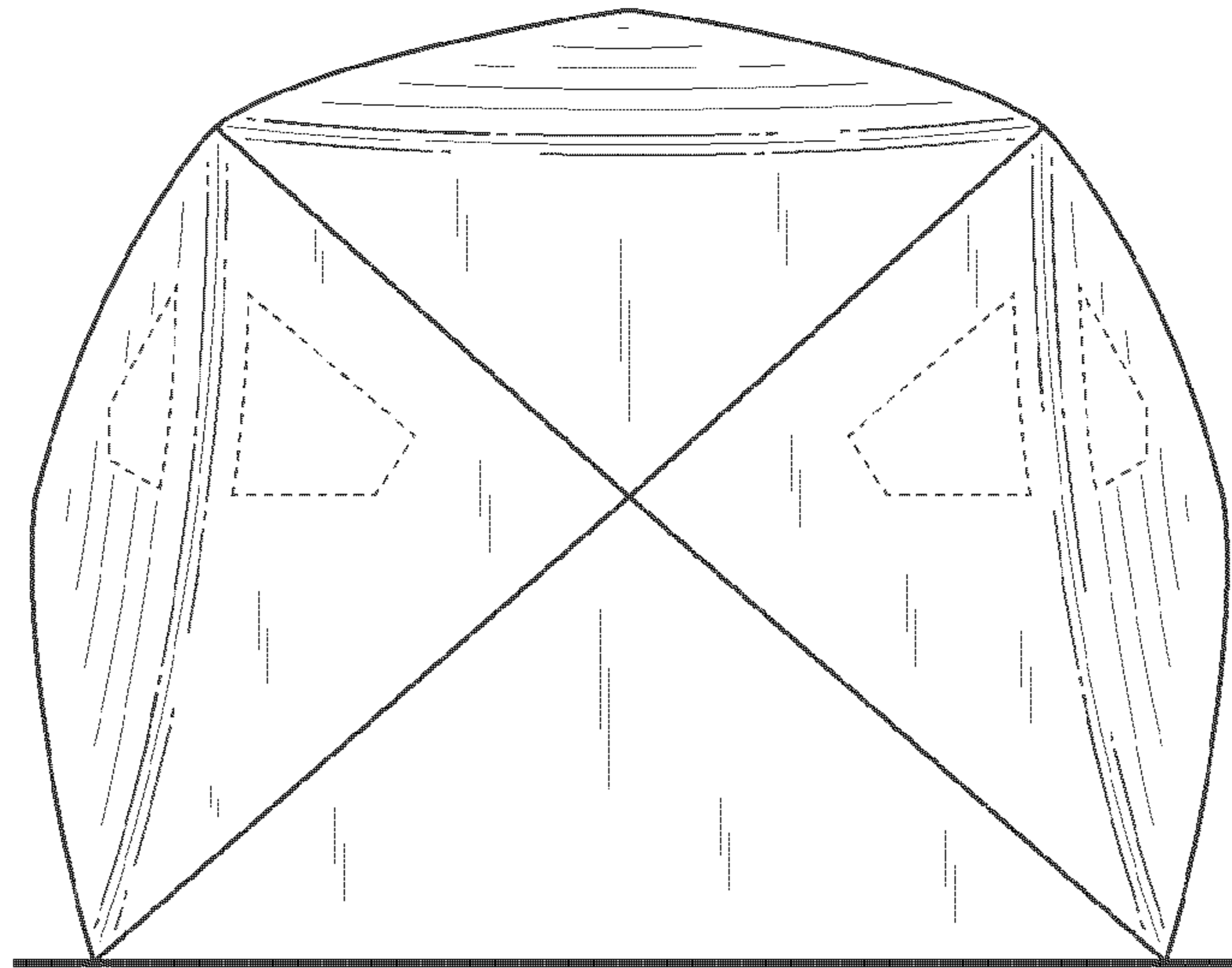


Fig. 4

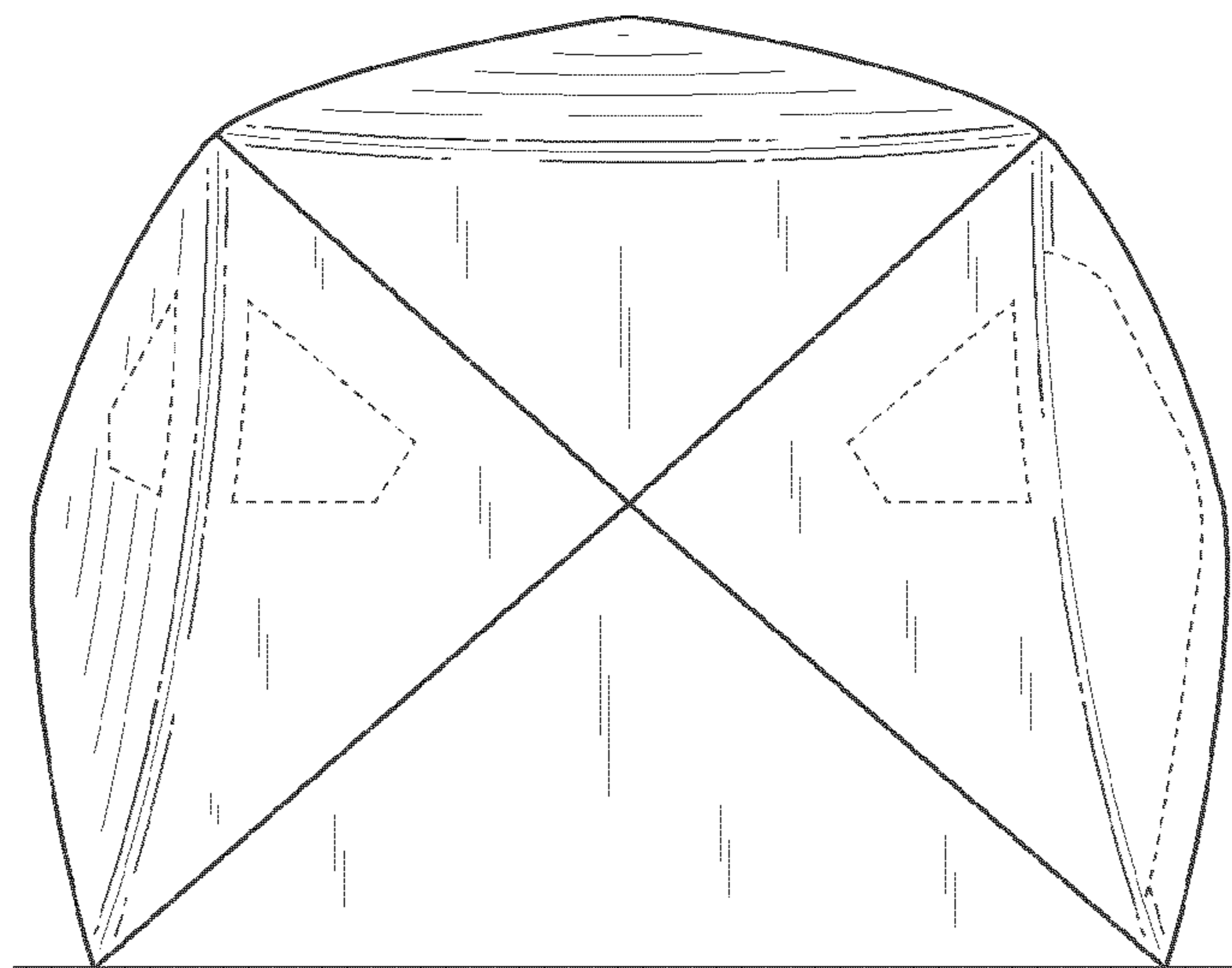


Fig. 5

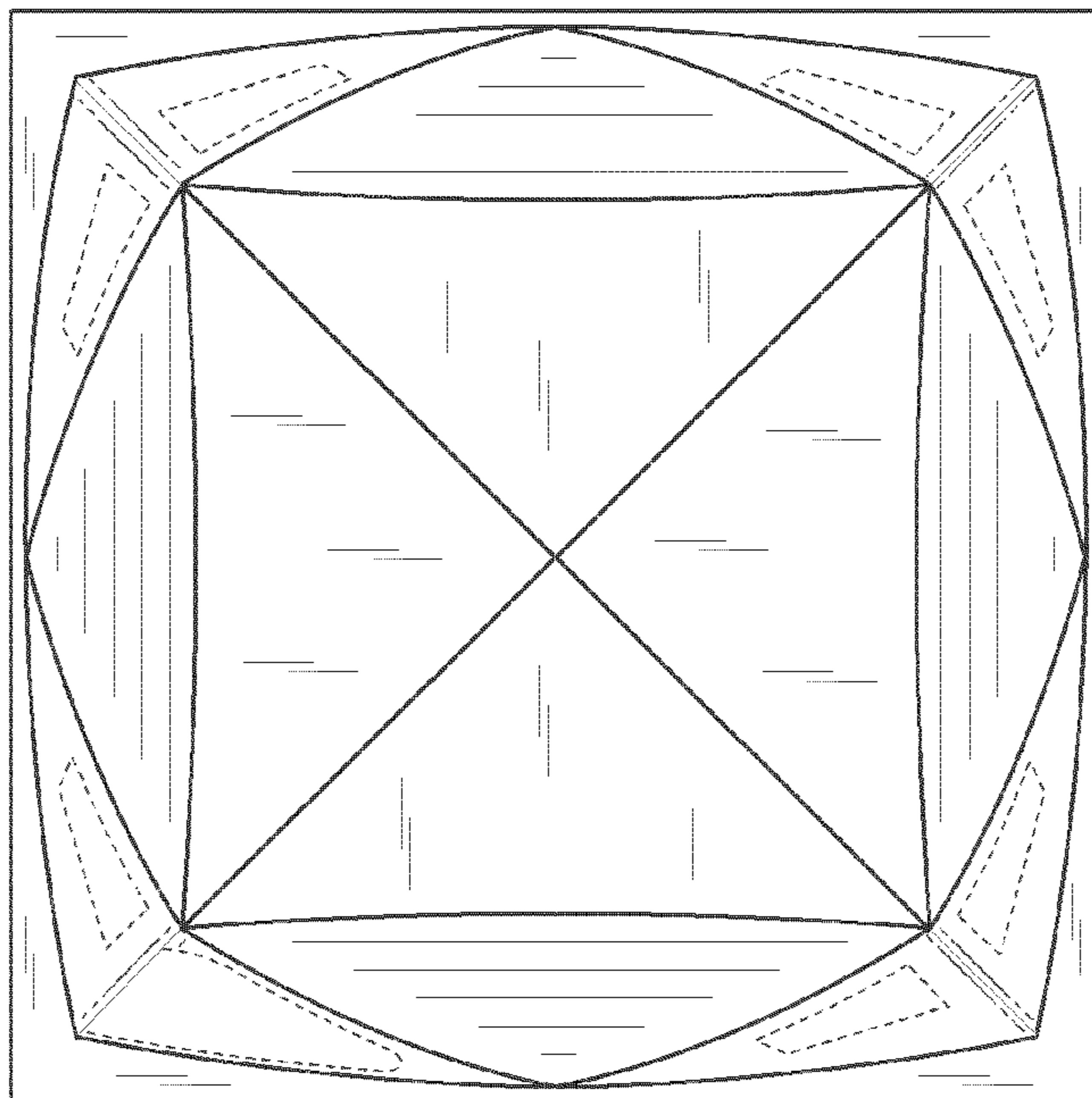


Fig. 6

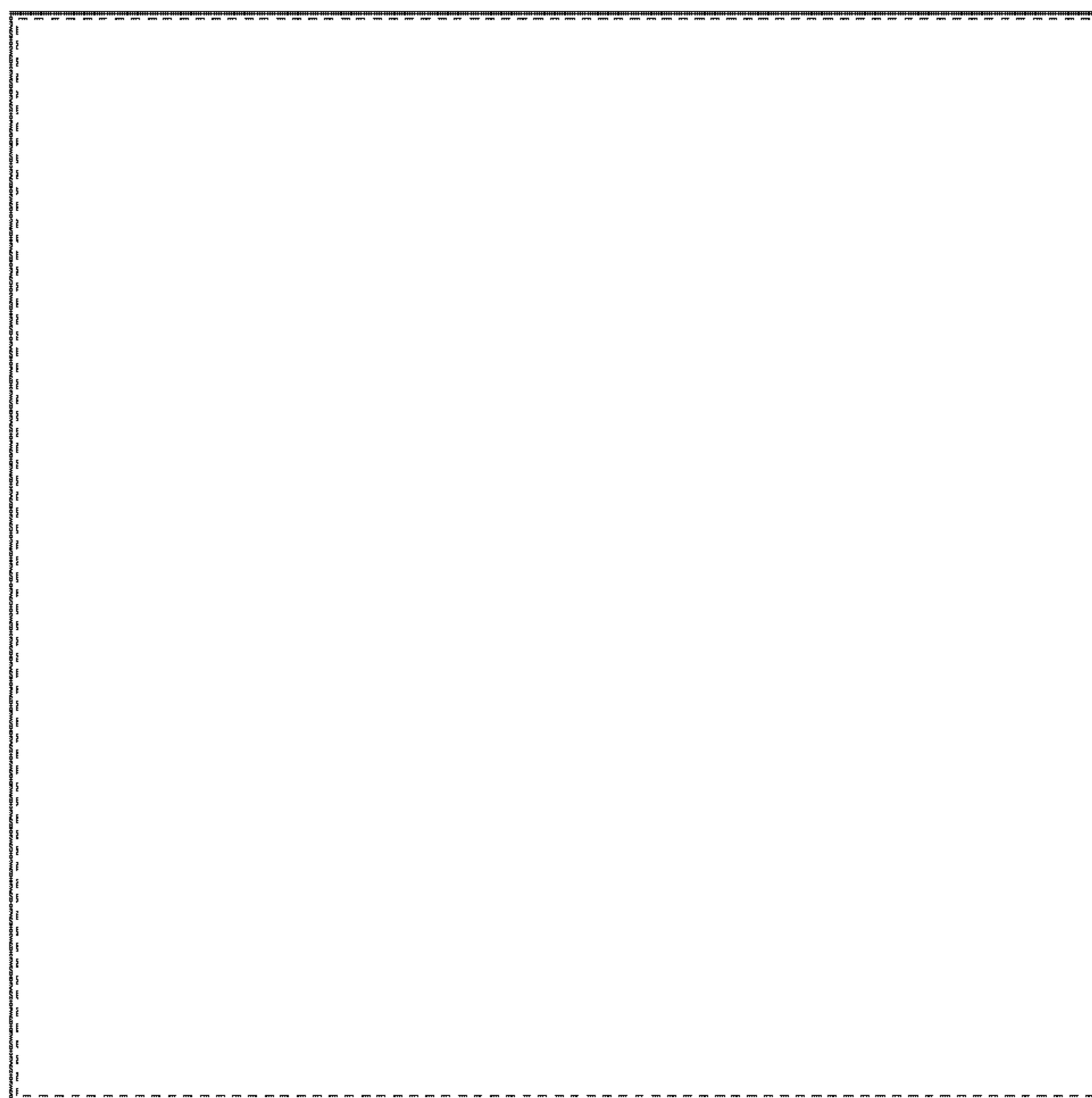


Fig. 7