



US00D722666S

(12) **United States Design Patent**
McDowell

(10) **Patent No.:** **US D722,666 S**

(45) **Date of Patent:** **** Feb. 17, 2015**

(54) **GOLF CLUB HOLDER FOR BALL MARKER AND DIVOT REPAIRER**

(71) Applicant: **Scott M McDowell**, Castle Pines, CO (US)

(72) Inventor: **Scott M McDowell**, Castle Pines, CO (US)

(**) Term: **14 Years**

(21) Appl. No.: **29/478,112**

(22) Filed: **Dec. 31, 2013**

(51) **LOC (10) Cl.** **21-02**

(52) **U.S. Cl.**
USPC **D21/796**

(58) **Field of Classification Search**
USPC D21/753, 759, 789, 793, 794, 796;
D3/221, 254; D6/552; 473/282, 285,
473/286, 406, 408

See application file for complete search history.

(56) **References Cited**

U.S. PATENT DOCUMENTS

3,120,388	A *	2/1964	Doble	473/406
3,774,913	A *	11/1973	Dien	473/285
3,791,652	A *	2/1974	Schuler	473/286
D290,150	S *	6/1987	Stewart	D21/759
4,955,609	A *	9/1990	Kassen	473/286

6,758,762	B2 *	7/2004	Markwood	473/285
D514,647	S *	2/2006	Mora et al.	D21/796
D530,769	S *	10/2006	Blau	D21/796
7,303,484	B2 *	12/2007	Bieske	473/286
D567,892	S *	4/2008	Wagen et al.	D21/791

* cited by examiner

Primary Examiner — Mitchell Siegel

(74) *Attorney, Agent, or Firm* — Patent Law Office of Rick Martin, P.C.

(57) **CLAIM**

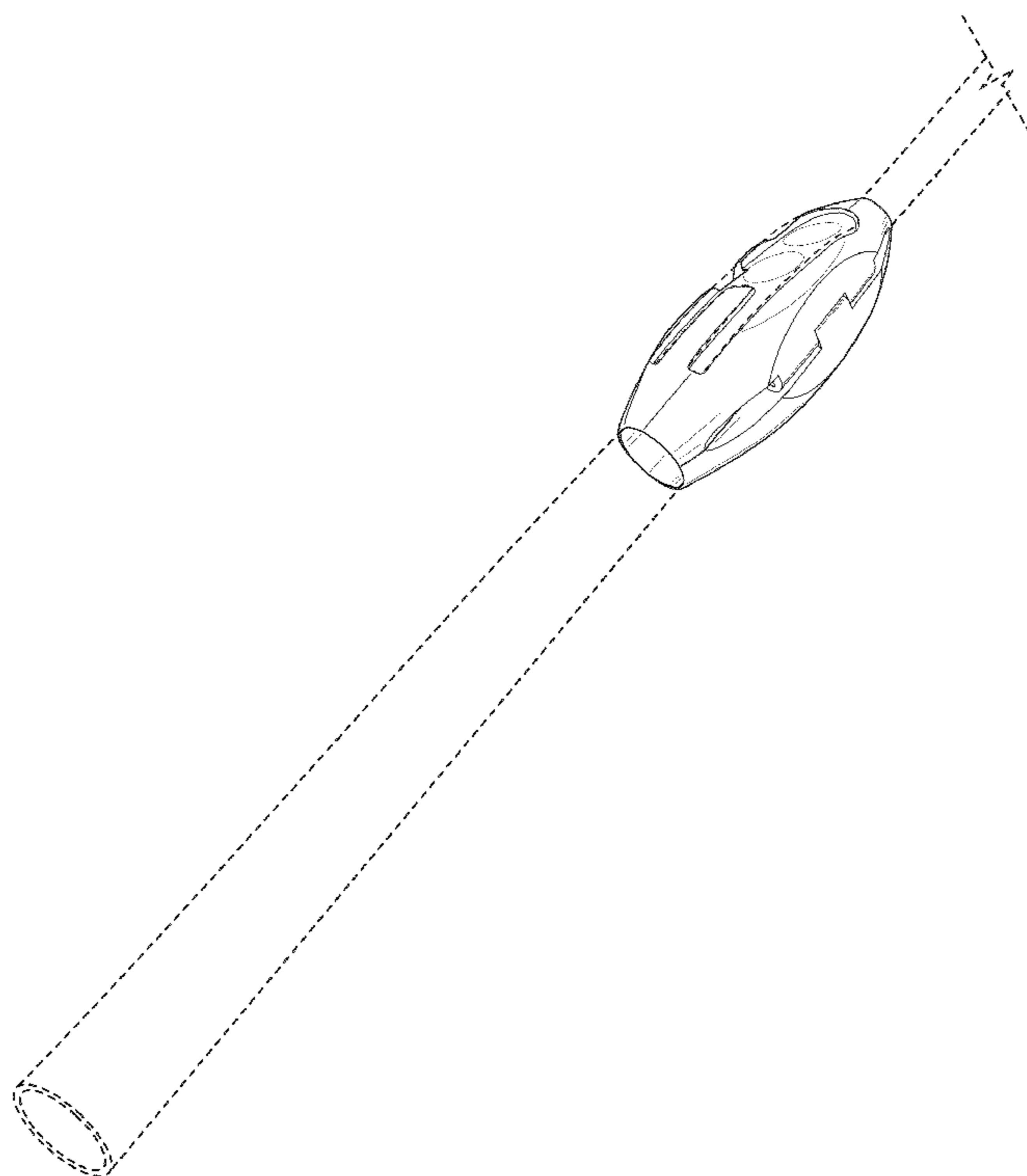
The ornamental design for a golf club holder for ball marker and divot repairer, as shown and described.

DESCRIPTION

FIG. 1 is a top perspective view of my new design for a golf club holder for ball marker and divot repairer;
FIG. 2 is a top plan view of my new invention;
FIG. 3 is a bottom plan view of my new invention;
FIG. 4 is a front elevation view of my new invention;
FIG. 5 is a right side elevation view of my new invention;
FIG. 6 is a left side elevation view of my new invention;
FIG. 7 is a rear elevation view of my new invention; and,
FIG. 8 is a left side elevation view of my new invention in an open mode.

The broken lines indicating are for purposes of illustrating a golf club handle and divot repairer and ball marker and form no part of the claimed design.

1 Claim, 4 Drawing Sheets



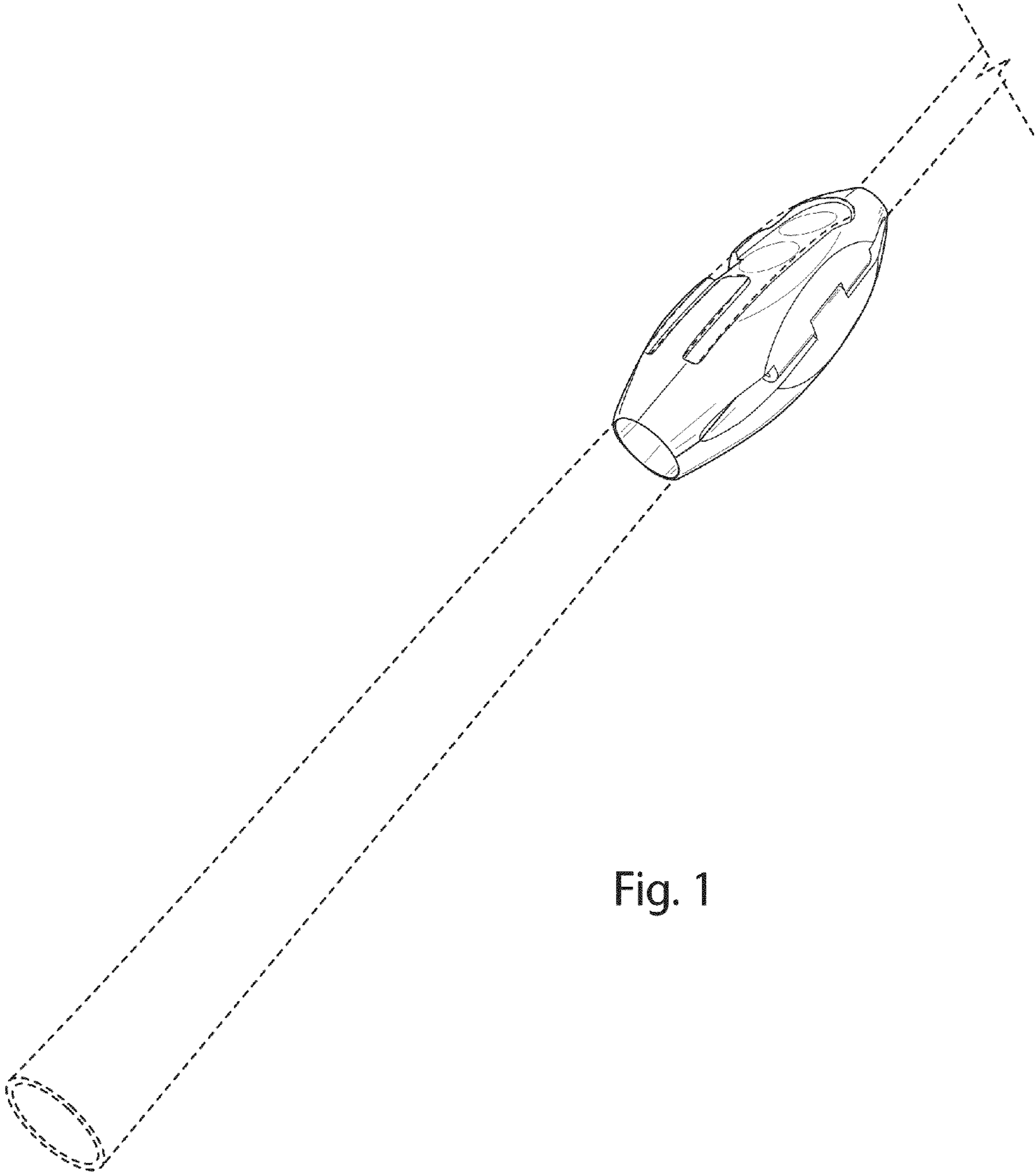


Fig. 1

Fig. 2

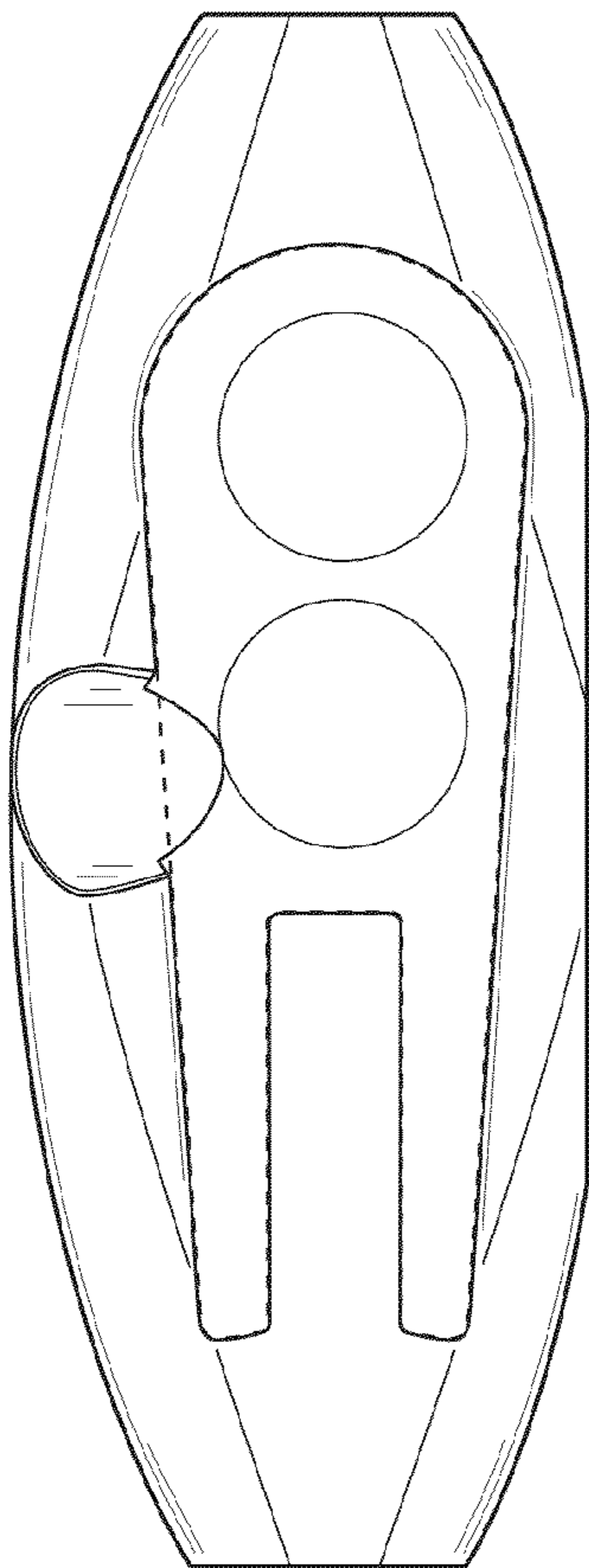


Fig. 3

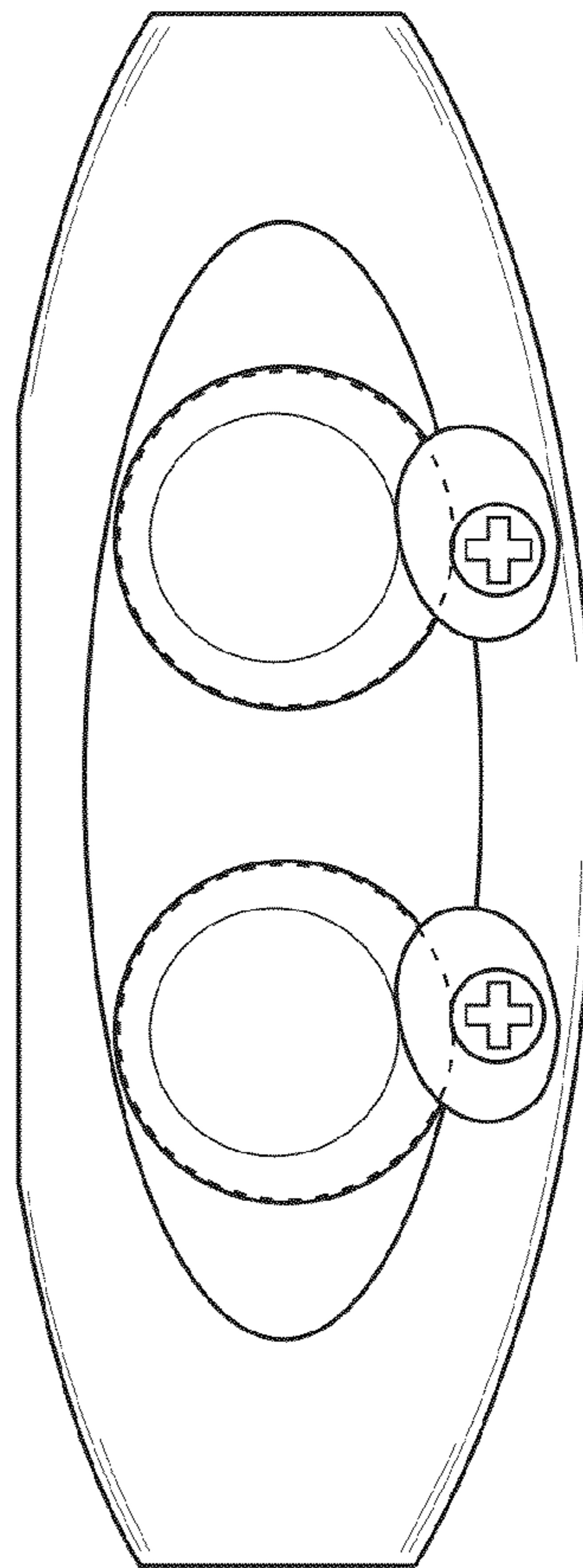


Fig. 4

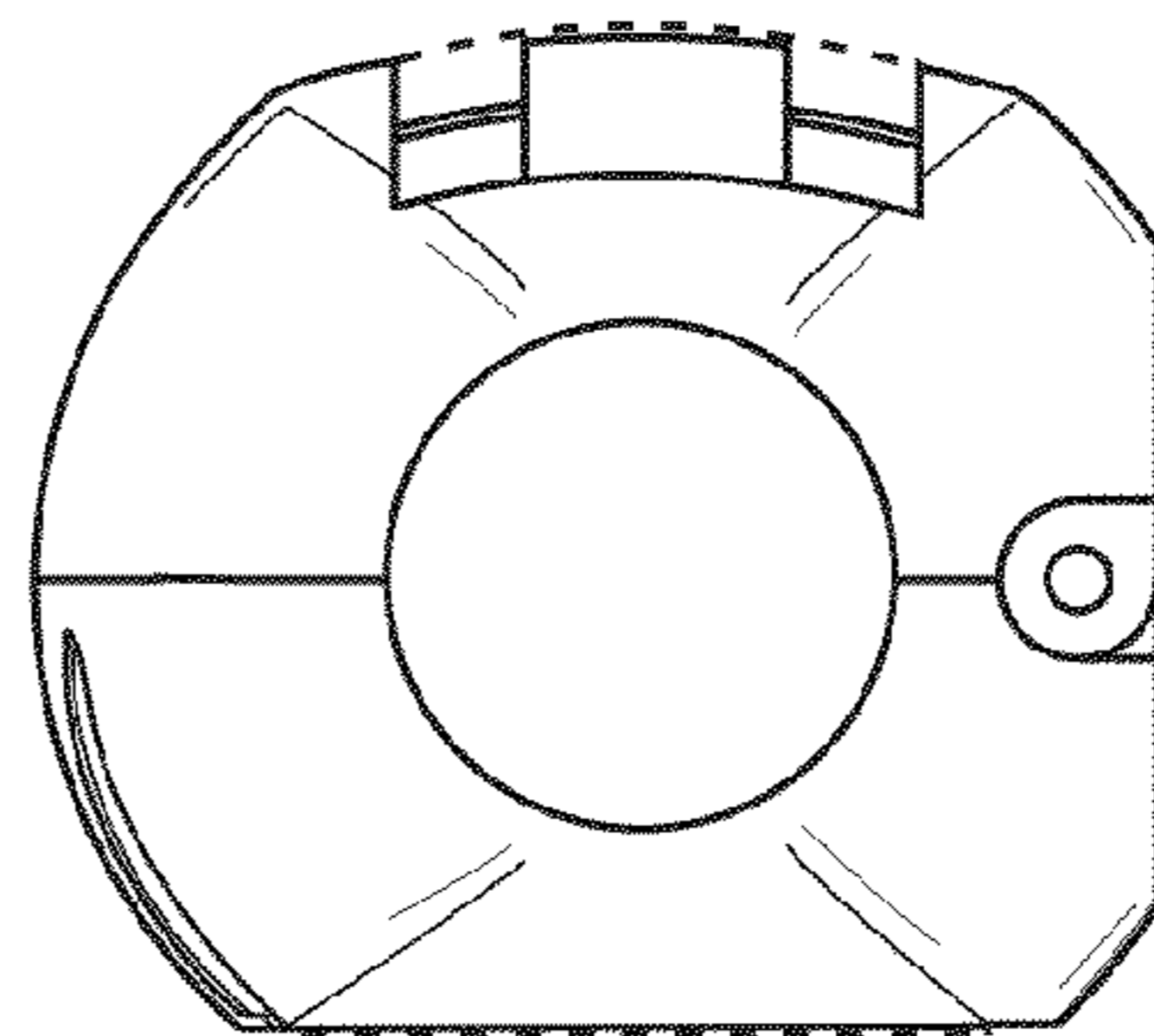


Fig. 5

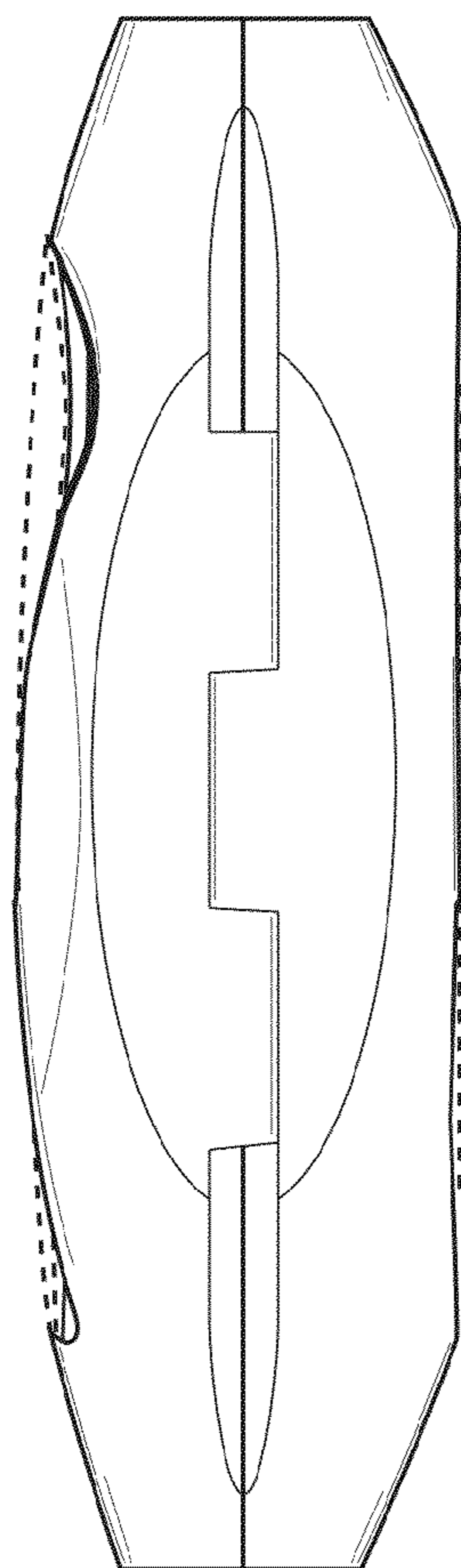


Fig. 6

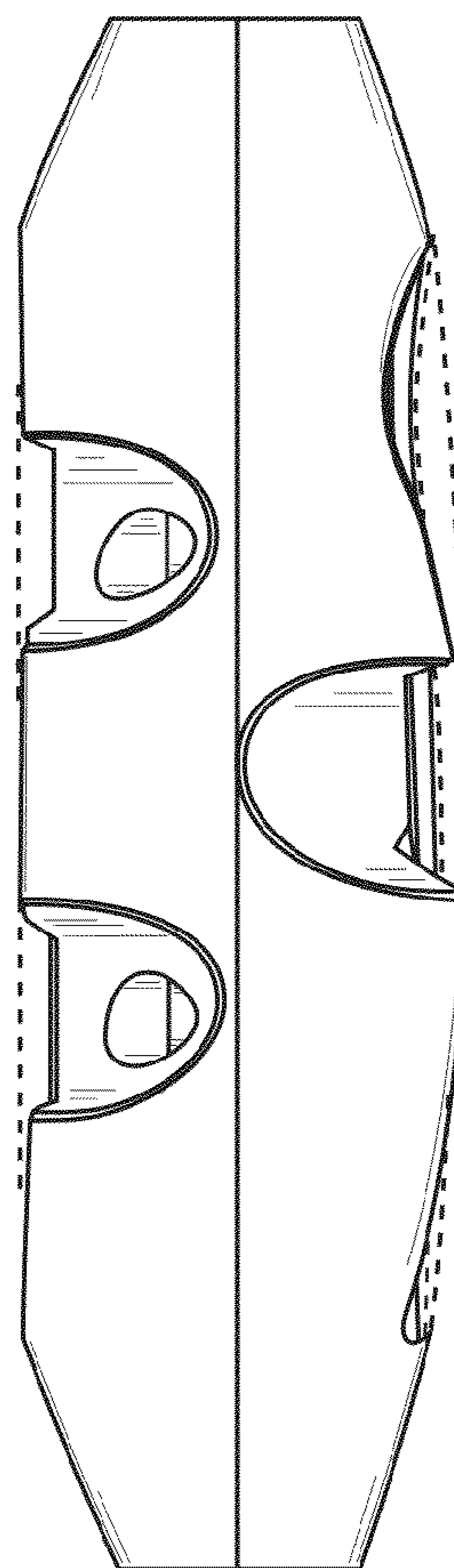


Fig. 7

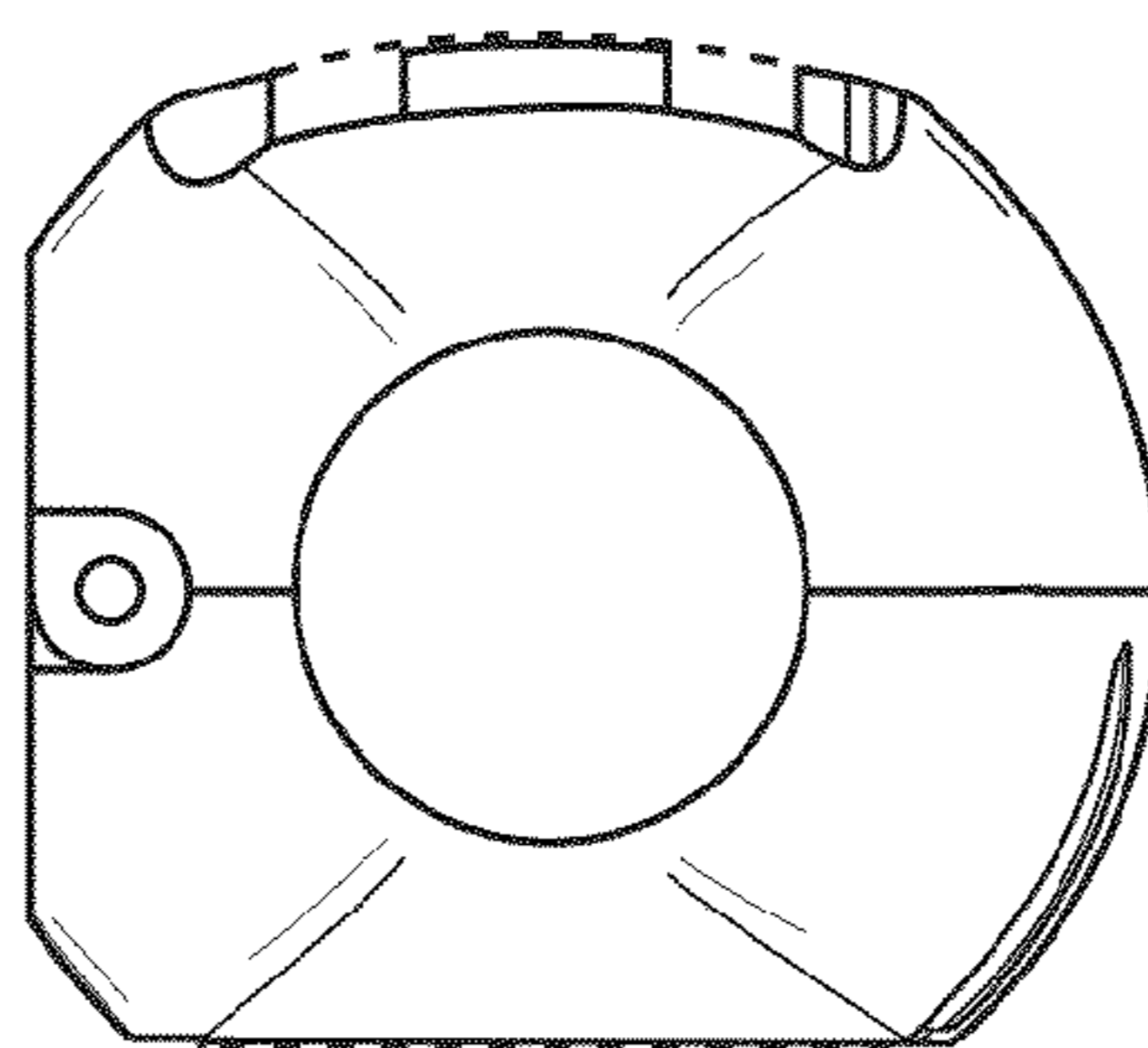


Fig. 8

