



US00D722661S

(12) **United States Design Patent**  
**Hough**

(10) **Patent No.:** **US D722,661 S**

(45) **Date of Patent:** **\*\* Feb. 17, 2015**

(54) **GOLF PUTTER HEAD**

(71) Applicant: **John L. Hough**, Gibsonia, PA (US)

(72) Inventor: **John L. Hough**, Gibsonia, PA (US)

(\*\*) Term: **14 Years**

(21) Appl. No.: **29/483,151**

(22) Filed: **Feb. 26, 2014**

(51) **LOC (10) Cl.** ..... **21-02**

(52) **U.S. Cl.**  
USPC ..... **D21/743**

(58) **Field of Classification Search**  
CPC ..... A63B 53/065; A63B 53/0487  
USPC ..... D21/736-746; 473/324-331, 340-341,  
473/251-256

See application file for complete search history.

(56) **References Cited**

**U.S. PATENT DOCUMENTS**

3,880,430	A	4/1975	McCabe	
D247,381	S *	2/1978	Adkins	D21/743
D325,949	S *	5/1992	Harris, Jr.	D21/741
D335,691	S *	5/1993	Barker et al.	D21/736
D364,664	S *	11/1995	McNamara	D21/741
D432,607	S *	10/2000	Uebelhor	D21/736
D435,072	S *	12/2000	Jaeckel	D21/738

6,261,190	B1	7/2001	Ashcraft	
D447,199	S *	8/2001	Christensen	D21/743
D458,979	S *	6/2002	Hill et al.	D21/736
7,374,497	B2	5/2008	Brown	
D570,933	S *	6/2008	Kramski	D21/742
7,651,411	B2	1/2010	Jones	
7,766,762	B2	8/2010	Stellander	
D682,957	S *	5/2013	Welch et al.	D21/736
8,480,504	B2	7/2013	Hilton	
8,517,852	B1	8/2013	Hilton	
8,550,931	B1	10/2013	Hilton	
2013/0210537	A1	8/2013	Ainscough	

\* cited by examiner

*Primary Examiner* — Mitchell Siegel

(74) *Attorney, Agent, or Firm* — Ronald Law Group, LLC

(57) **CLAIM**

The ornamental design for a golf putter head, as shown and described.

**DESCRIPTION**

FIG. 1 is a top perspective view of a golf putter head showing my new design;

FIG. 2 is a top plan view thereof;

FIG. 3 is a rear elevation view thereof;

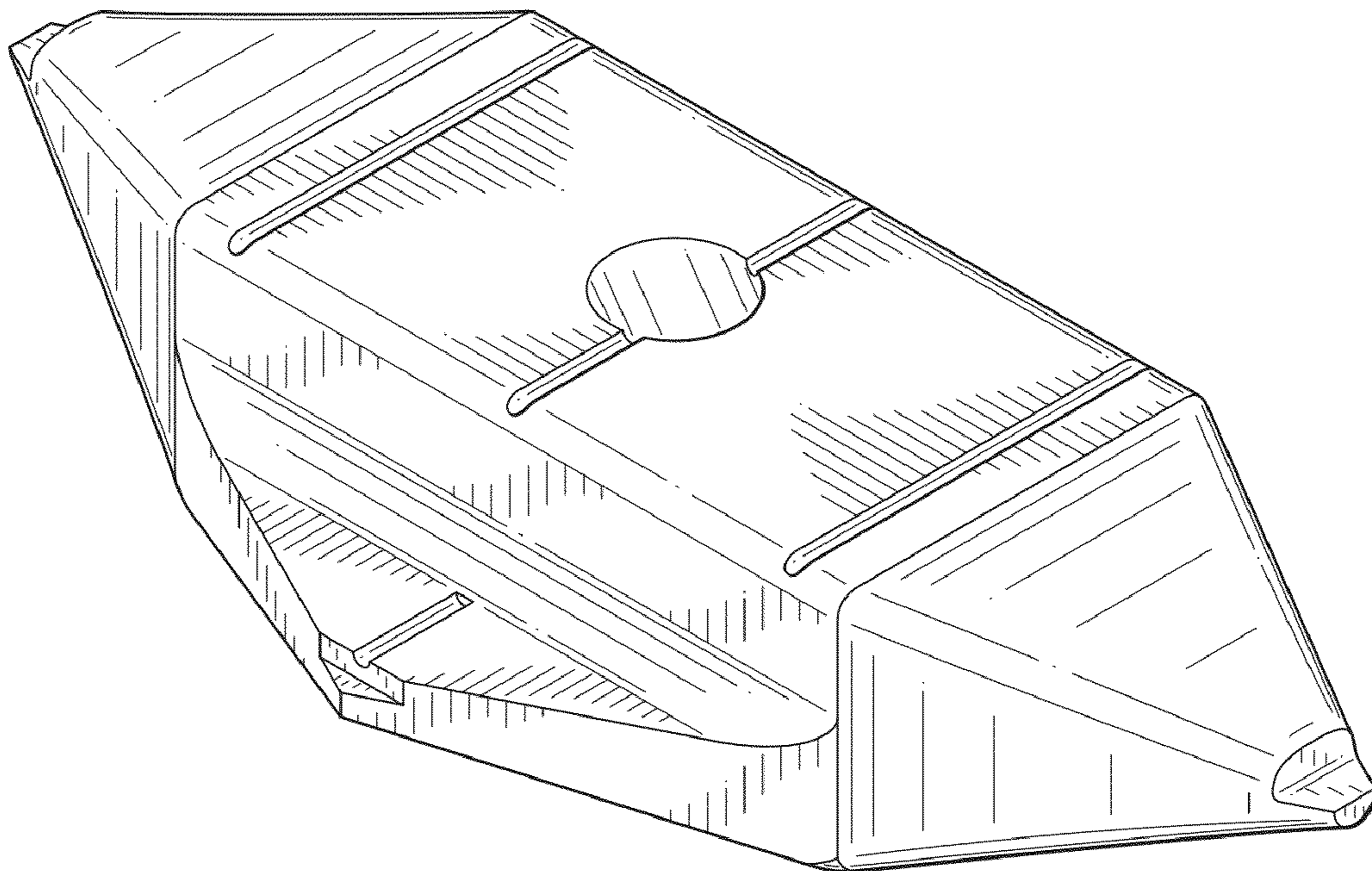
FIG. 4 is a bottom plan view thereof;

FIG. 5 is a front elevation view thereof;

FIG. 6 is a right side elevation view thereof; and,

FIG. 7 is a left side elevation view thereof.

**1 Claim, 4 Drawing Sheets**



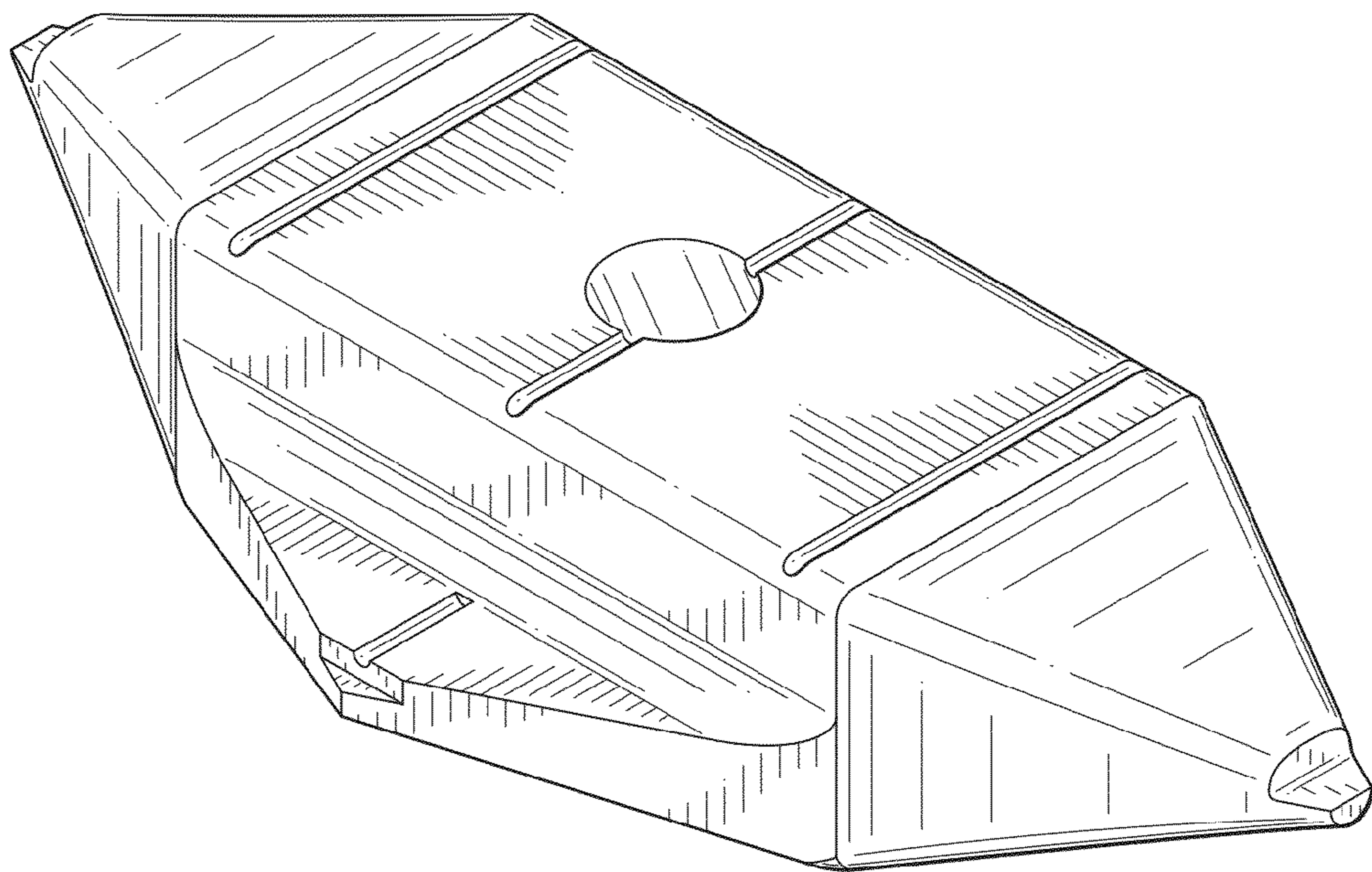


FIG. 1

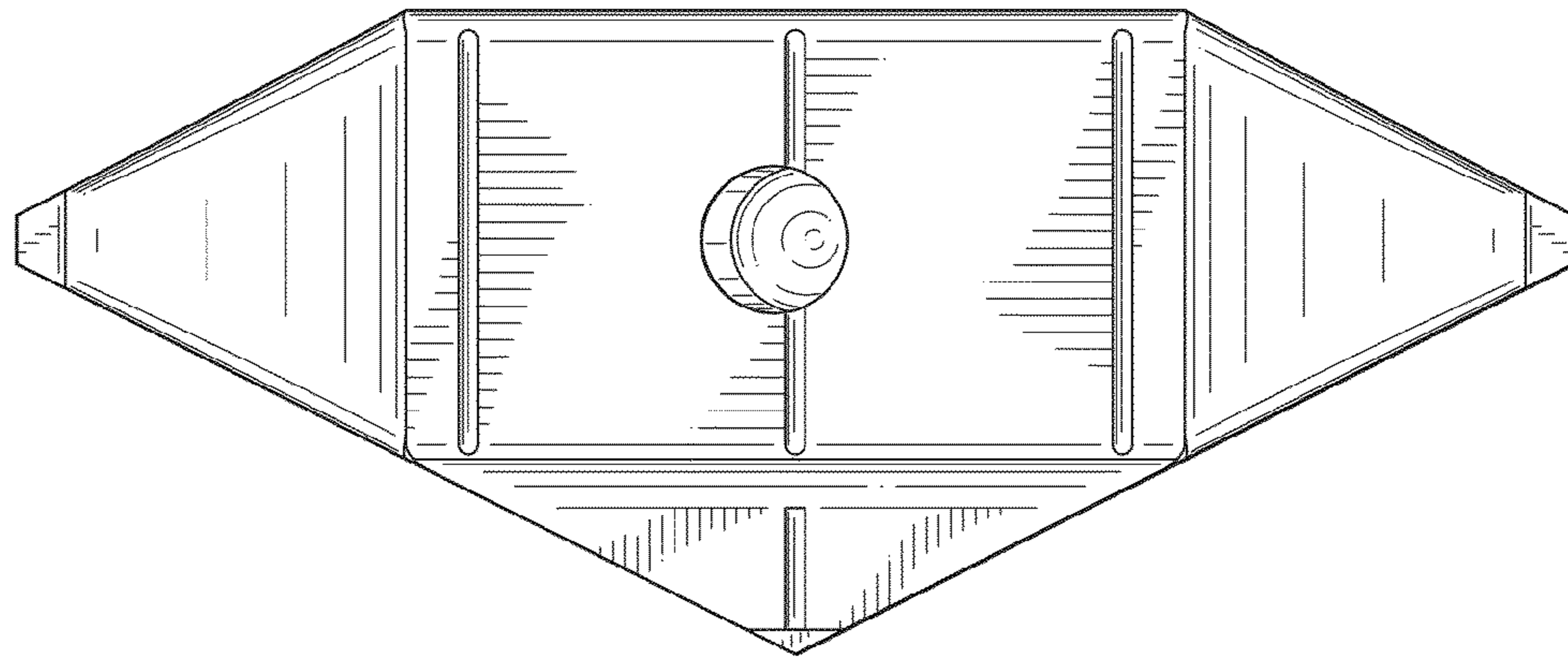


FIG. 2

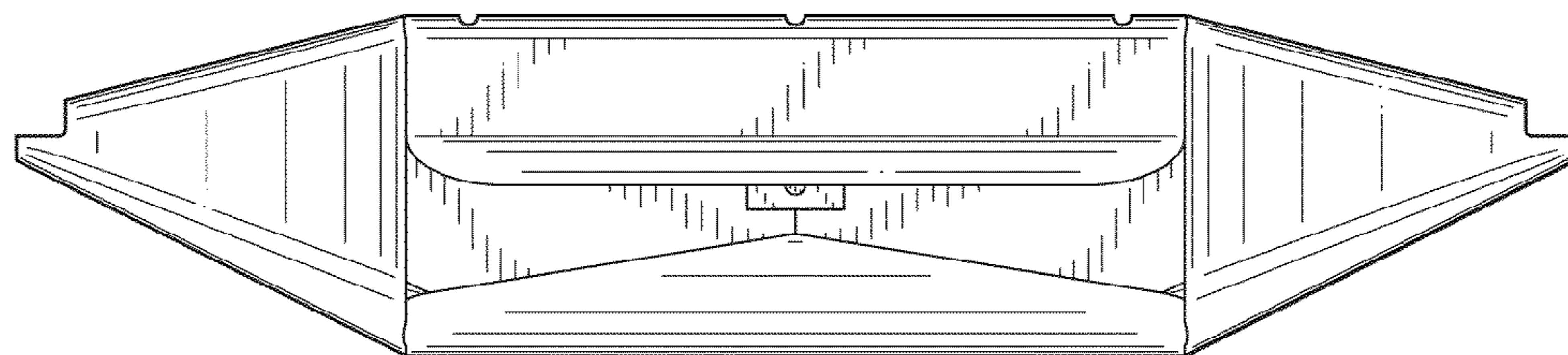


FIG. 3

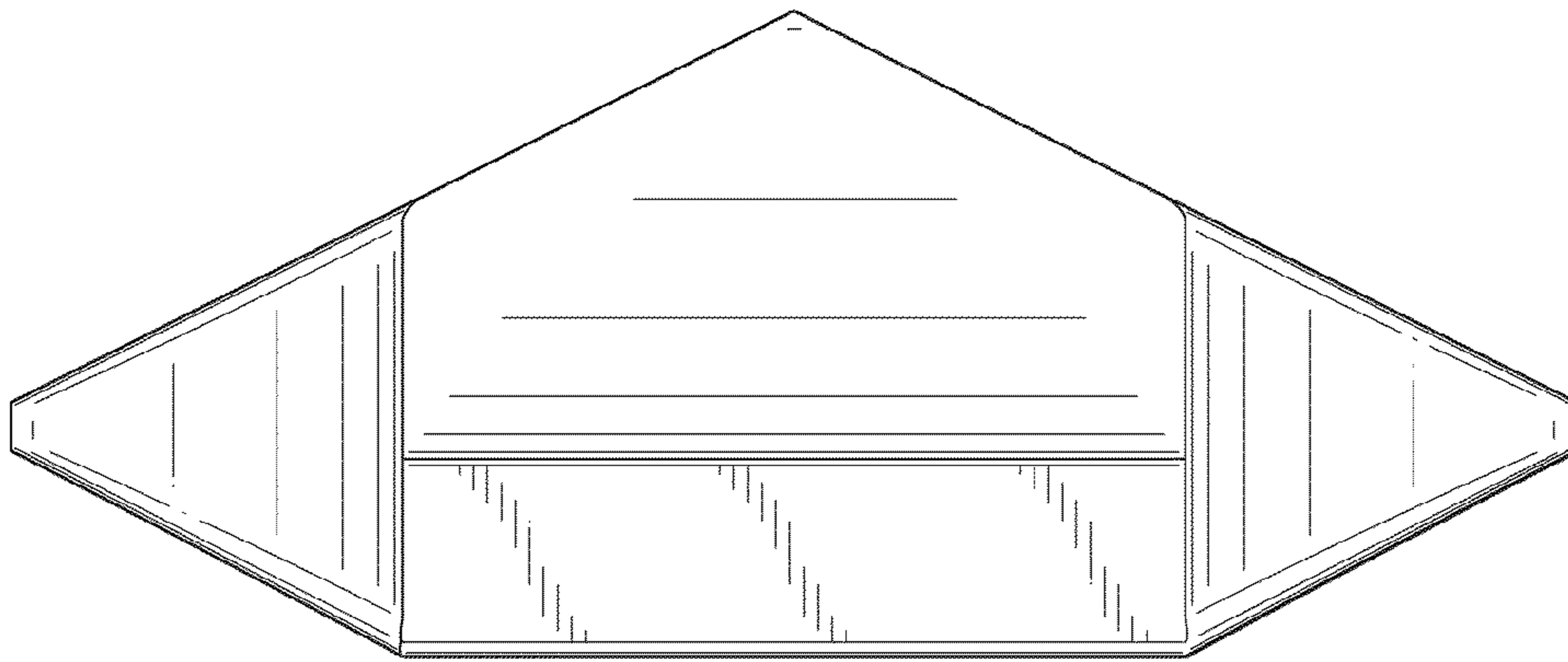


FIG. 4

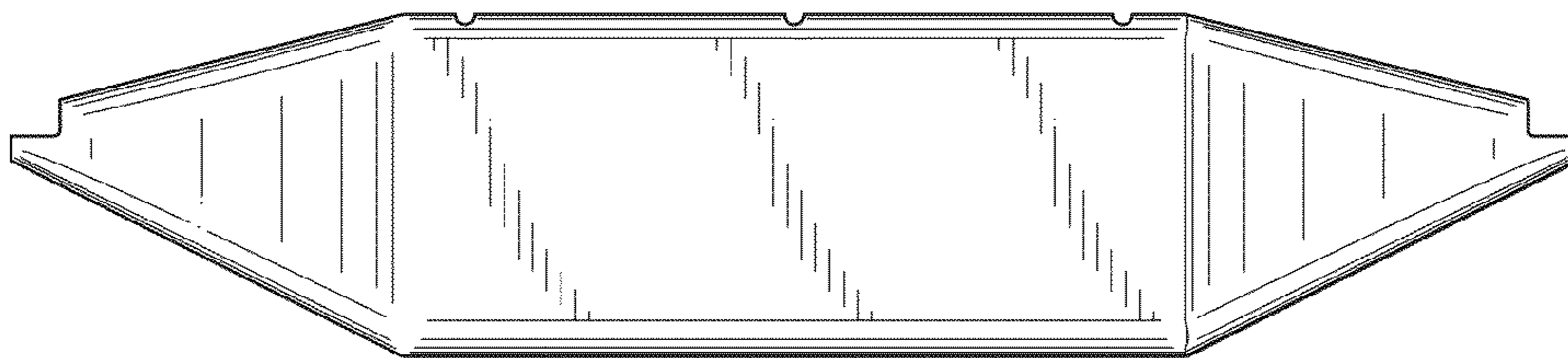


FIG. 5

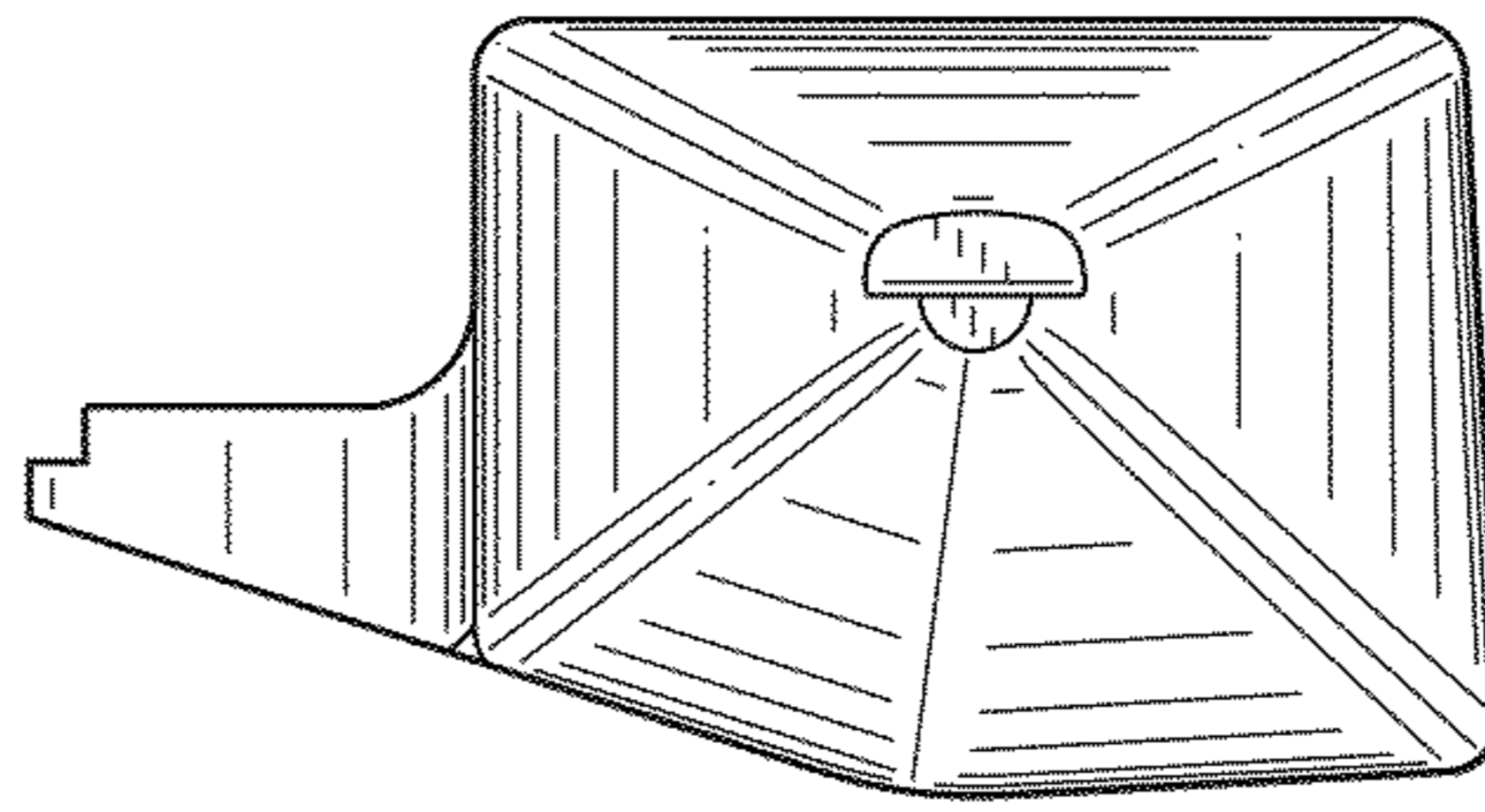


FIG. 6

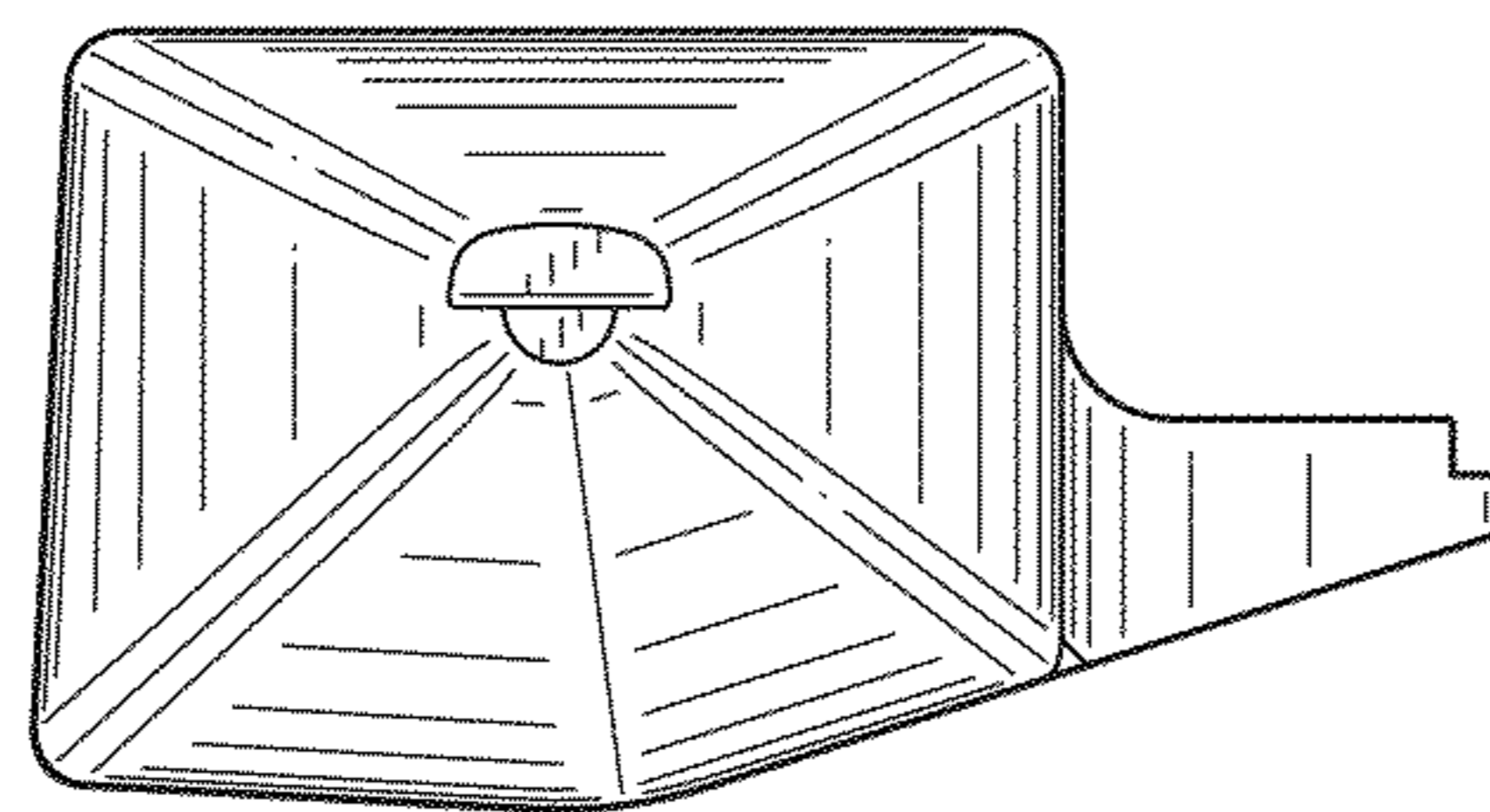


FIG. 7