



US00D722660S

(12) **United States Design Patent**
Yuan

(10) **Patent No.:** **US D722,660 S**
(45) **Date of Patent:** **** Feb. 17, 2015**

- (54) **NET SET FOR SPORTS**
- (71) Applicant: **Yancheng Gaiwei Automobile Parts Co., Ltd.**, Yancheng, Jiangsu Province (CN)
- (72) Inventor: **Zhong Chun Yuan**, Yancheng (CN)
- (73) Assignee: **Yancheng Gaiwei Automobile Parts Co. Ltd.**, Yancheng, Jiangsu Province (CN)
- (**) Term: **14 Years**
- (21) Appl. No.: **29/463,402**
- (22) Filed: **Nov. 7, 2013**
- (51) **LOC (10) Cl.** **21-02**
- (52) **U.S. Cl.**
USPC **D21/698; D21/705; D21/799.1**
- (58) **Field of Classification Search**
CPC A63B 61/00; A63B 61/003; A63B 2243/0095; A63B 67/18; A63B 2243/0083; A63B 2243/0091
USPC D21/698, 699, 705, 706, 799.1, 799.2; 473/415-504; 273/317-412
See application file for complete search history.

4,886,268	A *	12/1989	Langslet	473/492
4,938,479	A *	7/1990	Jenkins et al.	473/436
5,533,722	A *	7/1996	Lu	473/460
5,562,288	A *	10/1996	Erkebaev	273/396
5,730,668	A *	3/1998	Hege et al.	473/472
5,810,363	A *	9/1998	Saunders et al.	273/407
D435,078	S *	12/2000	Hsu et al.	D21/799.1
6,461,258	B1 *	10/2002	Vacanti	473/494
D531,684	S *	11/2006	Bouffard et al.	D21/698
8,475,301	B1 *	7/2013	Lane	473/416
8,523,716	B2 *	9/2013	Simon	473/492
2007/0087869	A1 *	4/2007	Lin	473/490
2012/0071278	A1 *	3/2012	Mansfield	473/421

* cited by examiner

Primary Examiner — Catherine Tuttle

(74) *Attorney, Agent, or Firm* — Tsz Lung Yeung

(57) **CLAIM**

The ornamental design for a net set for sports, as shown and described.

DESCRIPTION

FIG. 1 is a perspective view of a net set for sports showing my new design.

FIG. 2 is a front view thereof.

FIG. 3 is a rear view thereof.

FIG. 4 is a right end view thereof.

FIG. 5 is a left end view thereof.

FIG. 6 is a top view thereof; and,

FIG. 7 is a bottom view thereof.

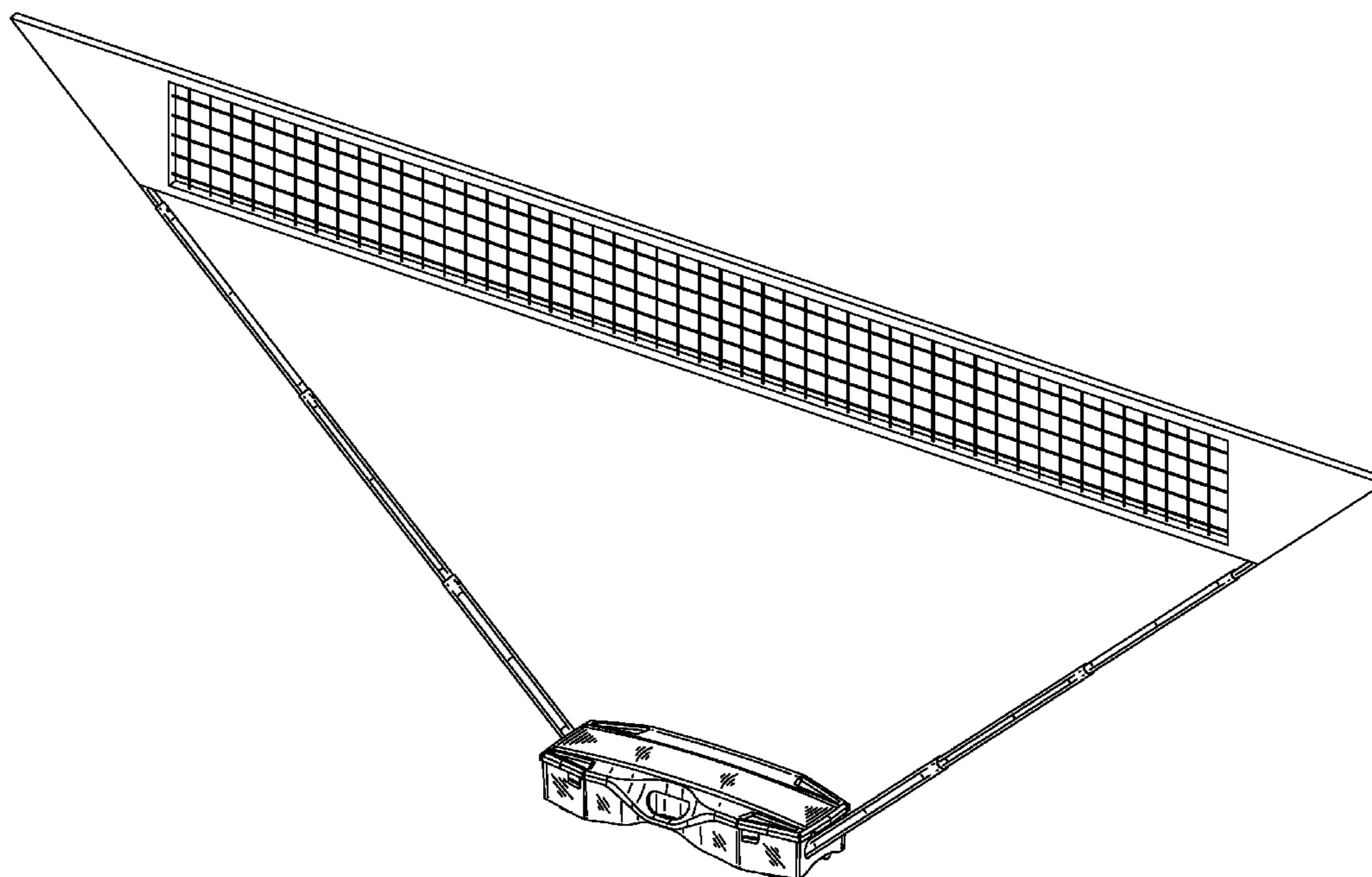
The broken lines are included for the purpose of illustrating the portions of the net for sports that form no part of the claimed design.

1 Claim, 5 Drawing Sheets

(56) **References Cited**

U.S. PATENT DOCUMENTS

277,551	A *	5/1883	Cunningham	473/492
3,815,907	A *	6/1974	Cook	473/436
D240,148	S *	6/1976	Carbonero	D21/799.2
4,010,951	A *	3/1977	Gronlund	473/492
4,357,019	A *	11/1982	Wouters	473/473



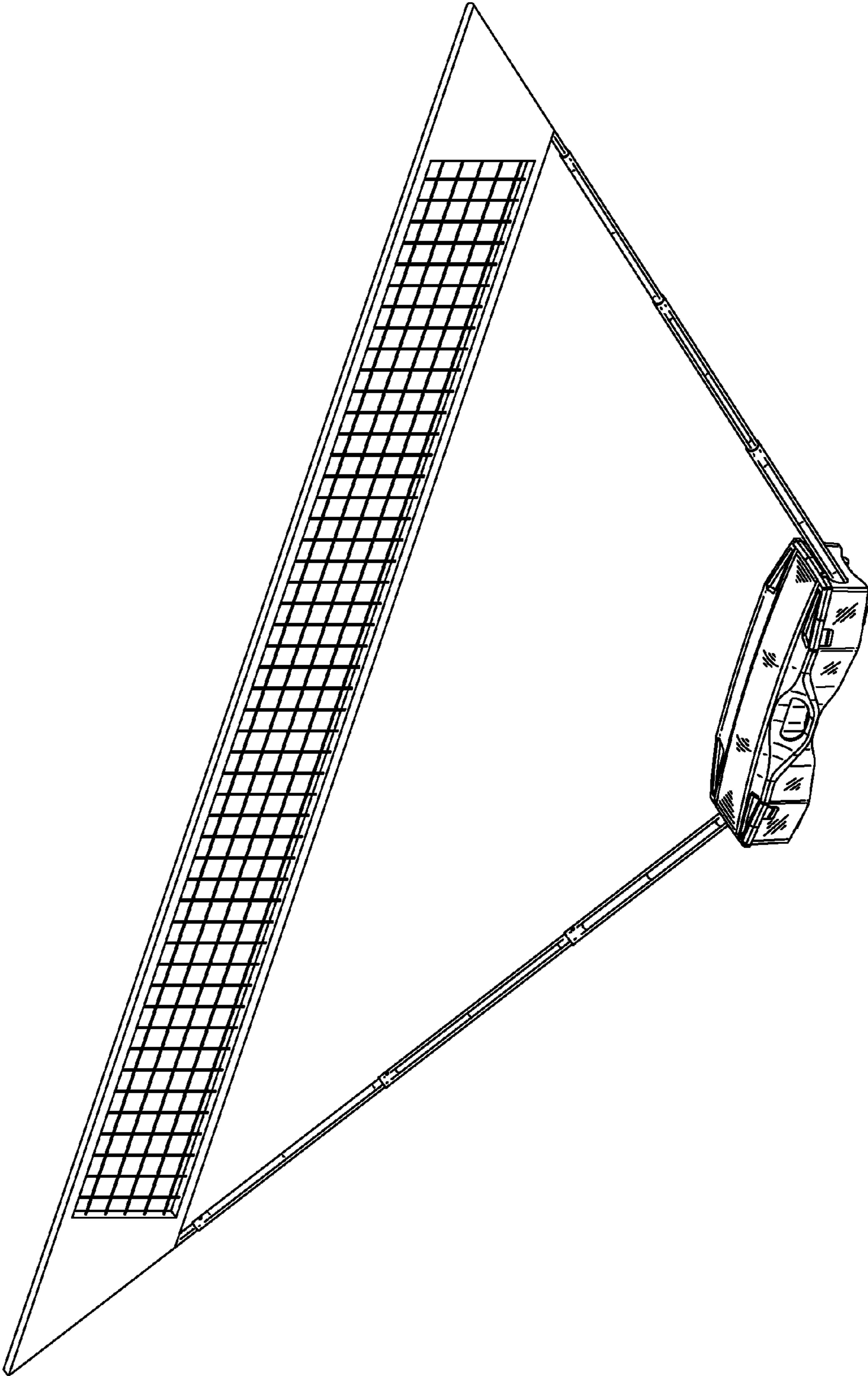


FIG.1

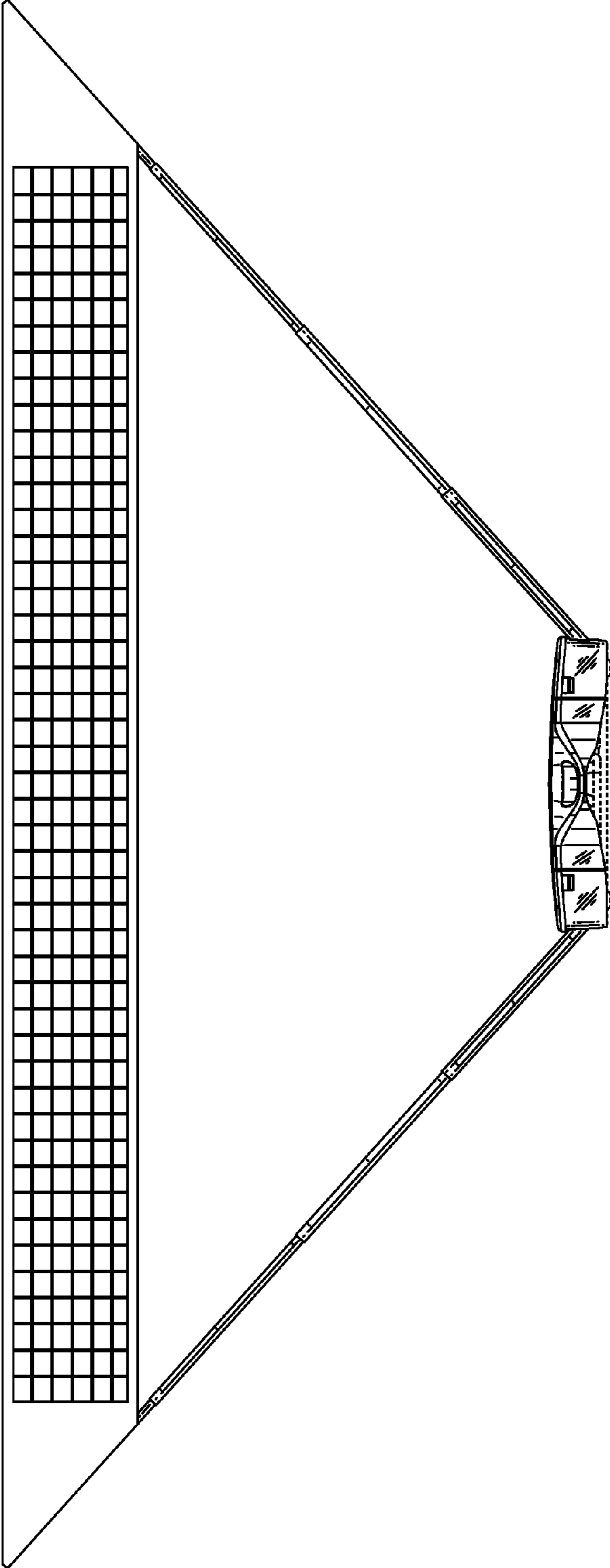


FIG.2

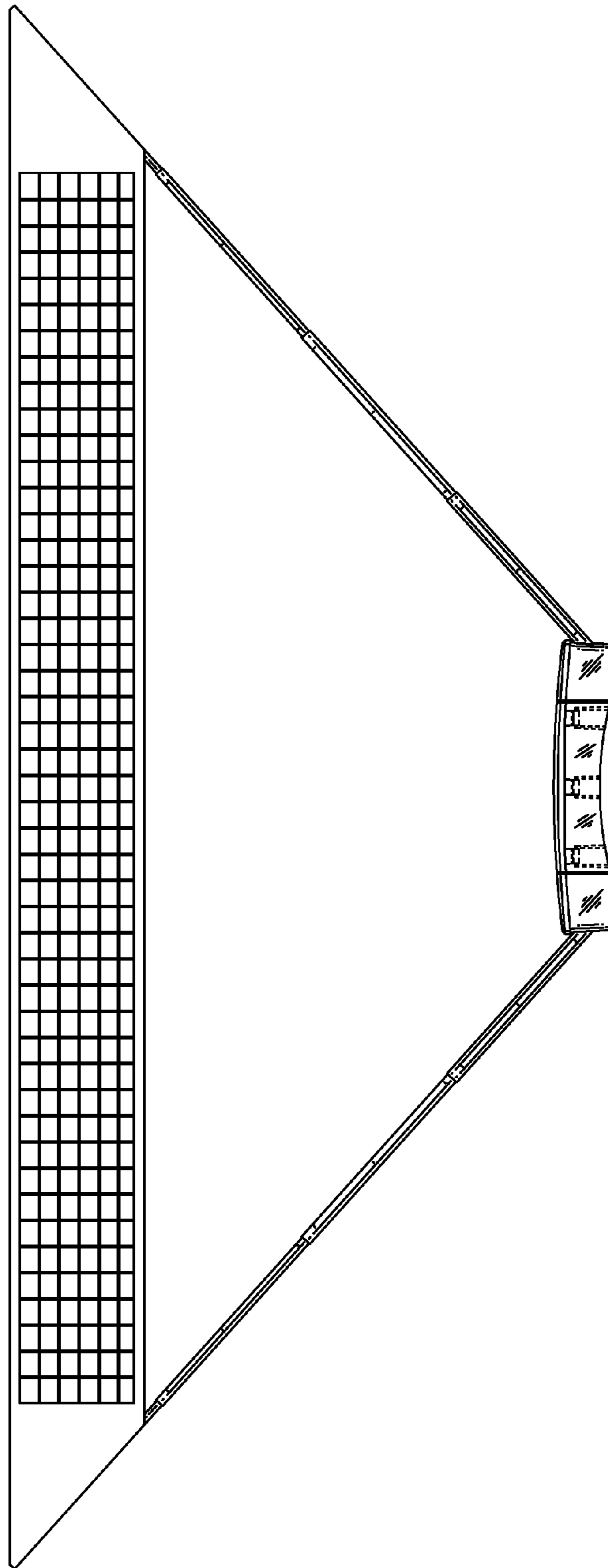


FIG.3

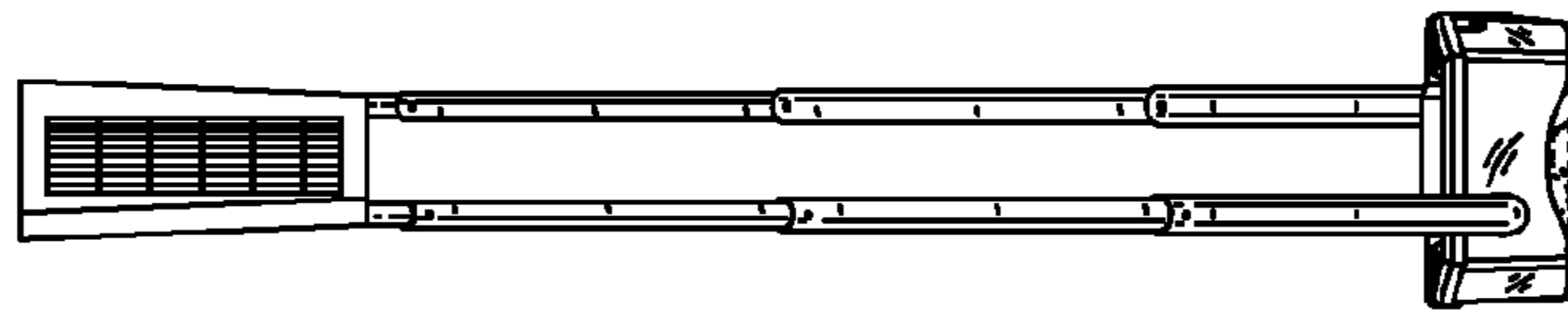


FIG.5

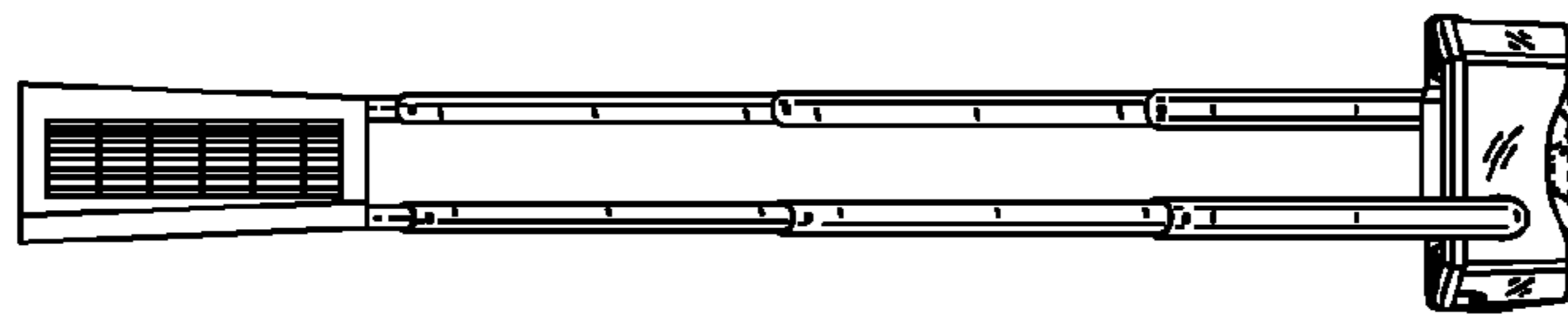


FIG.4

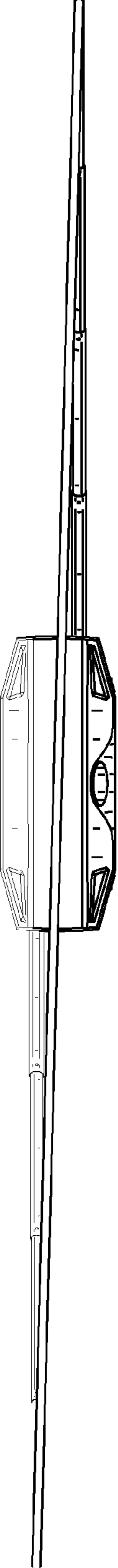


FIG. 6

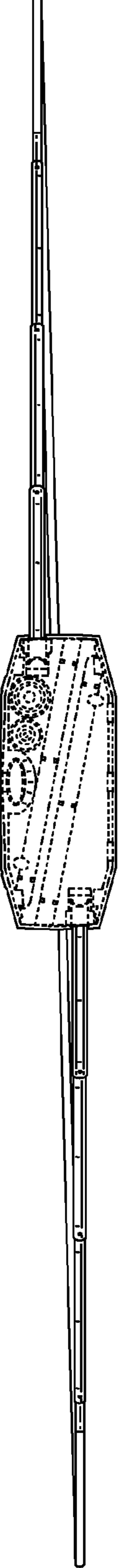


FIG. 7