



US00D722659S

(12) **United States Design Patent**
Matsushita

(10) **Patent No.:** **US D722,659 S**

(45) **Date of Patent:** **** Feb. 17, 2015**

- (54) **FACIAL MUSCLE EXERCISER**
- (71) Applicant: **MTG Co., ltd.**, Nagoya-shi, Aichi-ken (JP)
- (72) Inventor: **Tsuyoshi Matsushita**, Nagoya (JP)
- (73) Assignee: **MTG Co., ltd.**, Nagoya-shi, Aichi-ken (JP)

D486,192	S	*	2/2004	Pointer, Jr.	D21/692
D628,662	S	*	12/2010	Heller	D21/692
D656,621	S	*	3/2012	Matsushita	D24/215
D660,956	S	*	5/2012	Zuyderhoudt	D24/110
D687,962	S	*	8/2013	DiVittorio et al.	D24/215
D699,367	S	*	2/2014	Lee et al.	D24/215
D703,997	S	*	5/2014	Munari	D7/393
D704,825	S	*	5/2014	Flickinger	D24/110
2003/0073542	A1	*	4/2003	Patton	482/10

- (**) Term: **14 Years**
- (21) Appl. No.: **29/453,108**
- (22) Filed: **Apr. 25, 2013**

FOREIGN PATENT DOCUMENTS

JP 1223289 11/2004

* cited by examiner

Primary Examiner — George D Kirschbaum
Assistant Examiner — Jennifer Watkins
(74) *Attorney, Agent, or Firm* — Fish & Richardson P.C.

- (30) **Foreign Application Priority Data**
- Oct. 29, 2012 (JP) 2012-026219
- (51) **LOC (10) Cl.** **21-02**
- (52) **U.S. Cl.**
- USPC **D21/662**
- (58) **Field of Classification Search**
- USPC D21/662, 682, 683; 482/10, 11; D4/211; D24/211-215; 601/114, 120, 601/121, 124, 125, 130, 131, 134, 135-137
- See application file for complete search history.

(57) **CLAIM**
The ornamental design for a facial muscle exerciser, as shown and described.

- (56) **References Cited**
- U.S. PATENT DOCUMENTS**
- 2,469,771 A * 5/1949 Jeppson 607/82
- 2,504,791 A * 4/1950 Baron 606/204.35
- D382,971 S * 8/1997 Haldi D24/211
- 5,788,657 A * 8/1998 Burns 601/134
- D403,076 S * 12/1998 York D24/214
- D403,381 S * 12/1998 Hanna D21/662
- D445,508 S * 7/2001 Gladieux et al. D24/211

DESCRIPTION

FIG. 1 is a front perspective view of a facial muscle exerciser showing my new design;
FIG. 2 is rear perspective view thereof;
FIG. 3 is a front view thereof;
FIG. 4 is a rear view thereof;
FIG. 5 is a top plan view thereof, the bottom plan view being a mirror image of FIG. 5; and,
FIG. 6 is an enlarged right side view thereof, the left side view being a mirror image of FIG. 6.
The portions of a facial muscle exerciser shown in evenly dashed broken line depict portions of the article which form no part of the claimed design. The dot-dashed lines denote the boundaries of the claimed design and form no part thereof.

1 Claim, 6 Drawing Sheets

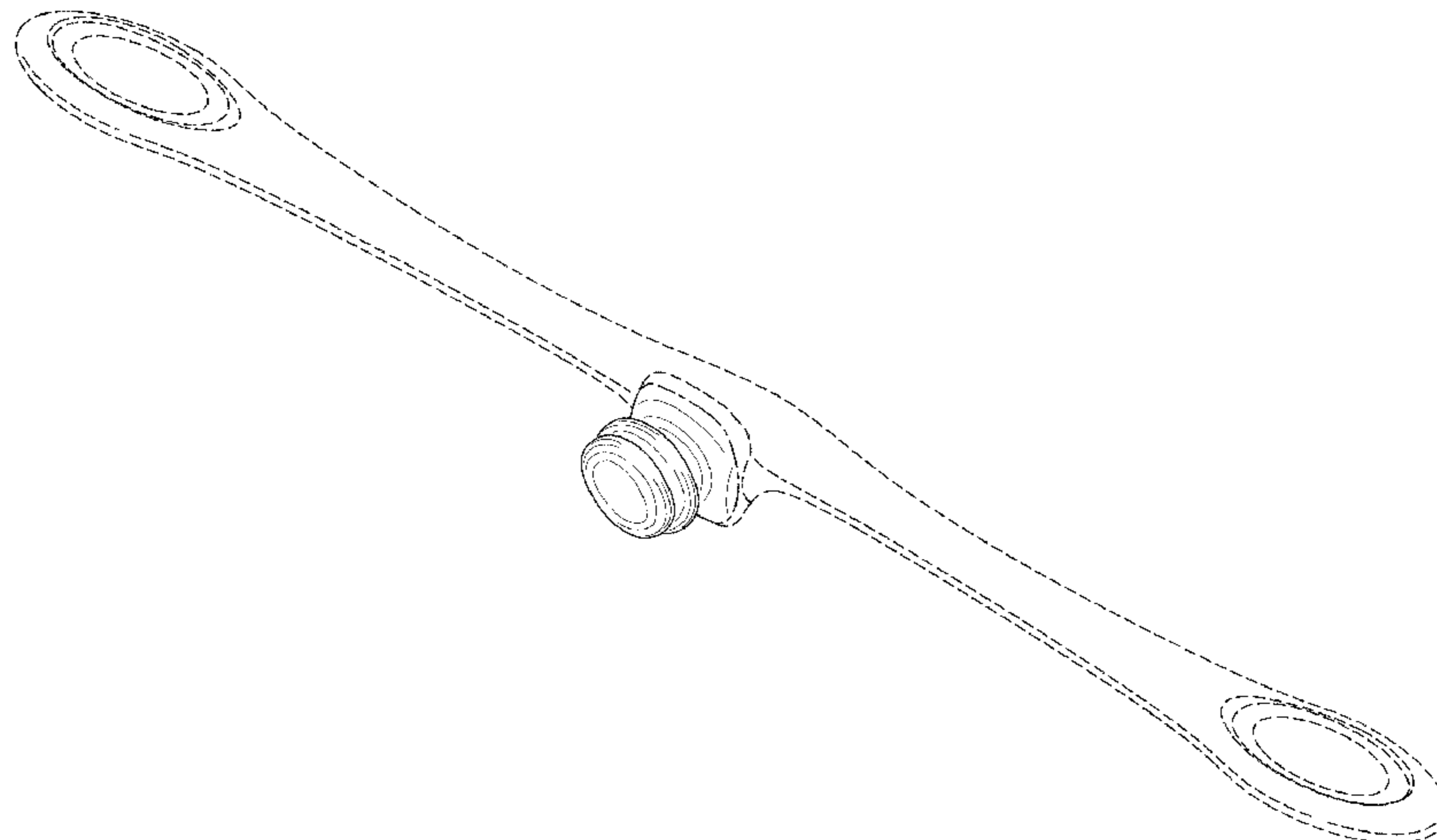


FIG. 1

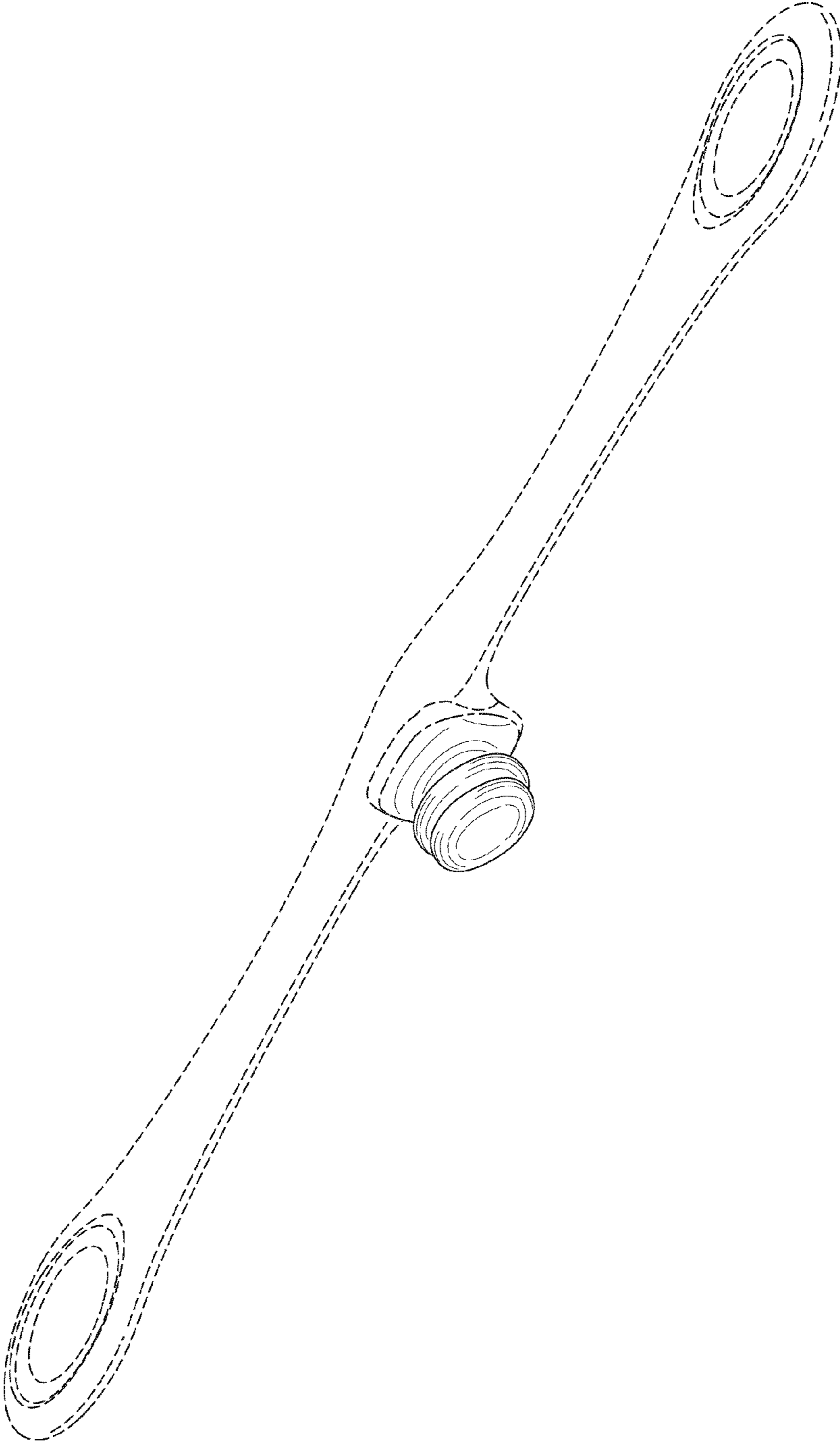


FIG. 2

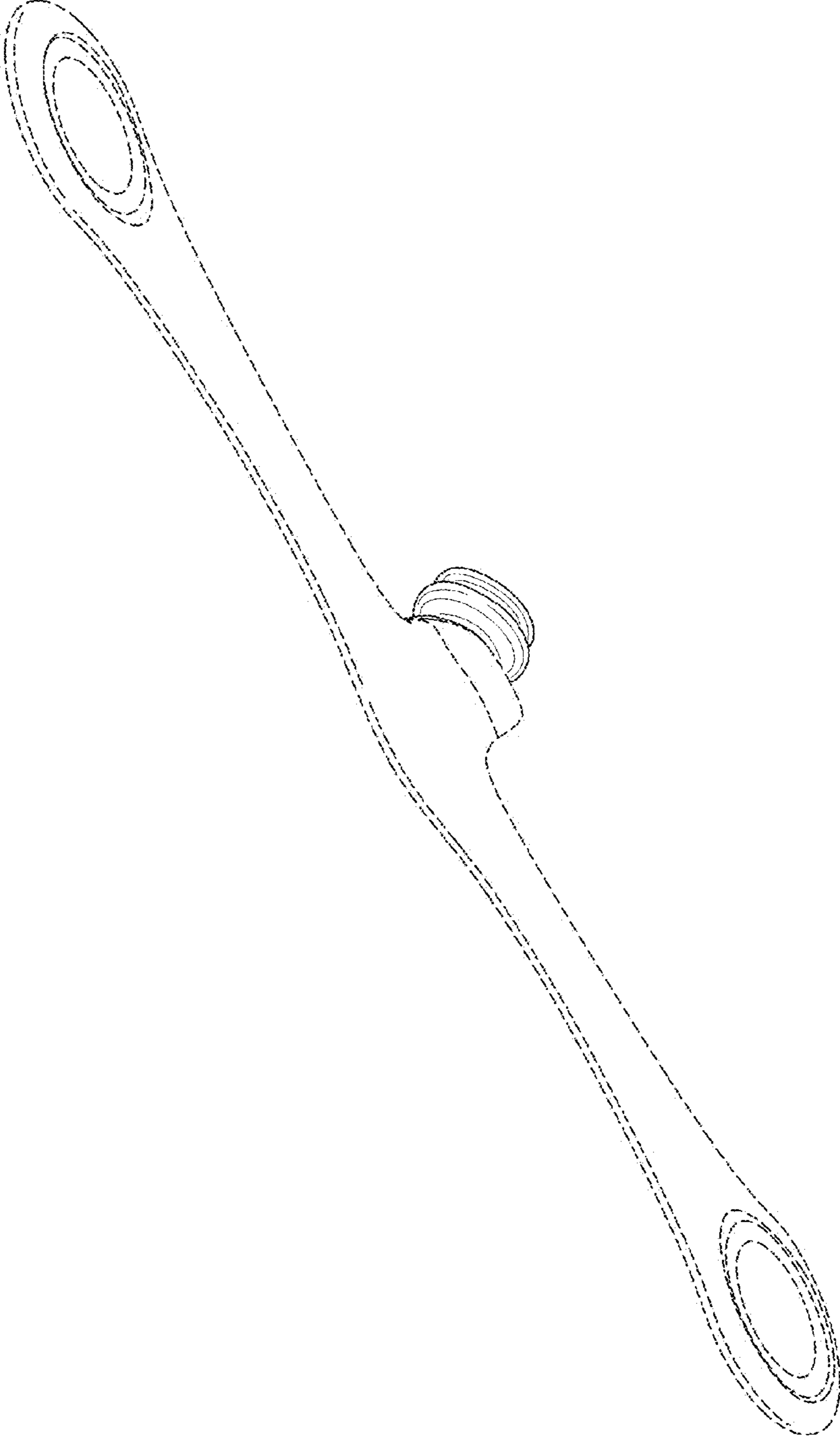


FIG. 3



FIG. 4

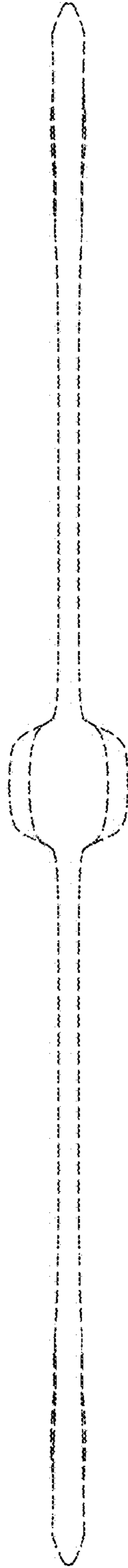


FIG. 5

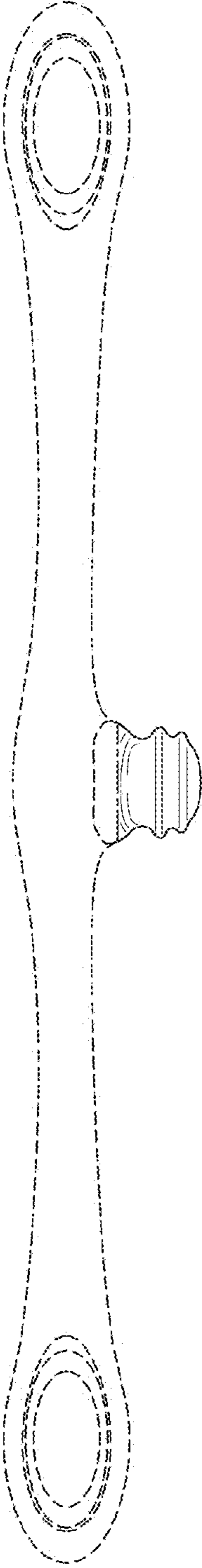


FIG. 6

