

US00D722654S

(12) **United States Design Patent**
Martone

(10) **Patent No.:** **US D722,654 S**

(45) **Date of Patent:** **** Feb. 17, 2015**

(54) **PYRAMID SAND MOLD**

(76) **Inventor:** **Gunnar Martone**, Honesdale, PA (US)

(**) **Term:** **14 Years**

(21) **Appl. No.:** **29/390,358**

(22) **Filed:** **Apr. 22, 2011**

(51) **LOC (10) Cl.** **21-01**

(52) **U.S. Cl.**
USPC **D21/472**

(58) **Field of Classification Search**

USPC D21/335-338, 350, 468, 472, 478, 479,
D21/480, 483, 490, 493, 494, 505, 506, 507,
D21/510, 511, 815, 816, 827, 834-838;
D3/21, 271.1, 271.6, 294; D6/329,
D6/332, 396, 397, 420, 429, 434, 440, 443,
D6/445, 446, 450, 451, 454, 455, 471, 475,
D6/497, 512, 526, 534, 539; D7/539, 540,
D7/593, 594, 599, 600.1, 604-610, 613,
D7/615, 619.2, 624.1-625, 628-630, 636,
D7/639, 640, 672, 674, 675, 677, 389,
D7/396.1; D9/600, 636, 638, 640, 529,
D9/560, 414, 418, 420, 421, 431, 434, 435,
D9/444, 451; D11/131, 125, 130.1, 131.1,
D11/142, 145, 149, 157; D15/90, 135, 136;
D19/75, 77, 80, 82, 95-97; D23/206,
D23/386, 410; D25/7, 14, 16, 22, 26, 48.4,
D25/48.8; D26/6, 7, 16, 57, 94, 95, 118,
D26/125, 135; D27/106, 117, 178, 188,
D27/190, 192; D30/102, 111, 112; D32/36,
D32/37; D34/1, 4, 8, 11; D99/28, 30, 34,
D99/41, 99; 229/116, 922; 220/4.21-4.24,
220/4.29, 4.33, 4.34, 6, 7, 23.91, 244, 315,
220/324, 810, 822, 826, 845, 62.13, 62.14,
220/623, 625, 660, 666, 669, 677, 690-693,
220/DIG. 8, DIG. 13

See application file for complete search history.

(56) **References Cited**

U.S. PATENT DOCUMENTS

490,680	A *	1/1893	Roberts	229/116
994,643	A *	6/1911	Johnson	249/180
1,389,817	A *	9/1921	Deal	249/156
1,597,757	A *	8/1926	Berger	229/210
1,610,121	A	12/1926	Dickenson		
1,639,934	A	8/1927	Ferring		
1,889,002	A *	11/1932	Palicki	211/113
2,023,478	A *	12/1935	Kremer	99/358

(Continued)

FOREIGN PATENT DOCUMENTS

JP		2005109161	A *	4/2005
WO		D038124-001	*	1/1997
WO		D067320-003	*	2/2006

Primary Examiner — Catherine Tuttle

(74) *Attorney, Agent, or Firm* — QuickPatents; Kevin Prince

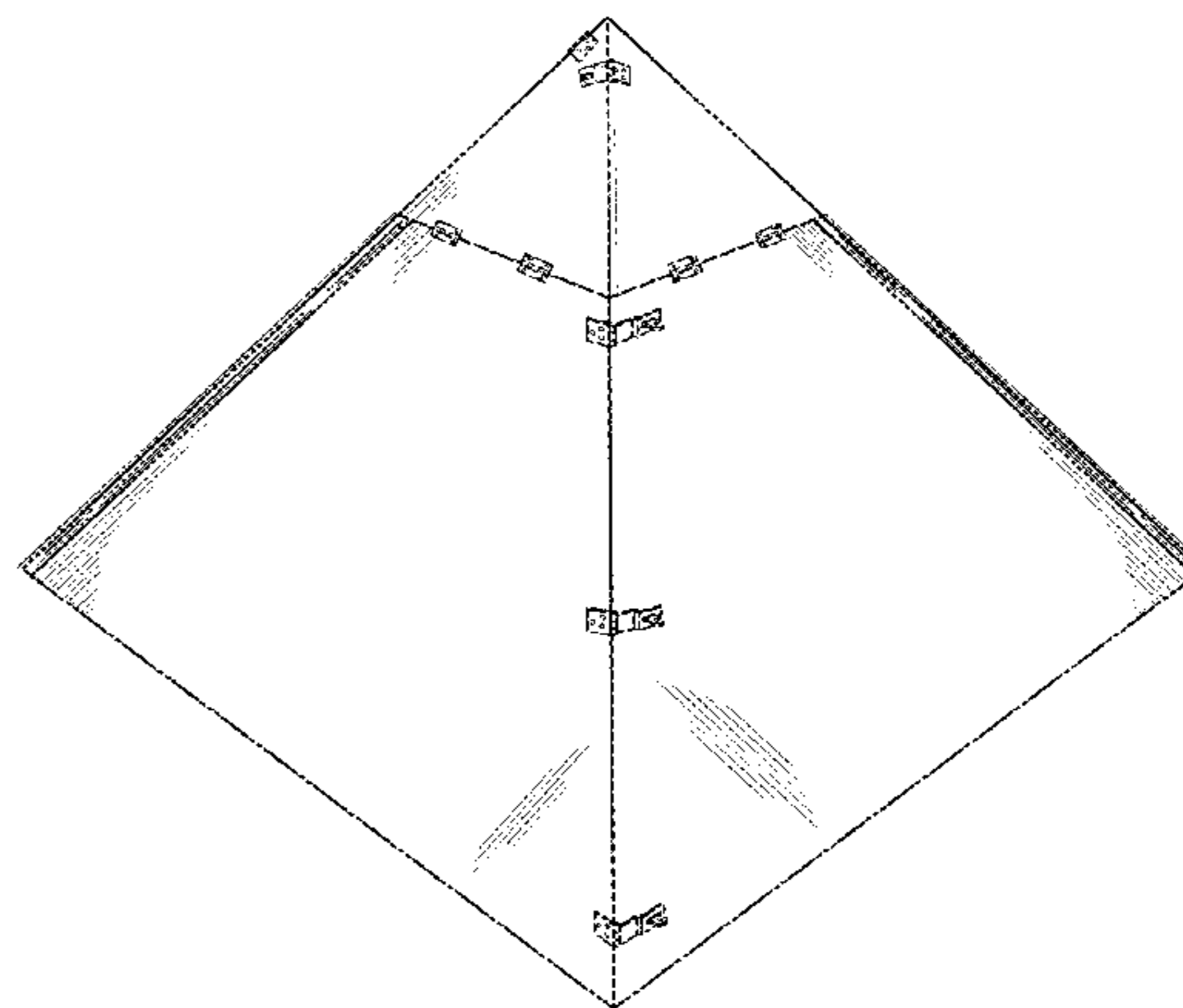
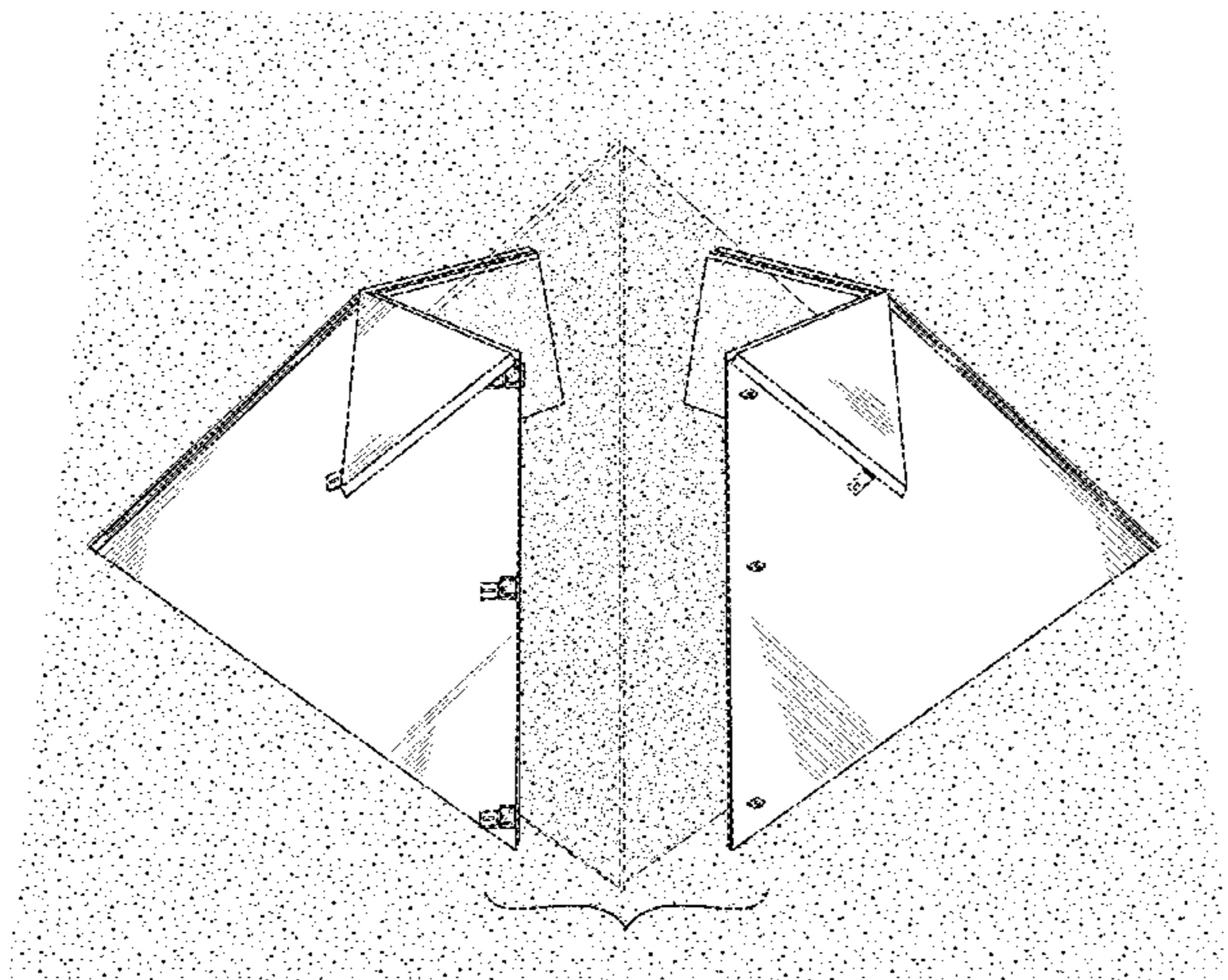
(57) **CLAIM**

I claim the ornamental design for a pyramid sand mold, as shown and described.

DESCRIPTION

FIG. 1 is an exploded perspective view of a pyramid sand mold, showing my new design in a disassembled position; FIG. 2 is a perspective view thereof, illustrated in an assembled position; FIG. 3 is a front elevational view of FIG. 2; FIG. 4 is a rear elevational view of FIG. 2; FIG. 5 is a left-side elevational view of FIG. 2; FIG. 6 is a right-side elevational view of FIG. 2; FIG. 7 is a top plan view of FIG. 2; and, FIG. 8 is a bottom plan view of FIG. 2. The stippled shading showing sand in FIG. 1 depicts environmental matter and forms no part of the claimed design.

1 Claim, 6 Drawing Sheets



(56)

References Cited

U.S. PATENT DOCUMENTS

2,151,066	A *	3/1939	Anderson	434/403	4,462,145	A *	7/1984	Schulze	29/428
2,771,260	A *	11/1956	Thom	248/524	D276,248	S	11/1984	Gauldin		
3,290,198	A *	12/1966	Lux et al.	156/198	4,815,998	A *	3/1989	McGuire	446/8
D220,048	S	3/1971	Reading			D322,292	S	12/1991	Blackwell, III		
D246,064	S	10/1977	Koblick			D380,388	S *	7/1997	Rowe	D9/636
D268,037	S	2/1983	Wiseltier et al.			D380,538	S *	7/1997	Muller et al.	D23/367
D271,593	S	11/1983	Stone et al.			5,895,304	A	4/1999	Dixon		
D271,988	S	12/1983	Rivollet			D431,760	S	10/2000	Sullivan		
4,426,801	A *	1/1984	Gates	40/610	D470,897	S *	2/2003	Morgan	D21/335
						6,732,880	B1 *	5/2004	Nash, Sr.	220/495.06
						2008/0197265	A1 *	8/2008	Taufield	249/160
						2010/0285250	A1 *	11/2010	Rogers	428/35.7

* cited by examiner

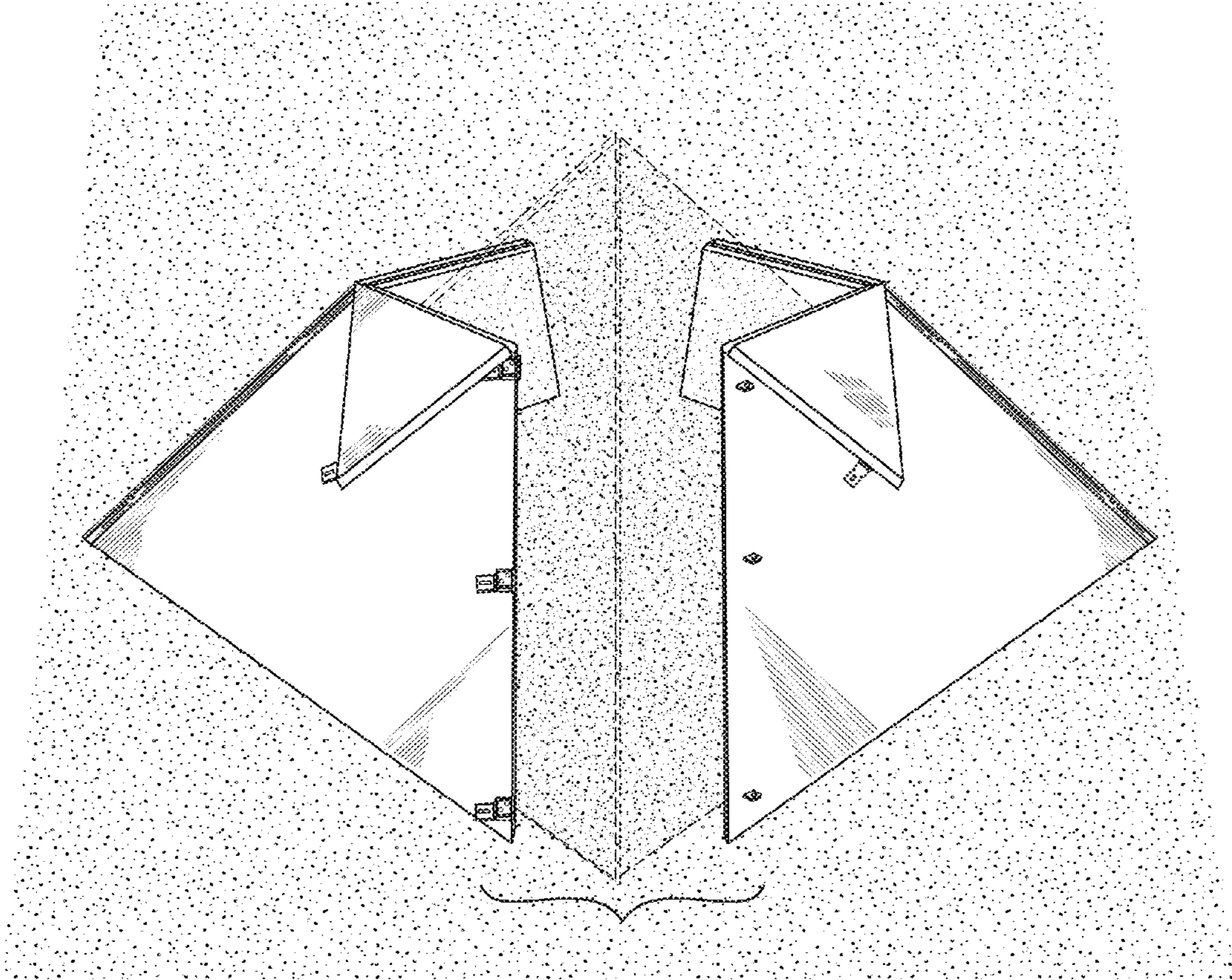


FIG. 1

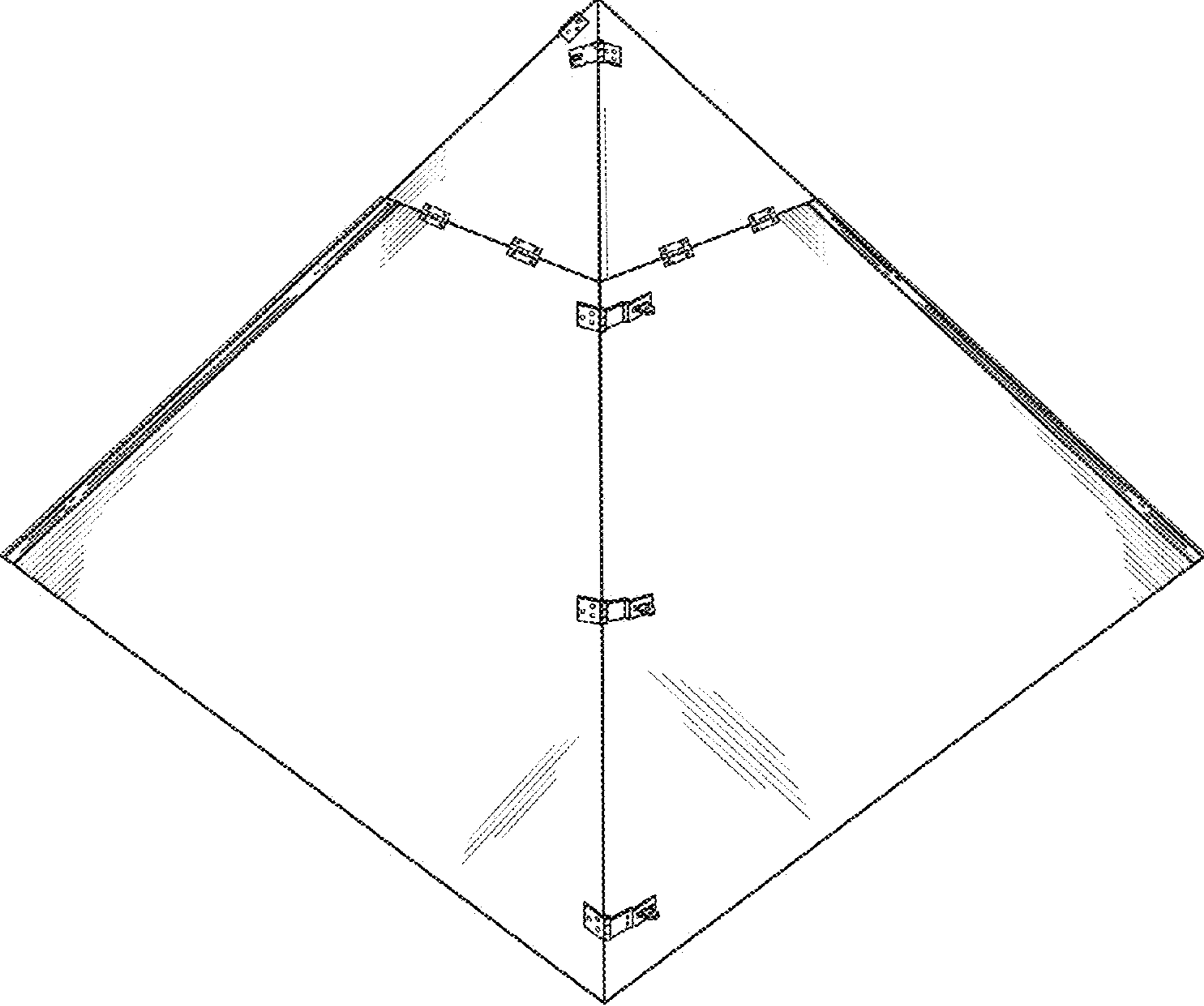


FIG. 2

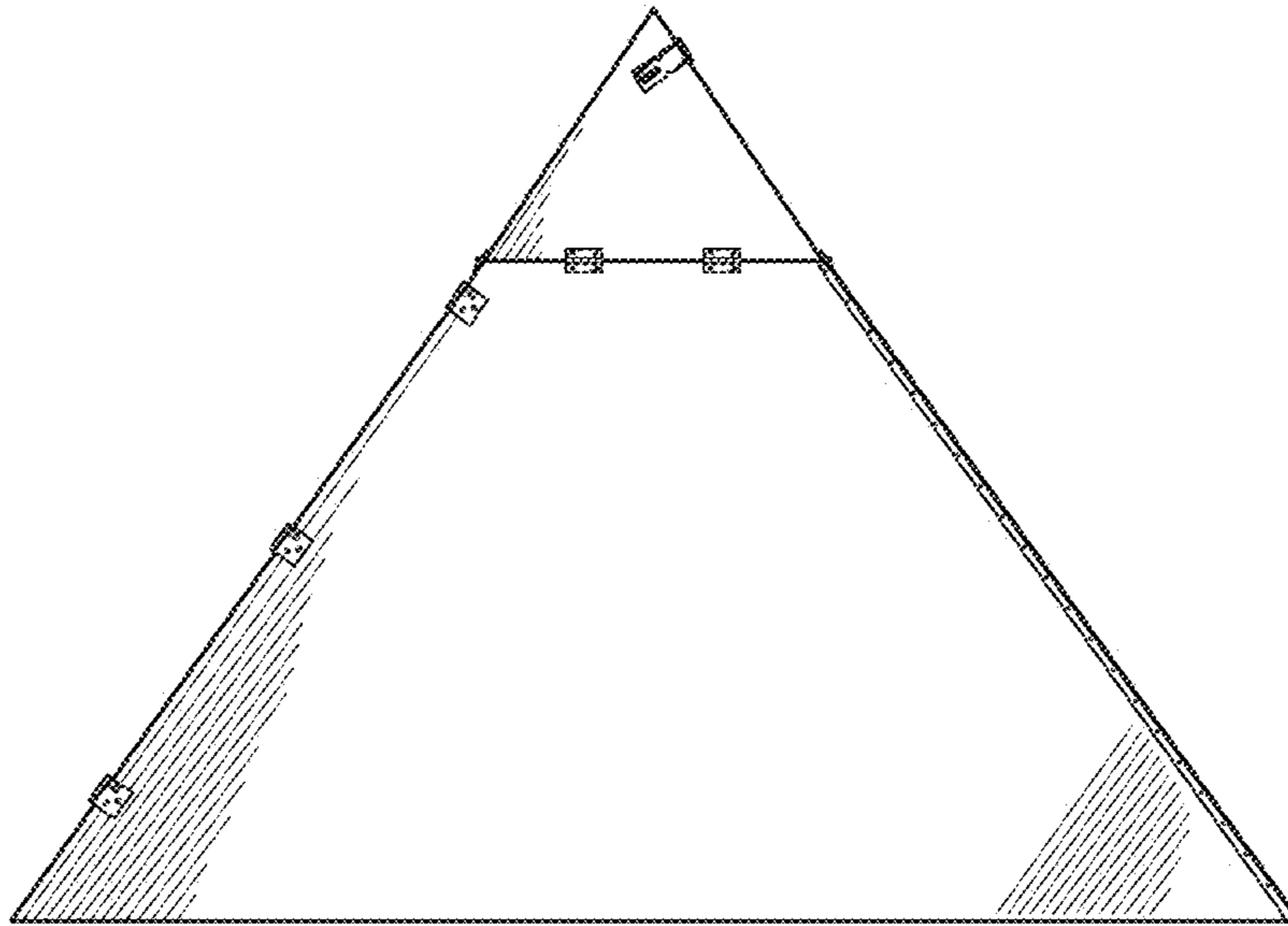


FIG. 3

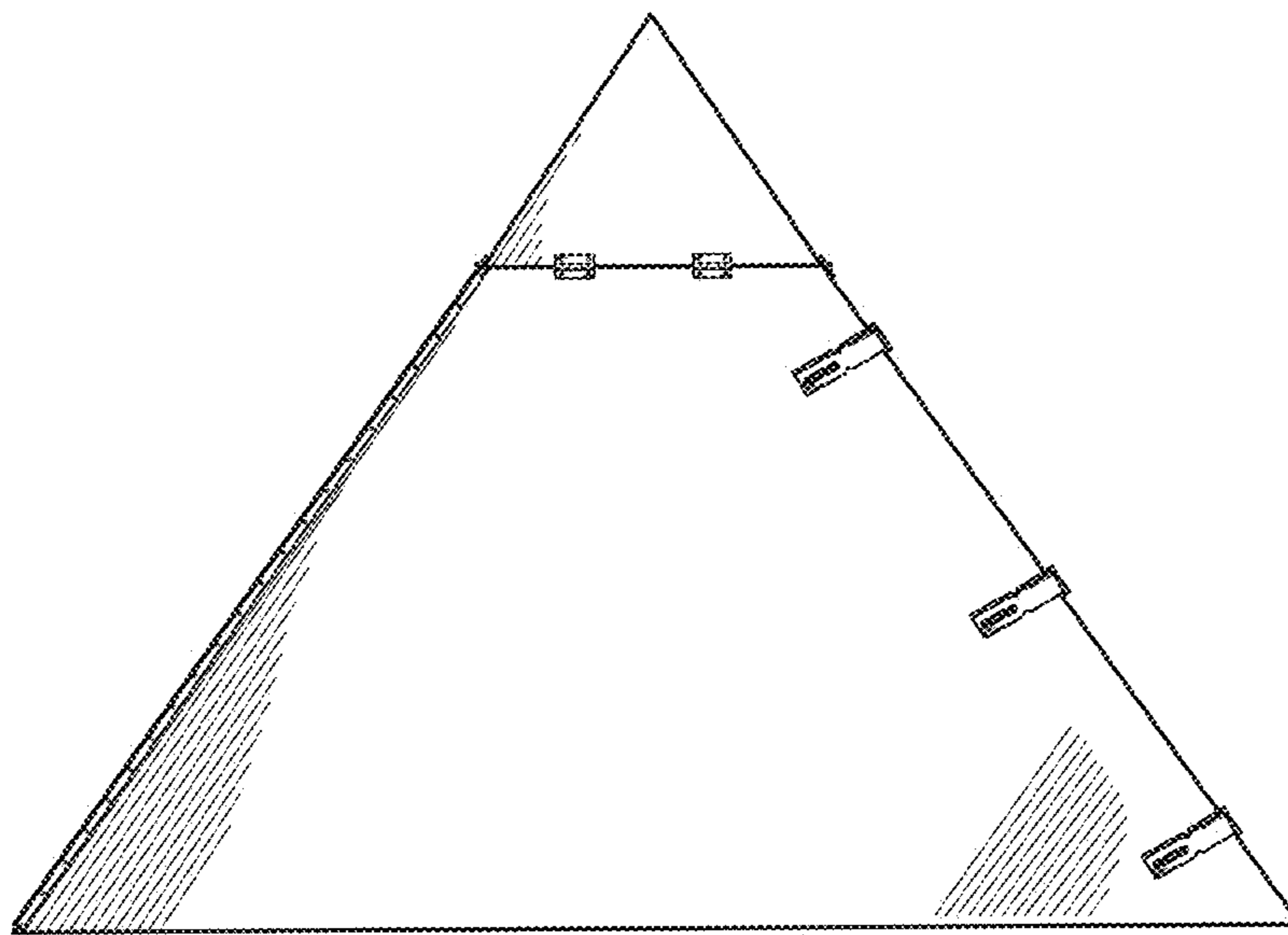


FIG. 4

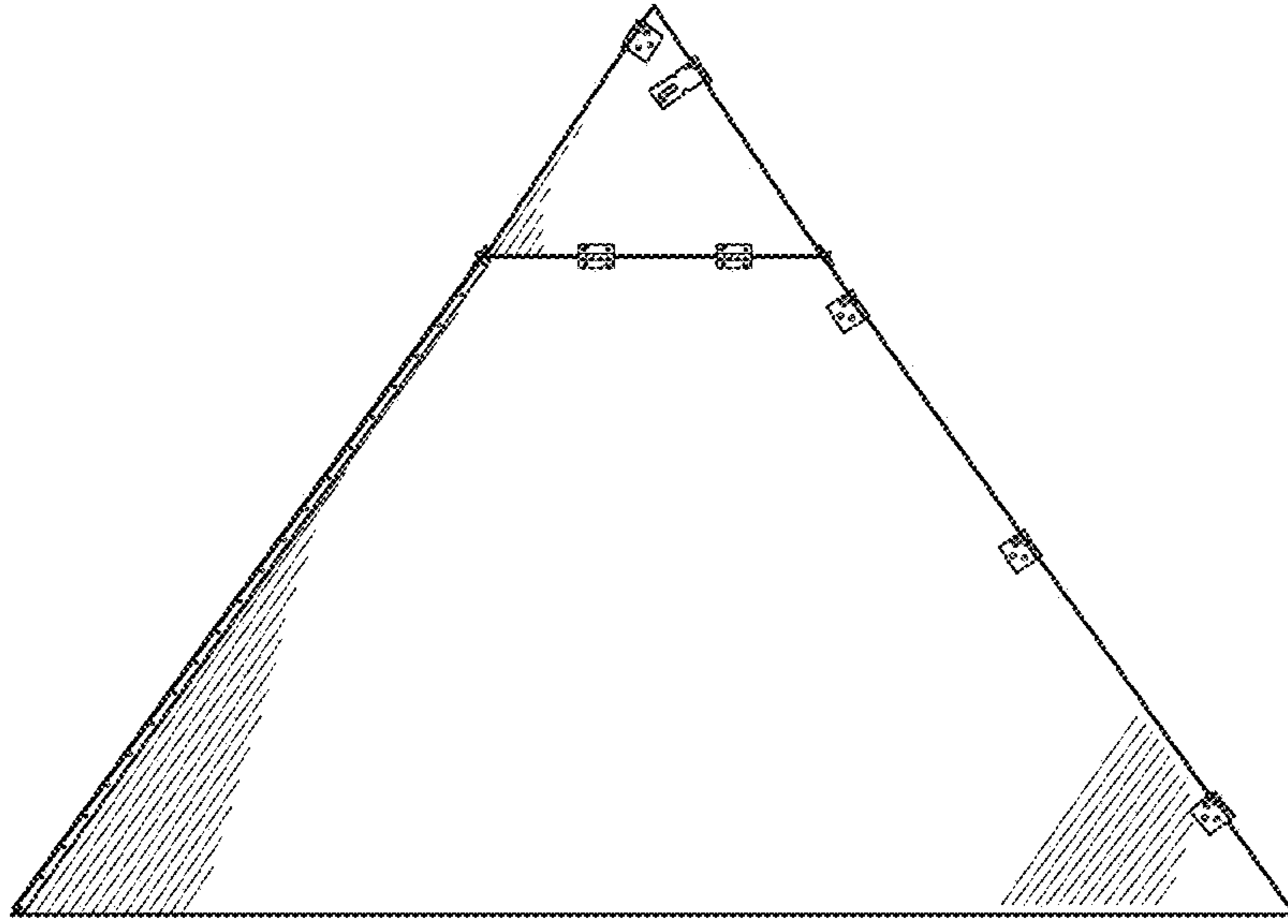


FIG. 5

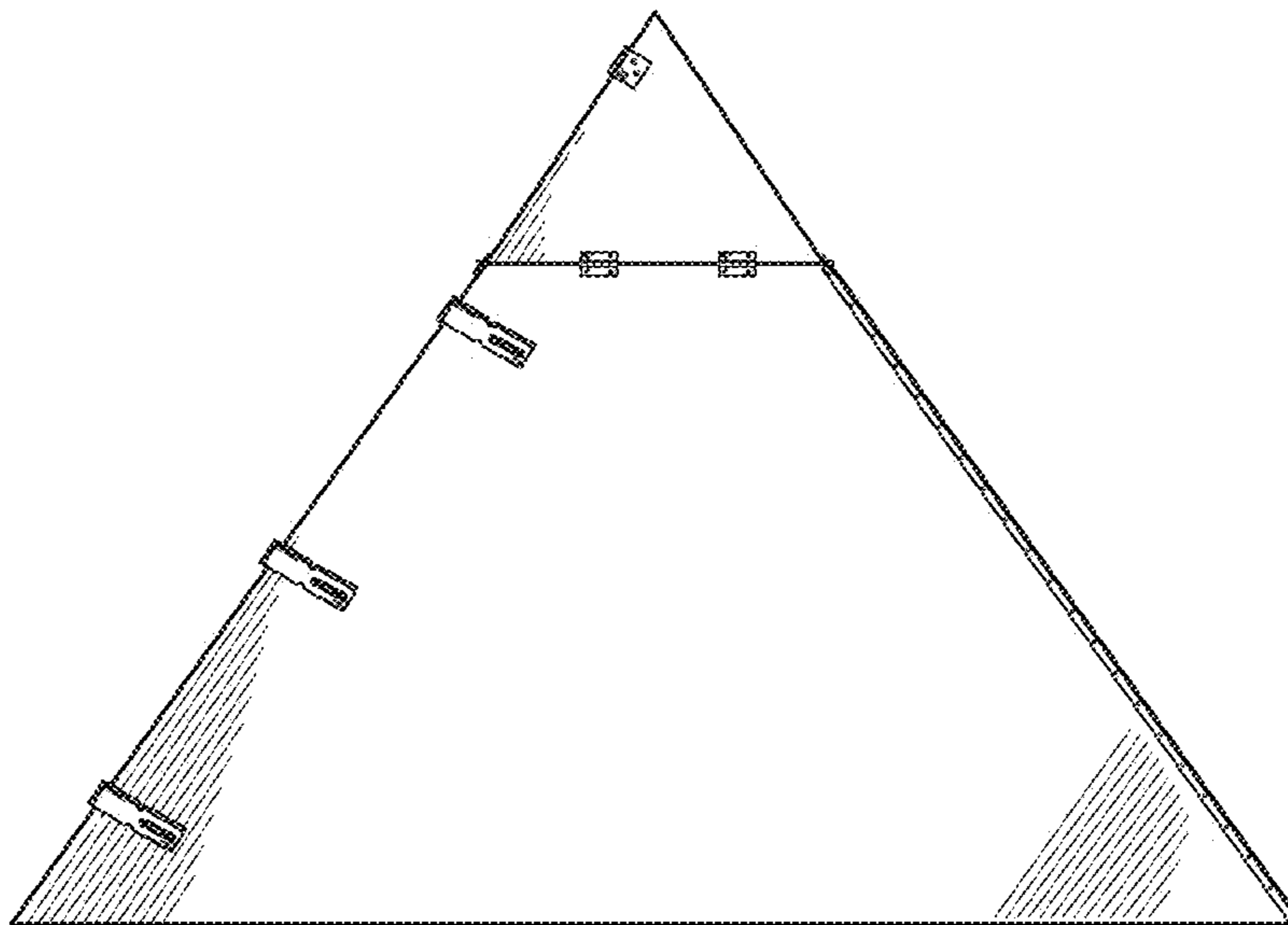


FIG. 6

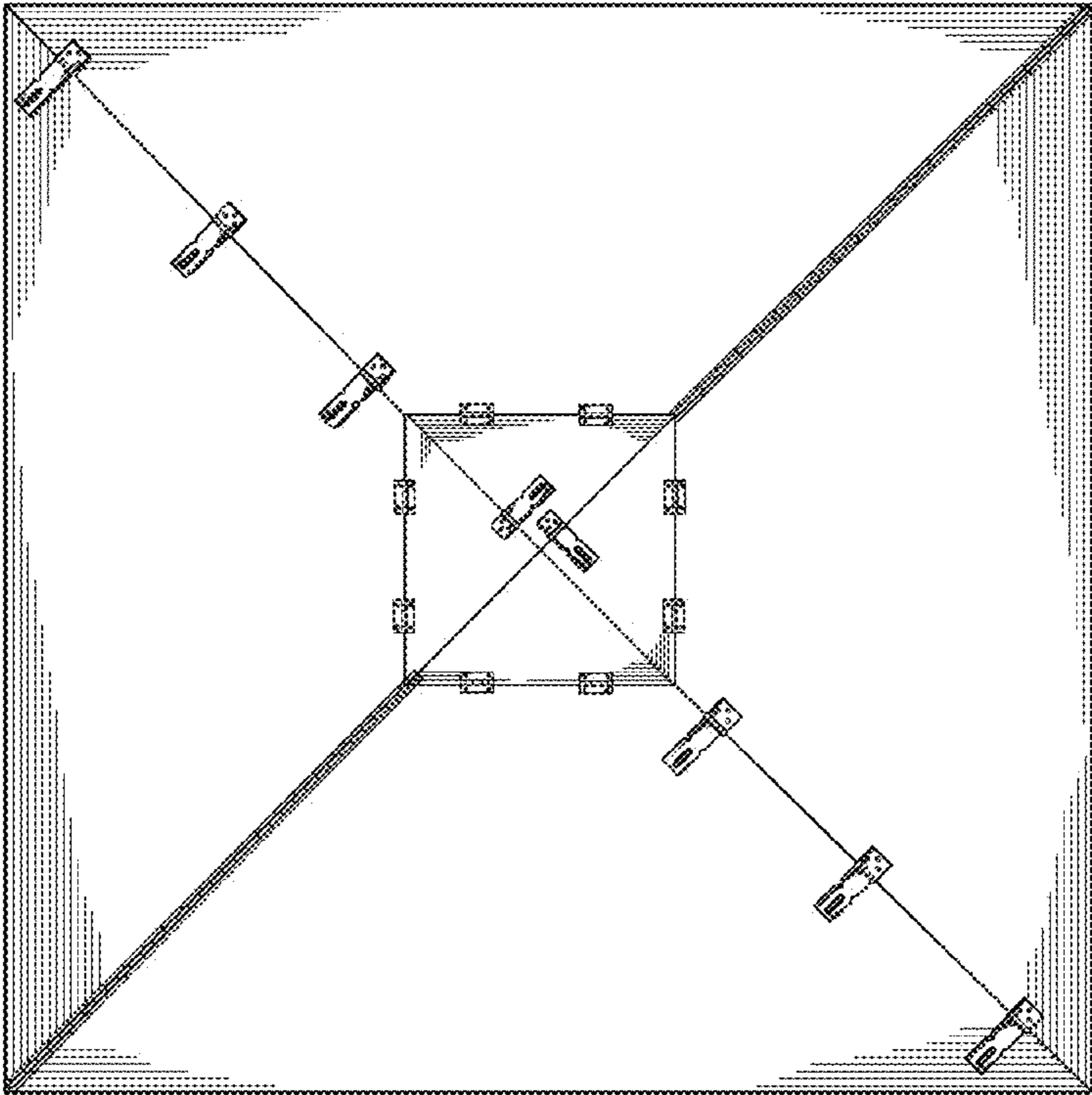


FIG. 7

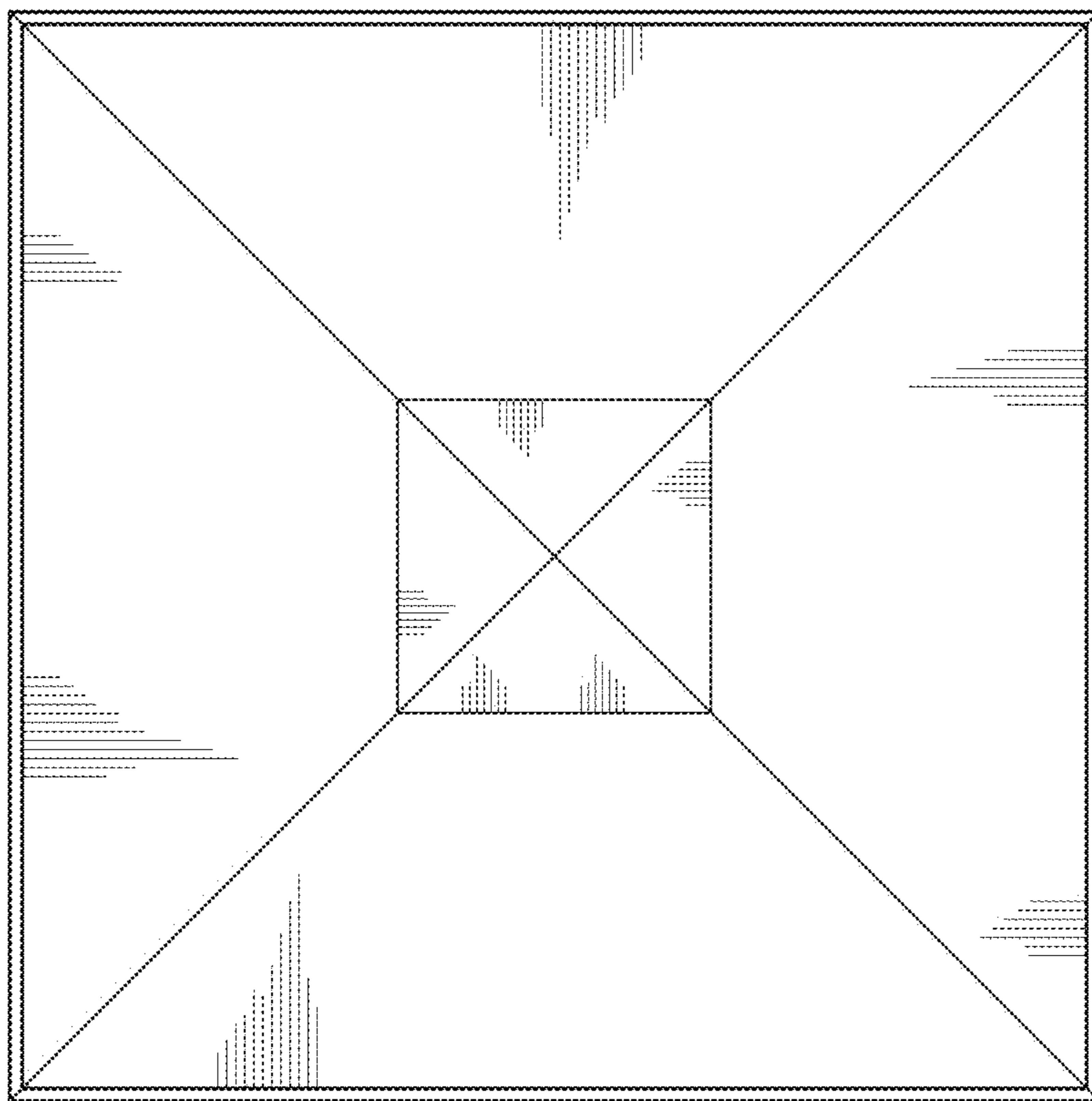


FIG. 8