



US00D722653S

(12) **United States Design Patent**
Nishizawa et al.

(10) **Patent No.:** **US D722,653 S**
(45) **Date of Patent:** **** Feb. 17, 2015**

(54) **TOY BELT**

(71) Applicant: **Bandai Co., Ltd.**, Tokyo (JP)

(72) Inventors: **Kiyoto Nishizawa**, Tokyo (JP); **Osamu Abe**, Tokyo (JP); **Akira Onodera**, Tokyo (JP)

(73) Assignee: **Bandai Co., Ltd.**, Tokyo (JP)

(**) Term: **14 Years**

(21) Appl. No.: **29/440,352**

(22) Filed: **Dec. 20, 2012**

(30) **Foreign Application Priority Data**

Jun. 20, 2012 (JP) 2012-014667

(51) **LOC (10) Cl.** **21-01**

(52) **U.S. Cl.**
USPC **D21/398**

(58) **Field of Classification Search**

USPC D21/398, 405, 465, 468, 475-477, 483,
D21/513, 516, 532, 567, 578, 679-584,
D21/585; D2/627-638; D11/200, 201, 232,
D11/233, 238, 239, 2-5; D10/31-35;
446/26, 28, 71-73, 76, 81, 227, 397,
446/404, 473, 484, 487, 489, 491

See application file for complete search history.

(56) **References Cited**

U.S. PATENT DOCUMENTS

D135,206 S * 3/1943 Minors D2/632
4,571,199 A * 2/1986 Murakami 446/73

D284,357 S * 6/1986 Nakane D10/33
D284,453 S * 7/1986 Nakane D10/33
D287,574 S * 1/1987 Nakane D10/33
D288,343 S * 2/1987 Ogawa D21/531
D291,973 S * 9/1987 Doi D10/33
4,897,826 A * 1/1990 Rigberg et al. 368/282
D390,478 S * 2/1998 Brzezinski D10/32
D654,961 S * 2/2012 Onodera et al. D21/398
D709,967 S * 7/2014 Takahashi et al. D21/579

FOREIGN PATENT DOCUMENTS

CN 301218985 * 5/2010
CN 301581900 * 6/2011
CN 301915459 * 5/2012
JP D1312349 * 10/2007

* cited by examiner

Primary Examiner — Catherine Tuttle

(74) *Attorney, Agent, or Firm* — Rabin & Berdo, P.C.

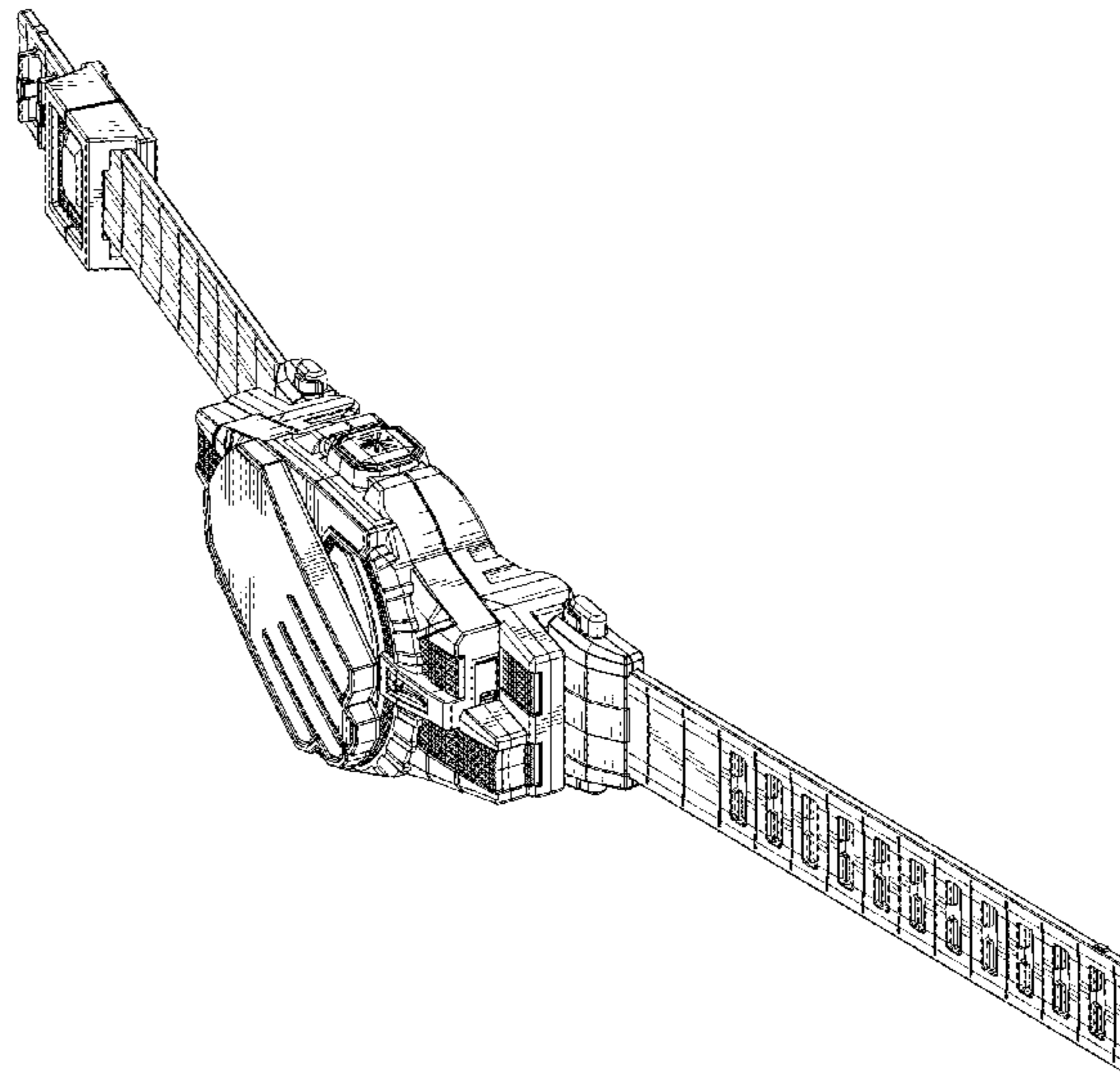
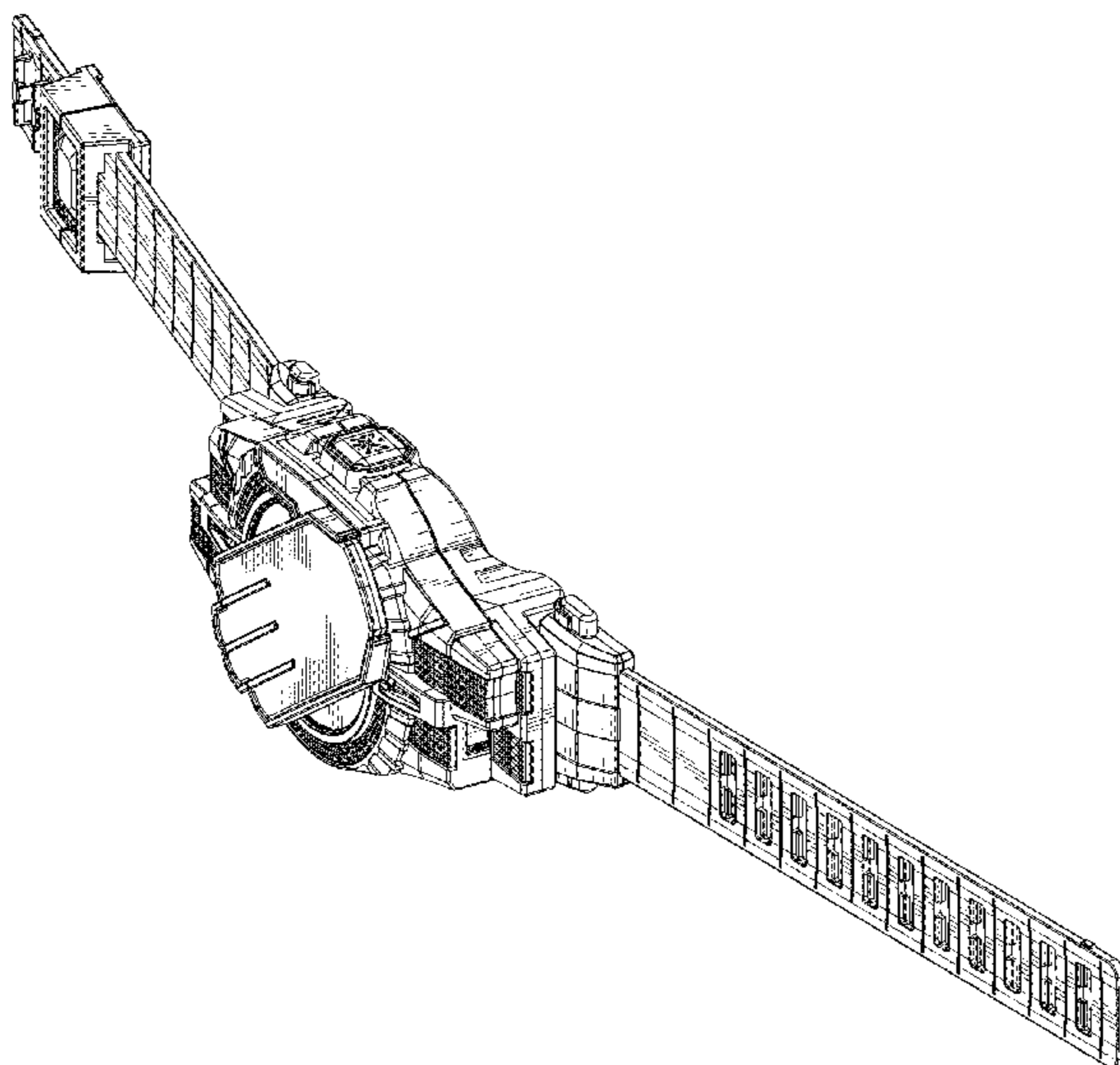
(57) **CLAIM**

The ornamental design for a toy belt, as shown and described.

DESCRIPTION

FIG. 1 is a top front perspective view of the toy belt showing our new design;
FIG. 2 is a top rear perspective view thereof;
FIG. 3 is a front view thereof;
FIG. 4 is a rear view thereof;
FIG. 5 is a top view thereof;
FIG. 6 is a bottom view thereof;
FIG. 7 is a right side view thereof;
FIG. 8 is a left side view thereof;
FIG. 9 is a top front perspective view showing the design in its reconfigured state; and,
FIG. 10 is a front view of FIG. 9.

1 Claim, 8 Drawing Sheets



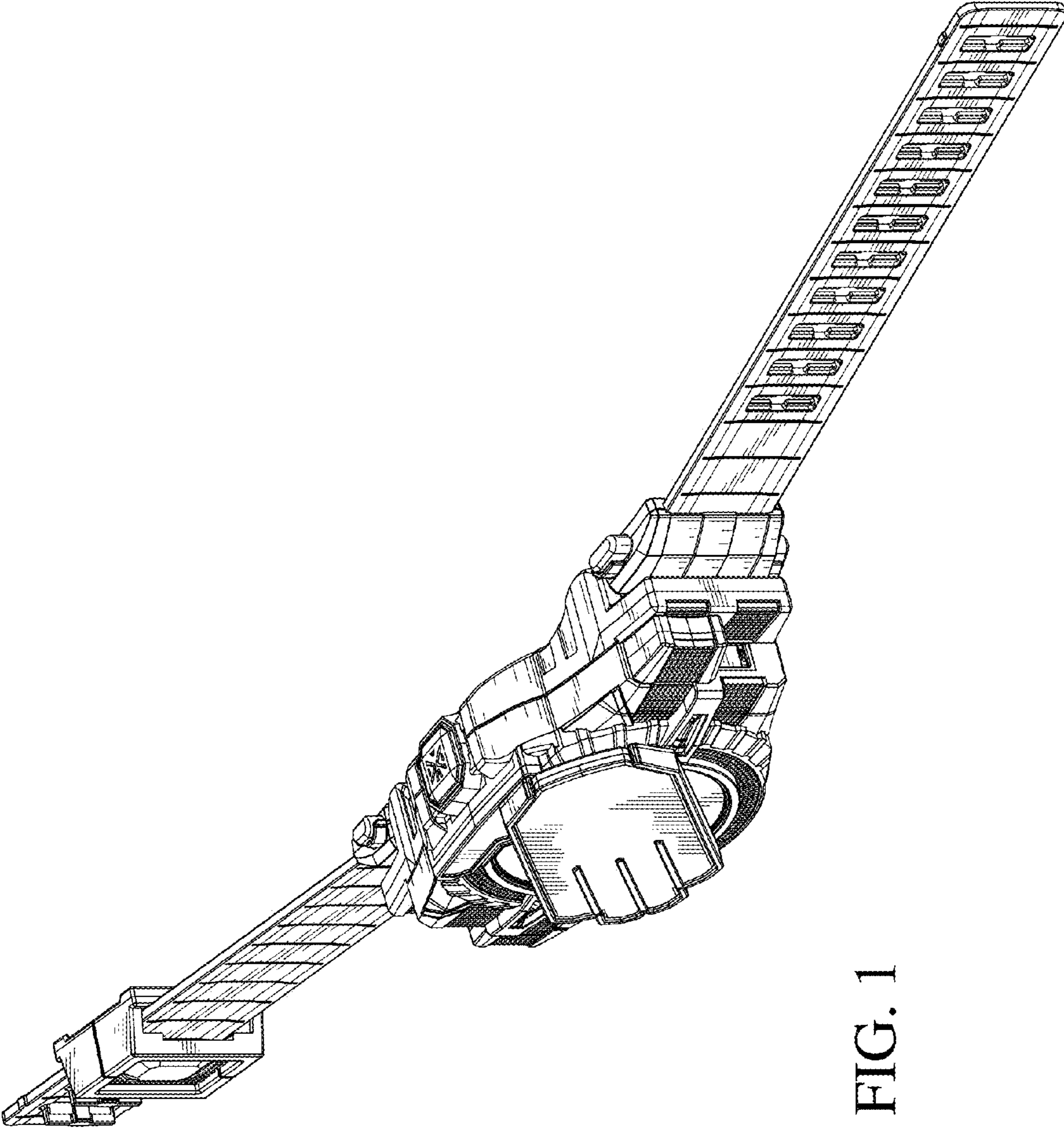


FIG. 1

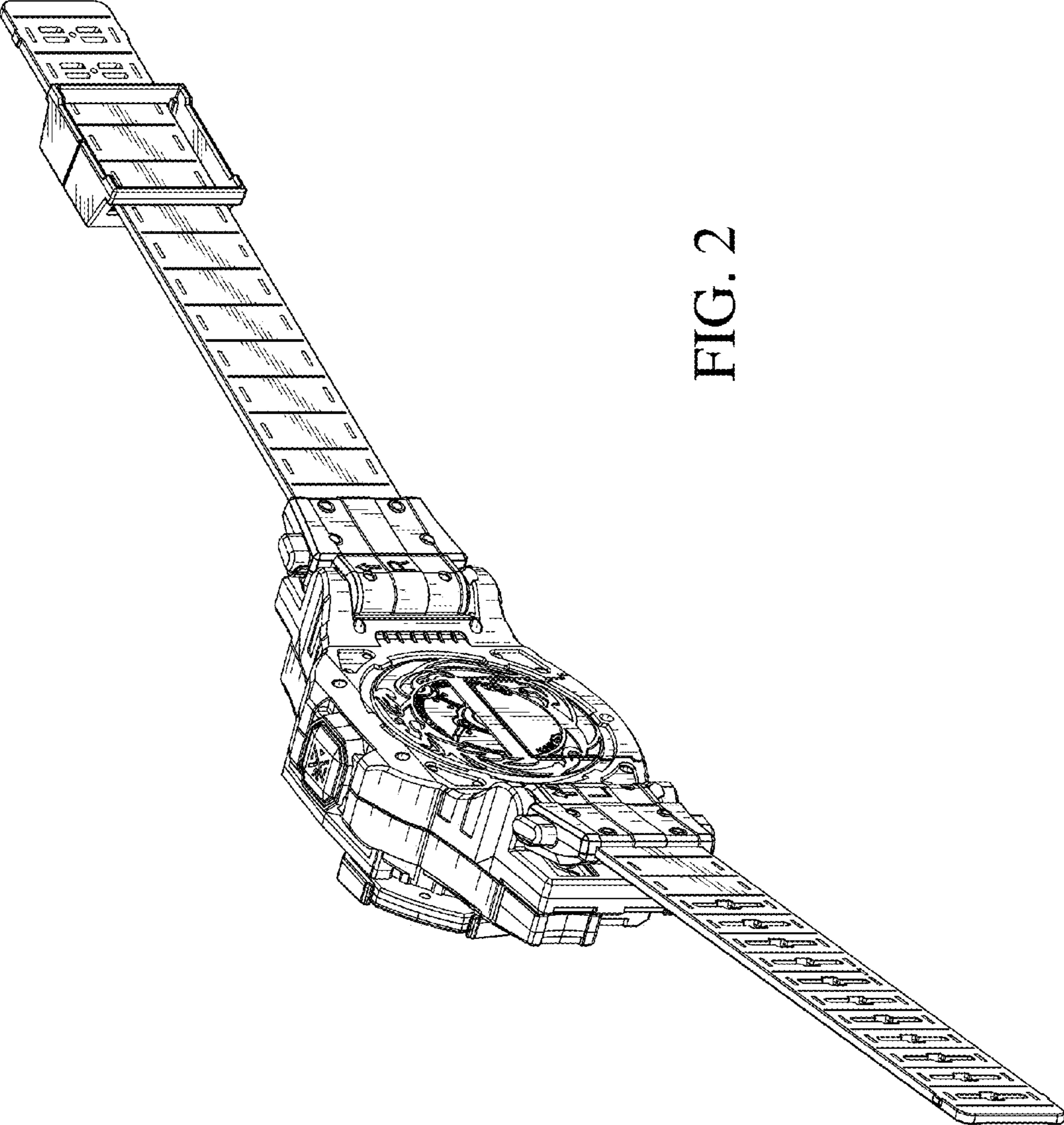


FIG. 2

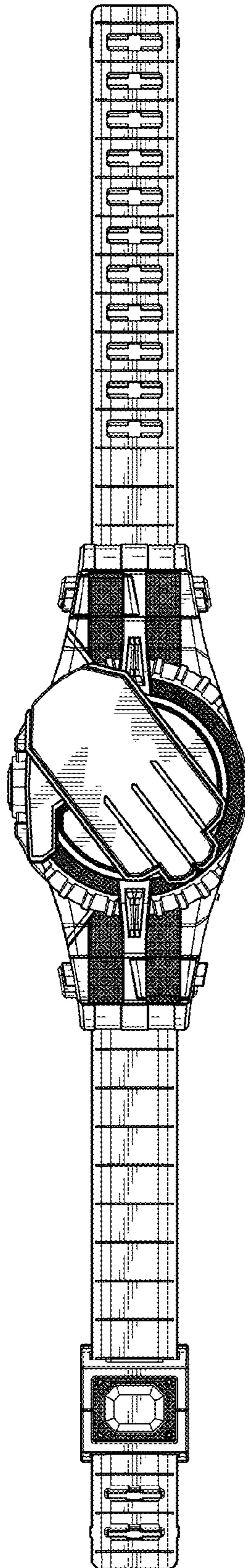


FIG. 3

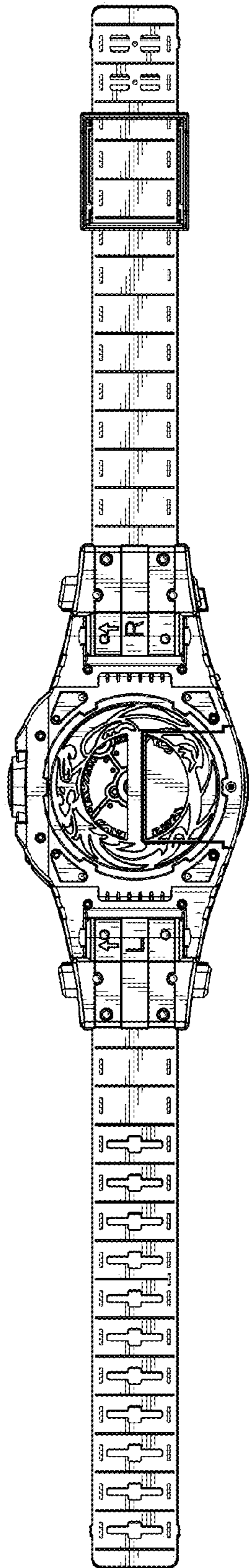


FIG. 4

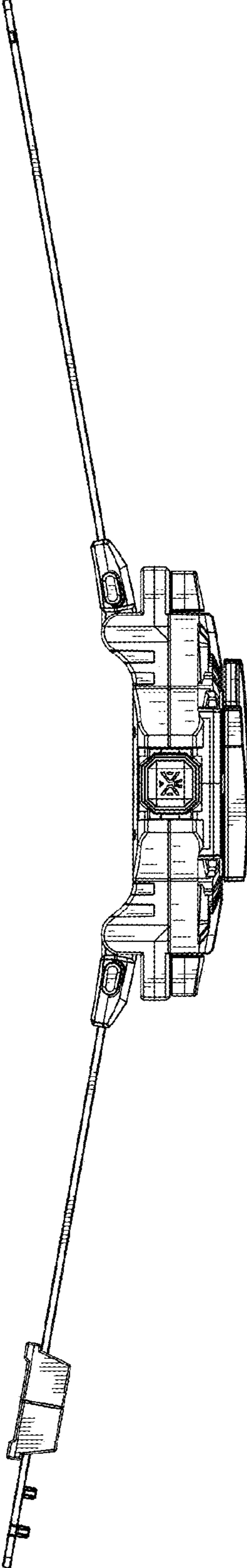


FIG. 5

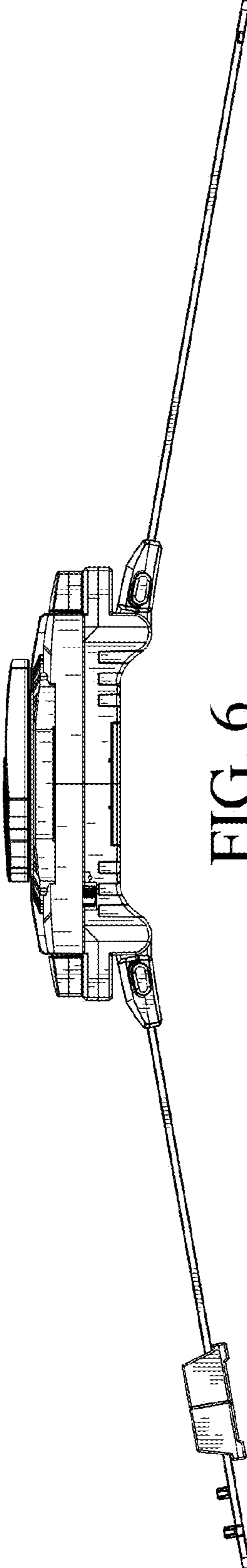


FIG. 6

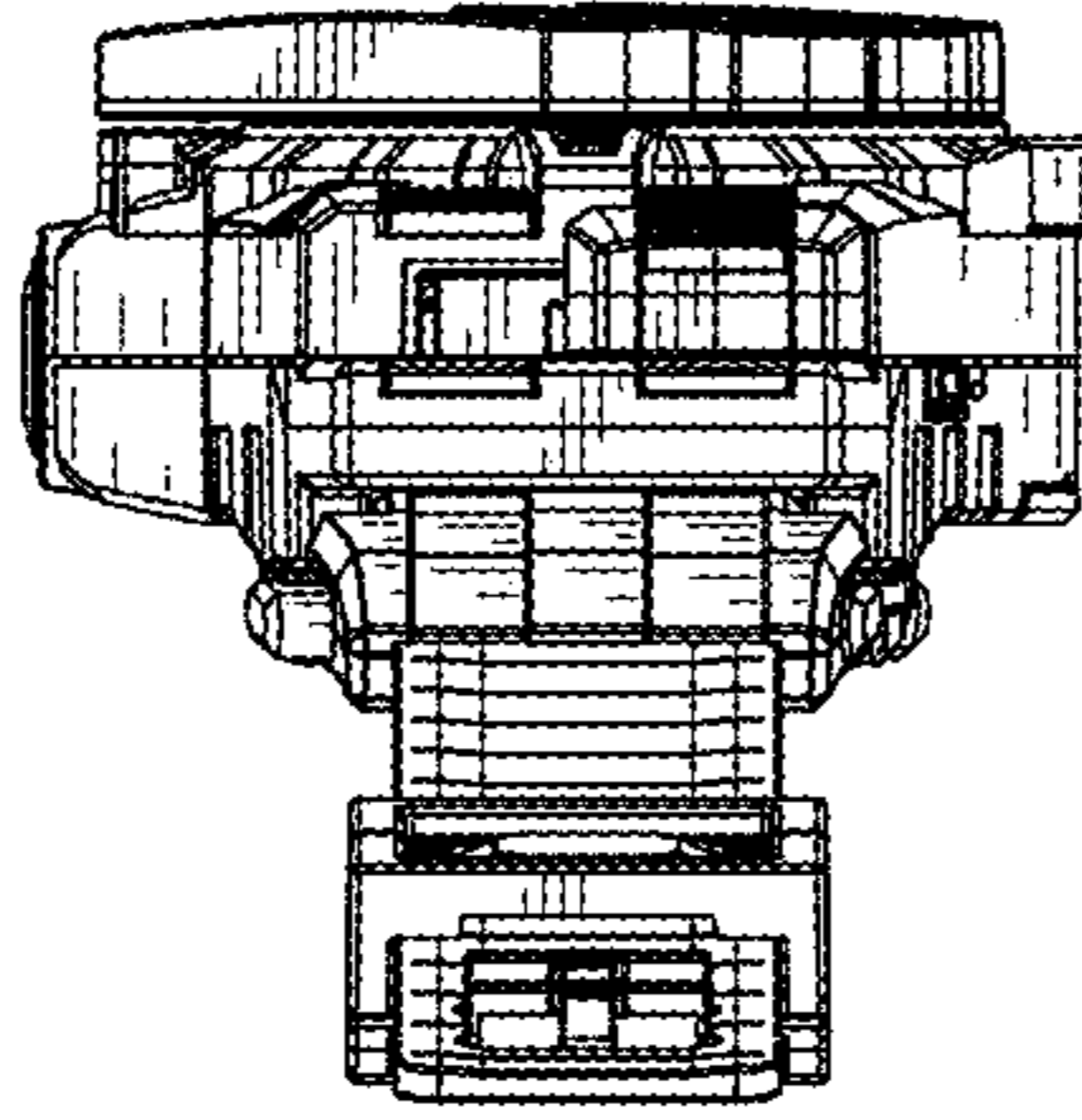


FIG. 8

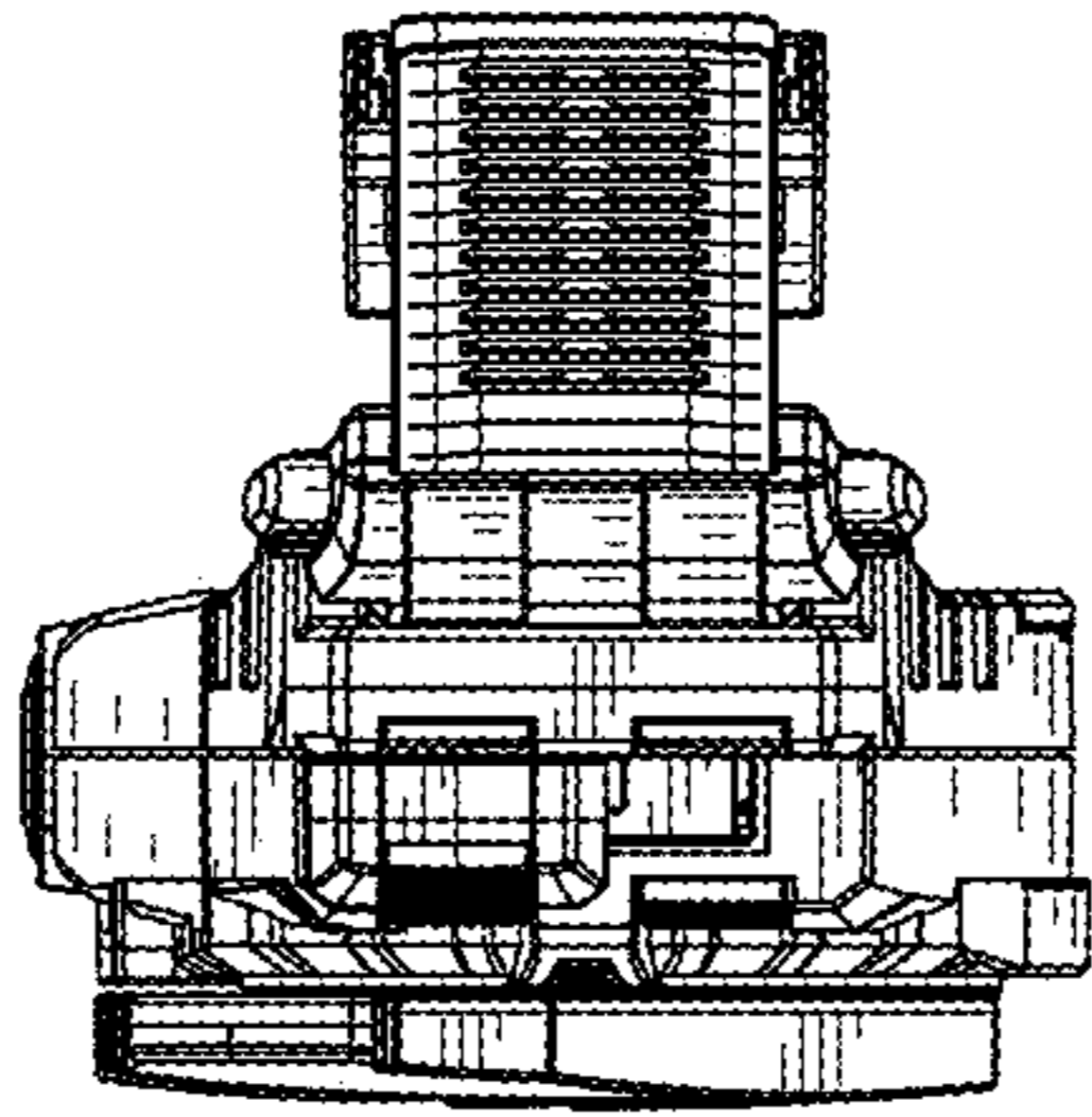


FIG. 7

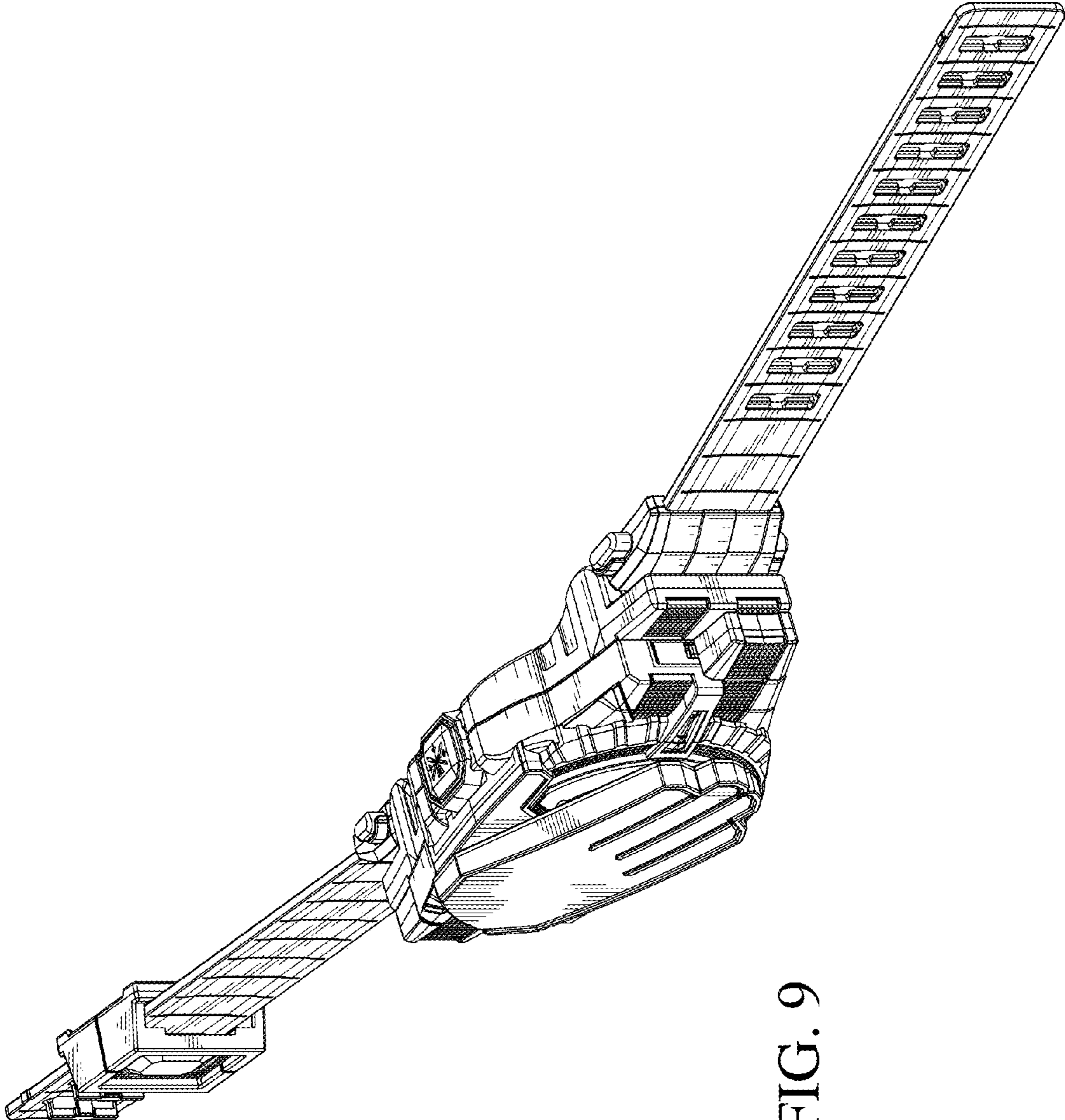


FIG. 9

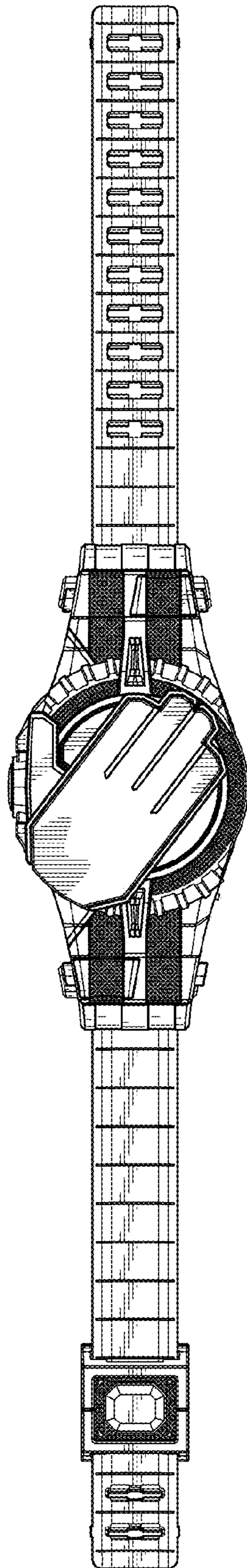


FIG. 10