



US00D722649S

(12) **United States Design Patent**
Sumii

(10) **Patent No.:** **US D722,649 S**
(45) **Date of Patent:** **** Feb. 17, 2015**

- (54) **CRADLE**
- (71) Applicant: **Sony Computer Entertainment Inc.,**
Tokyo (JP)
- (72) Inventor: **Tetsu Sumii, Tokyo (JP)**
- (73) Assignee: **Sony Computer Entertainment Inc.,**
Tokyo (JP)
- (**) Term: **14 Years**
- (21) Appl. No.: **29/475,808**
- (22) Filed: **Dec. 6, 2013**
- (51) **LOC (10) Cl.** **21-01**
- (52) **U.S. Cl.**
USPC **D21/333; D14/434**
- (58) **Field of Classification Search**
USPC D21/324, 328, 333; D14/433, 434, 447,
D14/356; 273/148 B, 148 R; 463/46, 47;
379/454, 455; 361/679, 686;
345/156-161
See application file for complete search history.

6,647,248	B1 *	11/2003	Ortscheid et al.	455/575.1
6,667,881	B2 *	12/2003	Oross et al.	361/679.4
D507,794	S *	7/2005	Wang et al.	D14/434
7,145,603	B2 *	12/2006	Whitby et al.	348/375
D535,612	S *	1/2007	Chien	D13/107
D575,350	S *	8/2008	Ashida et al.	D21/333
7,643,283	B2 *	1/2010	Jubelirer et al.	361/679.41
D647,525	S *	10/2011	Seto	D14/434
D676,377	S *	2/2013	Nokuo	
D709,893	S *	7/2014	Sale et al.	D14/434

* cited by examiner

Primary Examiner — Prabhakar Deshmukh

(74) *Attorney, Agent, or Firm* — Rader, Fishman & Grauer
PLLC

(57) **CLAIM**

The ornamental design for a cradle, as shown and described.

DESCRIPTION

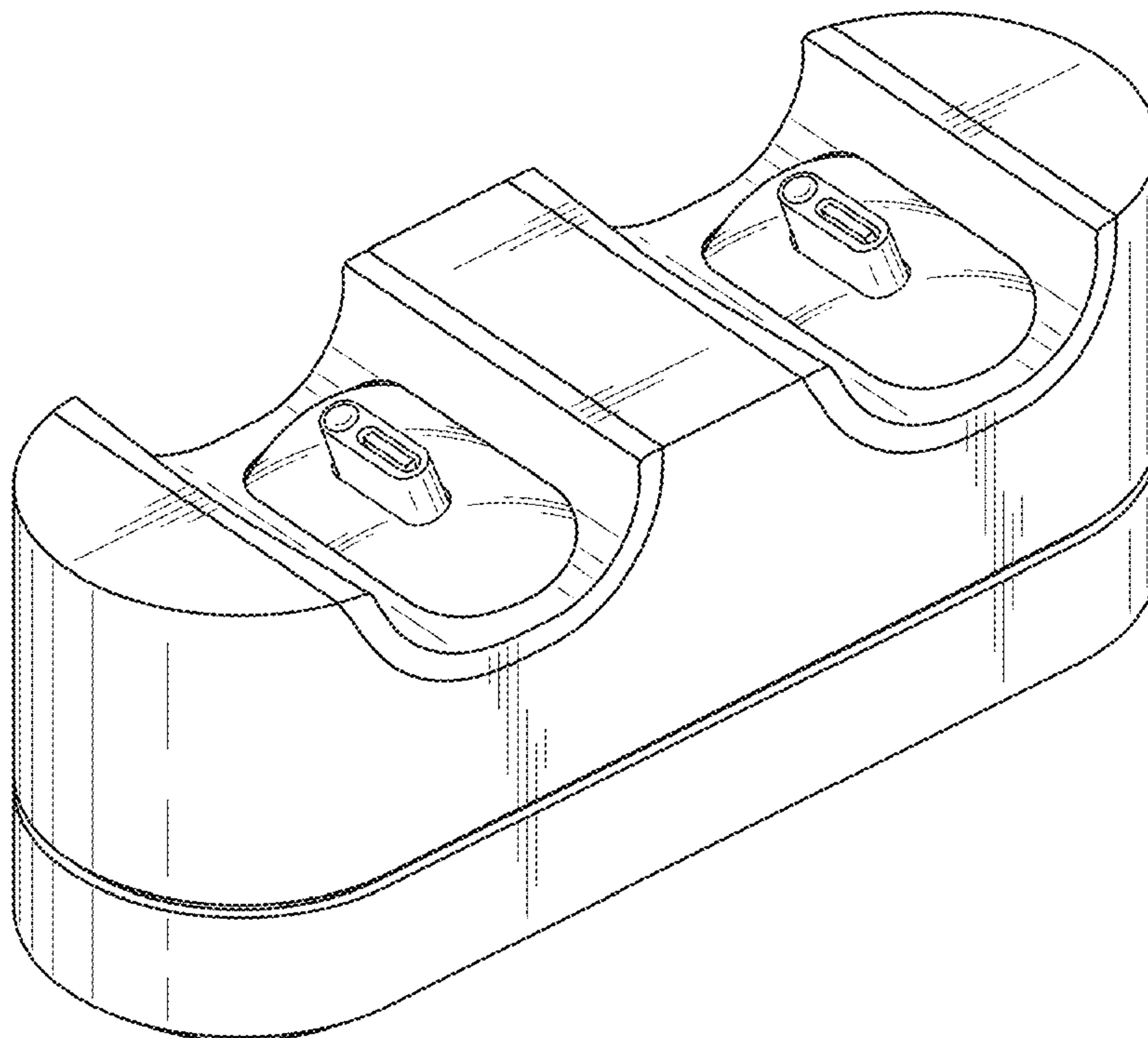
FIG. 1 is a rear, top, left perspective view of a cradle showing my new design;
 FIG. 2 is a rear, bottom, right perspective view thereof;
 FIG. 3 is a front view thereof;
 FIG. 4 is a rear view thereof;
 FIG. 5 is a left side view thereof;
 FIG. 6 is a right side view thereof;
 FIG. 7 is a top view thereof; and,
 FIG. 8 is a bottom view thereof.

(56) **References Cited**

U.S. PATENT DOCUMENTS

D457,193	S *	5/2002	Brulotte et al.	D21/333
D462,398	S *	9/2002	Hussaini et al.	D21/333

1 Claim, 4 Drawing Sheets



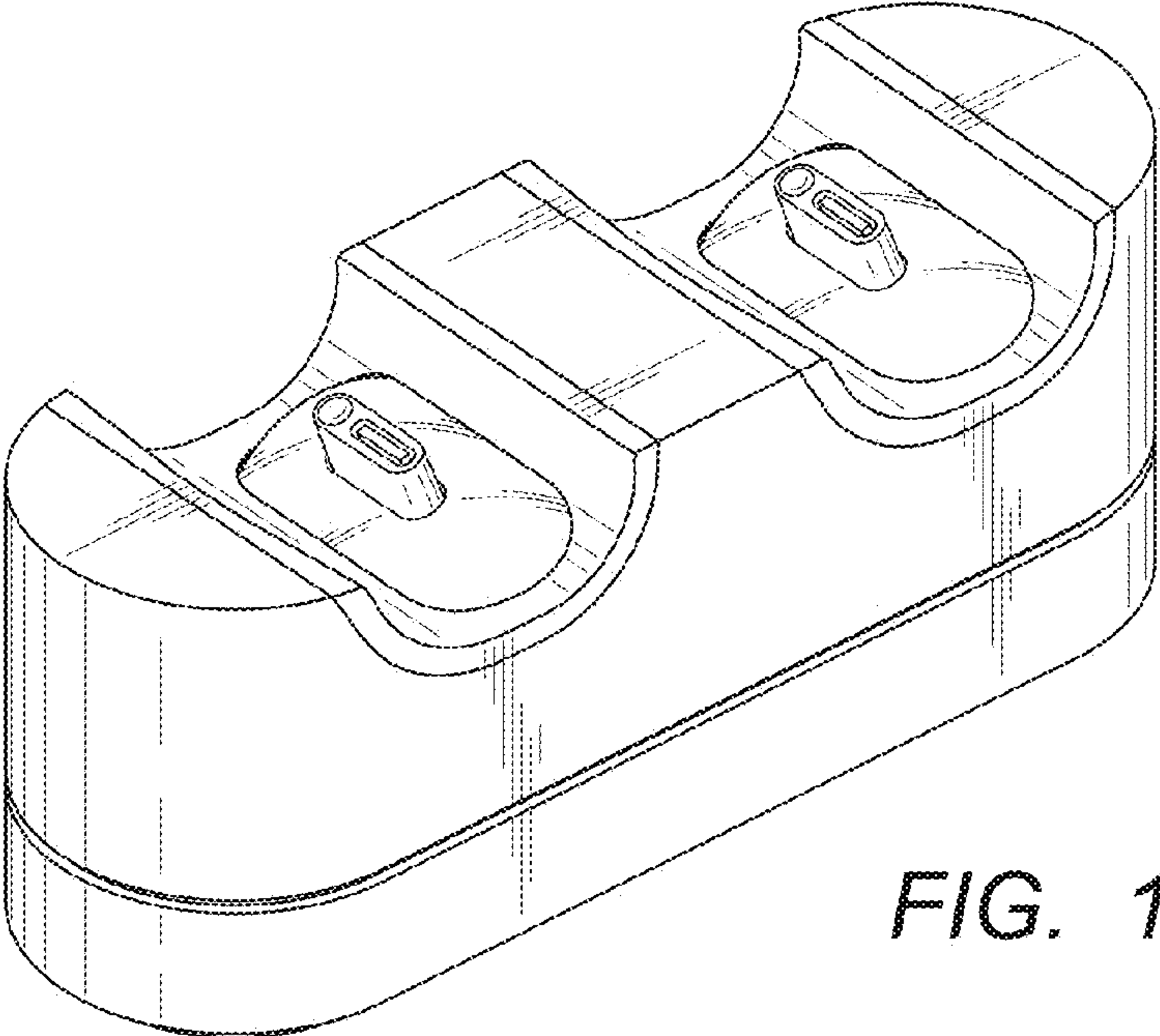


FIG. 1

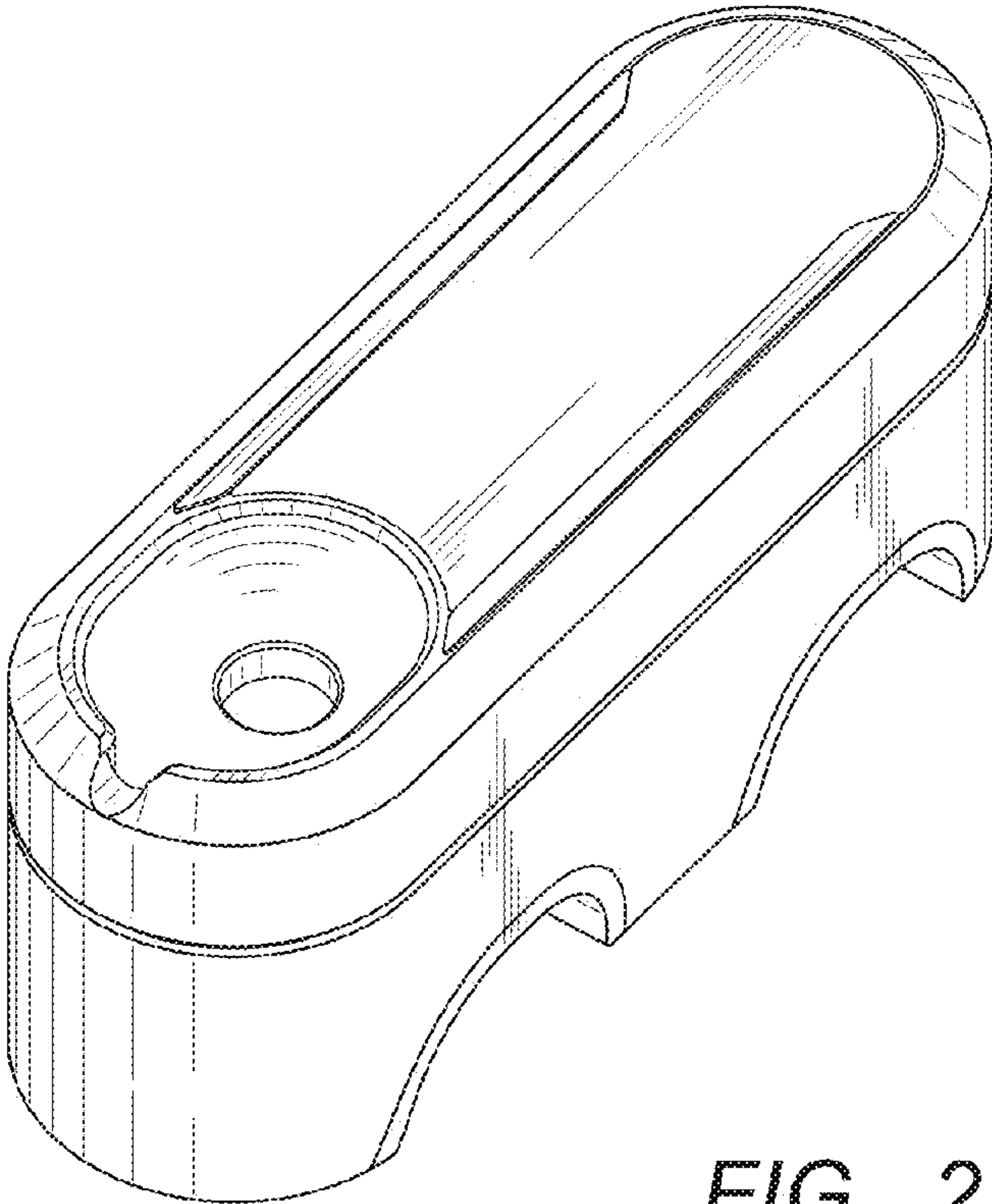


FIG. 2

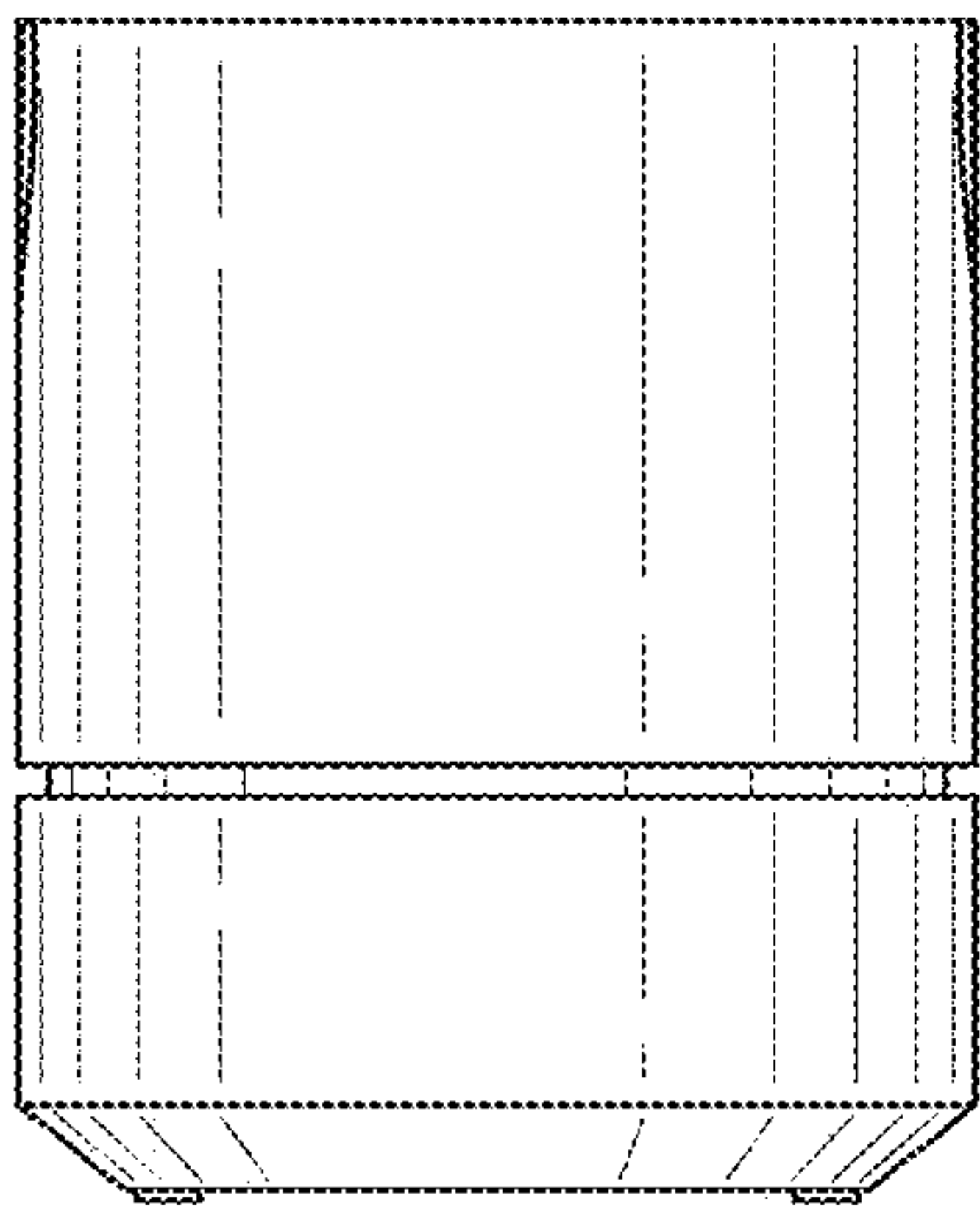


FIG. 3

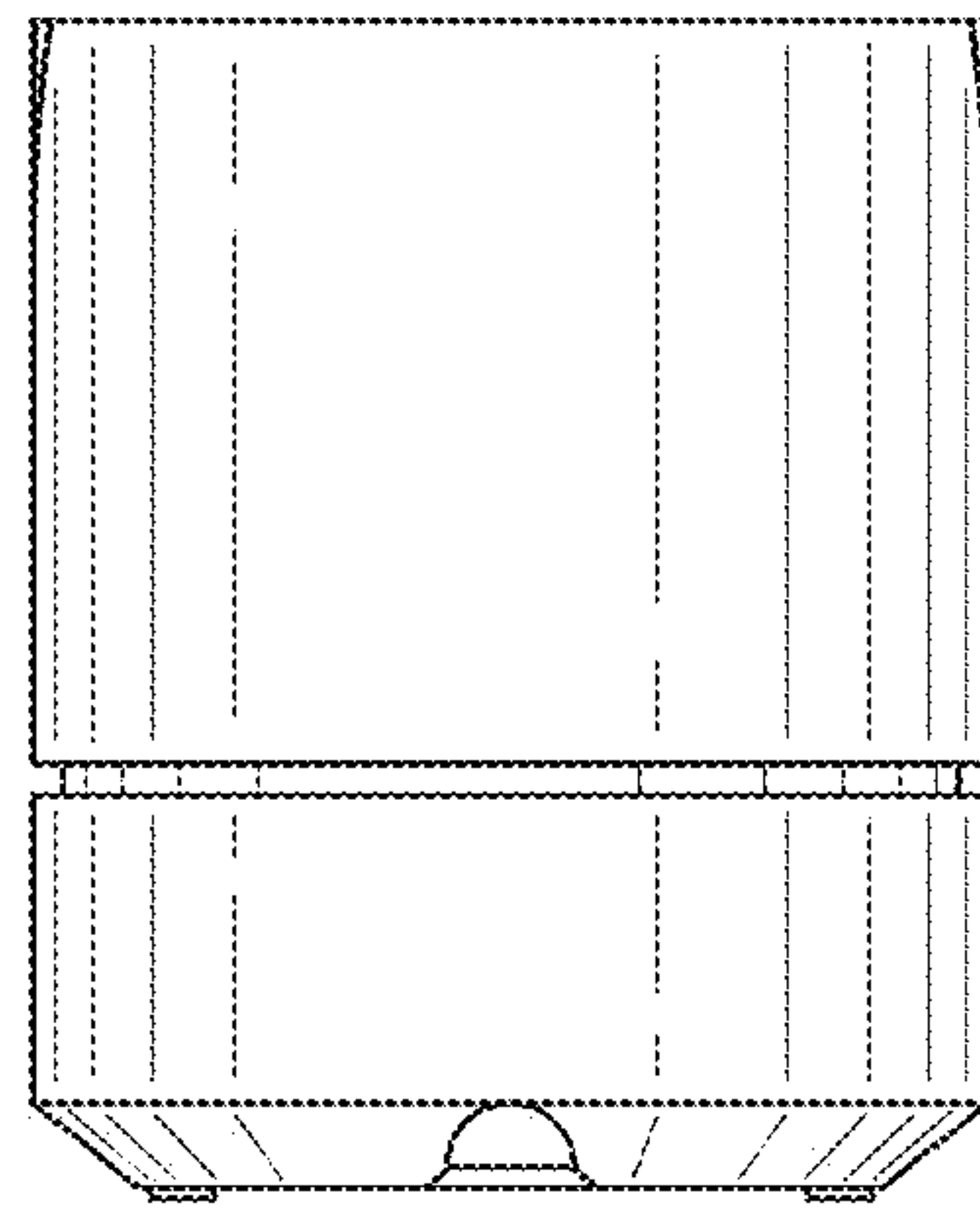


FIG. 4

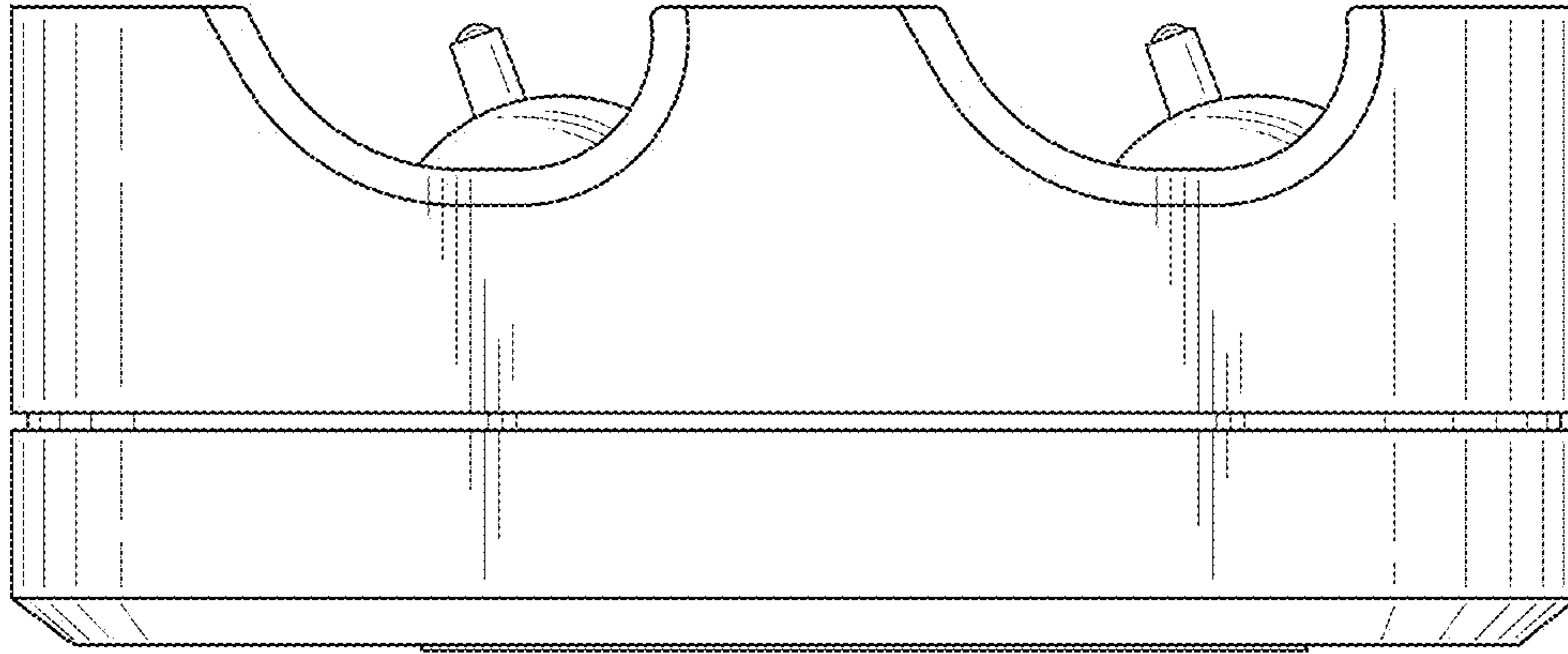


FIG. 5

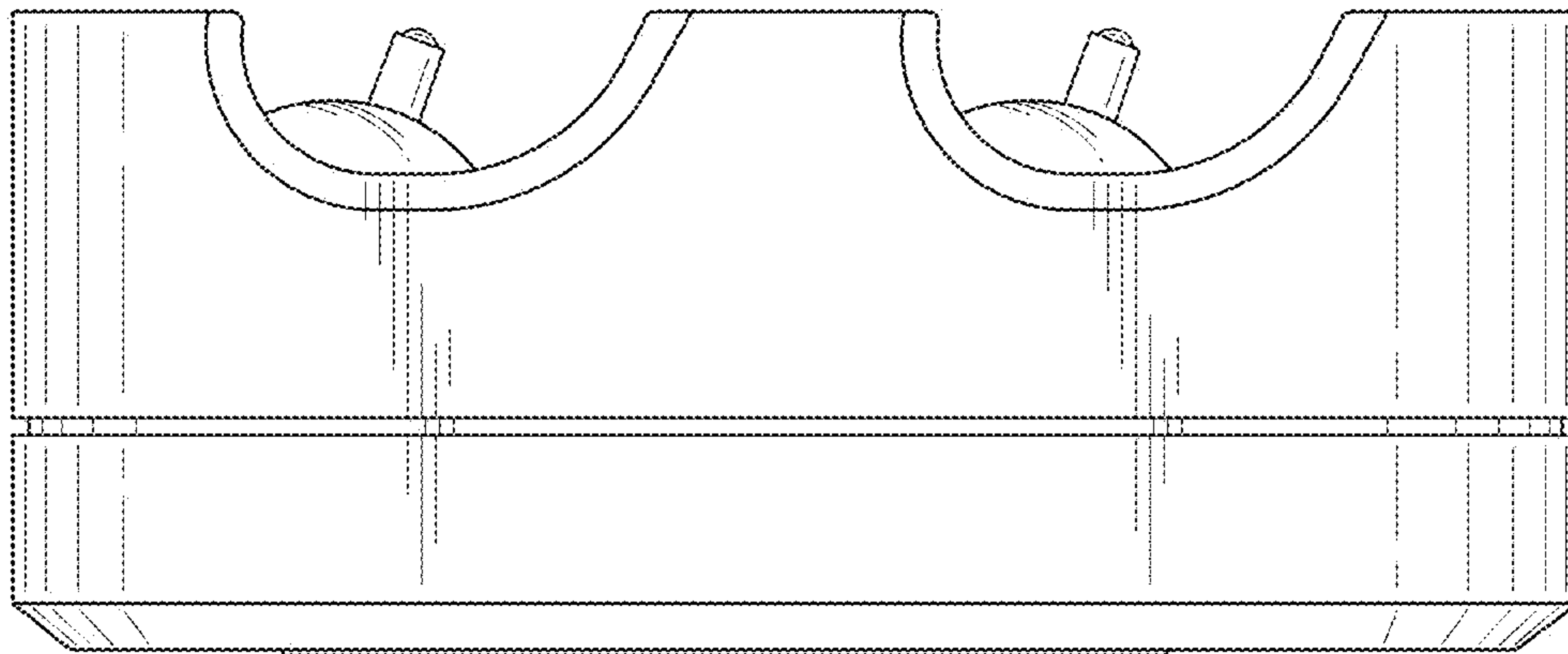


FIG. 6

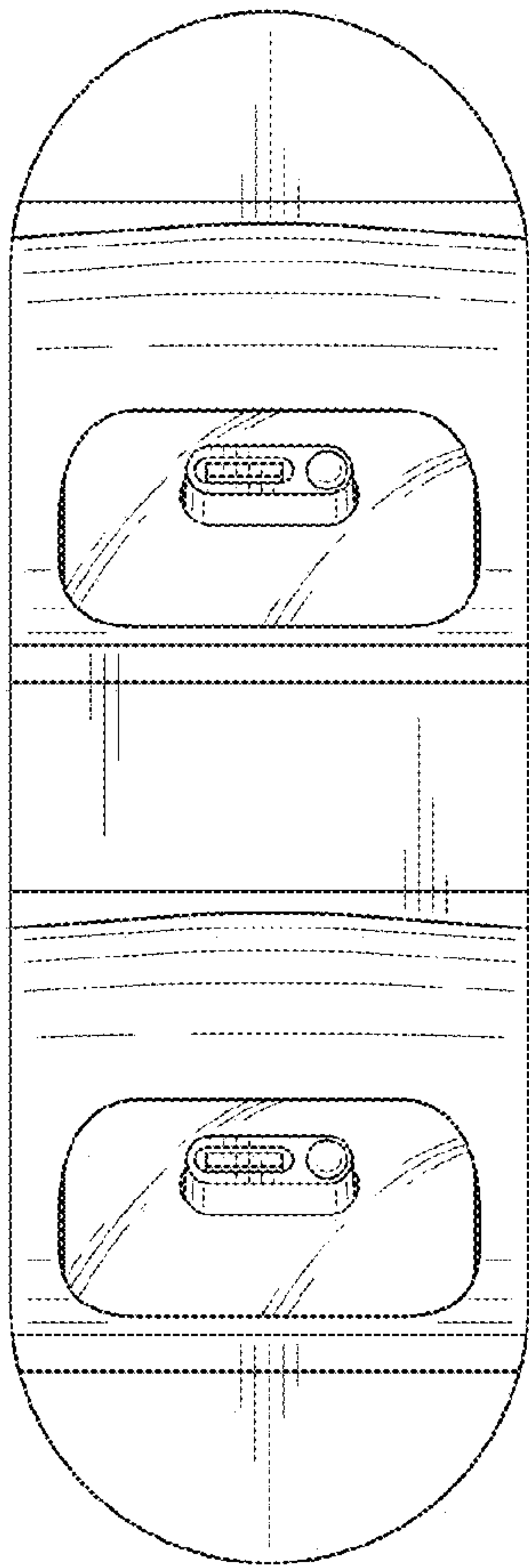


FIG. 7

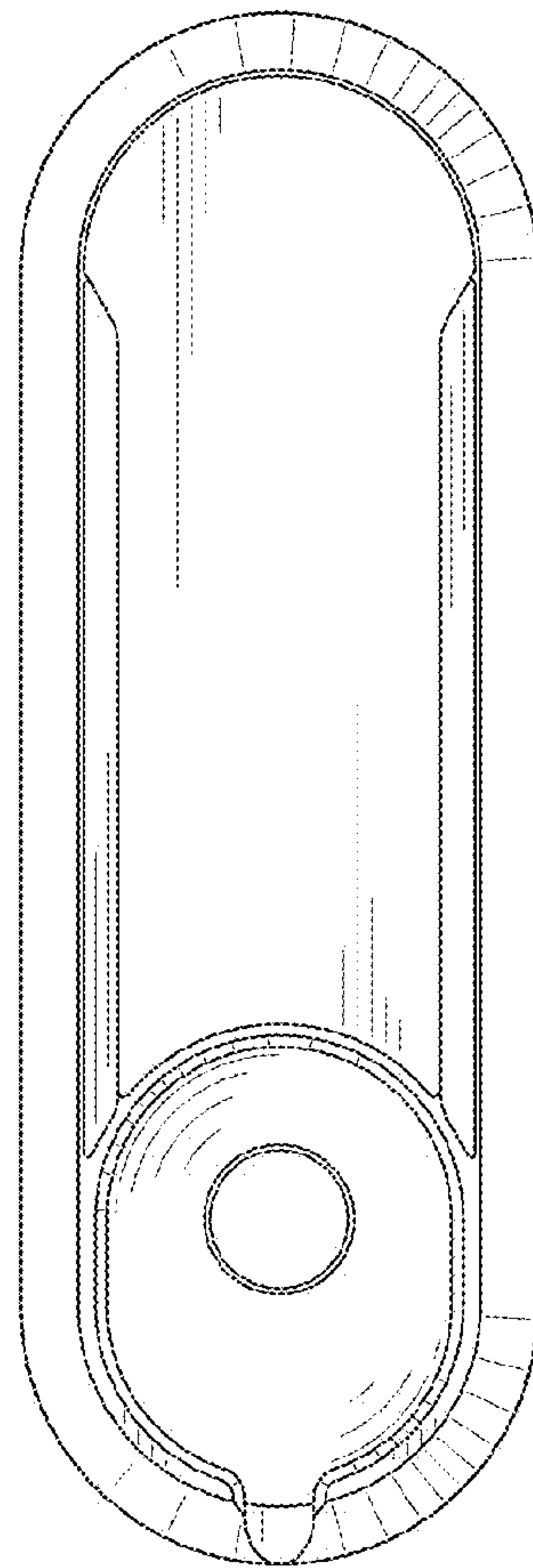


FIG. 8

UNITED STATES PATENT AND TRADEMARK OFFICE
CERTIFICATE OF CORRECTION

PATENT NO. : D722,649 S
APPLICATION NO. : 29/475808
DATED : February 17, 2015
INVENTOR(S) : Tetsu Sumii

Page 1 of 1

It is certified that error appears in the above-identified patent and that said Letters Patent is hereby corrected as shown below:

On the Title Page

Item (30) insert:

--June 7, 2013 (JP)D2013-012879--

Signed and Sealed this
Twenty-first Day of July, 2015



Michelle K. Lee
Director of the United States Patent and Trademark Office