



US00D722647S

(12) **United States Design Patent**
Summers

(10) **Patent No.:** **US D722,647 S**
(45) **Date of Patent:** **** Feb. 17, 2015**

- (54) **PERFORATED INFORMATION CARD FOR CORELESS ROLLS OF MATERIAL**
- (71) Applicant: **Floyd Wayne Summers**, Fayetteville, AR (US)
- (72) Inventor: **Floyd Wayne Summers**, Fayetteville, AR (US)
- (**) Term: **14 Years**
- (21) Appl. No.: **29/432,681**
- (22) Filed: **Sep. 19, 2012**
- (51) **LOC (10) Cl.** **40-02**
- (52) **U.S. Cl.**
USPC **D20/40; D20/27**
- (58) **Field of Classification Search**
CPC G09F 3/00; G09F 3/04; G09F 3/06; G09F 3/08; G09F 3/10; G09F 3/0288; G09F 3/0289; G09F 3/0295; G09F 3/0297; G09F 3/0298; G09F 1/00; G09F 1/02; G09F 1/04; G09F 11/00; G09F 23/00; G09F 2001/00; G09F 2003/00; G09F 2003/0025; G09B 29/00; G09B 29/02; B42D 15/00
USPC D20/10, 11, 19, 22-28, 40, 99; 40/1.5, 40/5, 6, 124.01-124.09, 124.11-124.19, 40/124.191, 299.01, 306, 307, 309-313, 40/626, 630, 641, 675; D19/1, 9, 10, 11; 283/51, 56, 71, 81, 103-105; 428/40.1, 428/42.1-42.3
See application file for complete search history.

(56) **References Cited**

U.S. PATENT DOCUMENTS

345,443	A *	7/1886	Mosely	40/625
376,848	A *	1/1888	Beers	283/63.1
399,395	A *	3/1889	Fogel	40/309
1,346,372	A *	7/1920	Fisher et al.	283/116
4,930,234	A *	6/1990	Schmidt	40/1.5
5,468,021	A *	11/1995	Ovadia	283/56
5,853,837	A *	12/1998	Popat	428/43
5,866,183	A *	2/1999	Small	426/383

6,209,918	B1 *	4/2001	Christopherson	283/51
D504,159	S *	4/2005	Best et al.	D20/27
D565,111	S *	3/2008	Lau	D19/65
7,815,047	B2 *	10/2010	Trimarco	206/427

(Continued)

OTHER PUBLICATIONS

www.zeronine.com/coreidcards.html; Core ID Cards.

Primary Examiner — Mary Ann Calabrese

(74) *Attorney, Agent, or Firm* — Head, Johnson & Kachigian, P.C.

(57) **CLAIM**

The ornamental design for a perforated information card for coreless rolls of material, as shown and described.

DESCRIPTION

FIG. 1 is a front elevation view of a perforated information card for coreless rolls of material showing the claimed design, wherein the dotted broken lines of the drawing represent perforations;

FIG. 2 is a top elevation view thereof;

FIG. 3 is a bottom elevation view thereof;

FIG. 4 is a side elevation view thereof;

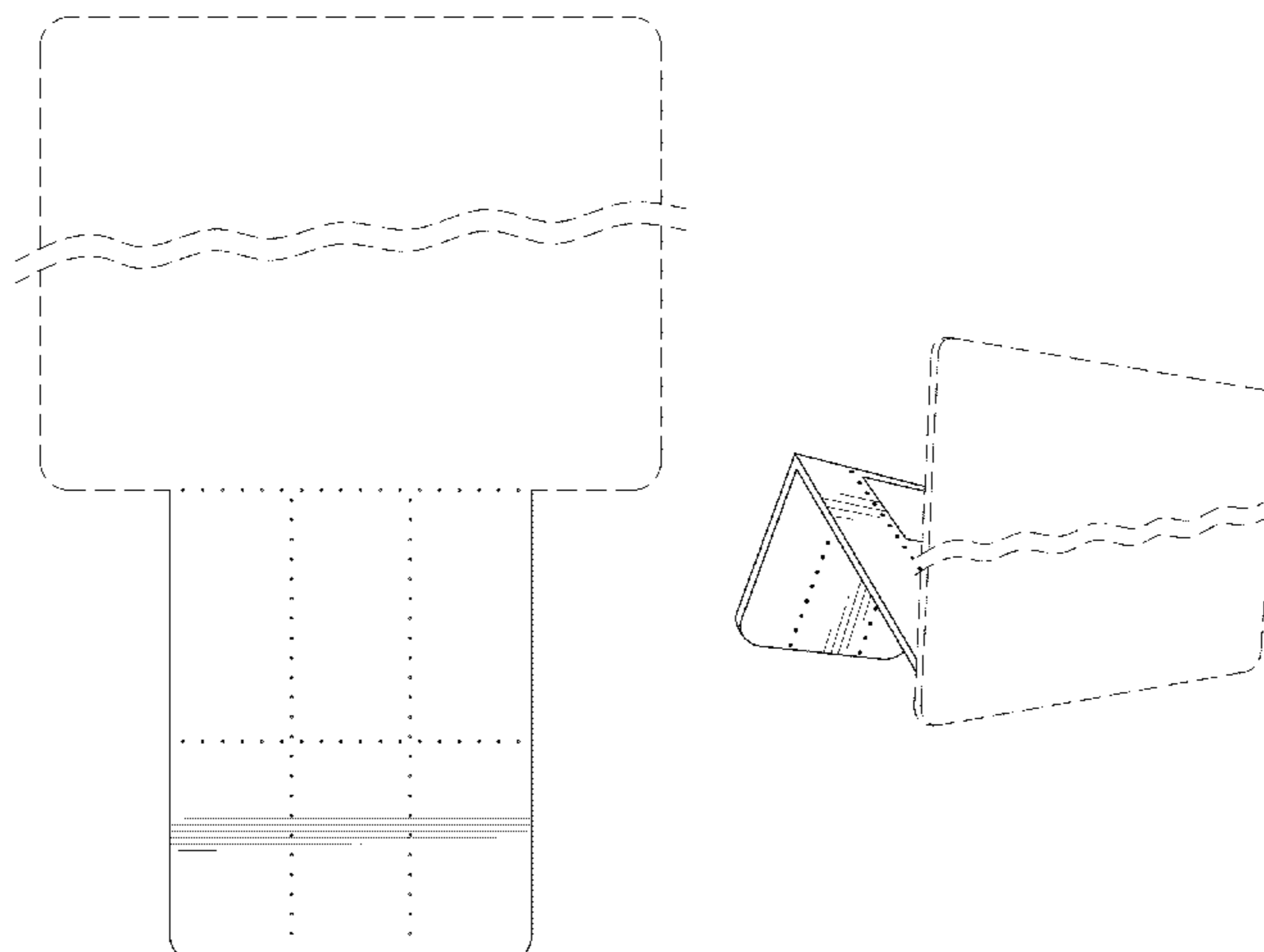
FIG. 5 is a rear elevation view thereof, wherein the dotted broken lines of the drawing represent perforations;

FIG. 6 is a perspective view of the perforated information card of FIG. 1 shown in use, the dashed broken lines represent the environment in which the design resides and forms no part of the claim, and the dotted broken lines represent perforations; and,

FIG. 7 is a perspective view of the perforated information card of FIG. 1 shown in use, wherein the dashed broken lines represent the environment in which the design resides and forms no part of the claim, and the dotted broken lines represent perforations.

The dotted broken lines shown in FIGS. 1 and 5-7 of the drawing represent perforations. The dashed broken lines of the drawing are for illustrative purposes only and form no part of the claimed design.

1 Claim, 3 Drawing Sheets



US D722,647 S

Page 2

(56)

References Cited

U.S. PATENT DOCUMENTS

8,333,025 B2 * 12/2012 Peterson et al. 40/1.5
2009/0026755 A1 * 1/2009 Schmidt 283/81

D641,792 S * 7/2011 Turner et al. D20/40 * cited by examiner



FIG. 2

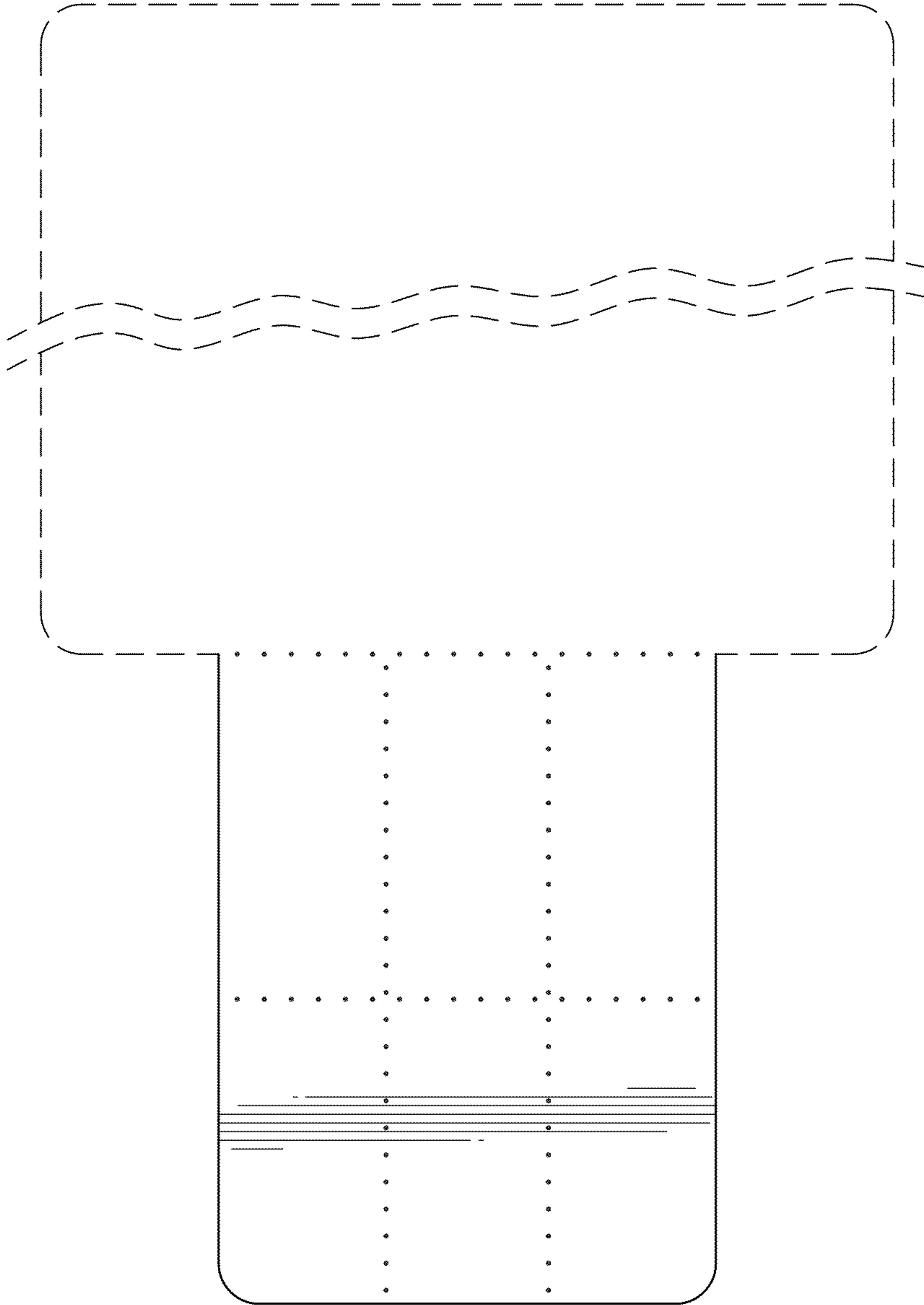


FIG. 1

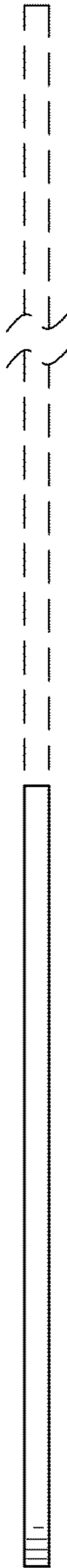


FIG. 4



FIG. 3

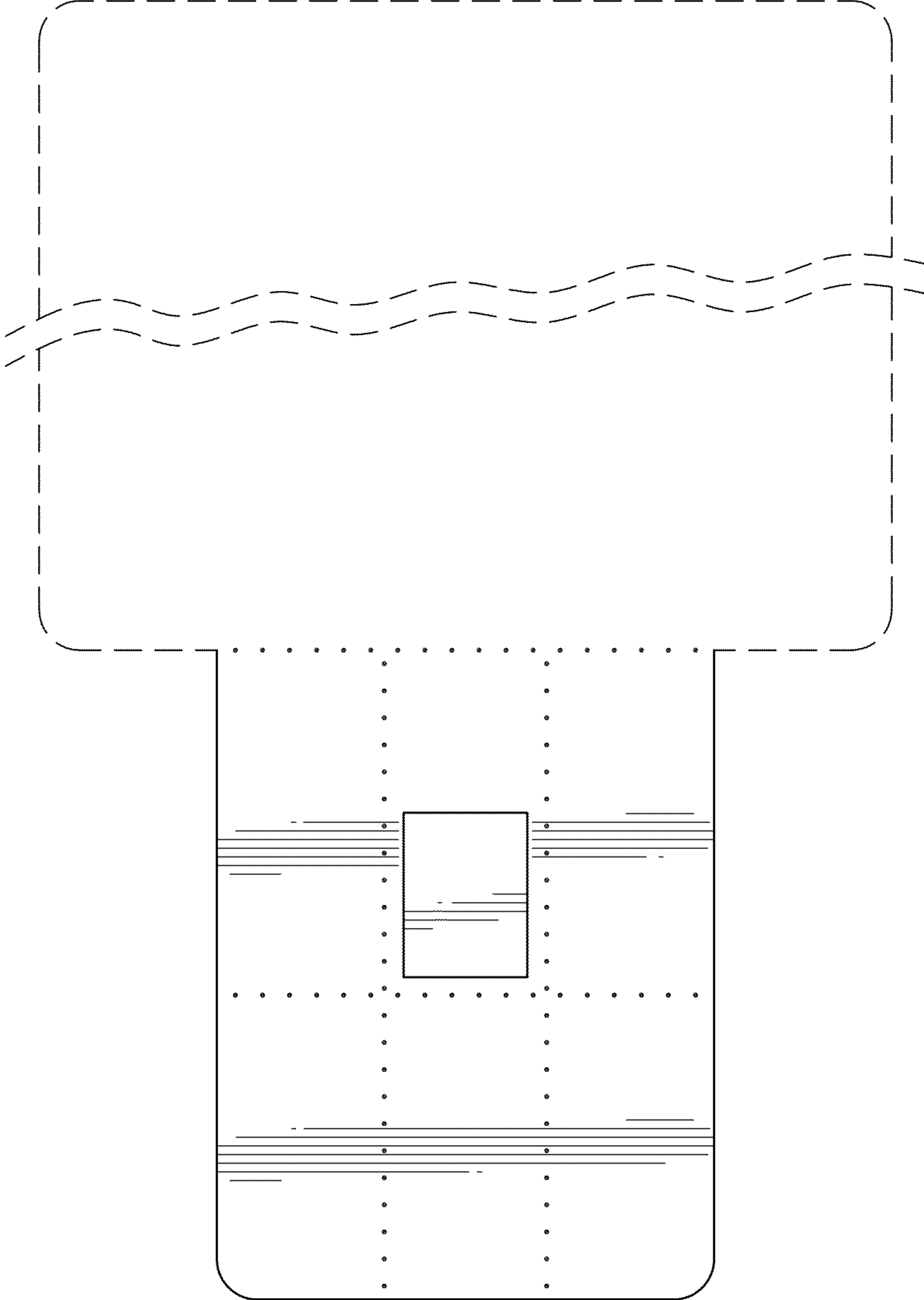


FIG. 5

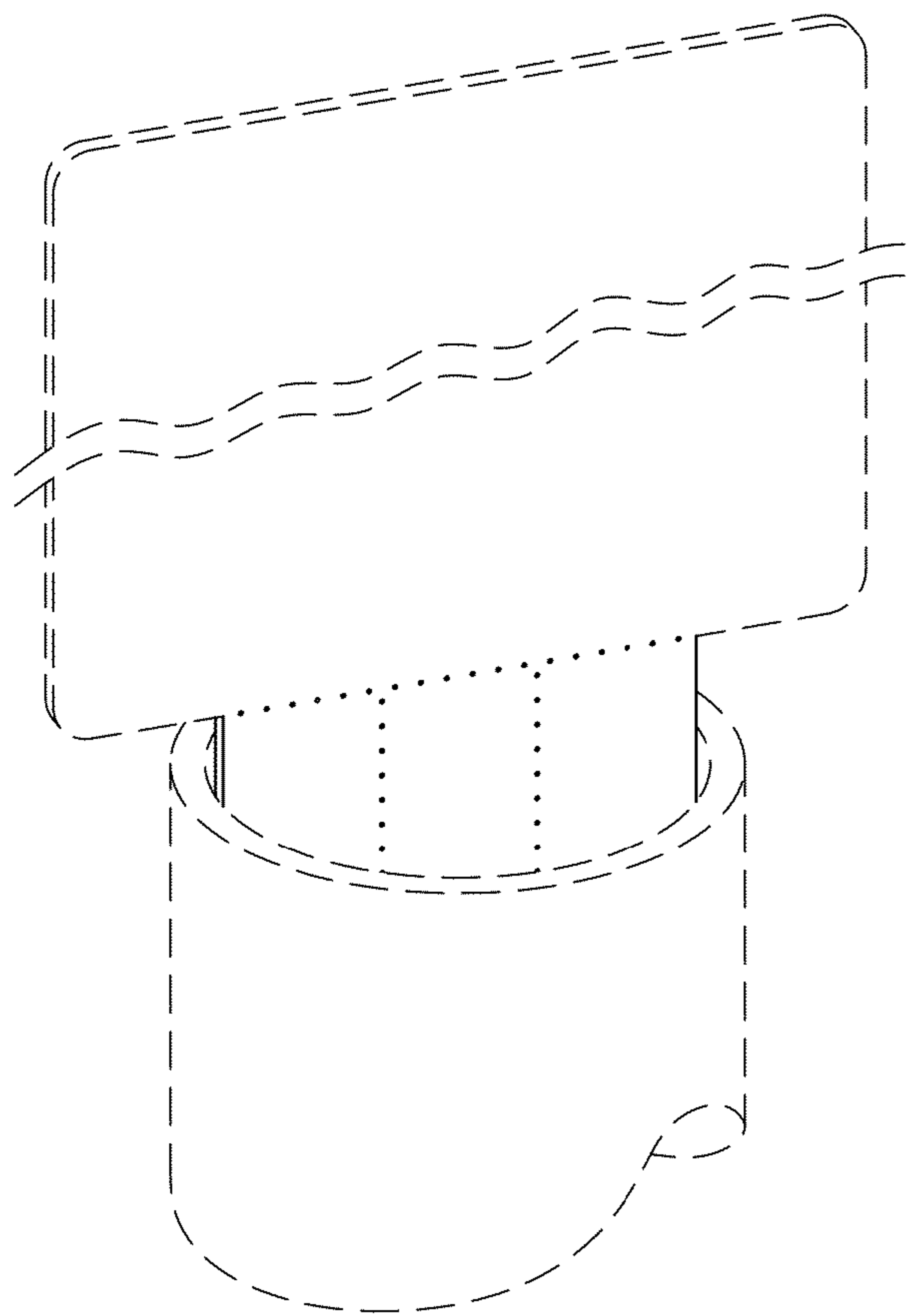


FIG. 6

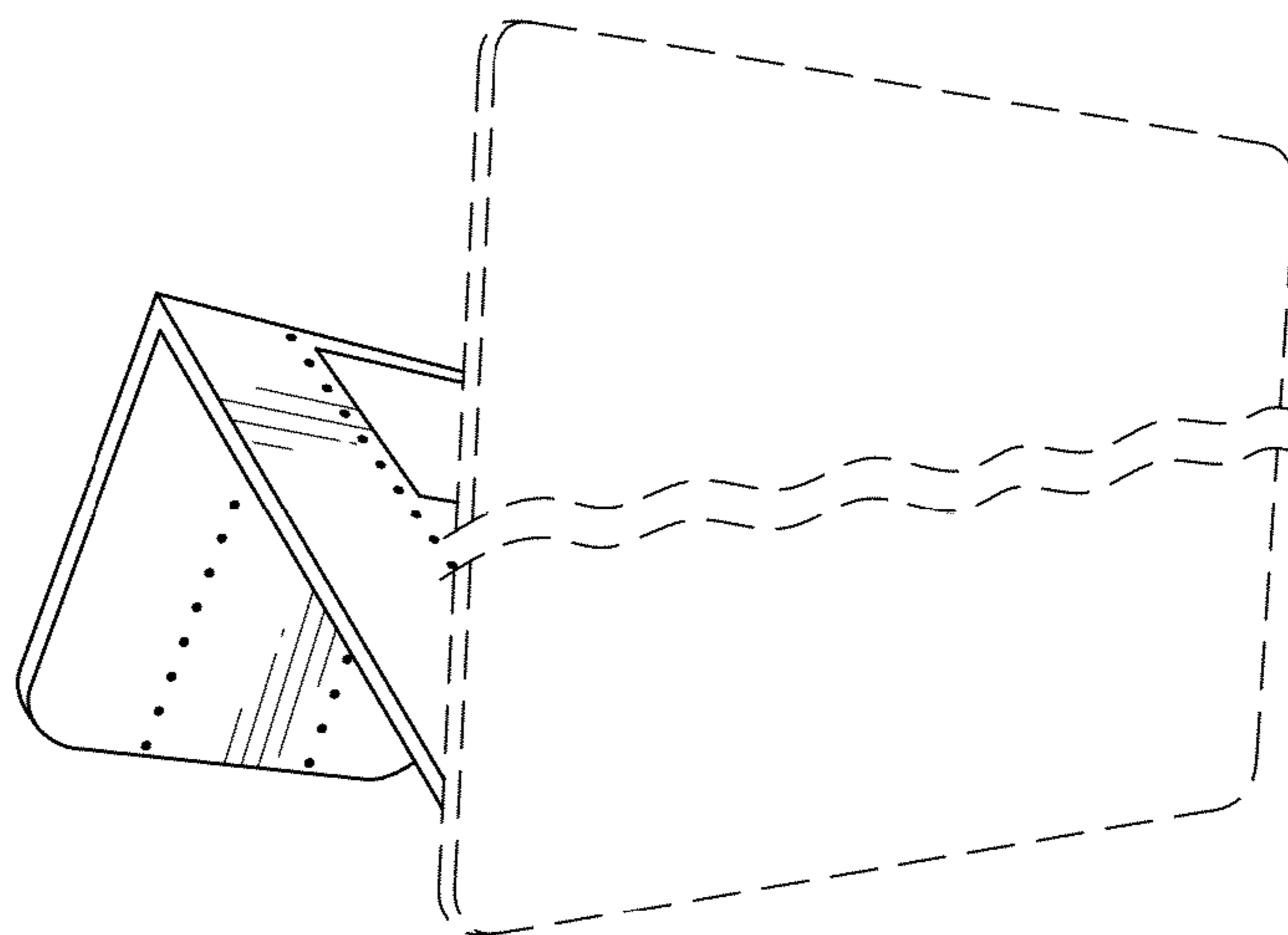


FIG. 7