



US00D722644S

(12) **United States Design Patent**
Scott

(10) **Patent No.:** **US D722,644 S**

(45) **Date of Patent:** **** Feb. 17, 2015**

(54) **BUSINESS CARD HOLDER**

(71) Applicant: **Michael Edward Scott**, Memphis, TN
(US)

(72) Inventor: **Michael Edward Scott**, Memphis, TN
(US)

(**) Term: **14 Years**

(21) Appl. No.: **29/470,858**

(22) Filed: **Oct. 25, 2013**

(51) **LOC (10) Cl.** **19-02**

(52) **U.S. Cl.**
USPC **D19/91**

(58) **Field of Classification Search**
USPC D19/75-80, 86, 87, 89-92; 206/215,
206/425, 556, 557; 211/10, 11, 42, 45, 50,
211/88.01, 126.1; D6/683; D3/304
See application file for complete search history.

(56) **References Cited**

U.S. PATENT DOCUMENTS

D113,402 S *	2/1939	Schram	D3/266
D223,163 S *	3/1972	Gray	D6/475
D247,342 S *	2/1978	Silver	D32/52
D286,485 S *	11/1986	Frizzell	D6/573
D298,835 S *	12/1988	Vukasinovich	D3/266

D310,760 S *	9/1990	Murphy	D6/515
5,005,709 A *	4/1991	Stokes	211/50
D444,816 S *	7/2001	Stravitz	D19/90
D485,307 S *	1/2004	Sheldon et al.	D19/90
D536,560 S *	2/2007	Hajianpour	D6/518
D556,407 S *	11/2007	Snell	D32/52
D606,348 S *	12/2009	White et al.	D6/553
D610,199 S *	2/2010	Liang	D19/86
D645,902 S *	9/2011	Tsai	D19/90

* cited by examiner

Primary Examiner — Elizabeth Albert

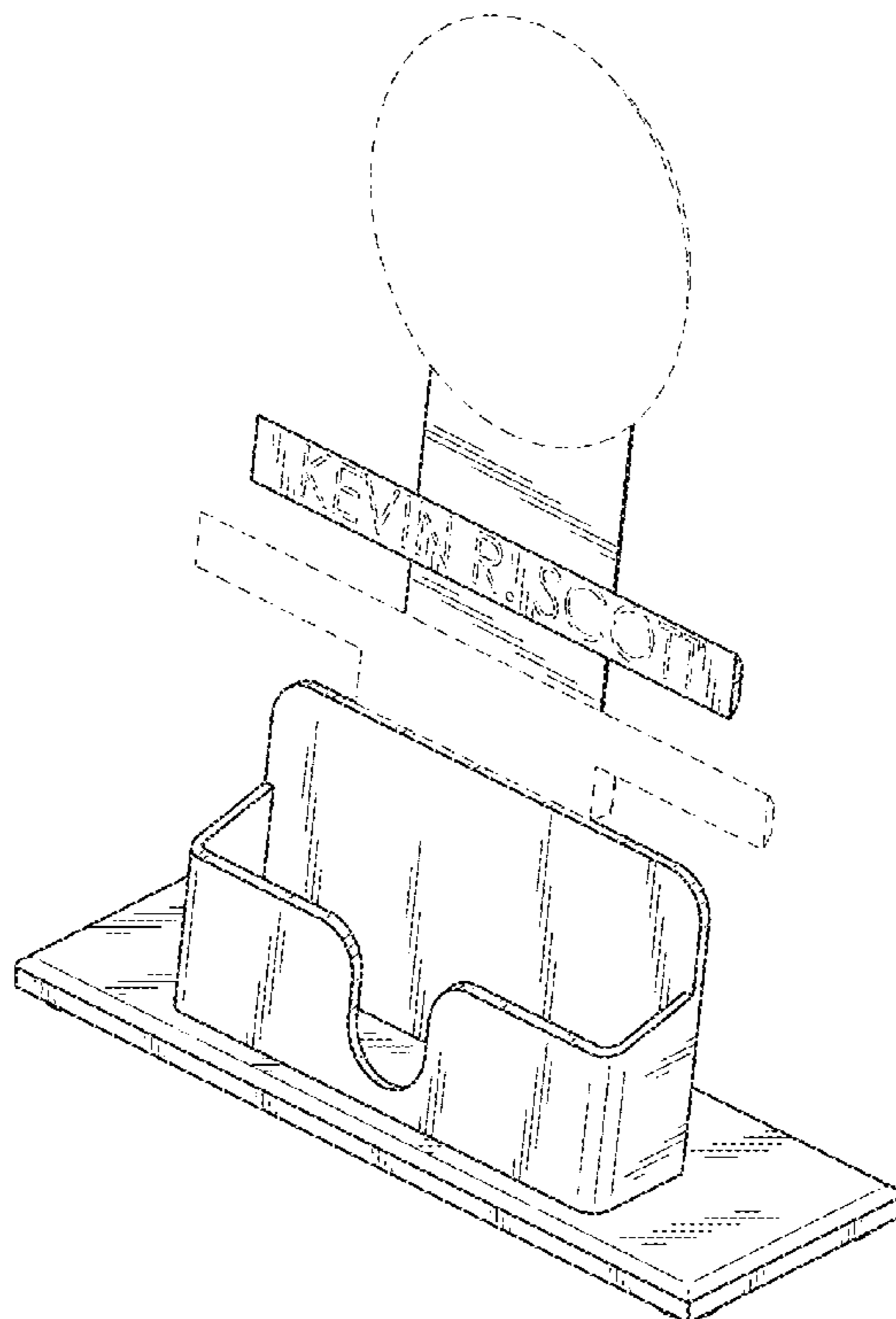
(57) **CLAIM**

The ornamental design for a business card holder, as shown and described.

DESCRIPTION

FIG. 1 is a perspective view of a business card holder showing my new design;
FIG. 2 is a front elevation view thereof;
FIG. 3 is a rear elevation view thereof;
FIG. 4 is a left side elevation view thereof; the right side elevation view being a mirror image of the left side view;
FIG. 5 is a top plan view thereof; and,
FIG. 6 is a bottom plan view thereof.
The broken lines are included for the purpose of showing portions of the business card holder that form no part of the claimed design.

1 Claim, 3 Drawing Sheets



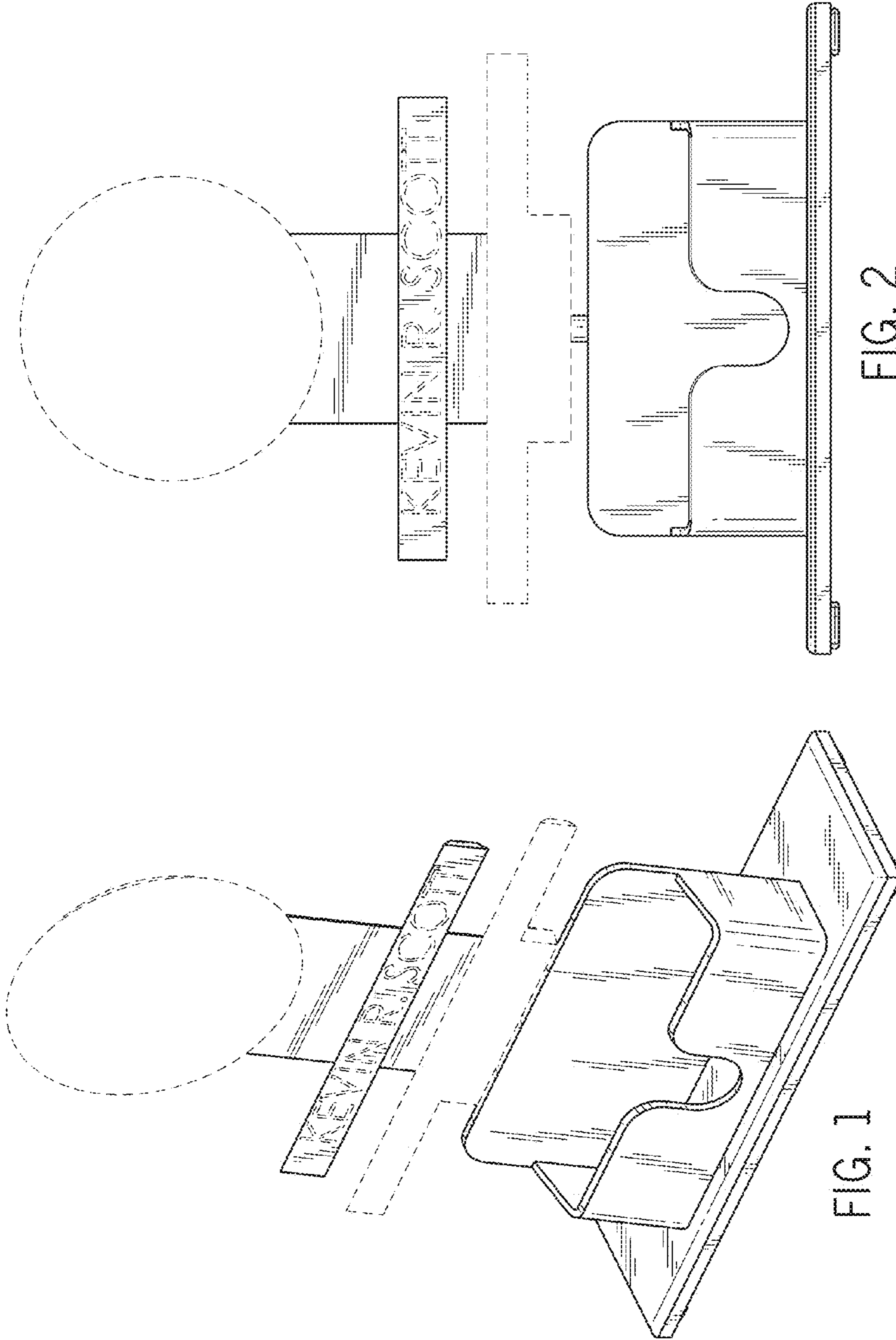


FIG. 1

FIG. 2

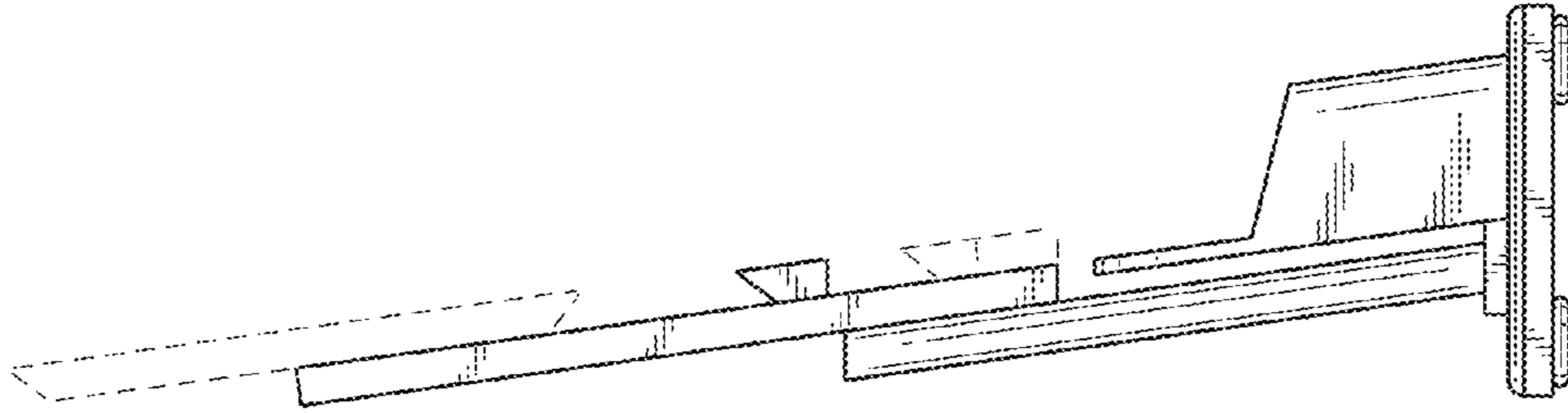


FIG. 4

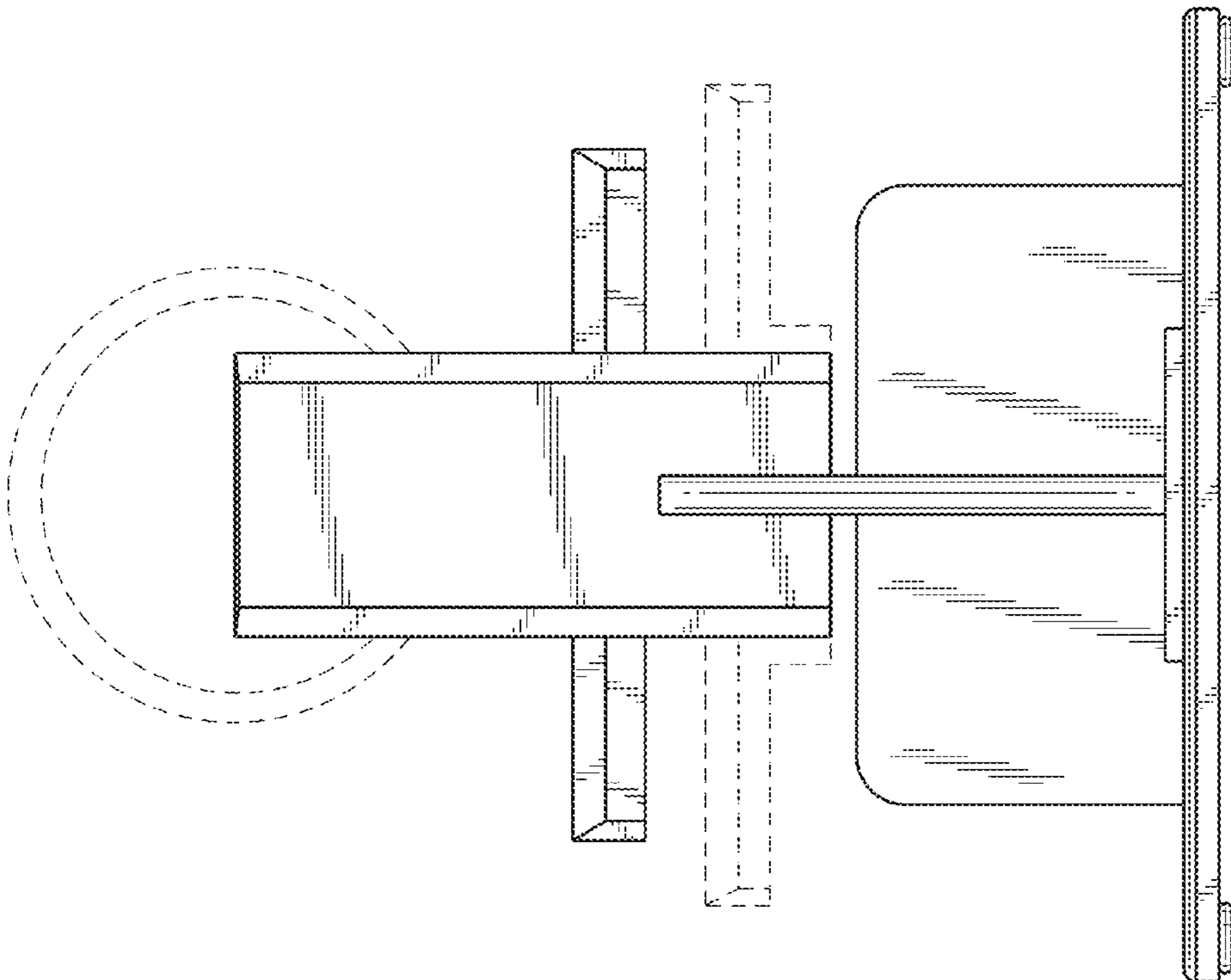


FIG. 3

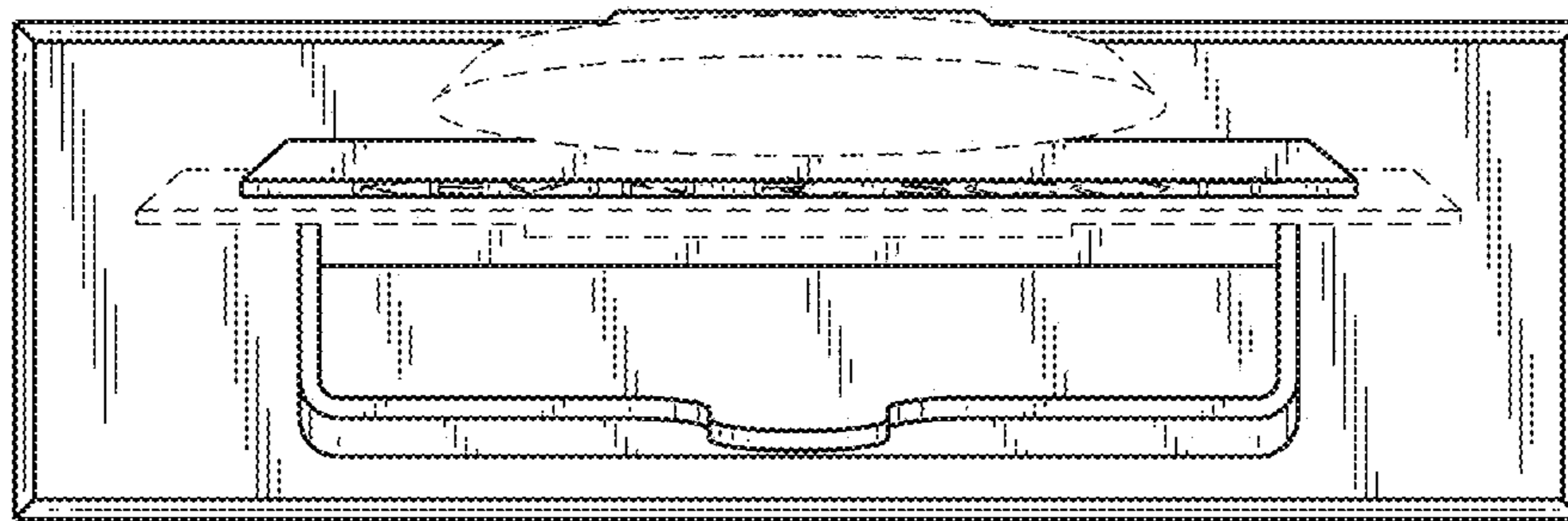


FIG. 5

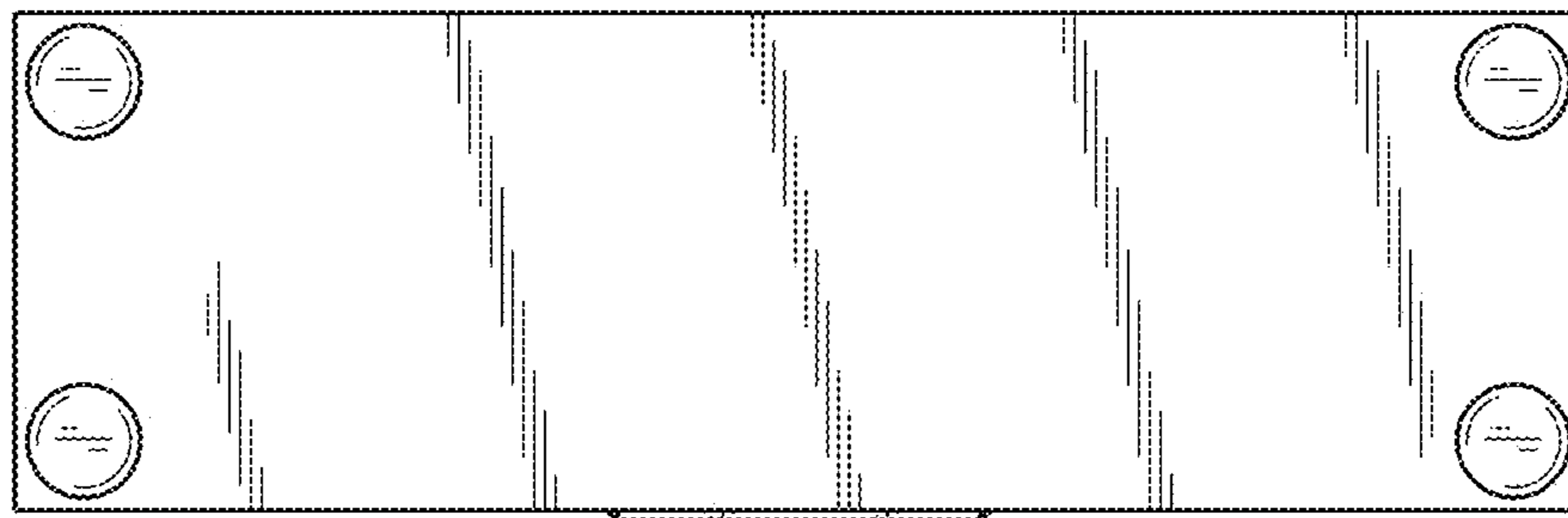


FIG. 6